



US00D887002S

(12) **United States Design Patent** (10) **Patent No.:** **US D887,002 S**
Geng (45) **Date of Patent:** **** Jun. 9, 2020**

(54) **MEDICAL PUNCTURE DEVICE**
(71) Applicant: **TianJin Uwell Medical Device Manufacturing Co., Ltd, Tianjin (CN)**
(72) Inventor: **Baogong Geng, Tianjin (CN)**
(73) Assignee: **TIANJIN UWELL MEDICAL DEVICE MANUFACTURING CO., LTD, Tianjin (CN)**

2009/0093835 A1* 4/2009 Heinrich A61B 17/3209
606/190
2010/0016878 A1* 1/2010 Smith A61B 17/3417
606/185
2011/0046449 A1* 2/2011 Minelli A61B 1/00128
600/205

(**) Term: **15 Years**
(21) Appl. No.: **29/656,509**

(22) Filed: **Jul. 13, 2018**
(51) **LOC (12) Cl.** **24-02**
(52) **U.S. Cl.**
USPC **D24/146**
(58) **Field of Classification Search**
USPC D24/127, 130, 133, 146, 147, 148;
128/848; 606/106, 108; D7/649; D8/93,
D8/97, 300, 310, 311, 313
CPC A61B 1/018; A61B 2017/2939; A61F
2210/0038; A61F 5/566
See application file for complete search history.

OTHER PUBLICATIONS

The Bladeless Trocar For Single Use http://www.uwellmed.com/PRODUCT-DETAILS.html?product_id=12 Accessed Sep. 29, 2019.*
The Bladeless Trocar for Single Use http://www.uwellmed.com/PRODUCT-DETAILS.html?product_id=14&product_category=9 Date Unknown.*

* cited by examiner

Primary Examiner — Samantha Q Lawrence
(74) *Attorney, Agent, or Firm* — Gokalp Bayramoglu

(57) **CLAIM**

The ornamental design for a medical puncture device, as shown and described.

DESCRIPTION

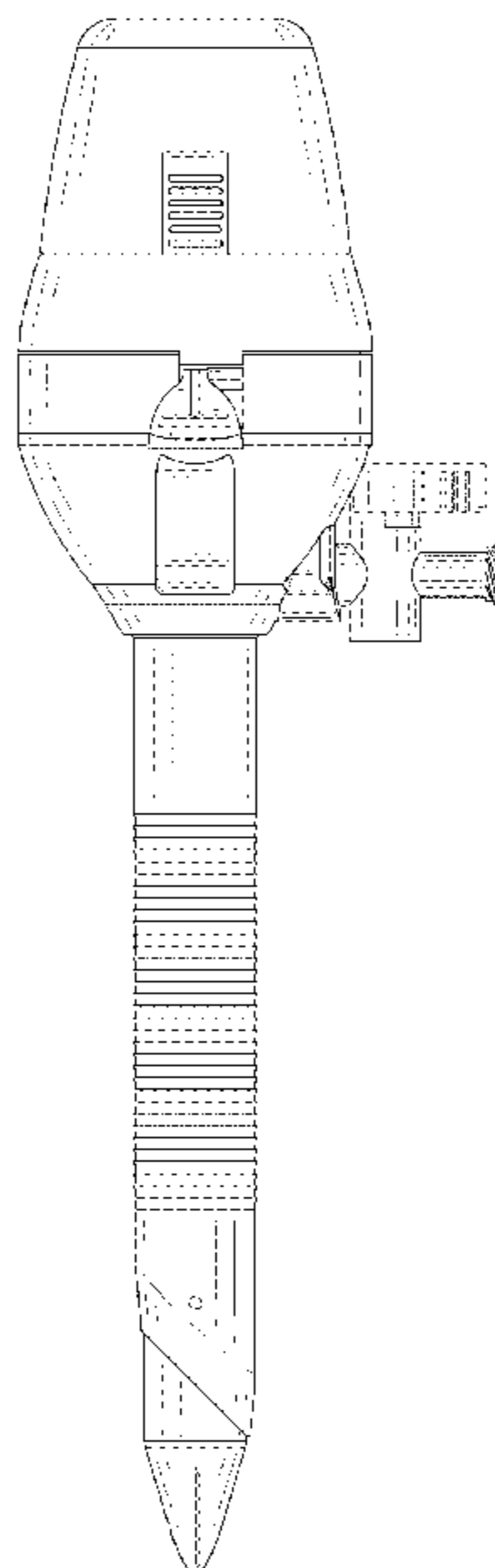
(56) **References Cited**

U.S. PATENT DOCUMENTS

D606,193 S * 12/2009 Oberlaender D24/146
D713,033 S * 9/2014 Sauer D24/146
D797,288 S * 9/2017 Zhou D24/146
D813,389 S * 3/2018 Zhou D24/146
D814,032 S * 3/2018 Zhou D24/146
2004/0230161 A1* 11/2004 Zeiner A61B 17/34
604/167.06
2007/0066988 A1* 3/2007 Datta A61B 17/3417
606/185
2007/0185453 A1* 8/2007 Michael A61B 17/3462
604/164.01

FIG. 1 is a front view of a medical puncture device showing the new design;
FIG. 2 is a rear view thereof;
FIG. 3 is a right side view thereof;
FIG. 4 is a left side view thereof;
FIG. 5 is a top view thereof;
FIG. 6 is a bottom view thereof; and,
FIG. 7 is a perspective view thereof.
The broken lines shown in FIGS. 1-7 illustrate portions of the medical puncture device that form no part of the claimed design.

1 Claim, 6 Drawing Sheets



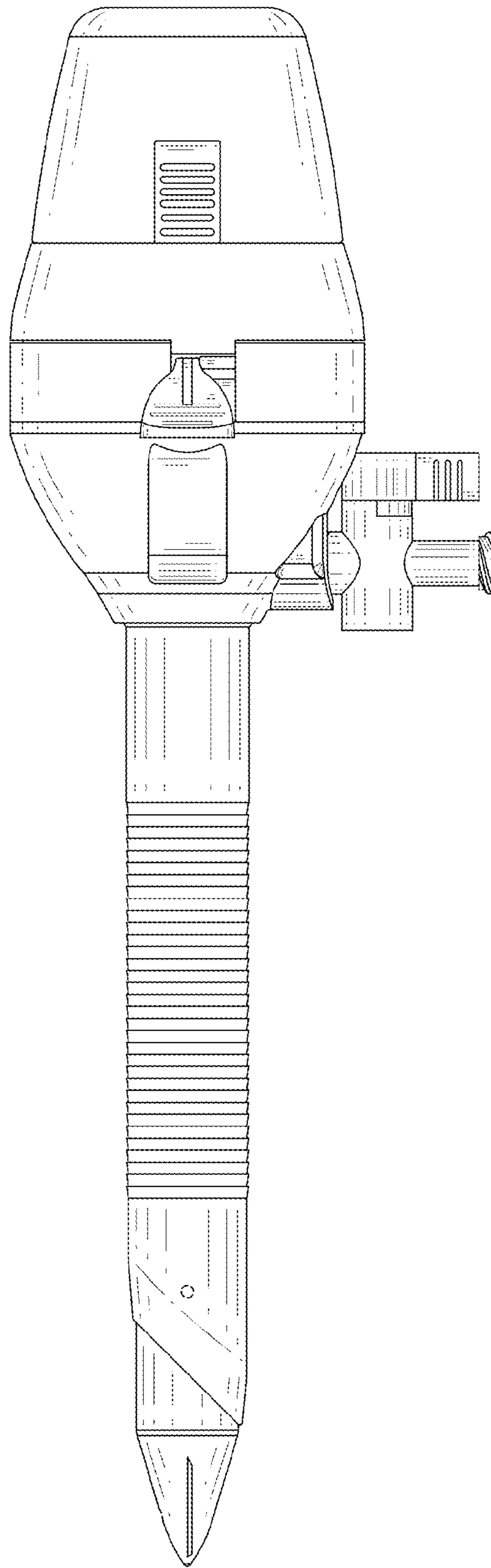


Fig. 1

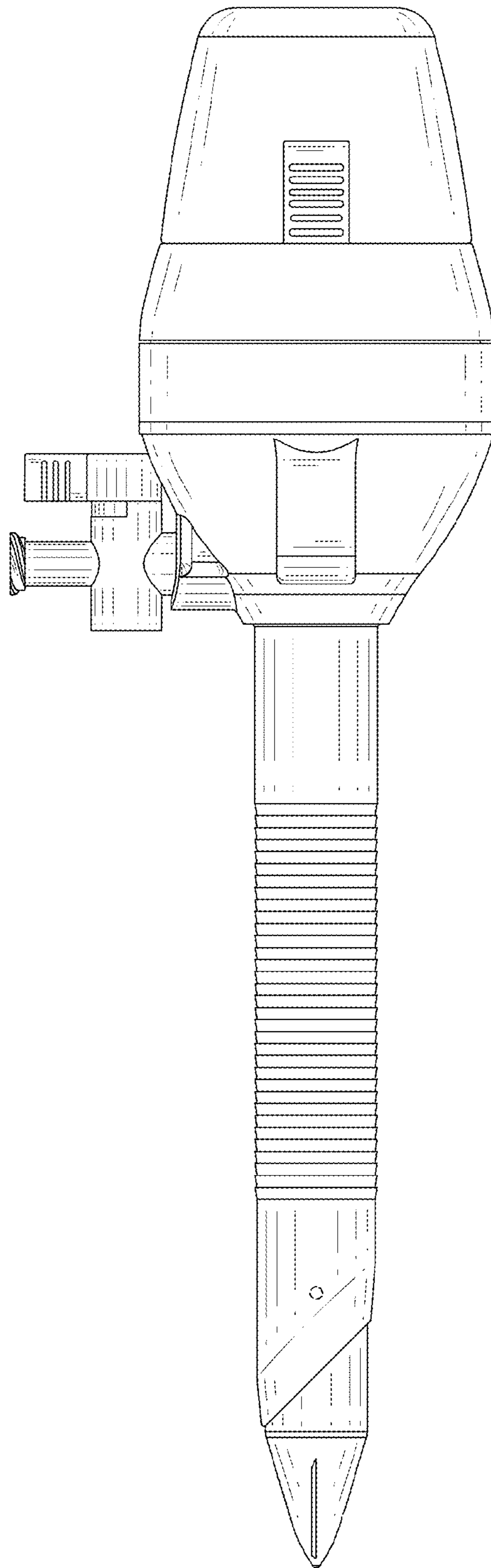


Fig. 2

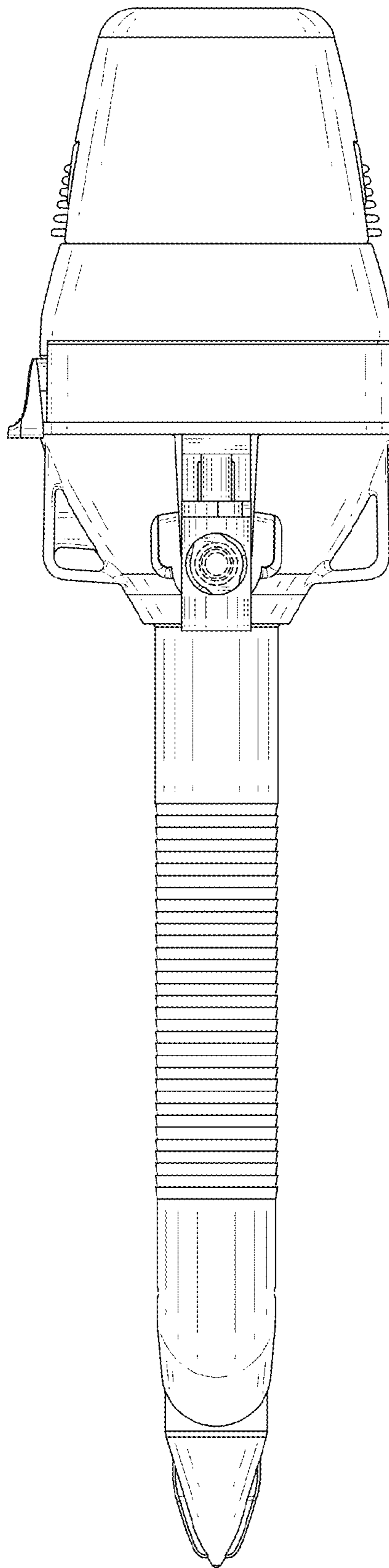


Fig. 3

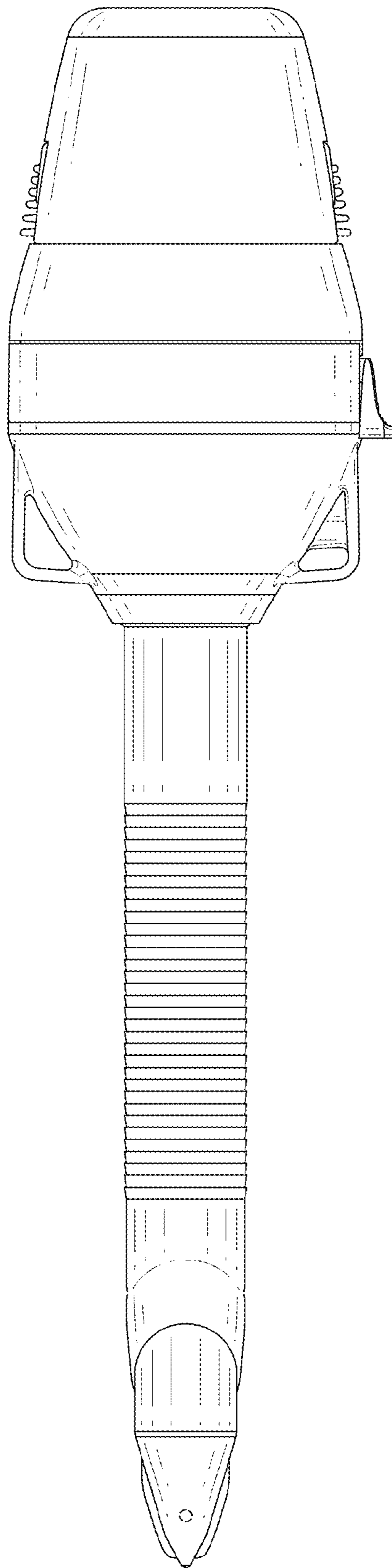


Fig. 4

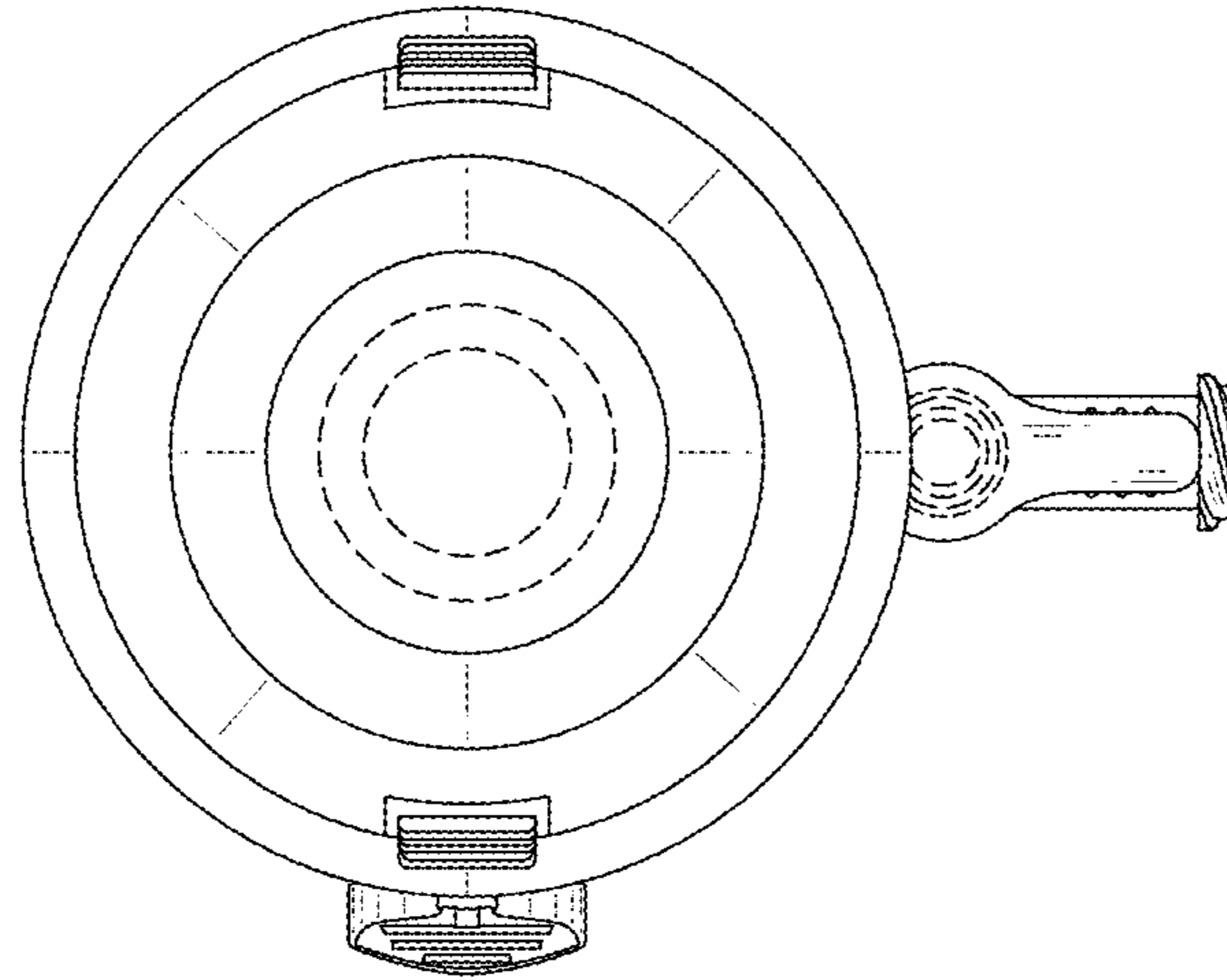


Fig. 5

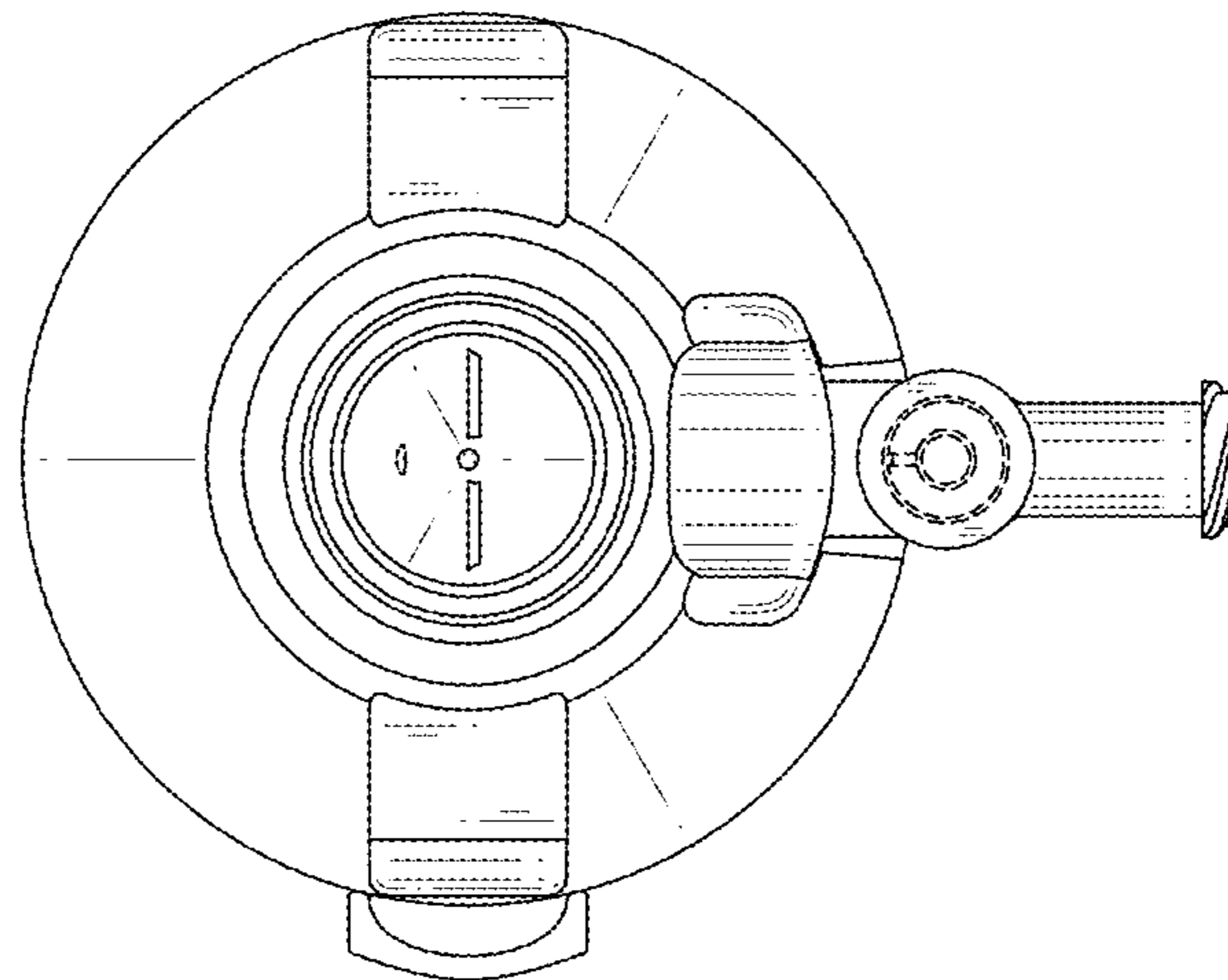


Fig. 6

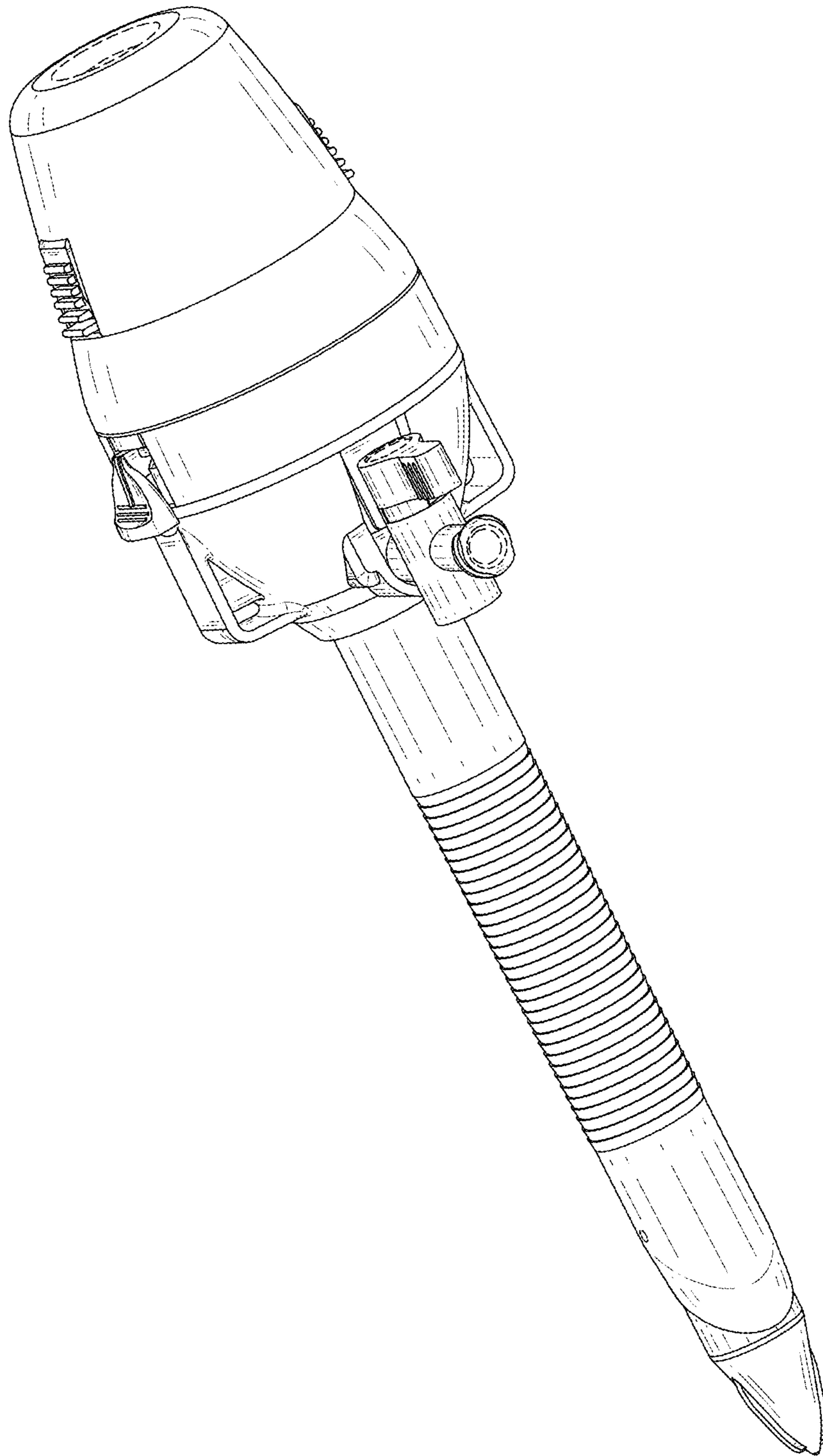


Fig. 7