



US00D886998S

(12) **United States Design Patent** (10) **Patent No.:** **US D886,998 S**
Wimmer et al. (45) **Date of Patent:** **** Jun. 9, 2020**

(54) **ALBARRAN MODULE**

D790,697 S * 6/2017 Bresco Torras D24/138
D846,121 S * 4/2019 Kuwae D24/138

(Continued)

(71) Applicant: **KARL STORZ GmbH & Co. KG**,
Tuttlingen (DE)

Primary Examiner — Eliza Z Bennett-Hattan

(72) Inventors: **Viktor Wimmer**, Seeon (DE); **Vitali Jerjomin**, Laagri (EE); **Mauno Poldmann**, Laagri (EE)

(74) *Attorney, Agent, or Firm* — Muncy, Geissler, Olds & Lowe, P.C.

(73) Assignee: **KARL STORZ SE & Co. KG**,
Tuttlingen (DE)

(57) **CLAIM**

(**) Term: **15 Years**

The ornamental design for an Albarran module, as shown and described.

(21) Appl. No.: **29/605,008**

(22) Filed: **May 23, 2017**

DESCRIPTION

(30) **Foreign Application Priority Data**

Nov. 23, 2016 (EM) 003479070-0005
Nov. 23, 2016 (EM) 003479070-0006

(51) **LOC (12) Cl.** **24-02**

(52) **U.S. Cl.**
USPC **D24/138**

(58) **Field of Classification Search**

USPC D24/108, 111, 112, 113, 117, 118, 127,
D24/130, 133, 135, 137, 138, 141, 143,
D24/144, 148, 152, 153, 154, 170, 176,
D24/179, 216, 222

CPC A61B 1/00; A61B 1/00137; A61B 1/005;
A61B 1/0014; A61B 1/0676; A61B
1/0669; A61B 1/00121; A61B 1/00133;
A61B 1/00071; A61B 1/00064; A61B
1/00068; A61B 1/00112; A61B 1/0125;
A61B 17/3478

See application file for complete search history.

(56) **References Cited**

U.S. PATENT DOCUMENTS

D484,241 S * 12/2003 Peters D24/108
D495,050 S * 8/2004 Guala D24/108

FIG. 1 is a front perspective view of an Albarran module connected to a duodenscope according to the present invention.

FIG. 2 is a front view of the Albarran module of FIG. 1.

FIG. 3 is a rear view of the Albarran module of FIG. 1.

FIG. 4 is a left side view of the Albarran module of FIG. 1.

FIG. 5 is a right side view of the Albarran module of FIG. 1.

FIG. 6 is a top view of the Albarran module of FIG. 1.

FIG. 7 is a bottom view of the Albarran module of FIG. 1.

FIG. 8 is a front perspective view of an Albarran module with the duodenscope removed for clarity of disclosure.

FIG. 9 is a front view of the Albarran module of FIG. 8.

FIG. 10 is a rear view of the Albarran module of FIG. 8.

FIG. 11 is a left side view of the Albarran module of FIG. 8.

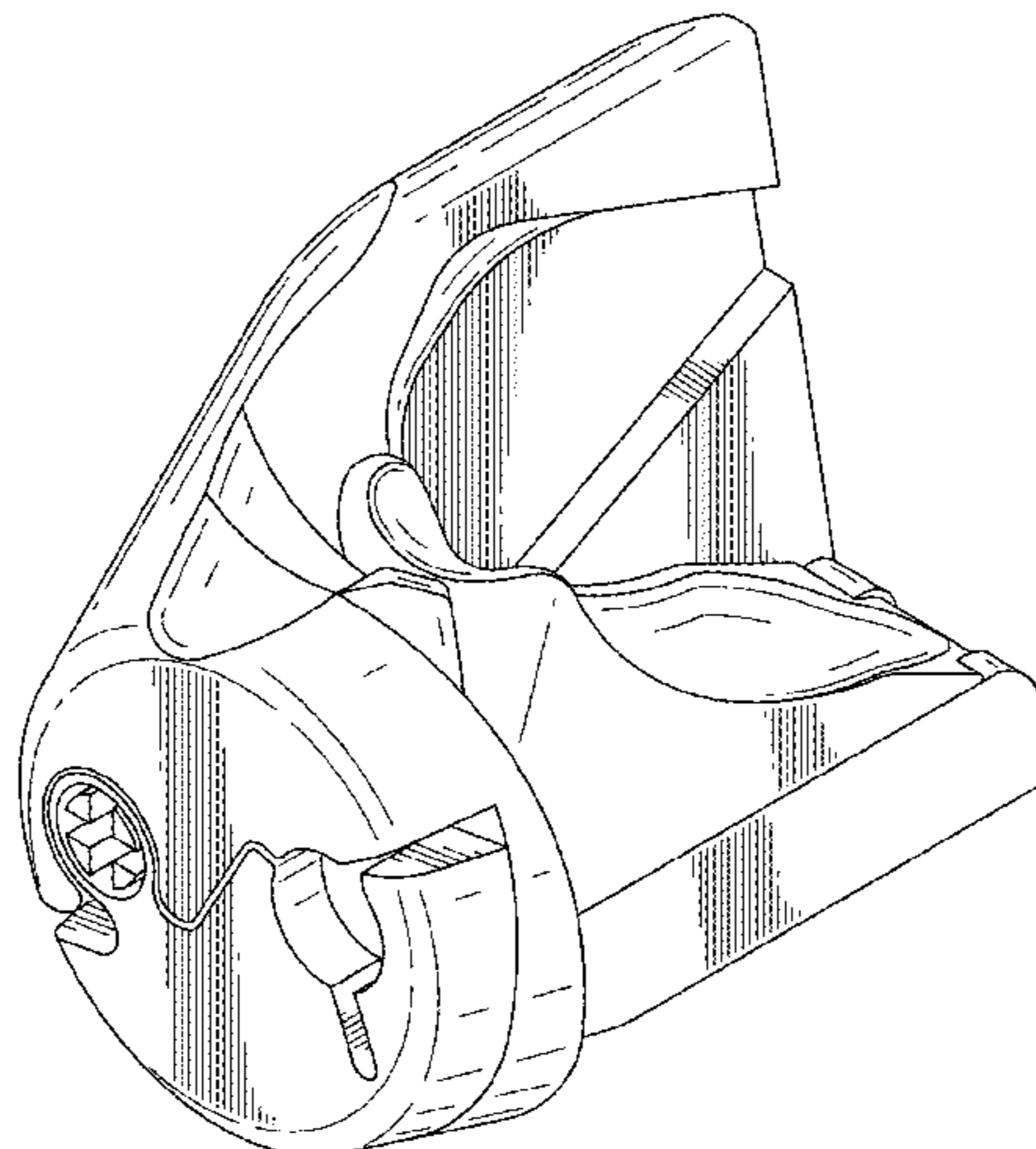
FIG. 12 is a right side view of the Albarran module of FIG. 8.

FIG. 13 is a top view of the Albarran module of FIG. 8; and,

FIG. 14 is a bottom view of the Albarran module of FIG. 8.

The dashed lines illustrate environment that does not form a part of the present invention, and no claim is made to the material illustrated with dashed lines.

1 Claim, 14 Drawing Sheets



(56)

References Cited

U.S. PATENT DOCUMENTS

D849,940 S * 5/2019 Kuwae D24/138
D860,442 S * 9/2019 Ostrovsky D24/138
2011/0114699 A1* 5/2011 Baxter, III A61B 46/10
227/175.1
2018/0168435 A1* 6/2018 Akhoondi A61B 1/0008
2018/0249894 A1* 9/2018 Kolberg A61B 1/00137

* cited by examiner



FIG.1

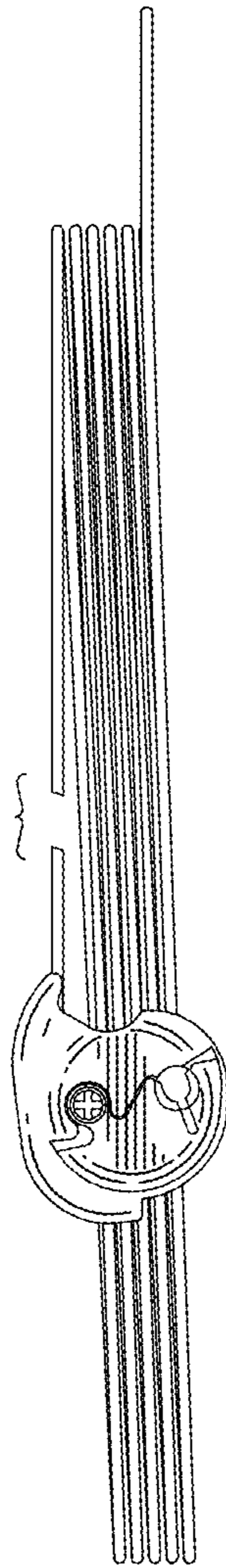


FIG.2

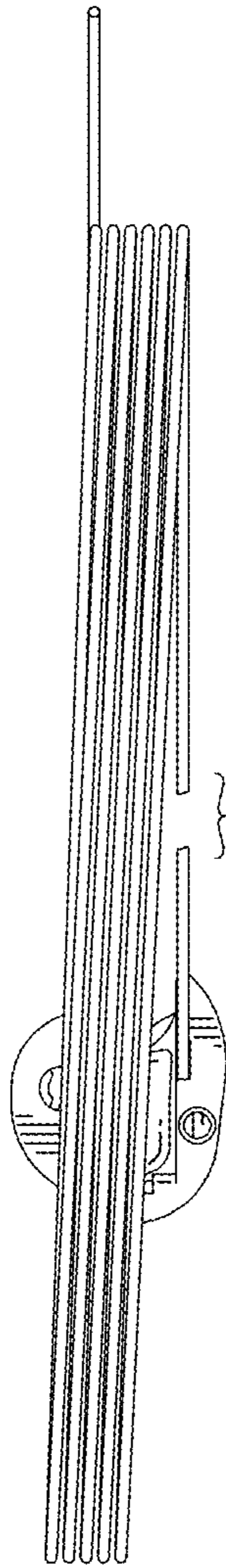


FIG.3

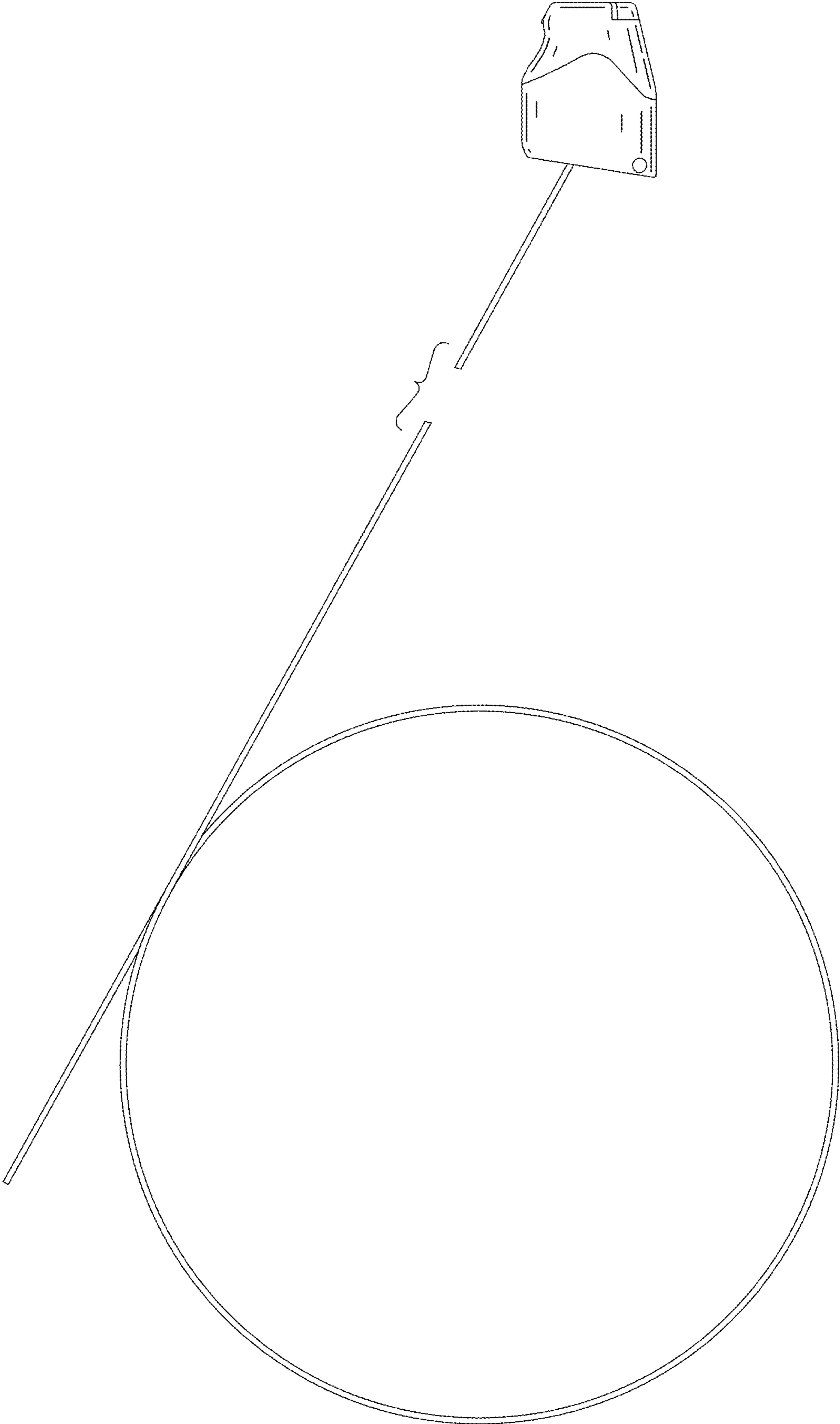


FIG.4

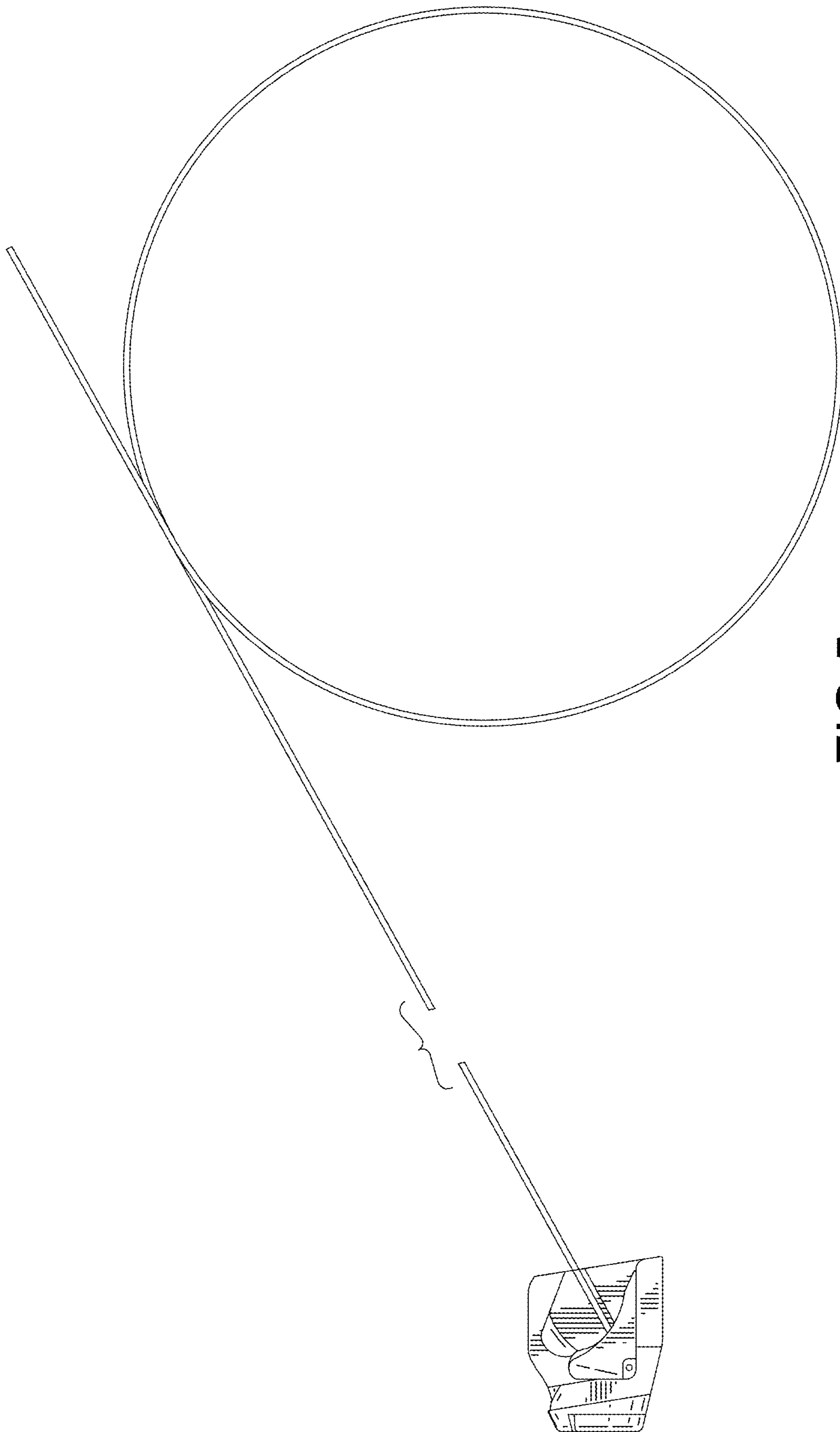


FIG. 5

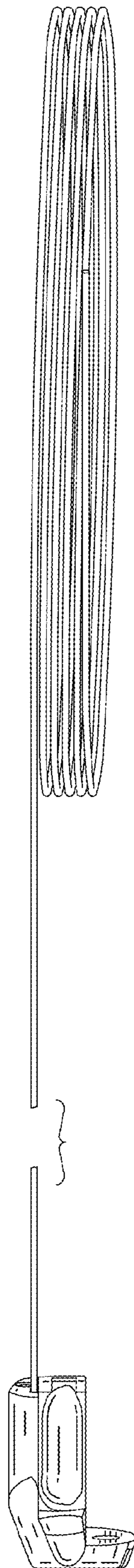


FIG.6

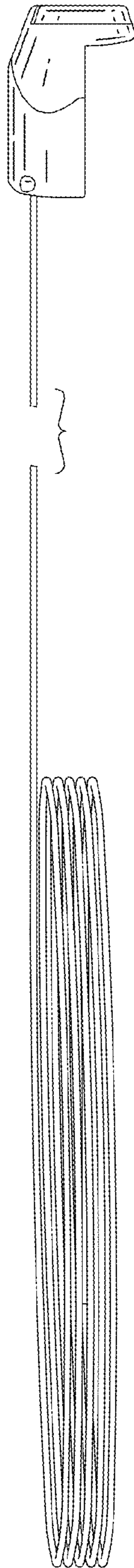


FIG.7

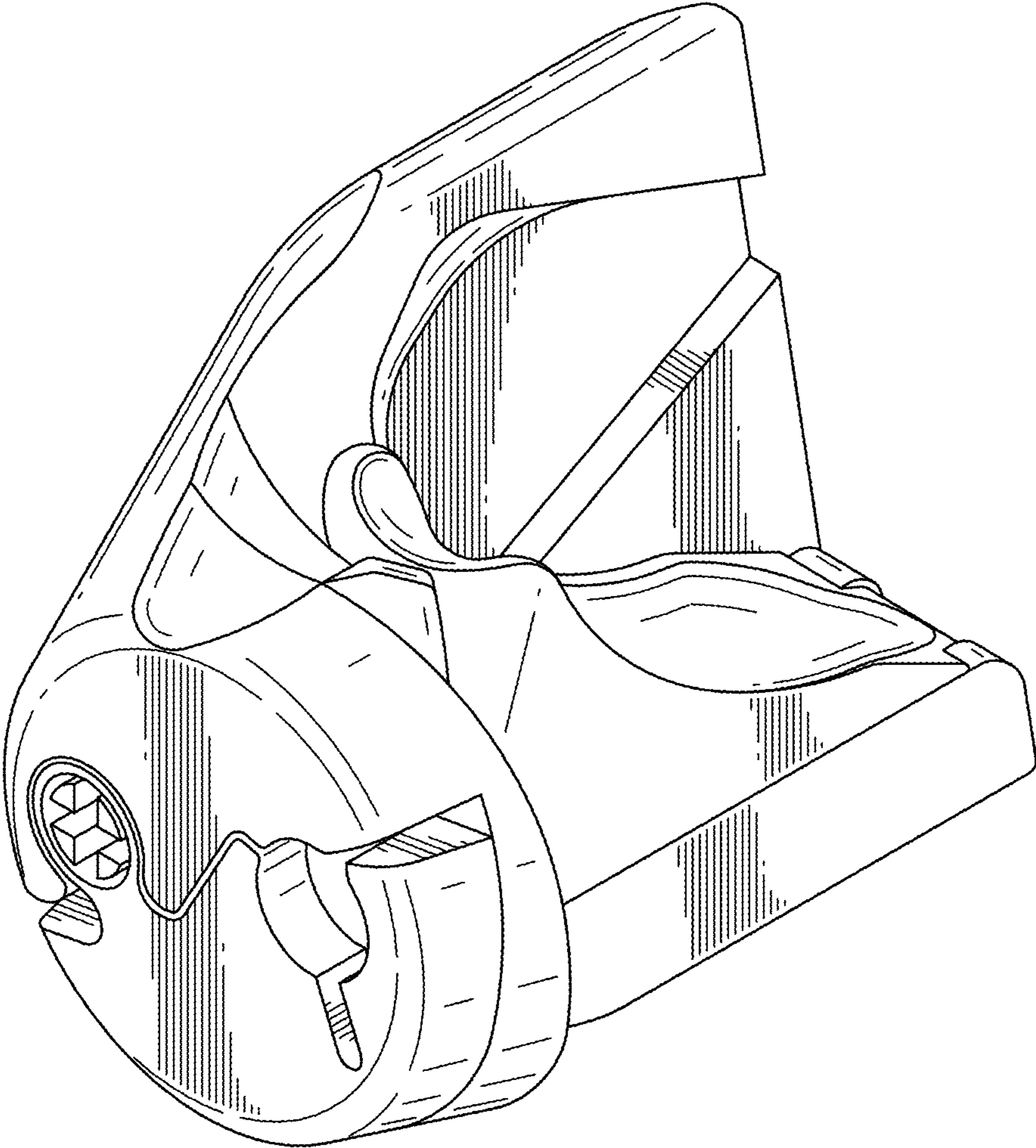


FIG.8

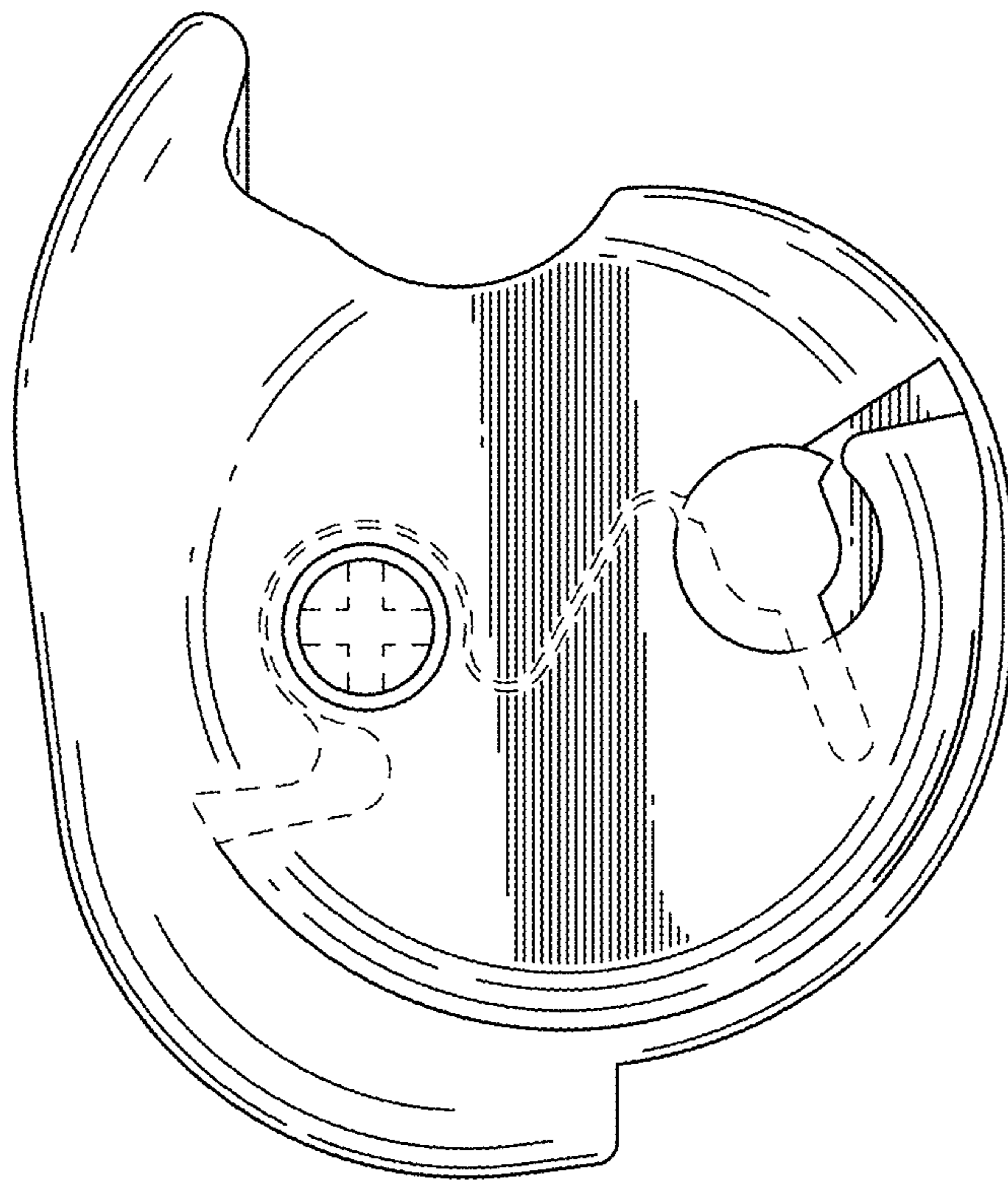


FIG. 9

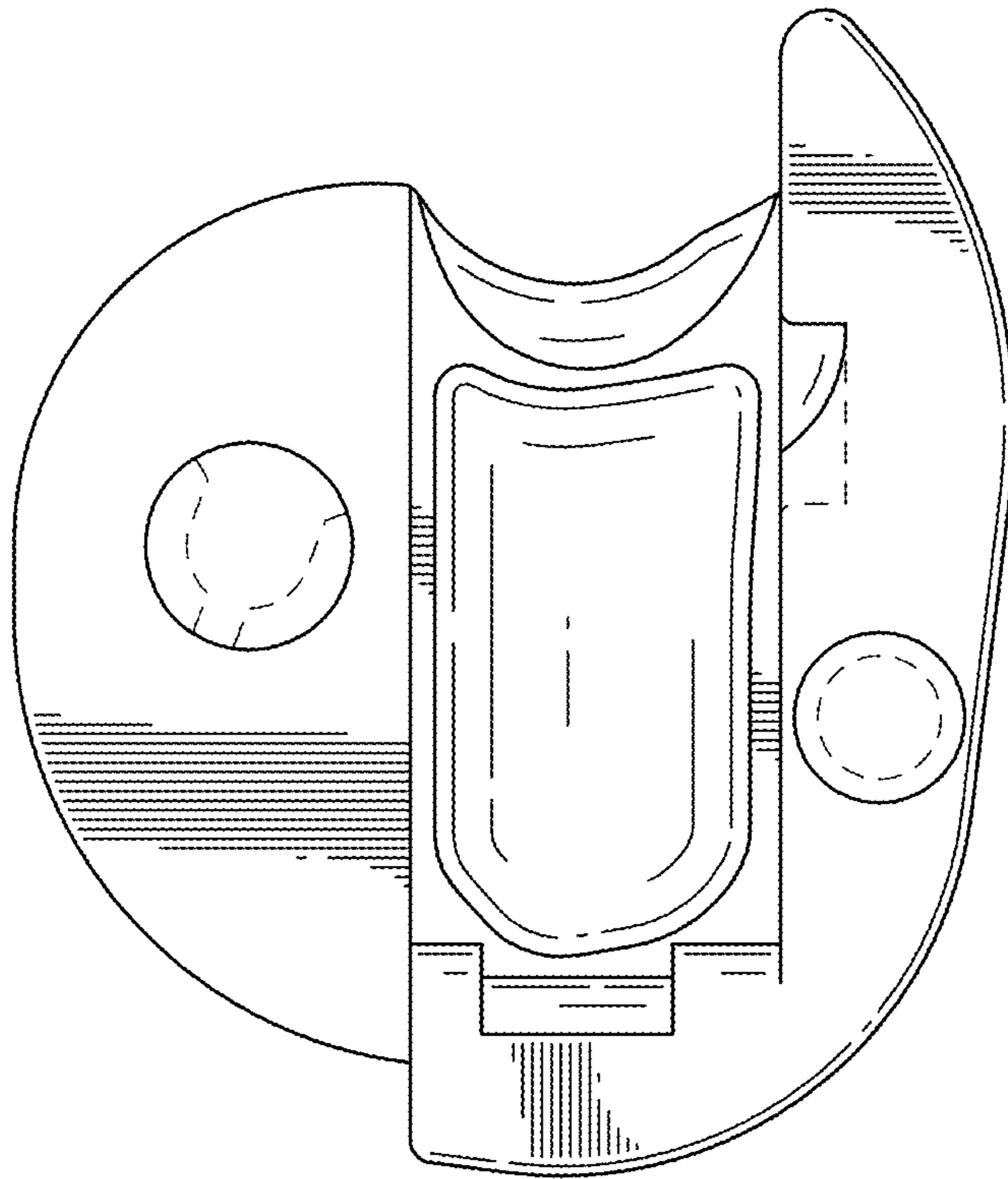


FIG.10

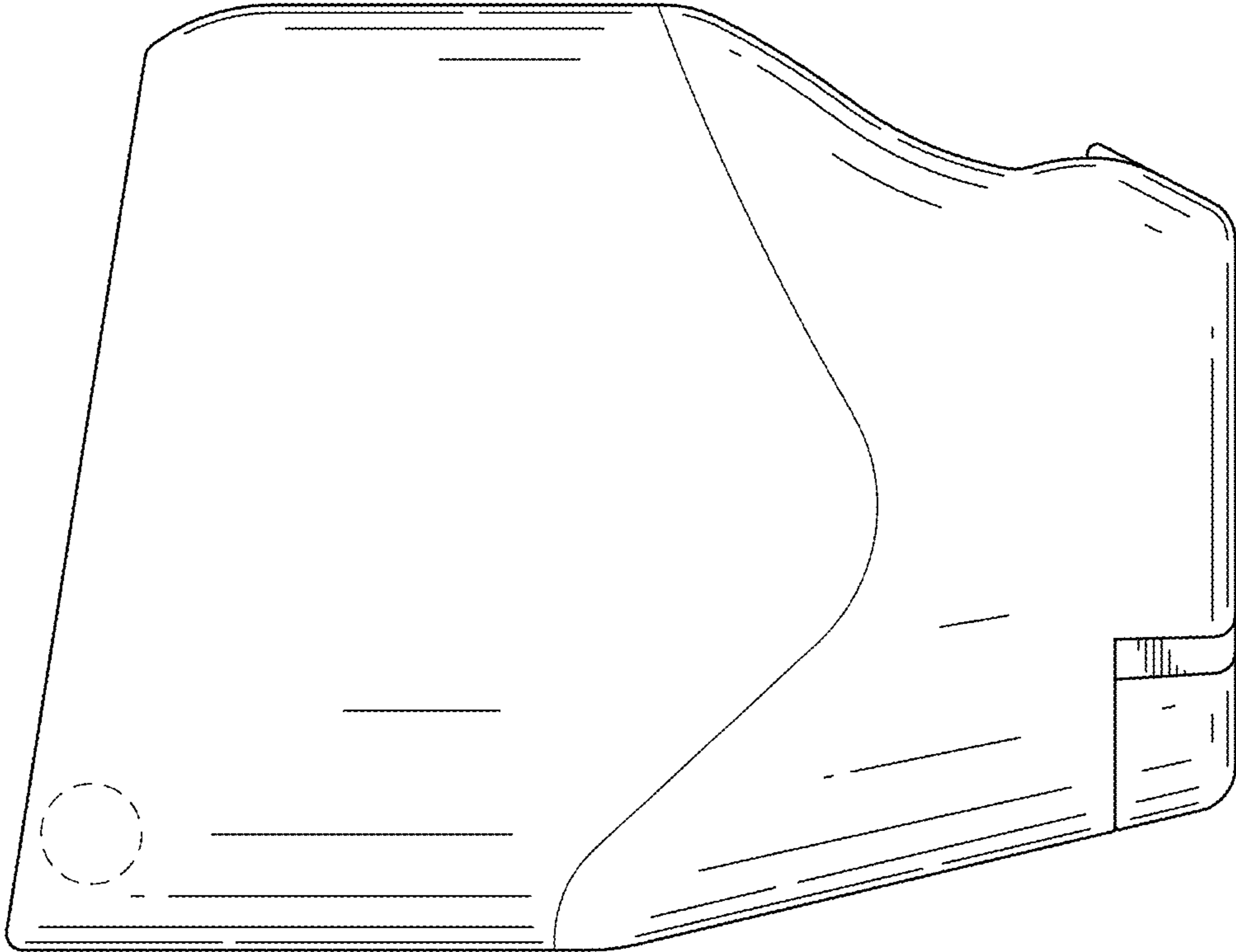


FIG.11

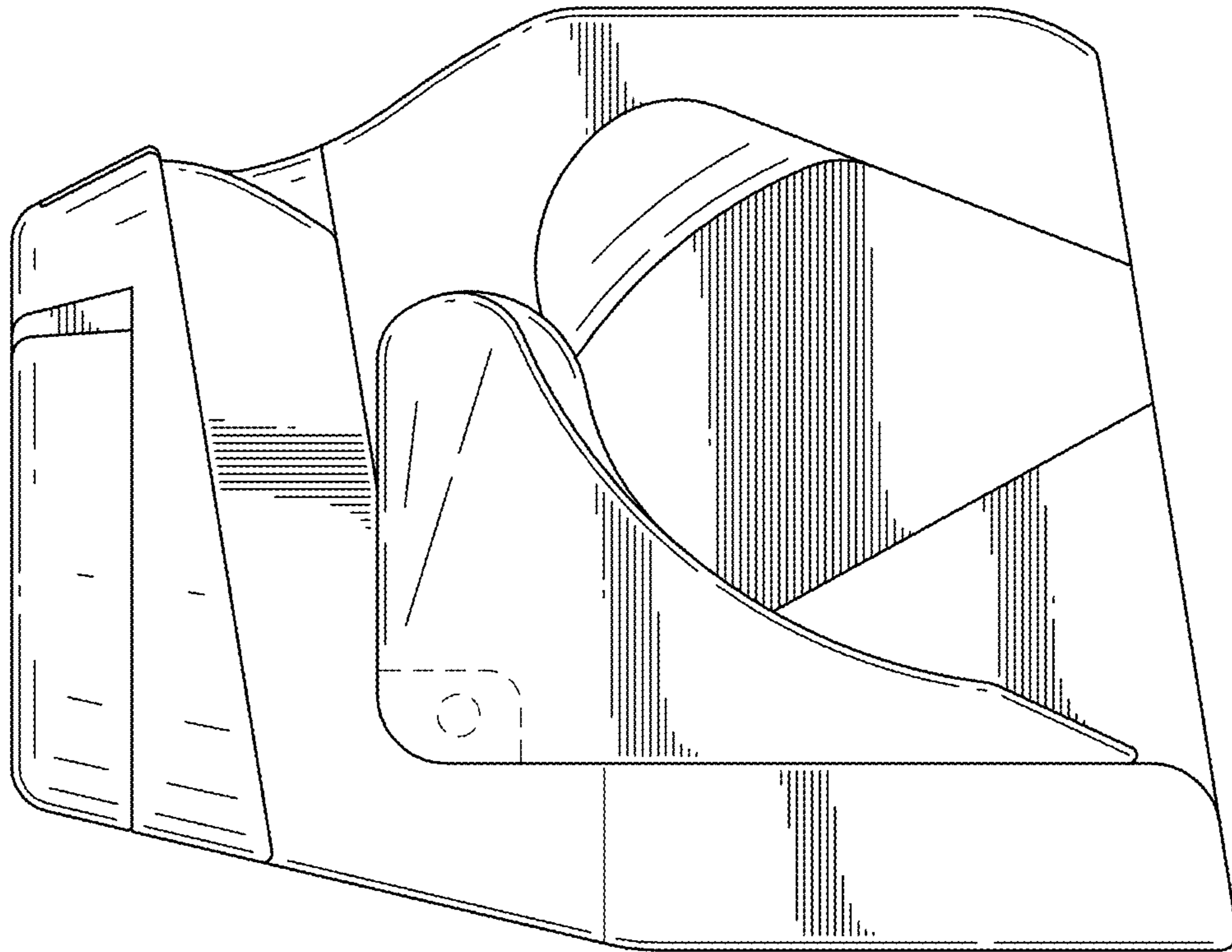


FIG.12

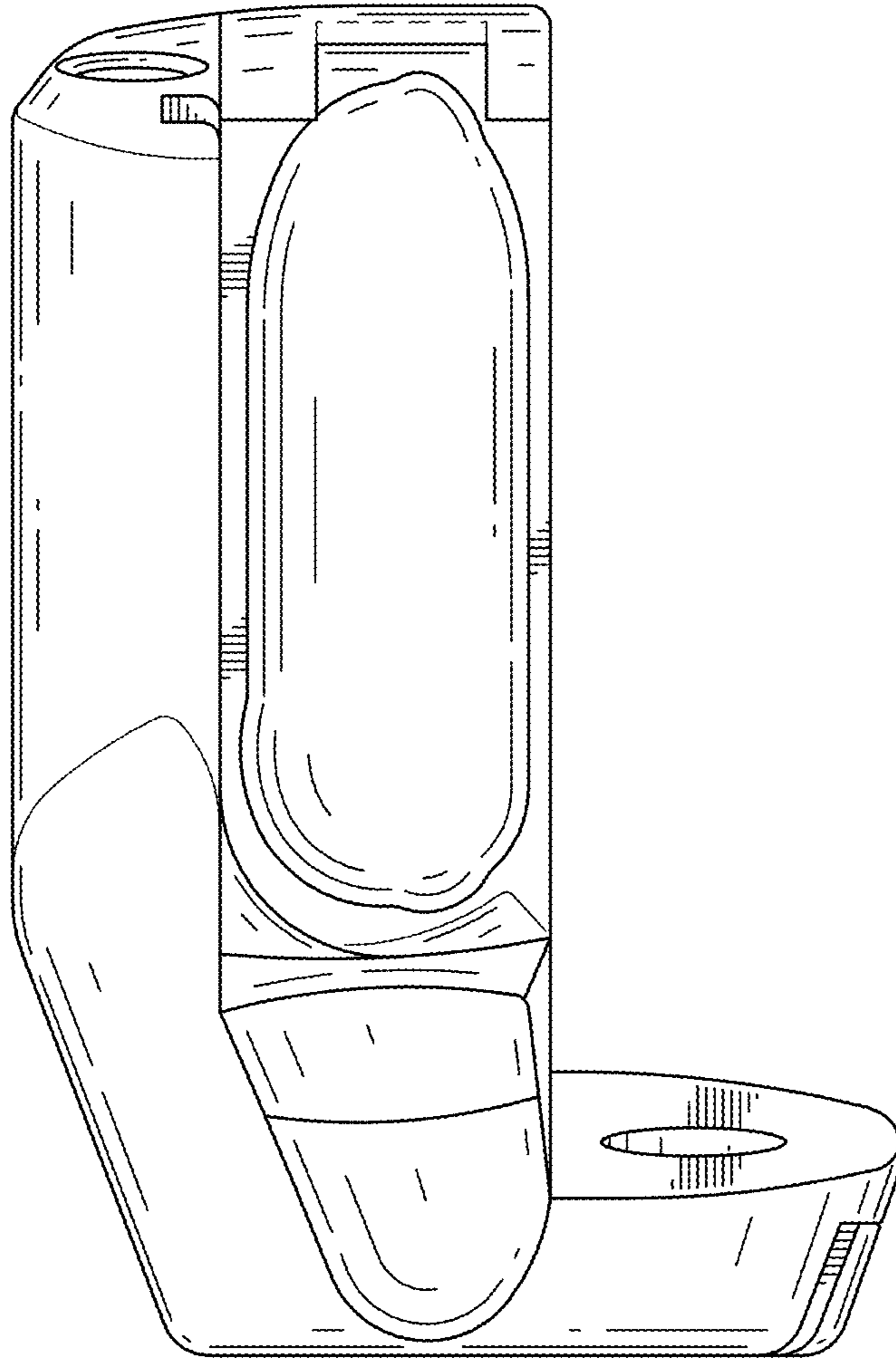


FIG.13

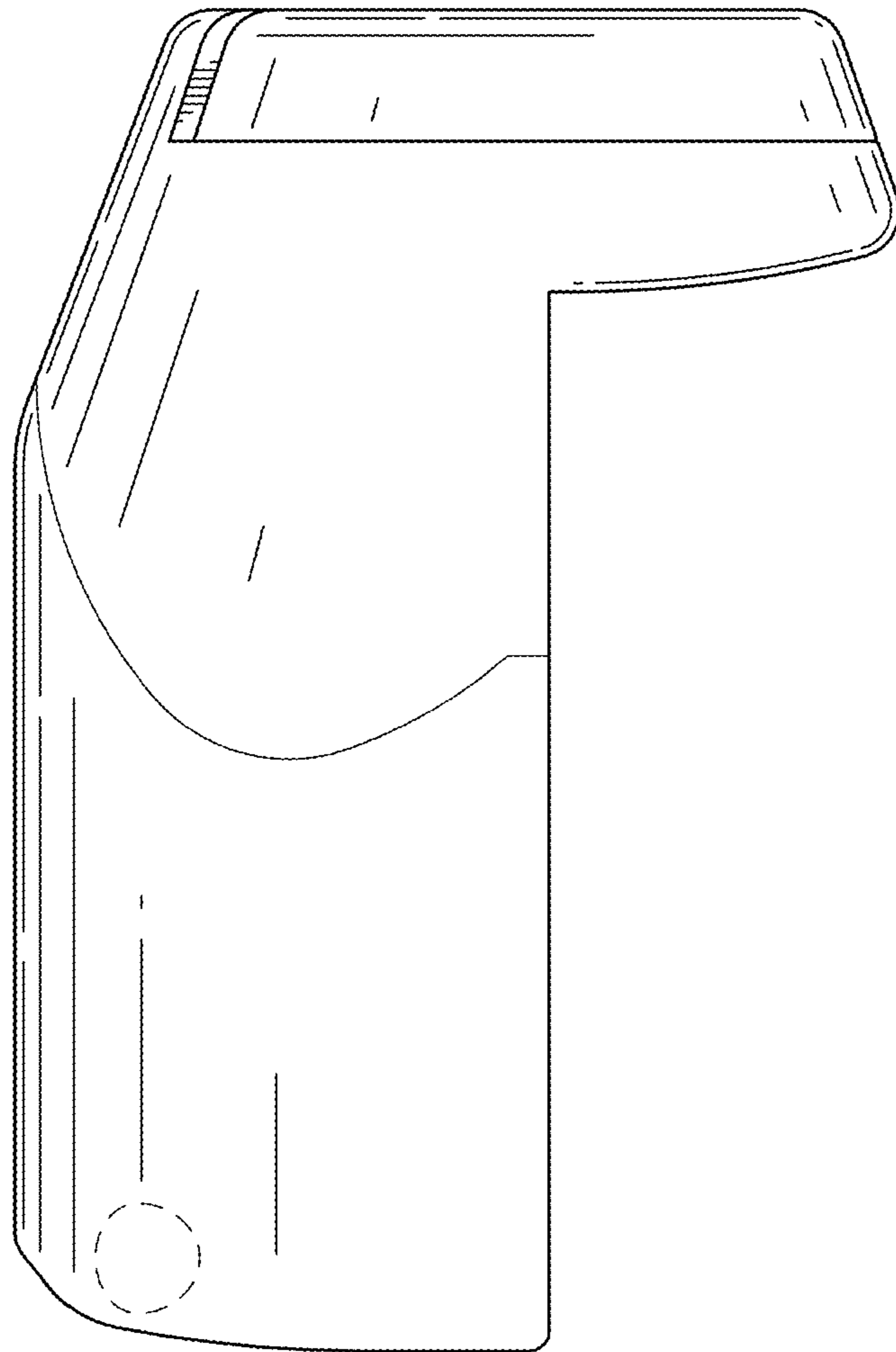


FIG.14