



US00D886995S

(12) **United States Design Patent**  
**Lundkvist et al.**

(10) **Patent No.:** **US D886,995 S**

(45) **Date of Patent:** **\*\* \*Jun. 9, 2020**

(54) **TUBE COUPLING**  
(71) Applicant: **GE HEALTHCARE BIO-SCIENCES AB**, Uppsala (SE)  
(72) Inventors: **Mats Lundkvist**, Uppsala (SE); **Bjorn A. Johansson**, Uppsala (SE); **Tim Francois**, Uppsala (SE)  
(73) Assignee: **GE HEALTHCARE BIO-SCIENCES AB**, Uppsala (SE)

D232,519 S \* 8/1974 Satoru ..... D8/386  
4,541,658 A \* 9/1985 Bartholomew ..... F16L 37/0987  
251/149.6  
D293,883 S \* 1/1988 Hirohata ..... D8/382  
4,951,391 A \* 8/1990 Seabra ..... B23P 13/02  
29/558  
5,909,902 A \* 6/1999 Seabra ..... F16L 37/0925  
285/322  
6,568,714 B2 \* 5/2003 Stripe ..... F16L 33/04  
285/239  
7,690,693 B2 \* 4/2010 Moner ..... F16L 25/009  
285/247  
9,261,214 B2 \* 2/2016 Guest ..... F16L 37/0925  
10,221,979 B2 \* 3/2019 Owen ..... F16L 37/148  
2004/0108712 A1 \* 6/2004 Liang ..... F16L 37/0925  
285/39

(\*) Notice: This patent is subject to a terminal disclaimer.

(\*\*) Term: **15 Years**

(Continued)

(21) Appl. No.: **29/630,293**

Primary Examiner — Amy C Wierenga

(22) Filed: **Dec. 20, 2017**

(74) Attorney, Agent, or Firm — Eversheds Sutherland (US) LLP

(30) **Foreign Application Priority Data**

Jun. 27, 2017 (GB) ..... 6014451

(51) **LOC (12) Cl.** ..... **24-04**

(52) **U.S. Cl.**  
USPC ..... **D24/129**; D23/262

(58) **Field of Classification Search**  
USPC ..... D23/259, 262, 263, 265–266; D8/382, D8/386; 285/15–16, 31, 33, 45, 53, 86, 285/104, 125.1, 179, 180, 285.1, 294.1, 285/294.3, 373, 417, 3, 39, 105, 113, 285/257, 305, 321, 323, 340, 423; 251/146–152; 138/99; D24/127, 129, D24/110.6, 110.12  
CPC ..... F16L 59/14; F16L 17/10; F16L 33/16  
See application file for complete search history.

(57) **CLAIM**

We claim the ornamental design for a tube coupling, as shown and described.

(56) **References Cited**

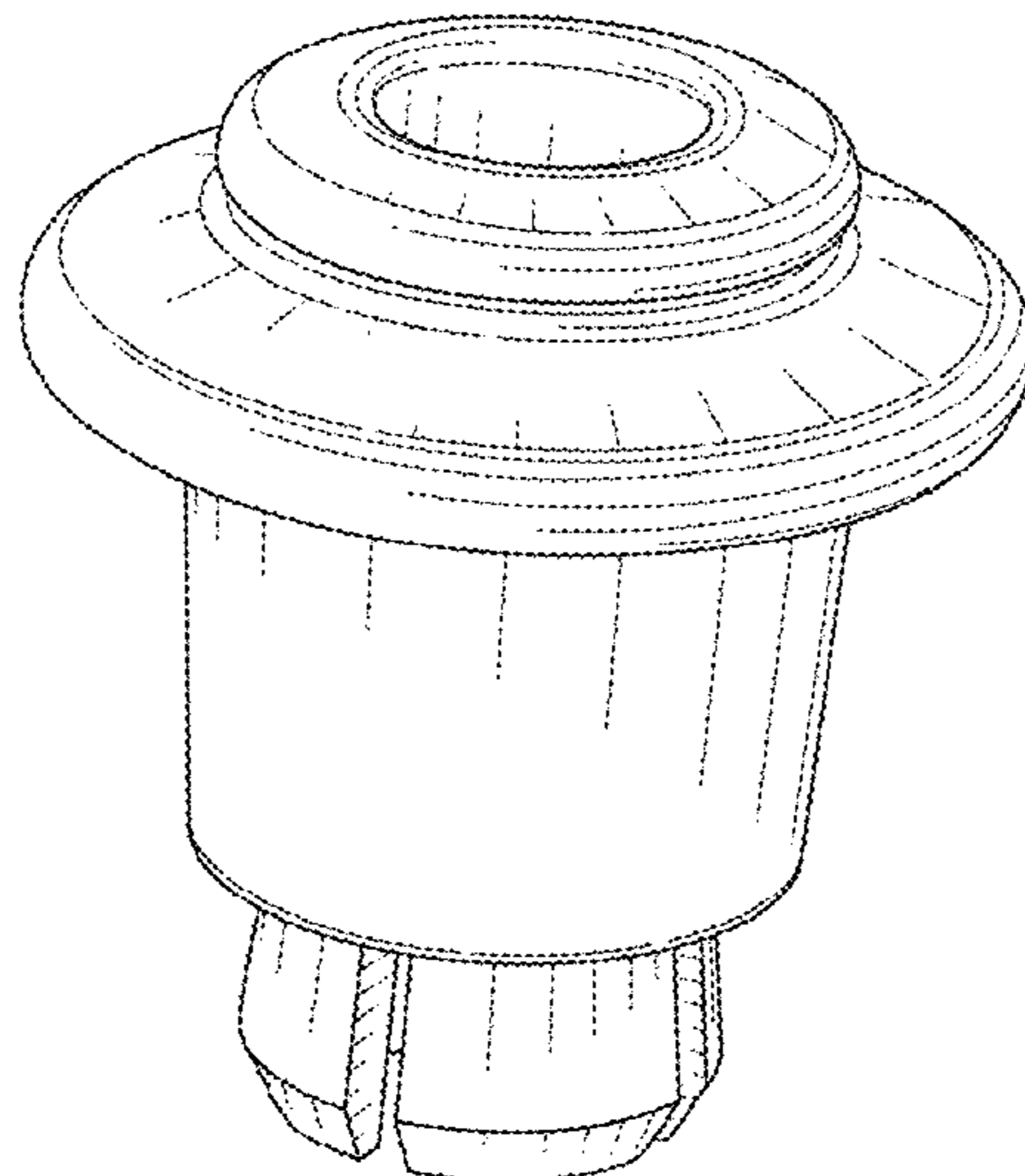
U.S. PATENT DOCUMENTS

3,243,206 A \* 3/1966 Samer ..... F16L 5/027  
16/2.1  
3,649,050 A \* 3/1972 Woodling ..... F16L 19/10  
271/308

**DESCRIPTION**

FIG. 1 is a right side upper perspective view in a released position showing our new design of the tube coupling; FIG. 2 is a right side upper perspective view in a clamped position showing our new design of the tube coupling; FIG. 3 is a left side lower perspective view in a released position showing our new design of the tube coupling; FIG. 4 is a right side elevation view in a clamped position showing our new design of the tube coupling; and, FIG. 5 is a right side elevation view in a released position showing our new design of the tube coupling.

**1 Claim, 5 Drawing Sheets**



(56)

**References Cited**

U.S. PATENT DOCUMENTS

2011/0309614 A1\* 12/2011 Guest ..... F16L 37/0925  
285/323  
2012/0306197 A1\* 12/2012 Liu ..... B29C 45/261  
285/323

\* cited by examiner

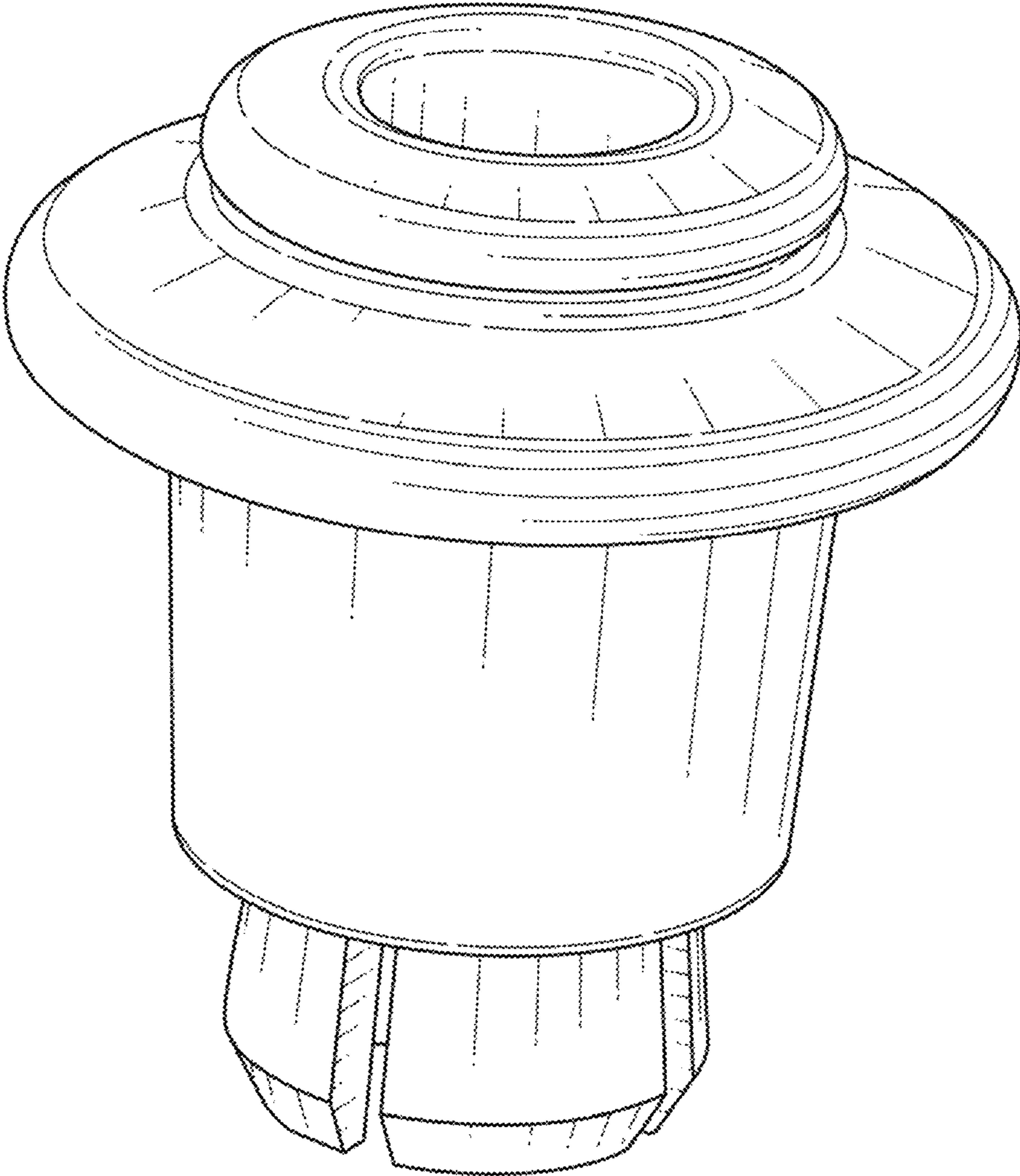


FIG. 1

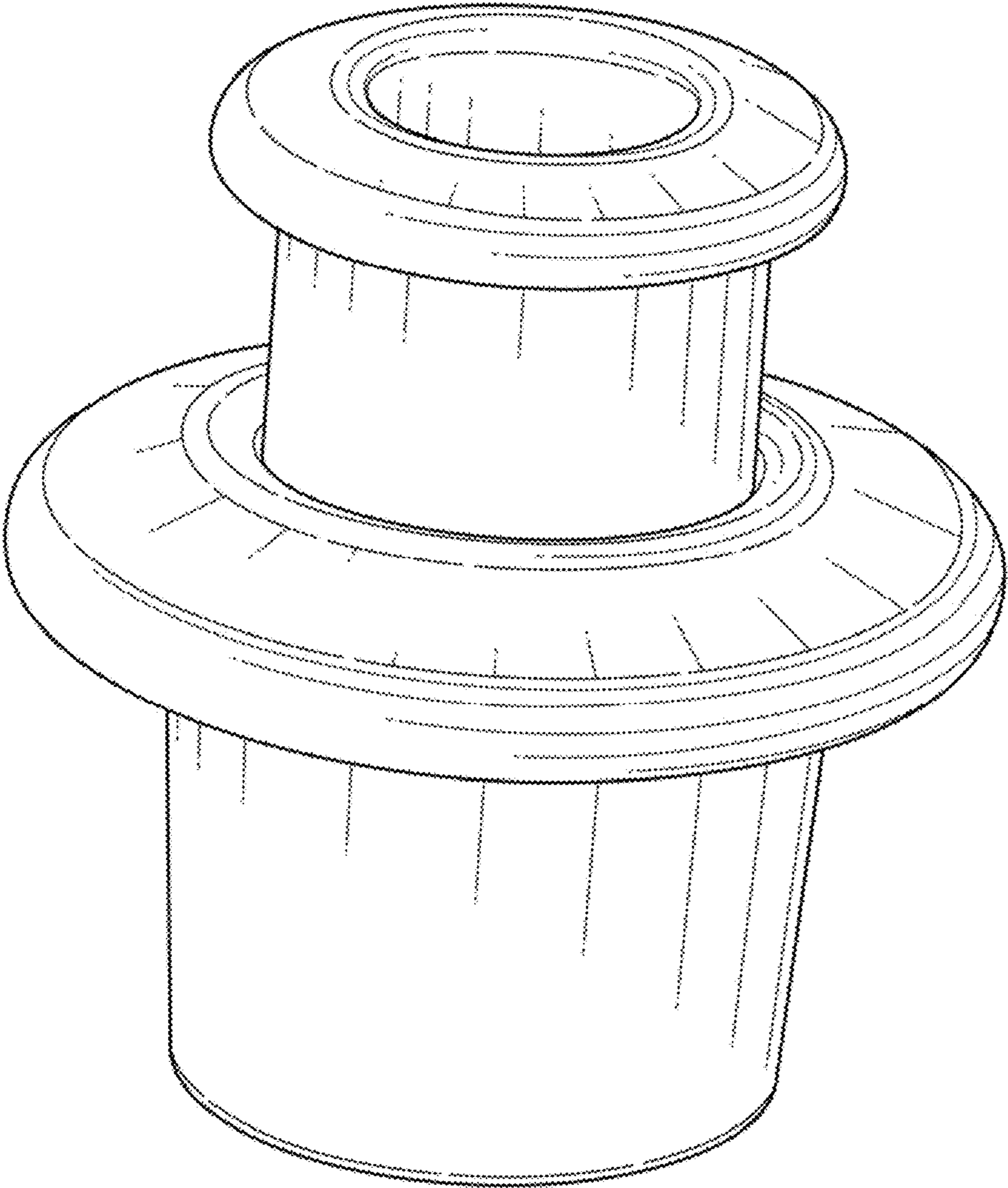


FIG. 2

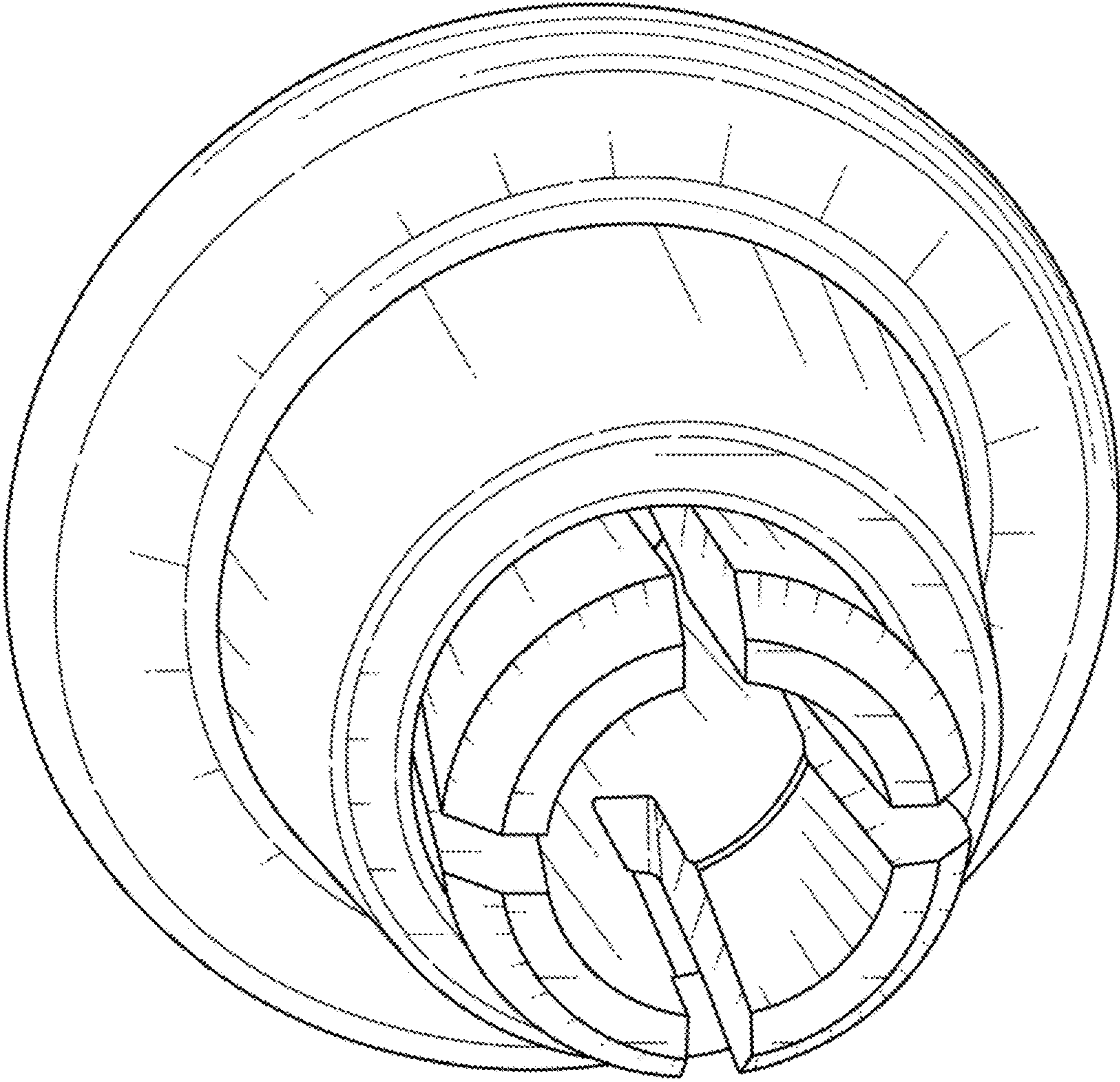


FIG. 3

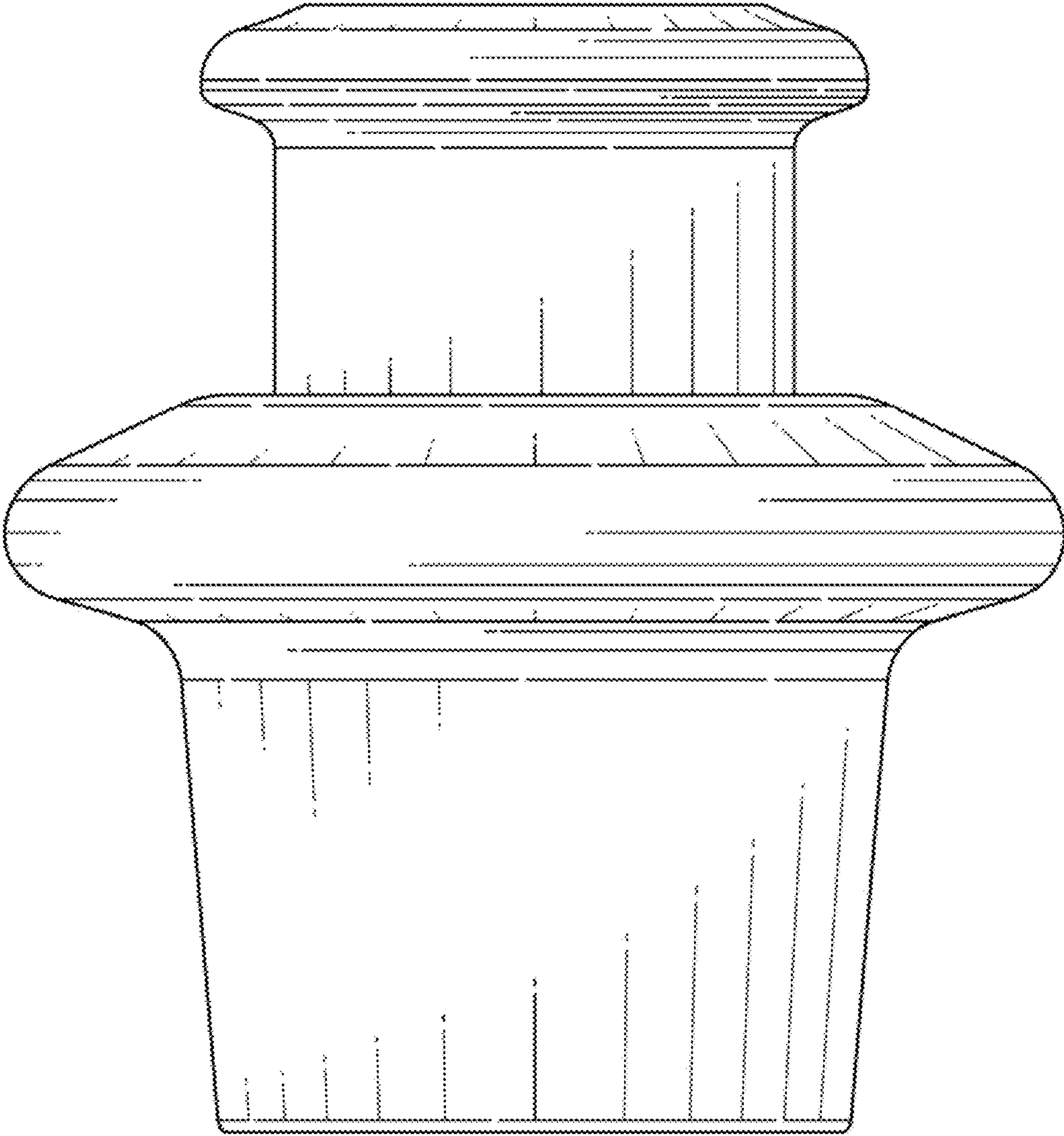


FIG. 4

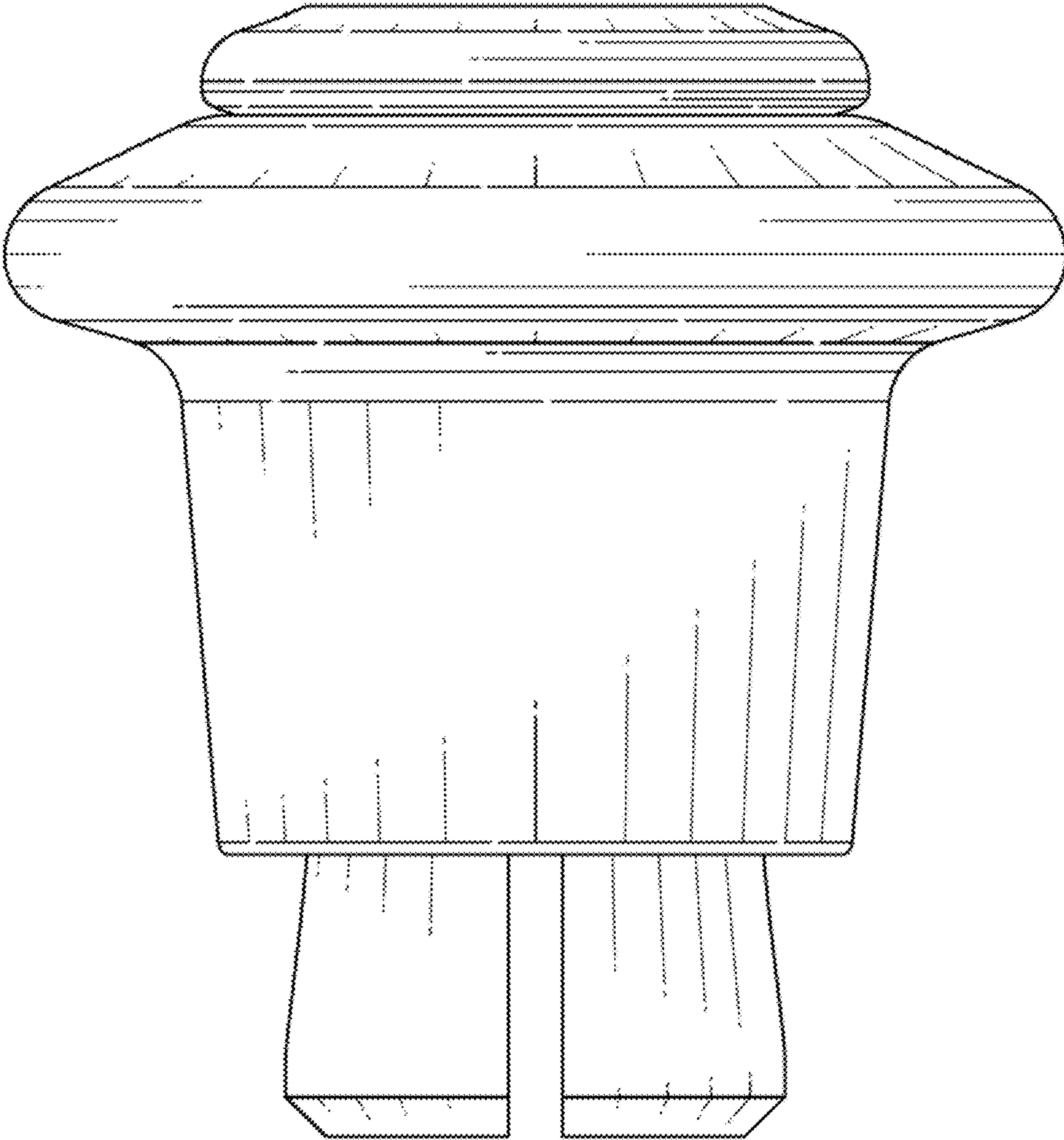


FIG. 5