



US00D886989S

(12) **United States Design Patent**
Lucio

(10) **Patent No.:** **US D886,989 S**

(45) **Date of Patent:** **** Jun. 9, 2020**

(54) **SHEATH AND PROBE FOR DISINFECTING CONDUIT**

(71) Applicant: **3B Medical, Inc.**, Winter Haven, FL (US)

(72) Inventor: **Albert A. Lucio**, Haines City, FL (US)

(73) Assignee: **3B MEDICAL, INC.**, Winter Haven, FL (US)

(**) Term: **15 Years**

(21) Appl. No.: **29/645,823**

(22) Filed: **Apr. 30, 2018**

(51) **LOC (12) Cl.** **24-02**

(52) **U.S. Cl.**
USPC **D24/127**

(58) **Field of Classification Search**
USPC D24/127–131, 112–114, 133, 186;
606/181, 185; 604/264, 523–528, 272,
604/187, 158, 164.01–164.11, 181, 184,
604/227; 600/101, 139, 143;
128/200.24, 207.14, 207.15
CPC .. A61M 25/065; A61M 5/42; A61M 25/0612;
A61M 25/00; A61M 39/00; A61M 27/00;
A61M 25/0043; A61M 25/0067; A61M
25/0097; A61F 2/958

See application file for complete search history.

(56) **References Cited**

U.S. PATENT DOCUMENTS

- 5,957,947 A * 9/1999 Wattiez A61B 17/3417
606/185
- D447,231 S * 8/2001 Chen Fu D24/121
- D636,079 S * 4/2011 Leybold D24/129
- D639,421 S * 6/2011 Sano D24/118
- D710,499 S * 8/2014 Kawamura D24/130
- D816,831 S * 5/2018 Sacchetti D24/127
- D827,819 S * 9/2018 Hillukka D24/130

- D830,523 S * 10/2018 Vranish D23/262
- D831,199 S * 10/2018 Holton D24/127
- D834,712 S * 11/2018 Gulliver D24/129
- D839,422 S * 1/2019 Gro er D24/130
- D841,499 S * 2/2019 Drewes D10/81
- D842,462 S * 3/2019 Guala D24/129

OTHER PUBLICATIONS

Howard, III, George B., “Executive Summary, CleanPAP,” Triple Cs, LLC, Mr. Pior “Peter” Czapl, inventor. 2019.

* cited by examiner

Primary Examiner — David G Muller

(74) *Attorney, Agent, or Firm* — Carlson, Gaskey & Olds, P.C.

(57) **CLAIM**

I claim the ornamental design of sheath and probe for disinfecting conduit, as shown and described.

DESCRIPTION

FIG. 1 is a rear-perspective view of the device, including a sheath and a probe within the sheath. The probe is magnetically suspended within the sheath in FIG. 1.

FIG. 2 is a front-perspective view thereof;

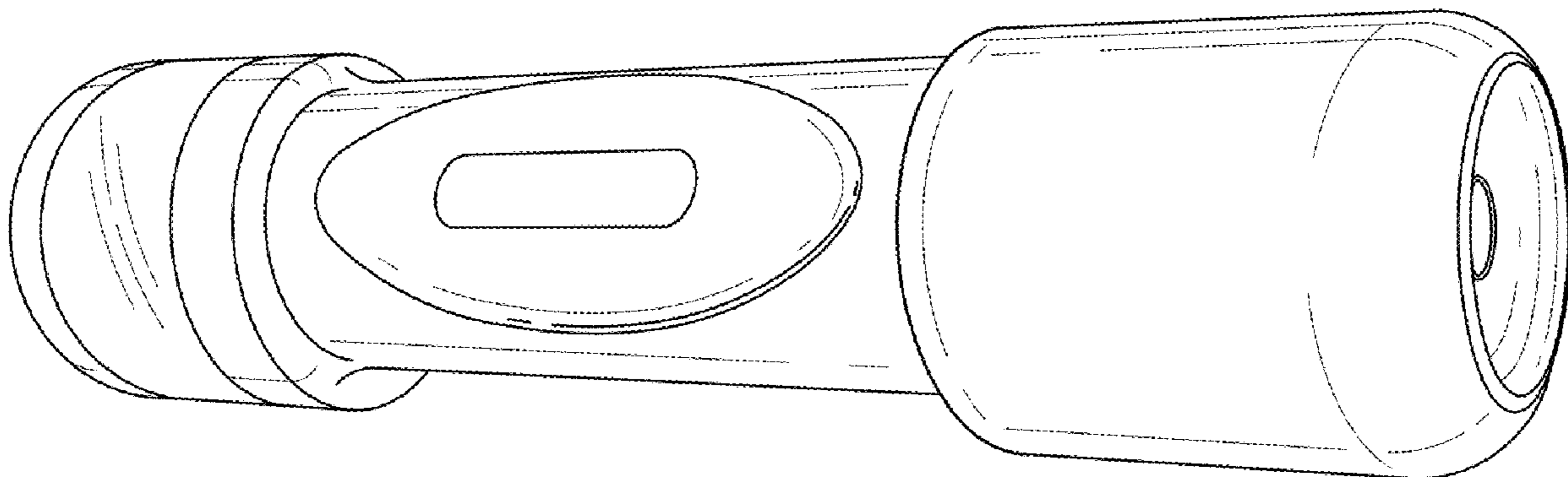
FIG. 3 is a side view thereof;

FIG. 4 is a top-perspective view thereof;

FIG. 5 is another top-perspective view thereof, with the probe partially removed from the sheath. The probe may include an ultraviolet (UV) light source; and,

FIG. 6 is another top-perspective view of the device of FIG. 1, with the probe magnetically suspended within the sheath. The broken lines in FIG. 6 illustrate an example conduit, which may be passed within the sheath and over the probe, in order to expose the conduit to UV light emitted from the probe, thereby disinfecting the conduit. The broken lines form no part of the claimed design.

1 Claim, 2 Drawing Sheets



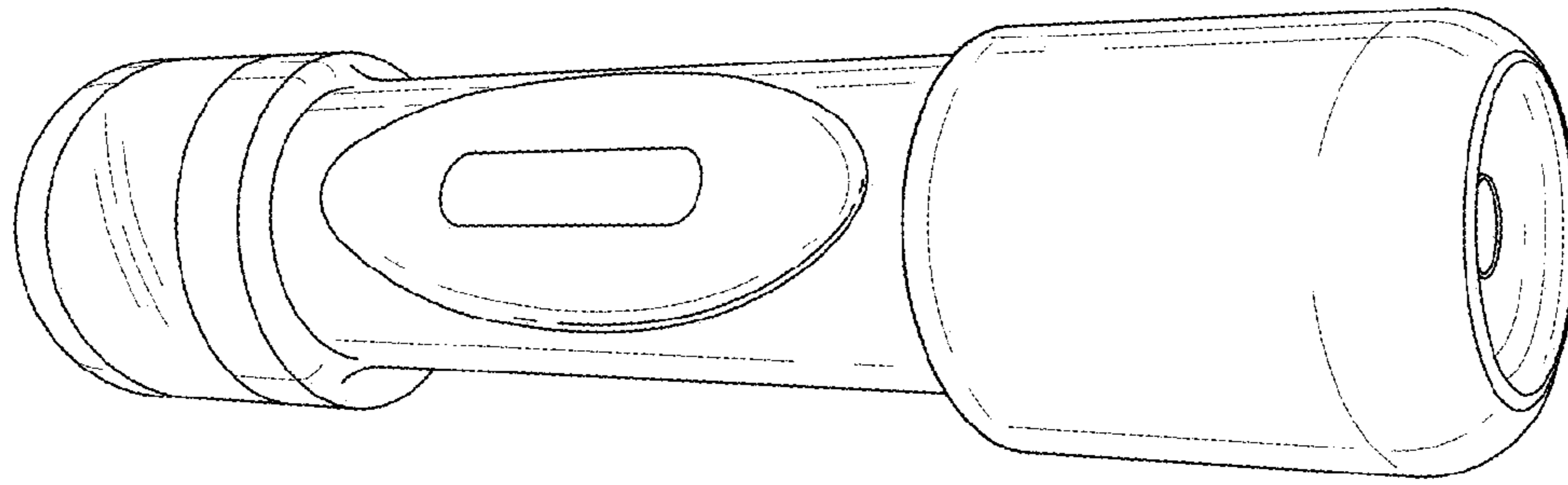


Fig-1

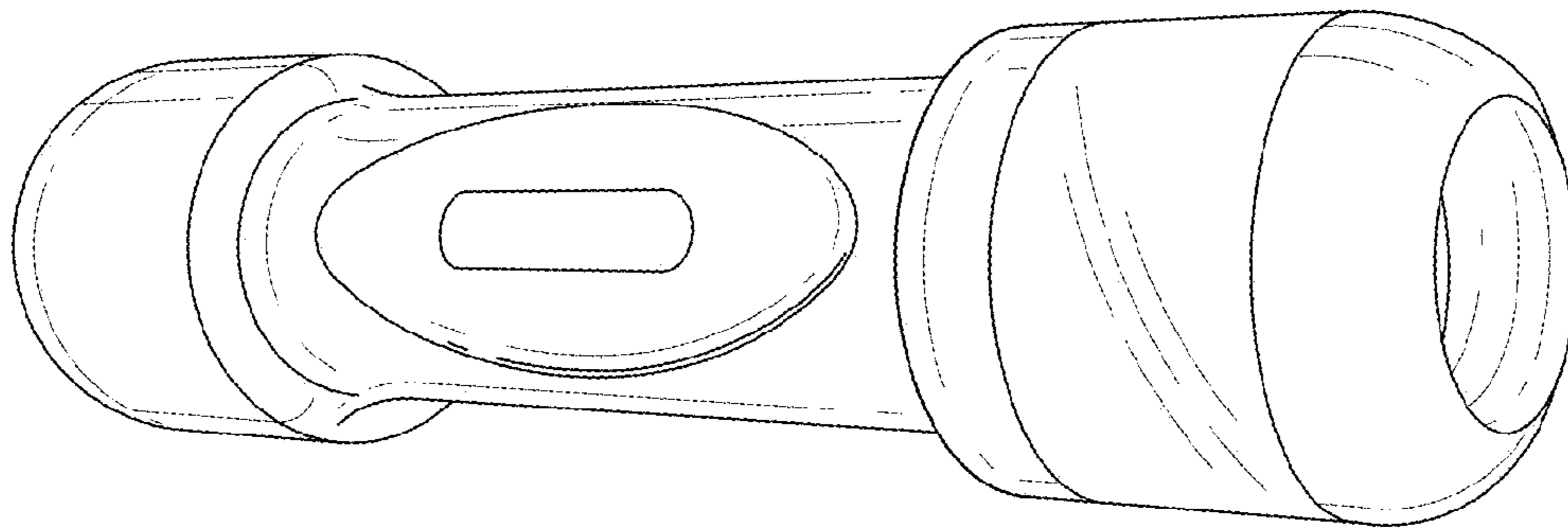


Fig-2

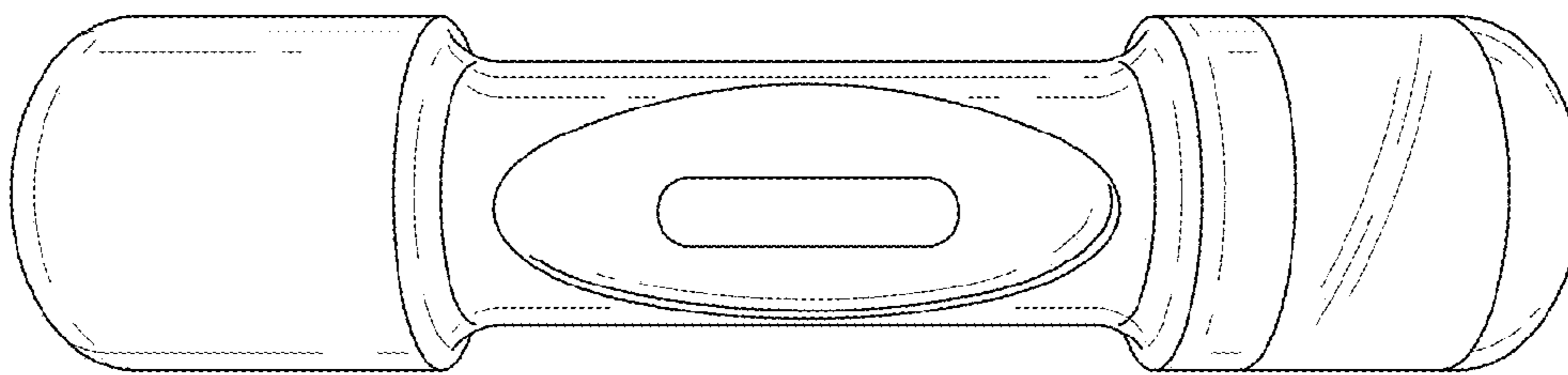


Fig-3

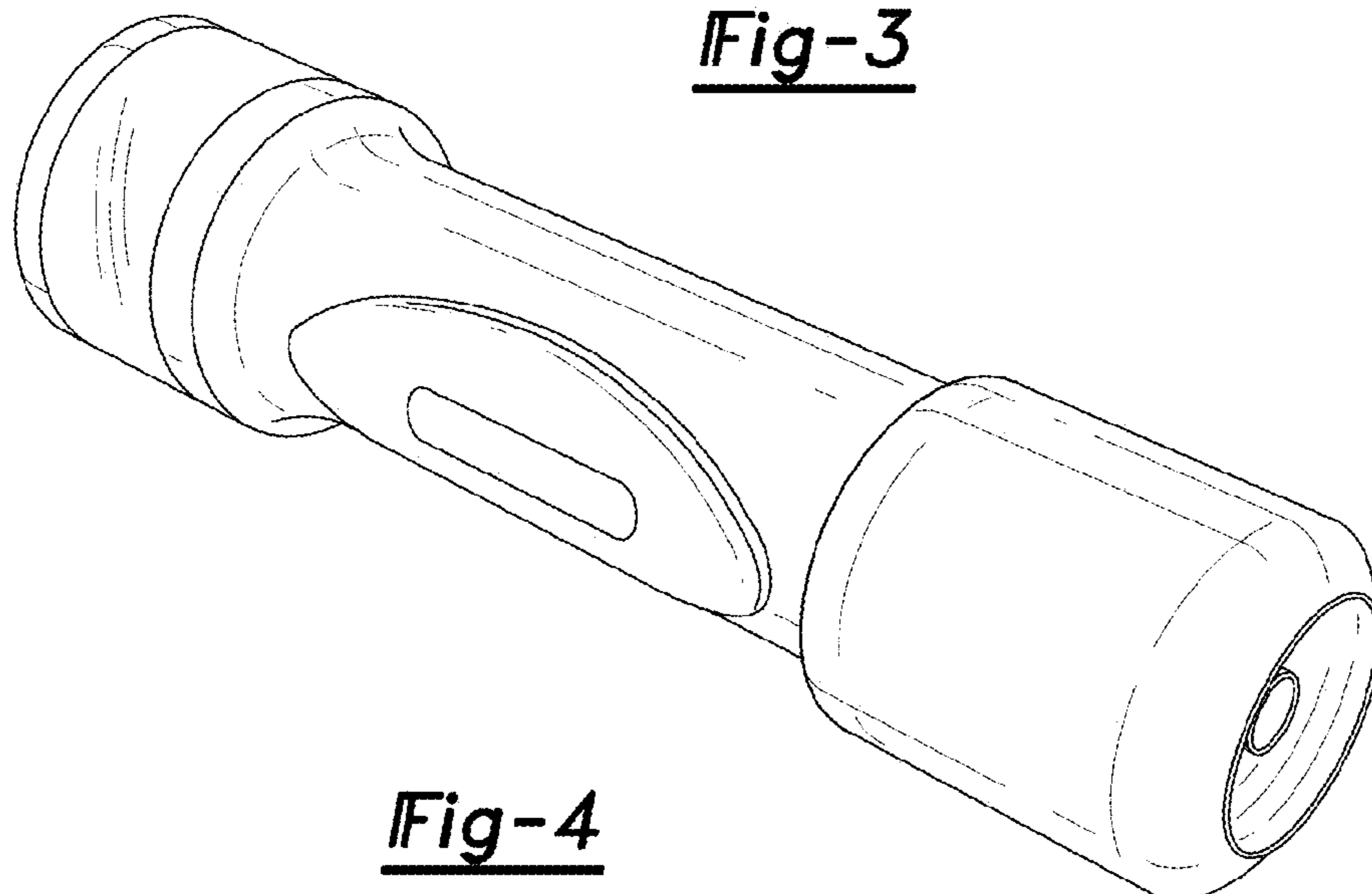


Fig-4

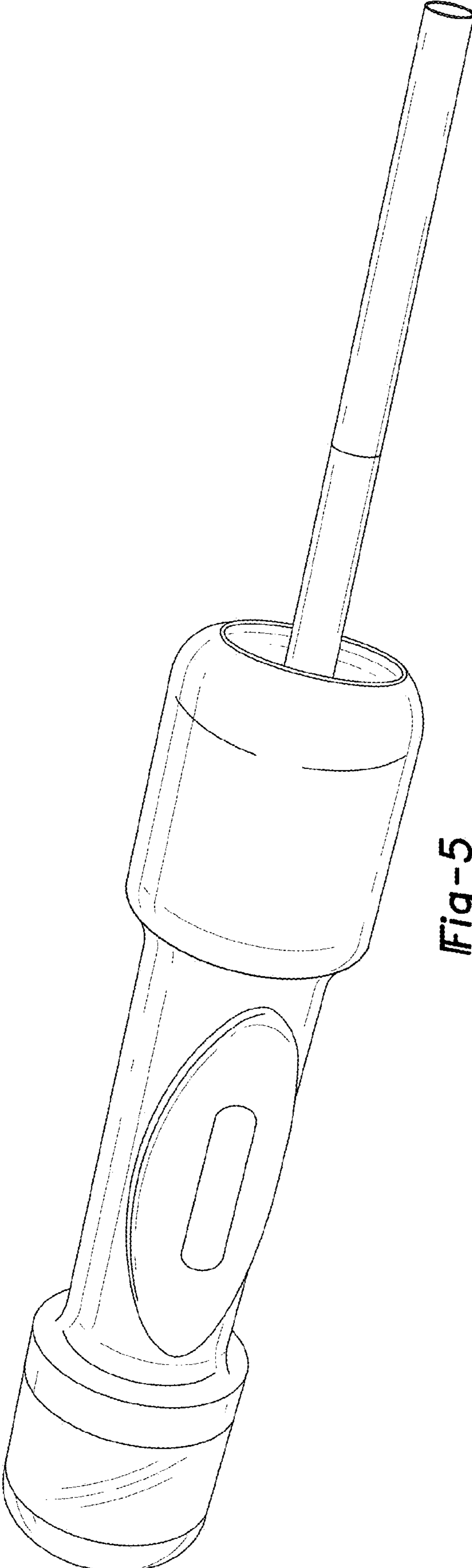


Fig-5

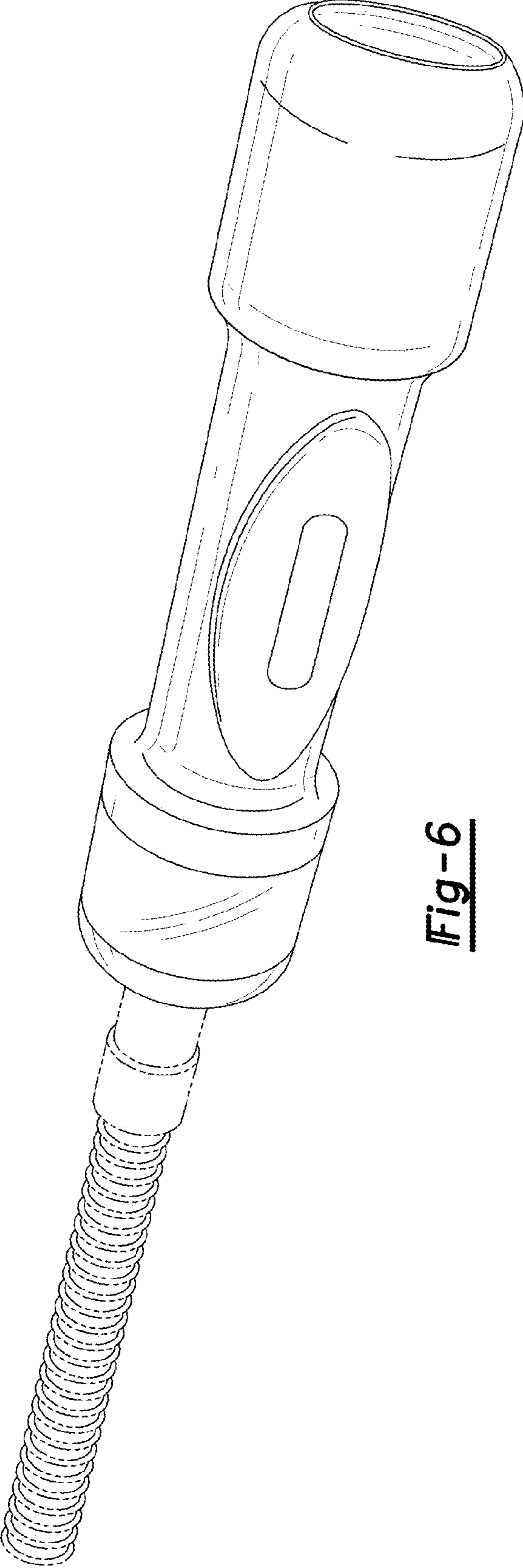


Fig-6