



US00D886988S

(12) **United States Design Patent**
Lu et al.

(10) **Patent No.:** **US D886,988 S**
(45) **Date of Patent:** **** Jun. 9, 2020**

(54) **MEDICINE CUP**
(71) Applicant: **MICROBASE TECHNOLOGY CORP.**, Taoyuan (TW)
(72) Inventors: **Chih-Wei Lu**, Taoyuan (TW);
Chang-Wei Chou, Taoyuan (TW);
Ssu-Ching Hsiao, Taoyuan (TW);
Chun-Chun Hsu, Taoyuan (TW)
(73) Assignee: **MICROBASE TECHNOLOGY CORP.**, Taoyuan (TW)

4,980,293 A * 12/1990 Jeffs B01L 3/508
422/561
D375,878 S * 11/1996 Morris D7/700
D513,549 S * 1/2006 Schuster D34/1
7,029,463 B1 * 4/2006 Estudillo A61J 19/00
604/317
D562,091 S * 2/2008 Ben Shlomo D7/700
D593,383 S * 6/2009 Pallotto D7/700
D631,544 S * 1/2011 Kraft D24/130
D634,592 S * 3/2011 Bittner D7/700
(Continued)

(**) Term: **15 Years**

JP 1088508 10/2000
JP 1130261 12/2001

(21) Appl. No.: **29/665,024**

(Continued)

(22) Filed: **Sep. 28, 2018**

Primary Examiner — Nathan M Johnston
(74) *Attorney, Agent, or Firm* — Li & Cai Intellectual Property (USA) Office

(30) **Foreign Application Priority Data**

Apr. 3, 2018 (TW) 107301920

(51) **LOC (12) Cl.** **24-04**

(52) **U.S. Cl.**
USPC **D24/121**

(58) **Field of Classification Search**
USPC D24/121, 108, 122, 127, 128, 216, 224;
604/317, 322; D7/300, 305, 318, 368,
D7/397, 401.1, 500, 533, 543, 546, 549,
D7/589, 601, 602, 619.1, 622, 637;
D9/416, 434, 438, 443, 547, 549;
D10/46.2; 220/752, 754, 755, 757, 759,
220/768, 774
CPC A61J 7/0046; A61J 2200/76; G01F 19/00;
A47G 19/2266
See application file for complete search history.

(57) **CLAIM**

The ornamental design for a medicine cup, as shown and described.

DESCRIPTION

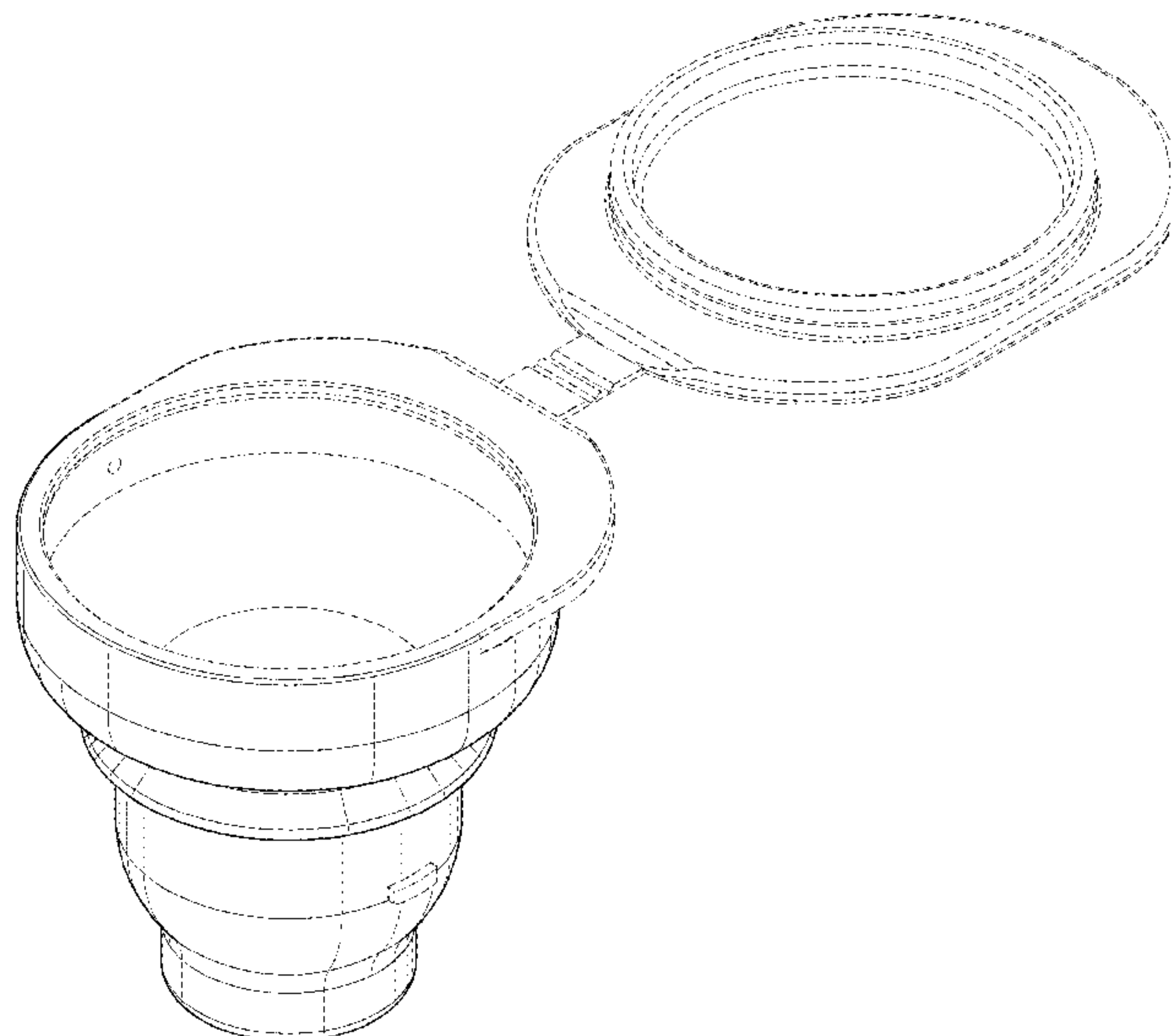
FIG. 1 is a front and top perspective view showing a medicine cup showing our new design;
FIG. 2 is a front elevational view thereof;
FIG. 3 is a rear elevational view thereof;
FIG. 4 is a left side elevational view thereof;
FIG. 5 is a right side elevational view thereof;
FIG. 6 is a top plan view thereof;
FIG. 7 is a bottom plan view thereof;
FIG. 8 is a rear and bottom perspective view thereof; and,
FIG. 9 is a front and top perspective thereof in an open position.
The broken lines depict portions of the medicine cup in which the design is embodied that form no part of the claimed design.

(56) **References Cited**

U.S. PATENT DOCUMENTS

D303,587 S * 9/1989 Quinn D24/110.4
D310,123 S * 8/1990 Carlson D23/200

1 Claim, 9 Drawing Sheets



(56)

References Cited

U.S. PATENT DOCUMENTS

D651,322 S * 12/2011 Svard D24/224
D654,166 S * 2/2012 Lair D24/129
D662,794 S * 7/2012 Enghard D7/700
D670,141 S * 11/2012 Cetera D7/691
D670,143 S * 11/2012 Cetera D7/691
D676,292 S * 2/2013 Cetera D7/700
D699,846 S * 2/2014 Leroy D24/138
D728,808 S * 5/2015 Sakulsacha D24/196
D805,164 S * 12/2017 Norman D23/259
D815,925 S * 4/2018 Rapparini D9/500
D840,760 S * 2/2019 Carrette D7/602
D856,750 S * 8/2019 Pucci D7/400
D868,550 S * 12/2019 Steel D7/700
2010/0160909 A1 * 6/2010 Gallo, Sr. A61B 18/00
606/41
2010/0210969 A1 * 8/2010 Hansen A61F 5/44
600/573
2018/0021528 A1 * 1/2018 Hsieh A61M 15/0085
128/200.16

FOREIGN PATENT DOCUMENTS

JP D1439699 3/2012
KR 30-0757138 8/2014

* cited by examiner

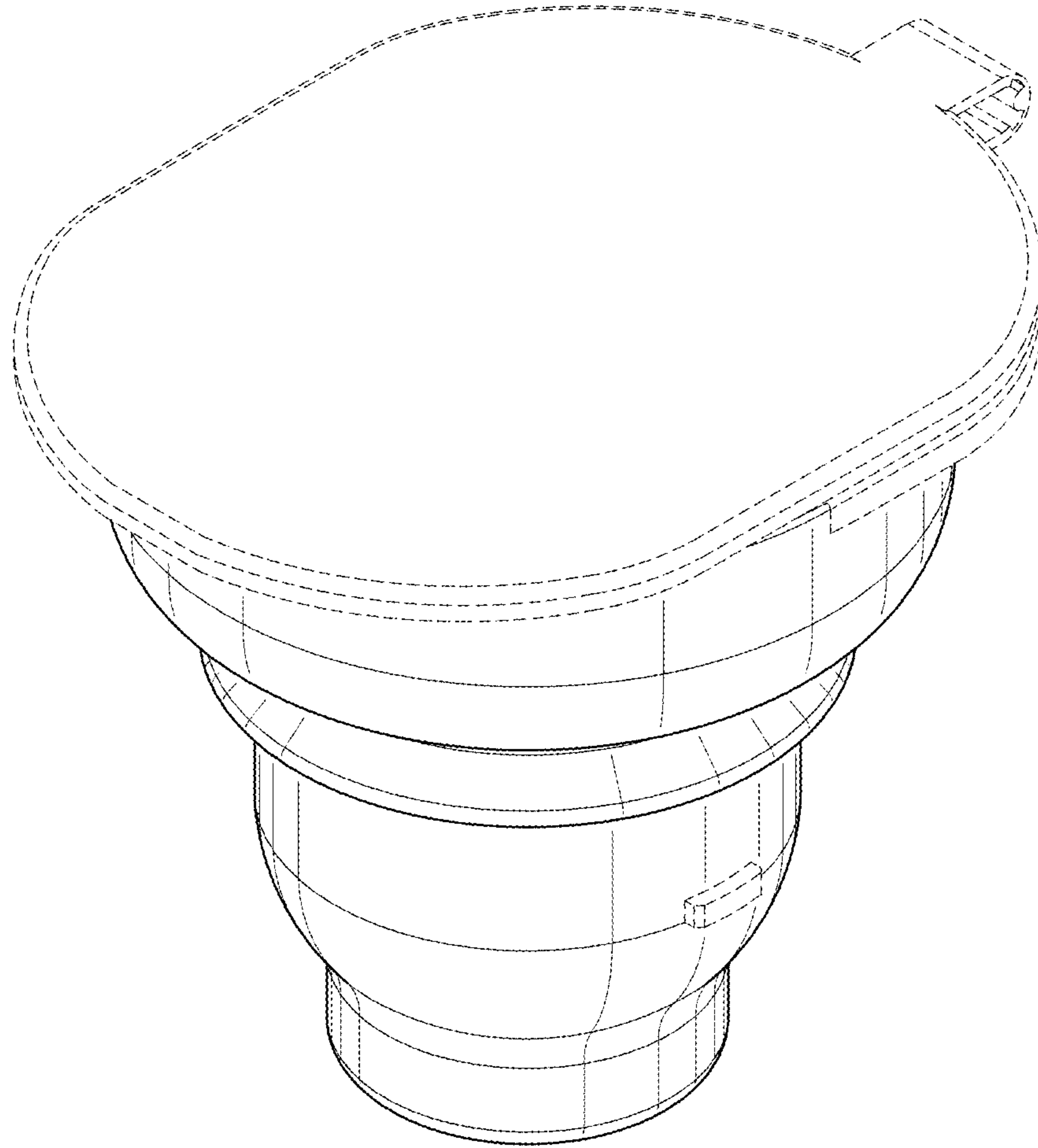


FIG. 1

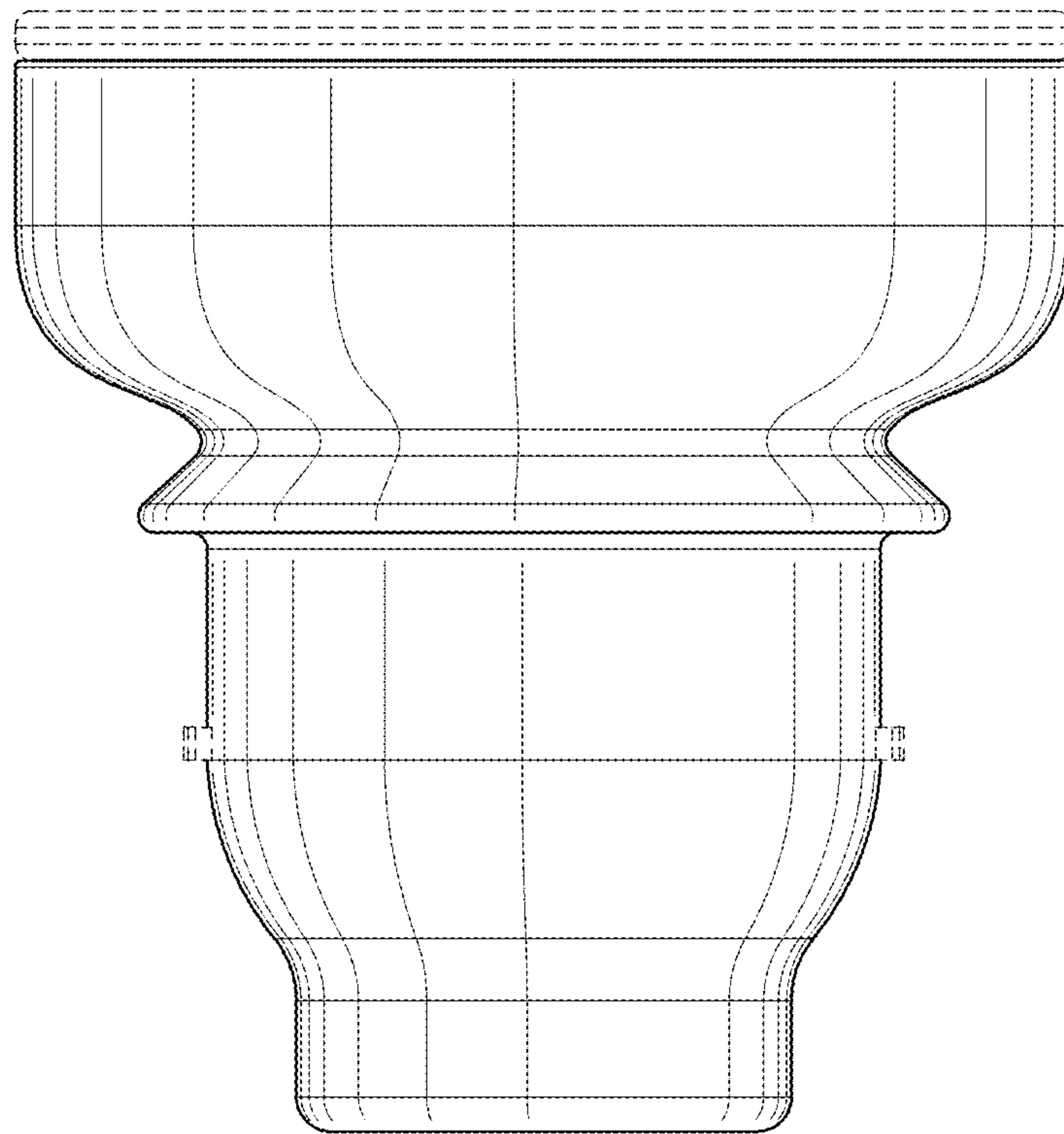


FIG. 2

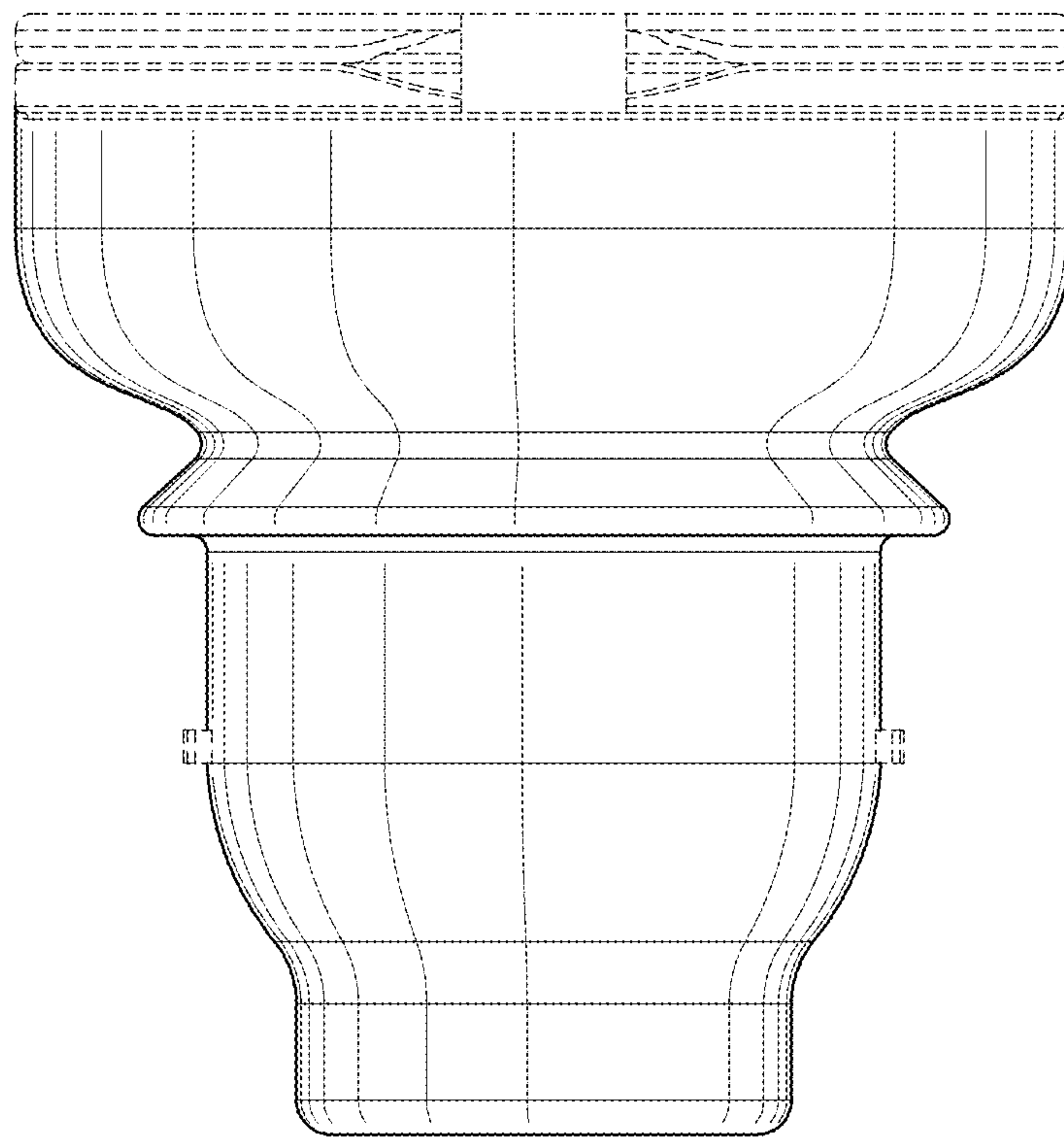


FIG. 3

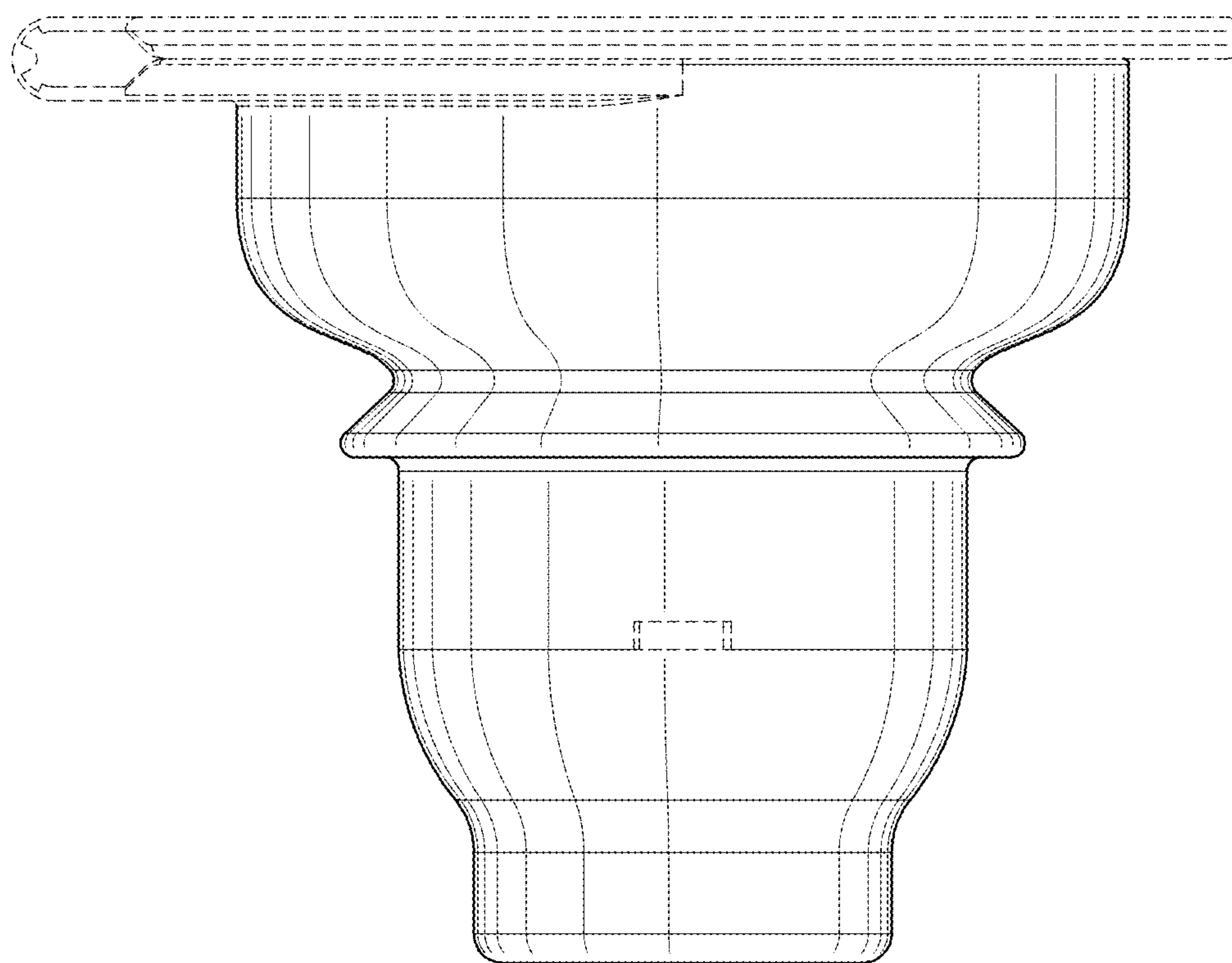


FIG. 4

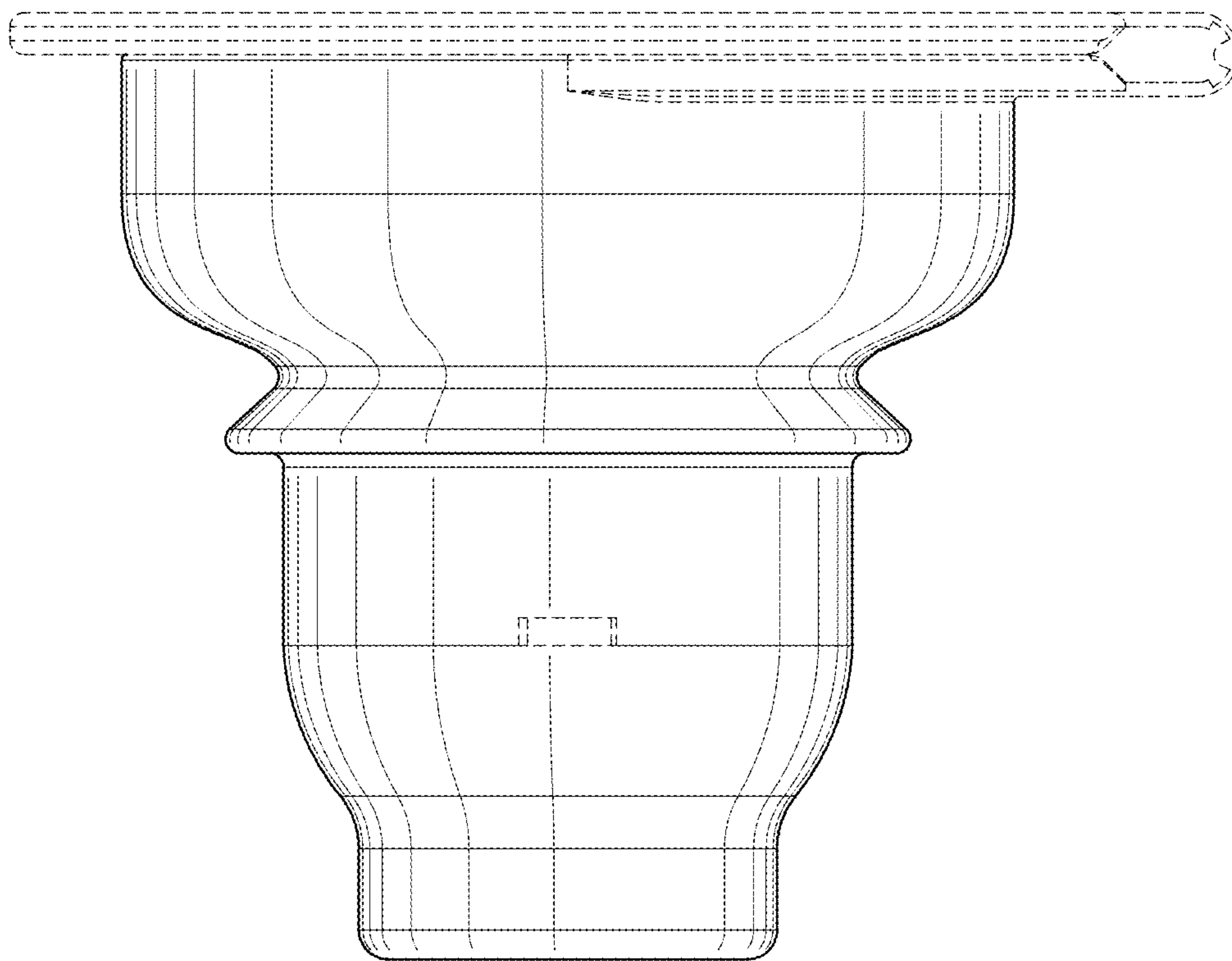


FIG. 5

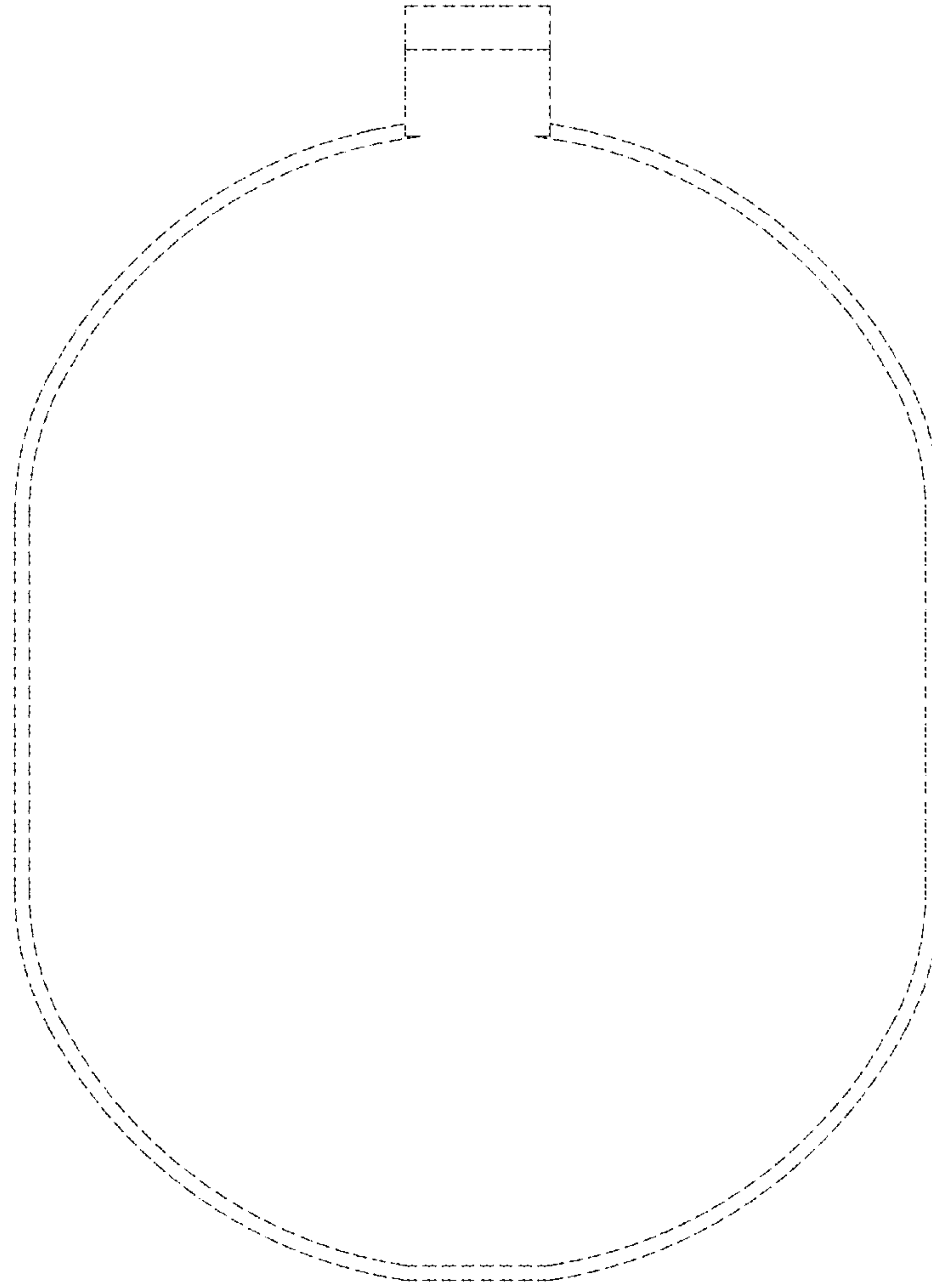


FIG. 6

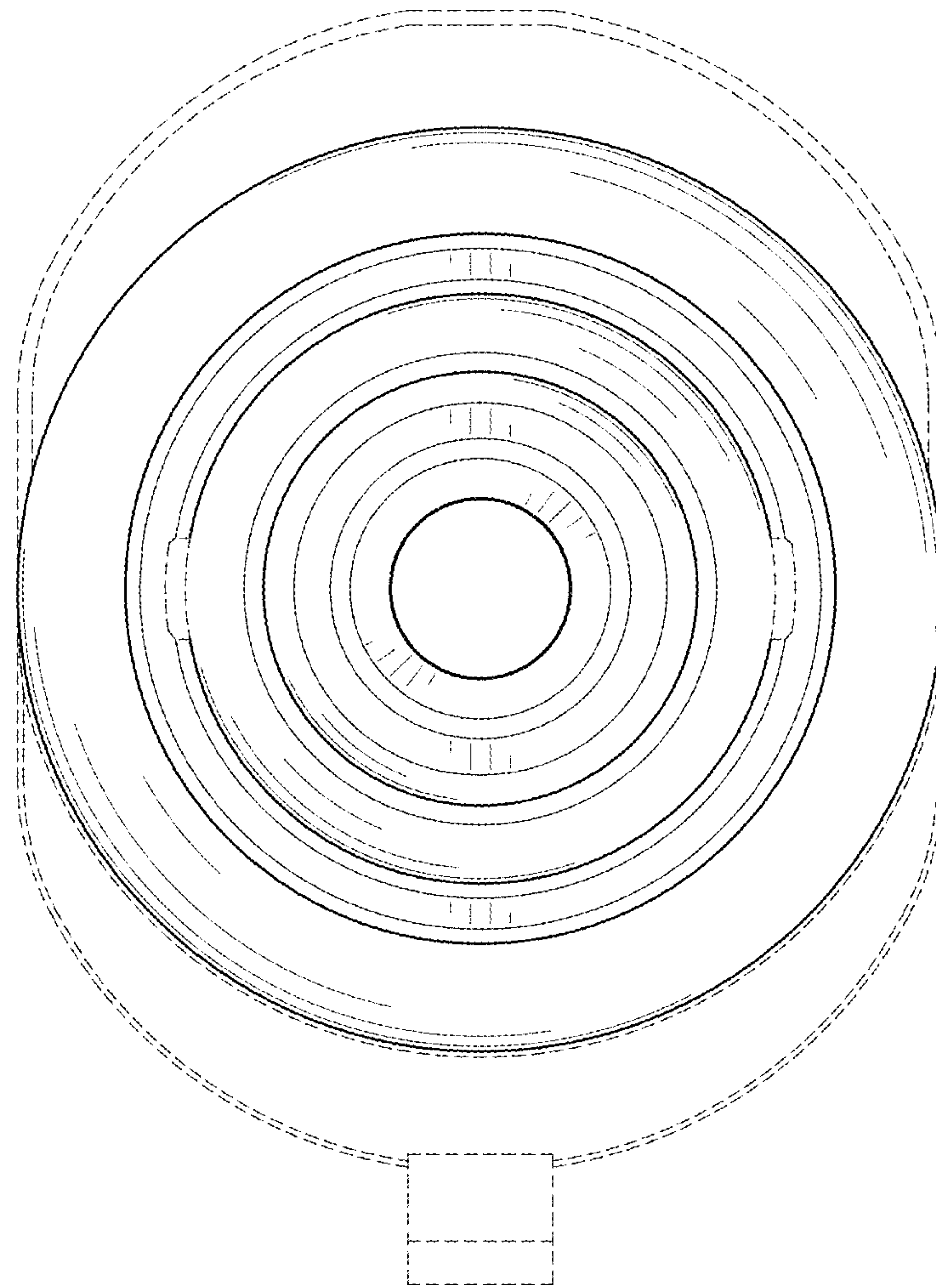


FIG. 7

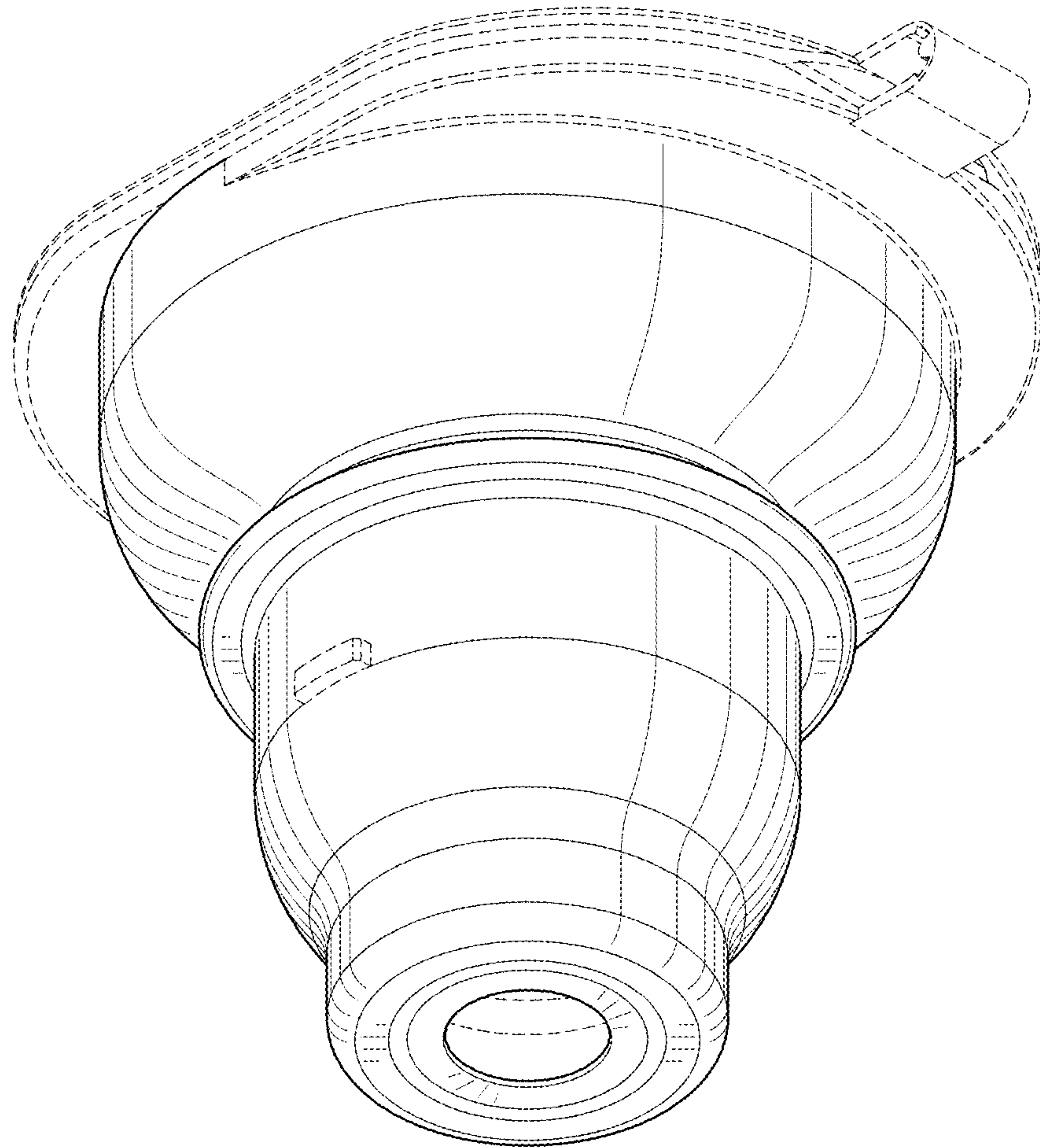


FIG. 8

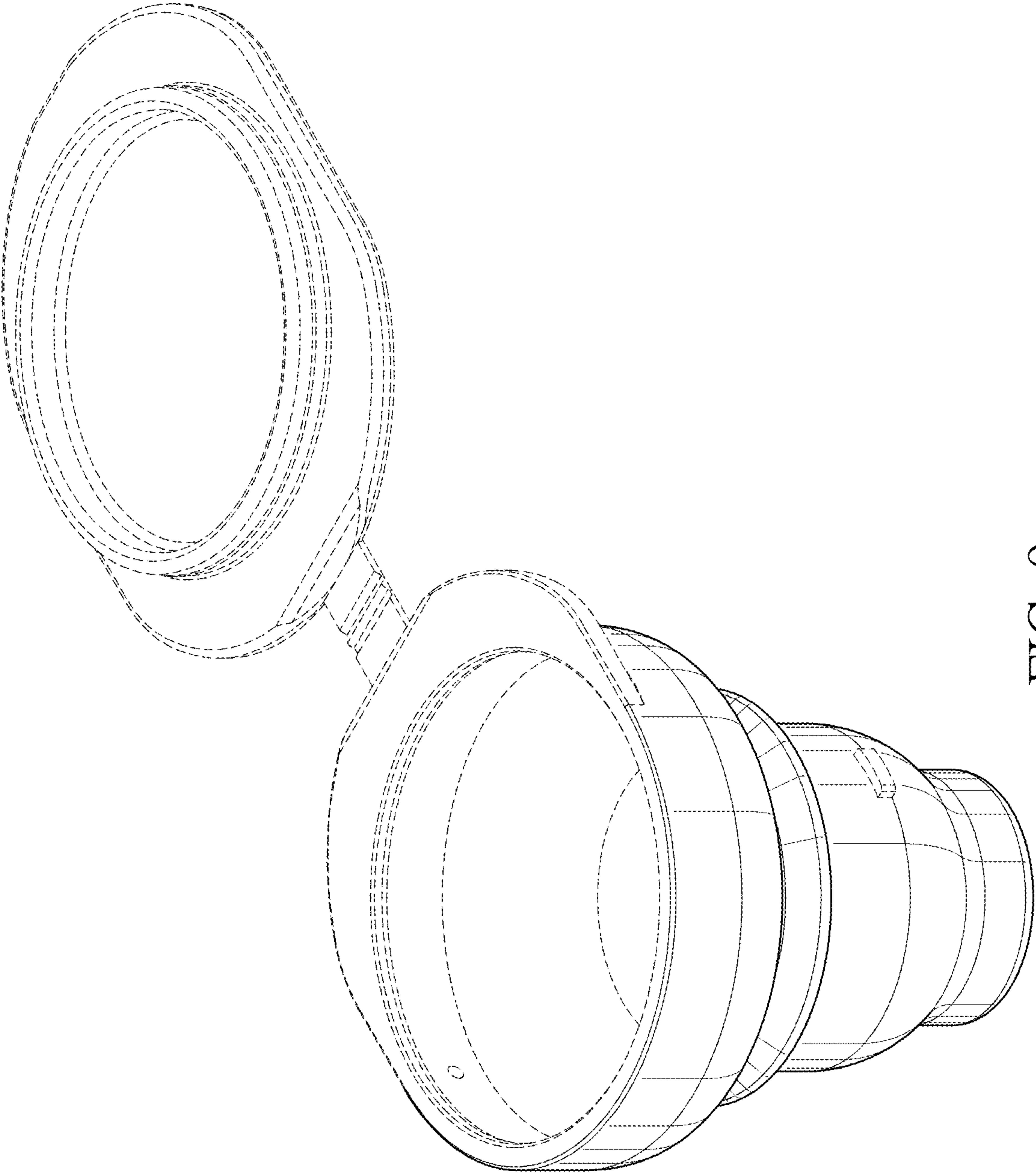


FIG. 9