



US00D886987S

(12) **United States Design Patent** (10) **Patent No.:** **US D886,987 S**
Kaye et al. (45) **Date of Patent:** **** Jun. 9, 2020**

(54) **SYRINGE DISPENSING DEVICE**
(71) Applicant: **Henkel IP & Holding GmbH**,
Duesseldorf (DE)
(72) Inventors: **Glenn W Kaye**, Stamford, CT (US);
Samuel Edward Nuckels, Florence, AL
(US); **Ganapathi Solan Devar**,
Trumbull, CT (US)

(73) Assignee: **Henkel IP & Holding GmbH** (DE)

(**) Term: **15 Years**

(21) Appl. No.: **29/674,479**

(22) Filed: **Dec. 21, 2018**

(51) **LOC (12) Cl.** **24-02**

(52) **U.S. Cl.**
USPC **D24/114**

(58) **Field of Classification Search**
USPC D24/112–114, 108, 133, 130, 127, 186;
606/181, 185; 604/264, 272, 187, 181,
604/184, 227
CPC A61M 5/178; A61M 3/00; A61M 5/20;
A61M 5/31; A61M 5/3146; A61M
5/3129; A61M 5/3148
See application file for complete search history.

(56) **References Cited**

U.S. PATENT DOCUMENTS

3,910,273 A * 10/1975 Arlers A61M 5/24
604/228
5,505,721 A * 4/1996 Leach A61B 5/15003
604/257
5,697,918 A * 12/1997 Fischer A61J 1/2096
433/90
D489,819 S * 5/2004 Ford D24/112
7,591,805 B2 * 9/2009 Lampropoulos A61M 5/14
604/187

D609,333 S * 2/2010 Holmes D24/114
D627,065 S * 11/2010 Ade D24/130
D692,308 S * 10/2013 Baker D24/114
D699,342 S * 2/2014 Suzuki D24/114
D830,541 S * 10/2018 Walker D24/114
D830,542 S * 10/2018 Walker D24/114
D830,543 S * 10/2018 Walker D24/114
D837,983 S * 1/2019 Fangrow A61M 5/142
D24/146

* cited by examiner

Primary Examiner — David G Muller

(74) *Attorney, Agent, or Firm* — Bojuan Deng

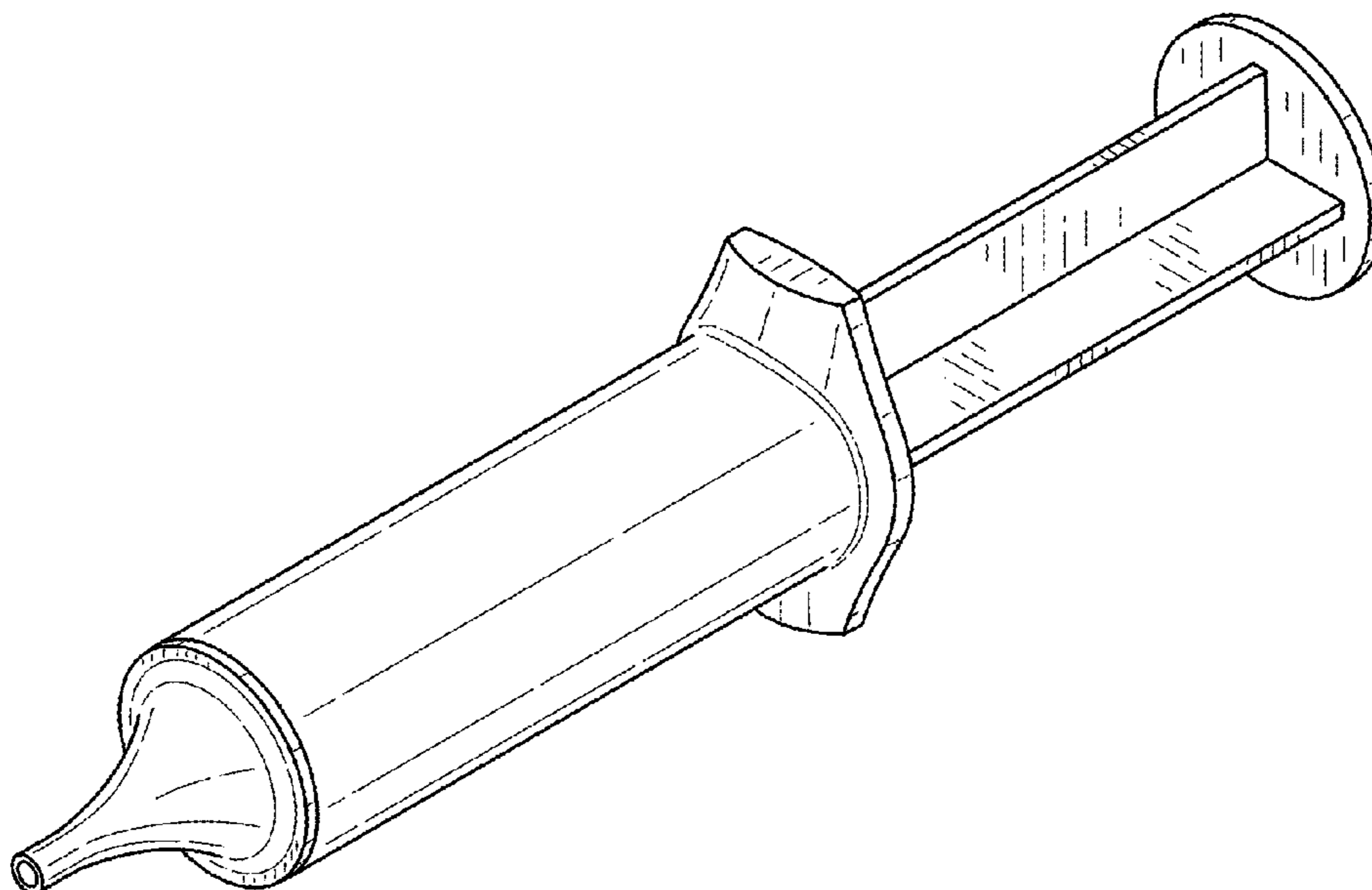
(57) **CLAIM**

The ornamental design for syringe dispensing device, as shown and described.

DESCRIPTION

FIG. 1 is a front perspective view of a syringe dispensing device according to a first embodiment of the new design; FIG. 2 is a front view of the first embodiment; FIG. 3 is a rear view of the first embodiment; FIG. 4 is a right side view of the first embodiment; FIG. 5 is a left side view of the first embodiment; FIG. 6 is a top view of the first embodiment; FIG. 7 is a bottom view of the first embodiment; FIG. 8 is a front perspective view of a syringe dispensing device according to a second embodiment of the new design; FIG. 9 is a front side view of the second embodiment; FIG. 10 is a rear side view of the second embodiment; FIG. 11 is a right side view of the second embodiment; FIG. 12 is a left side view of the second embodiment; FIG. 13 is a top view of the second embodiment; and, FIG. 14 is a bottom view of the second embodiment. The broken lines are included for the purpose of illustrating the portions of the syringe dispensing device that form no part of the claimed design.

1 Claim, 12 Drawing Sheets



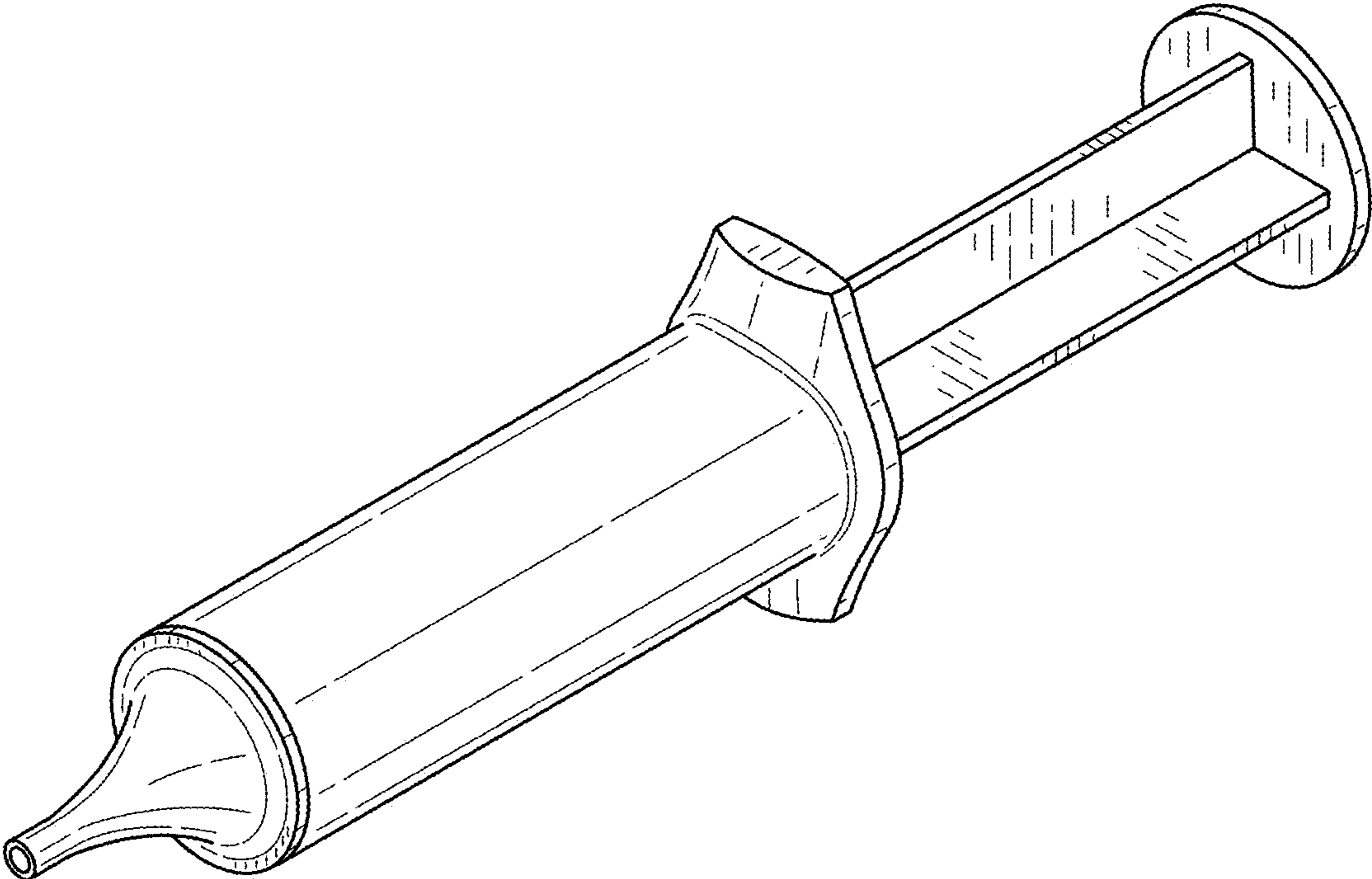


FIG.1

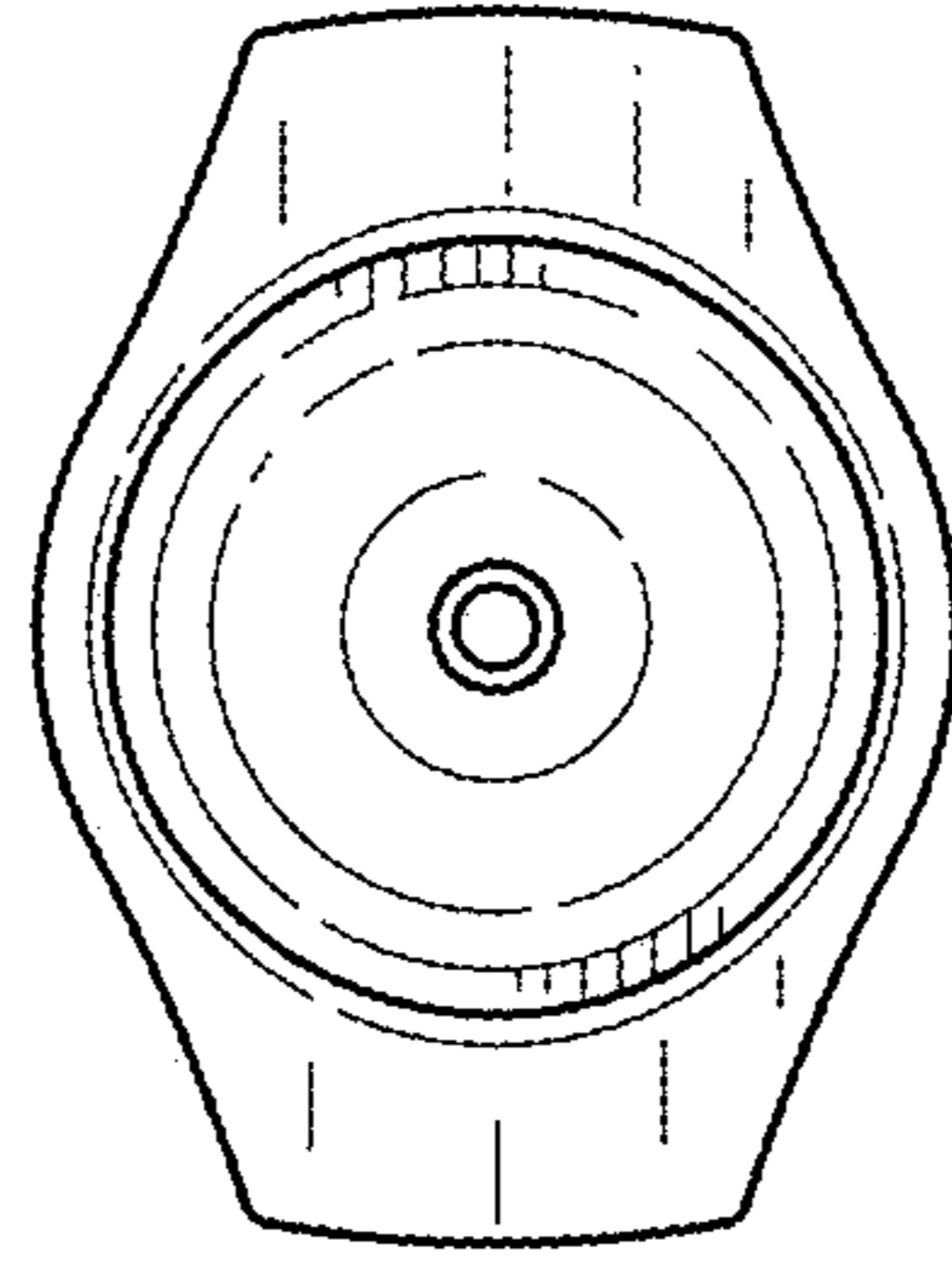


FIG.2

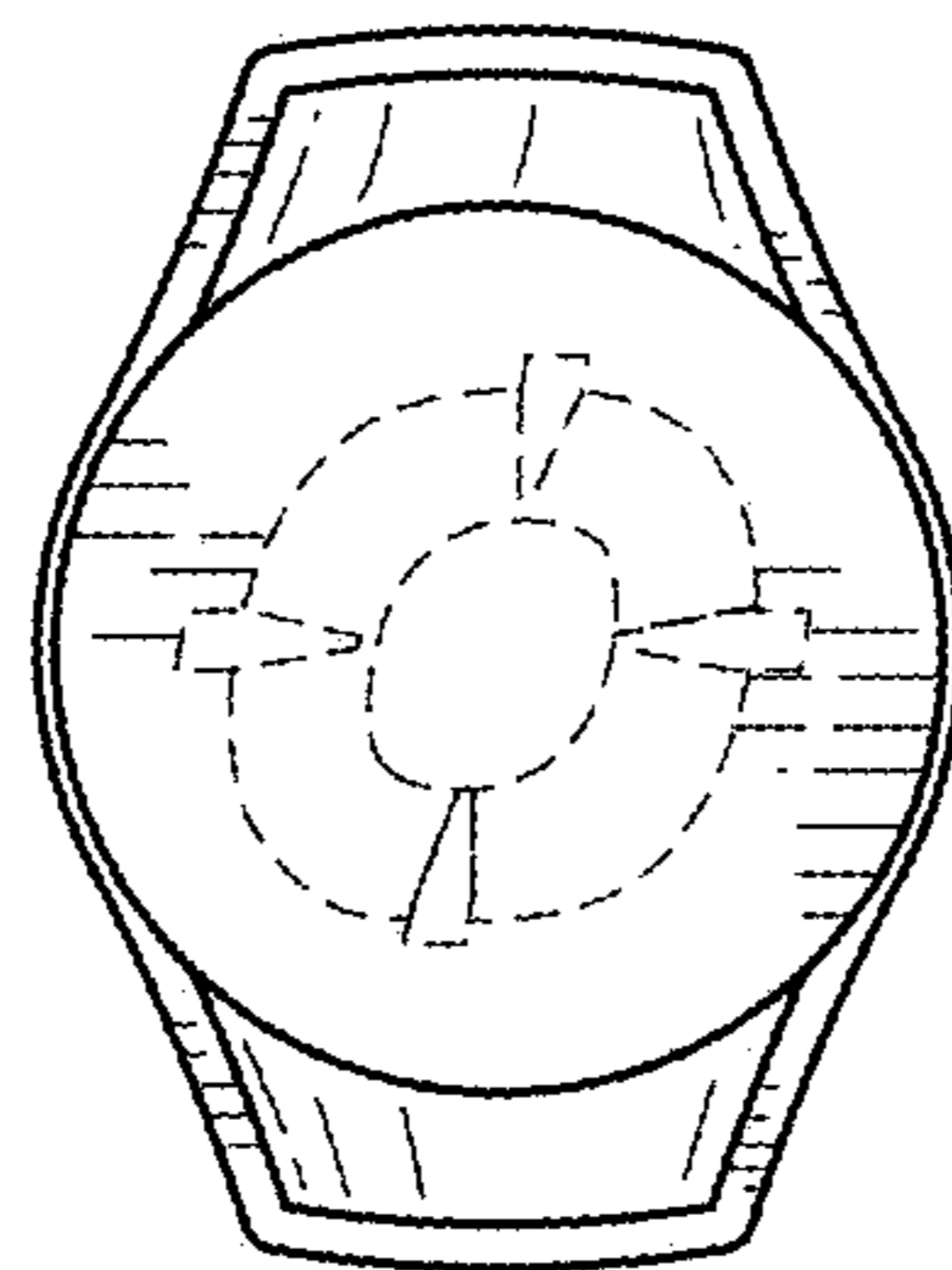


FIG.3

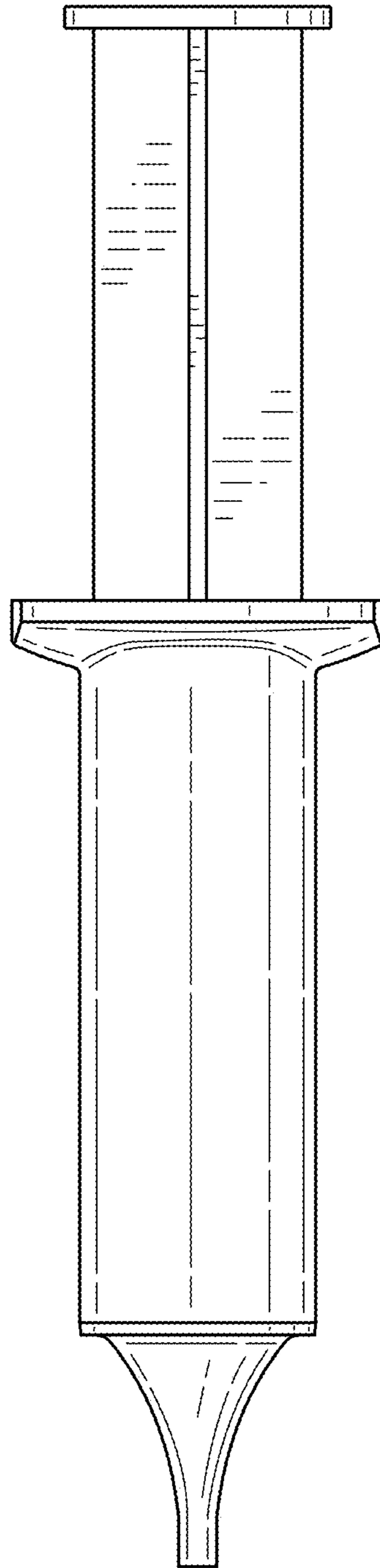


FIG.4

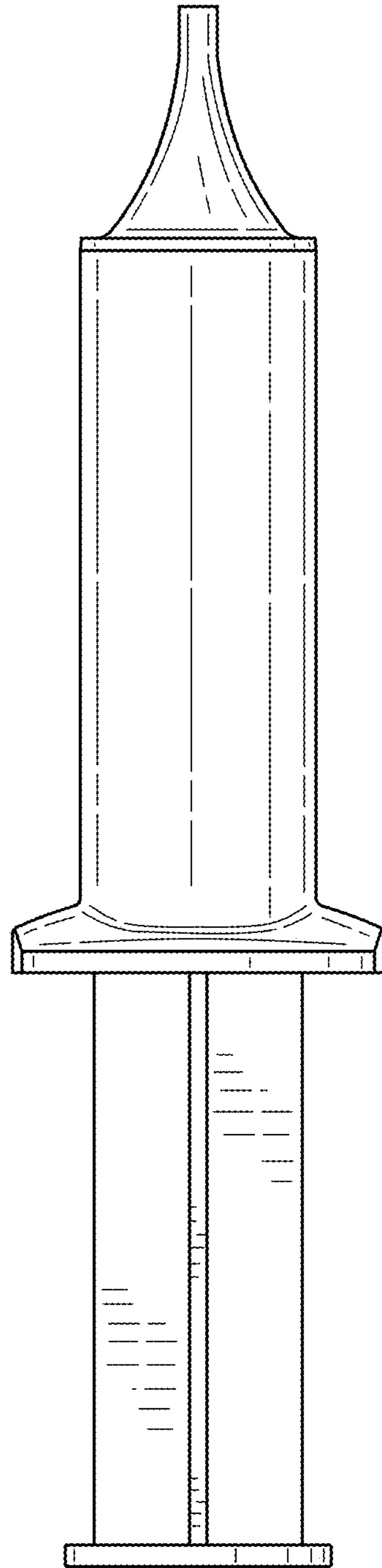


FIG.5

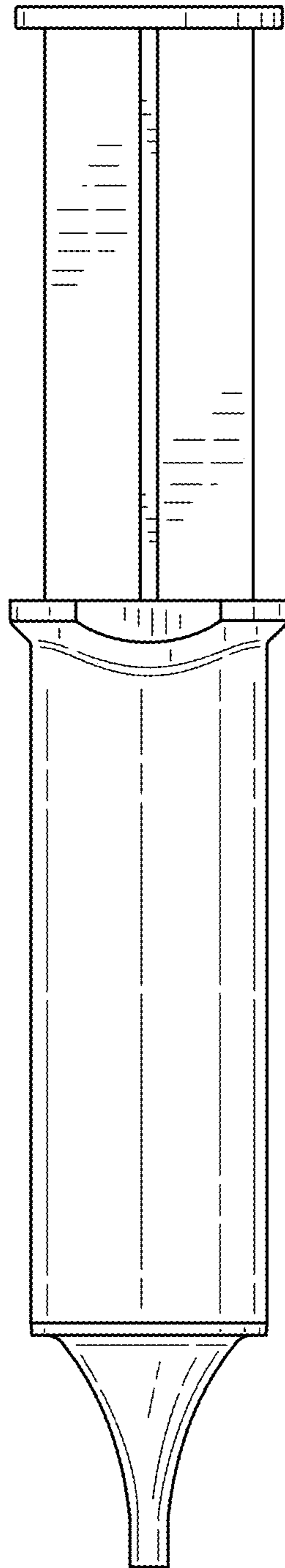


FIG.6

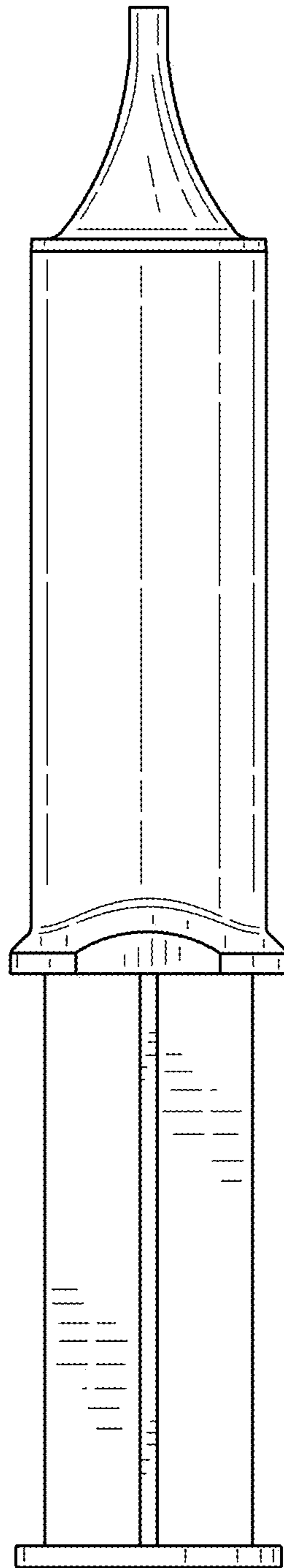


FIG.7

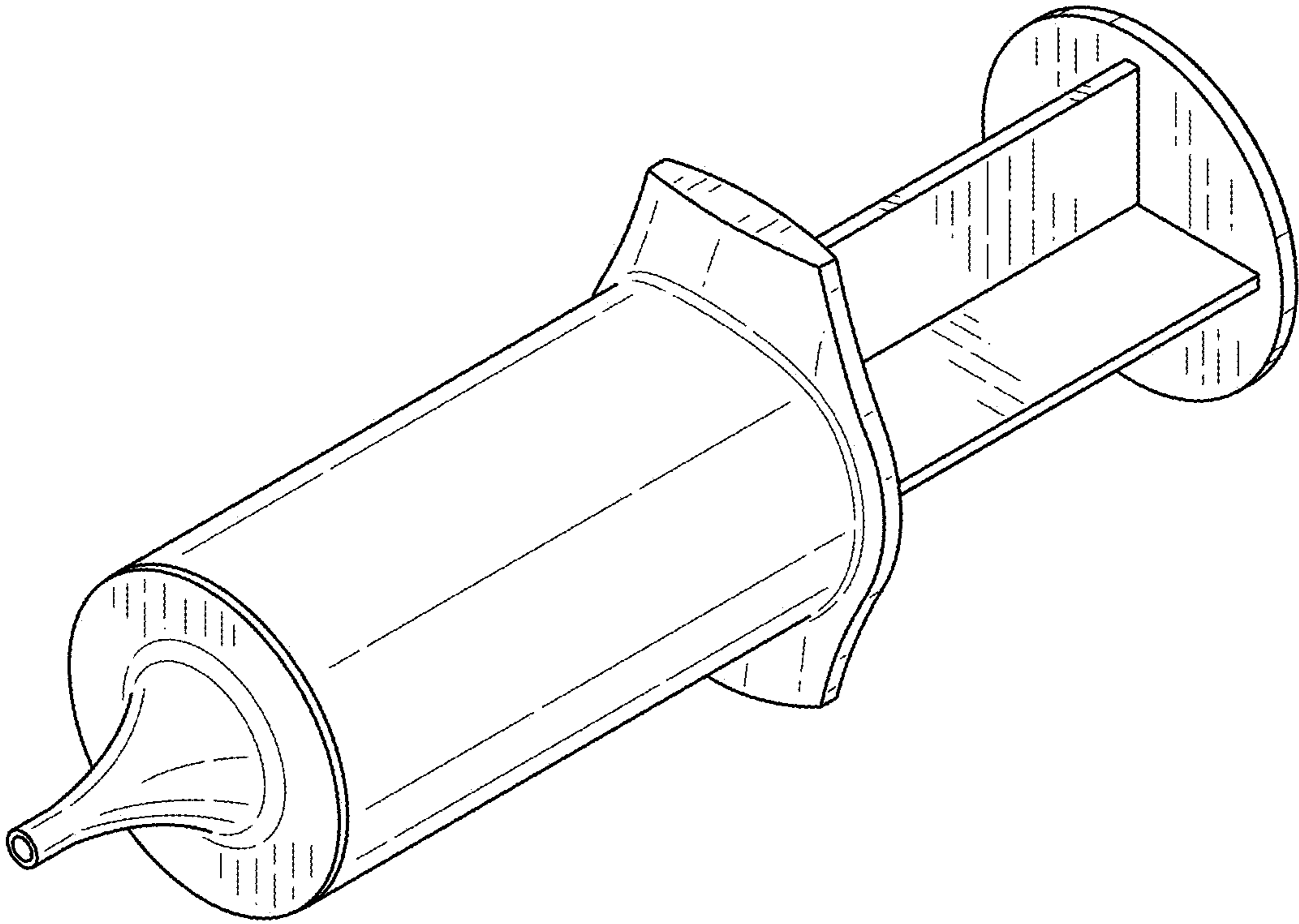


FIG.8

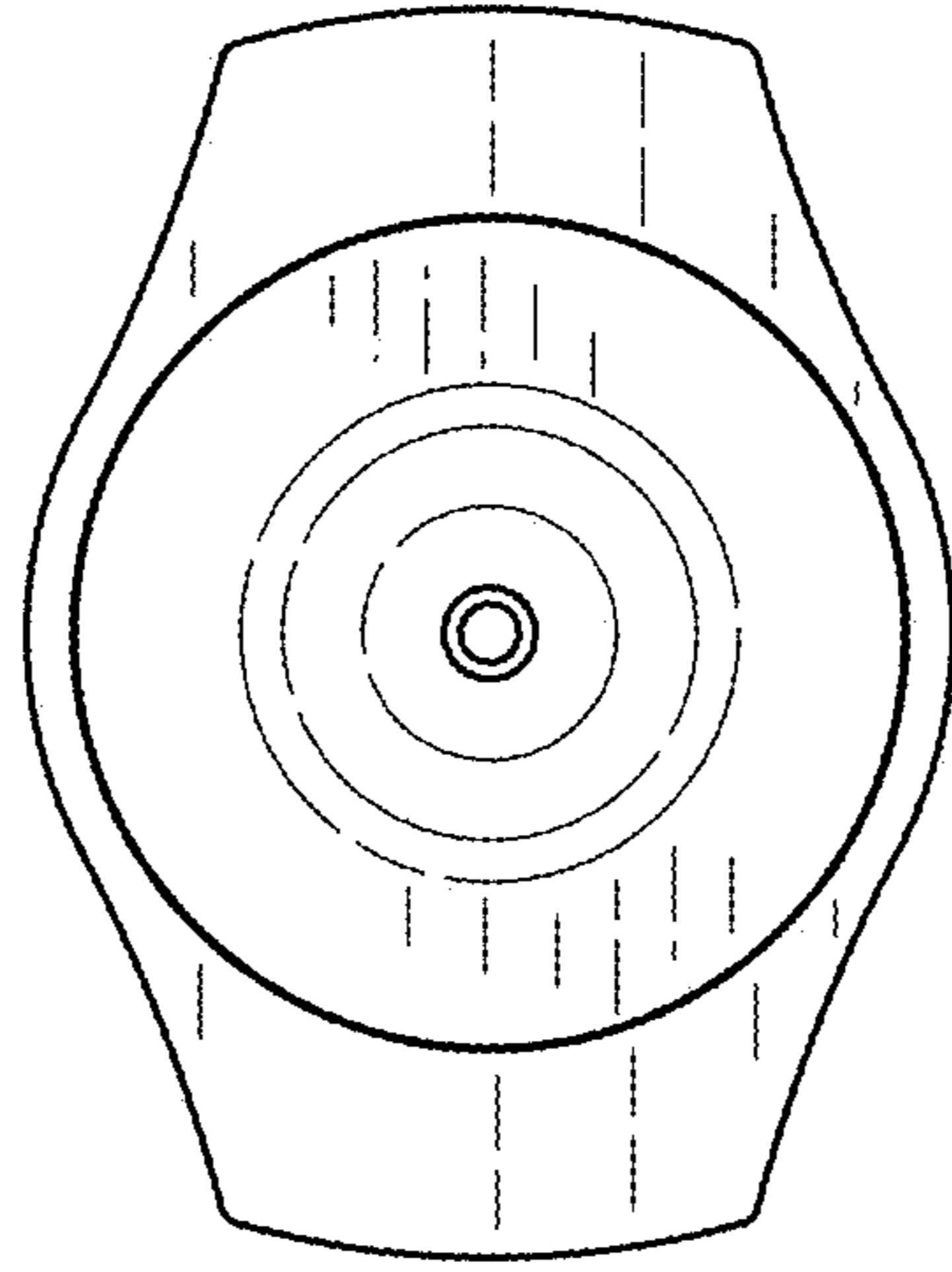


FIG.9

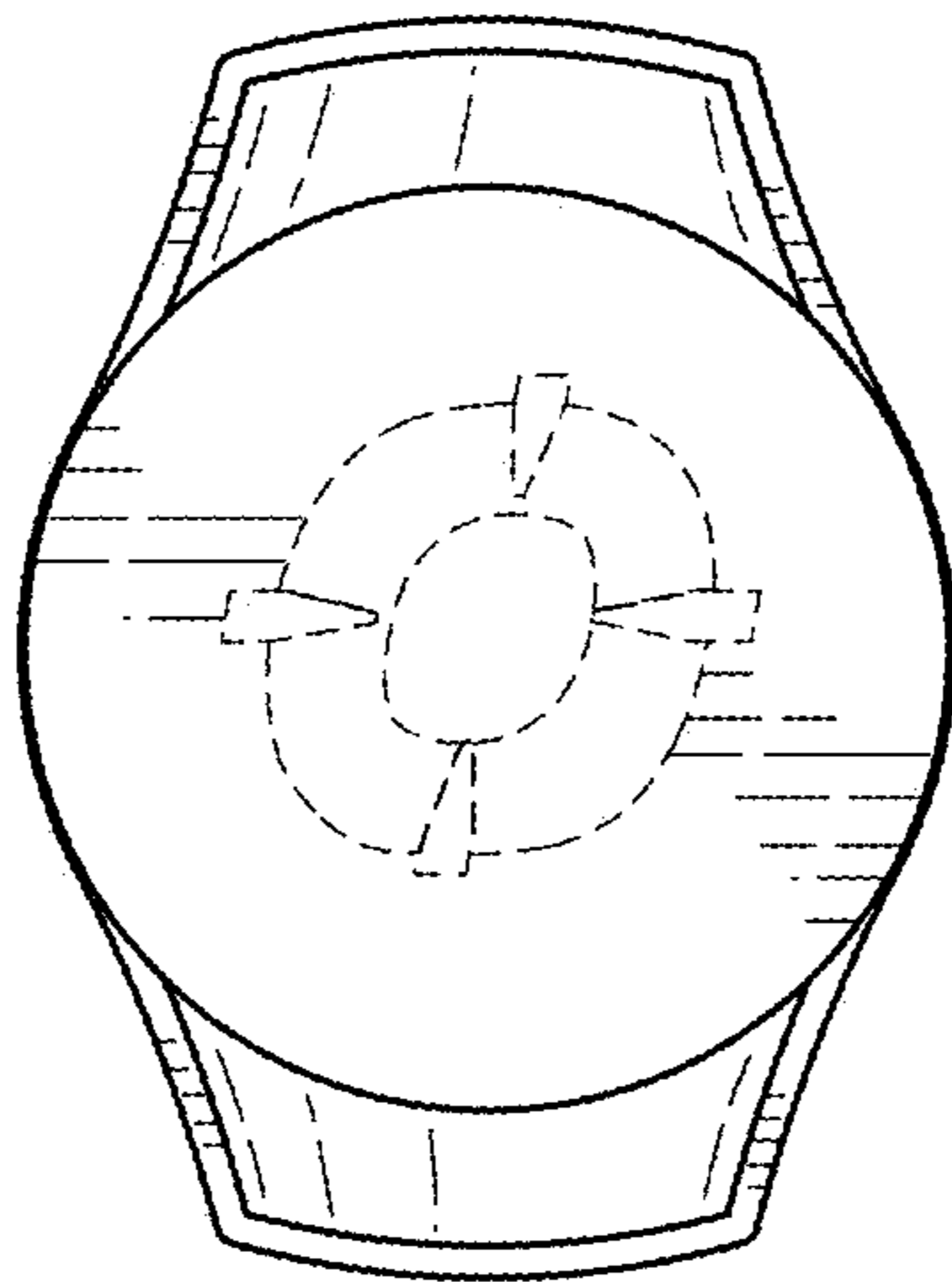


FIG.10

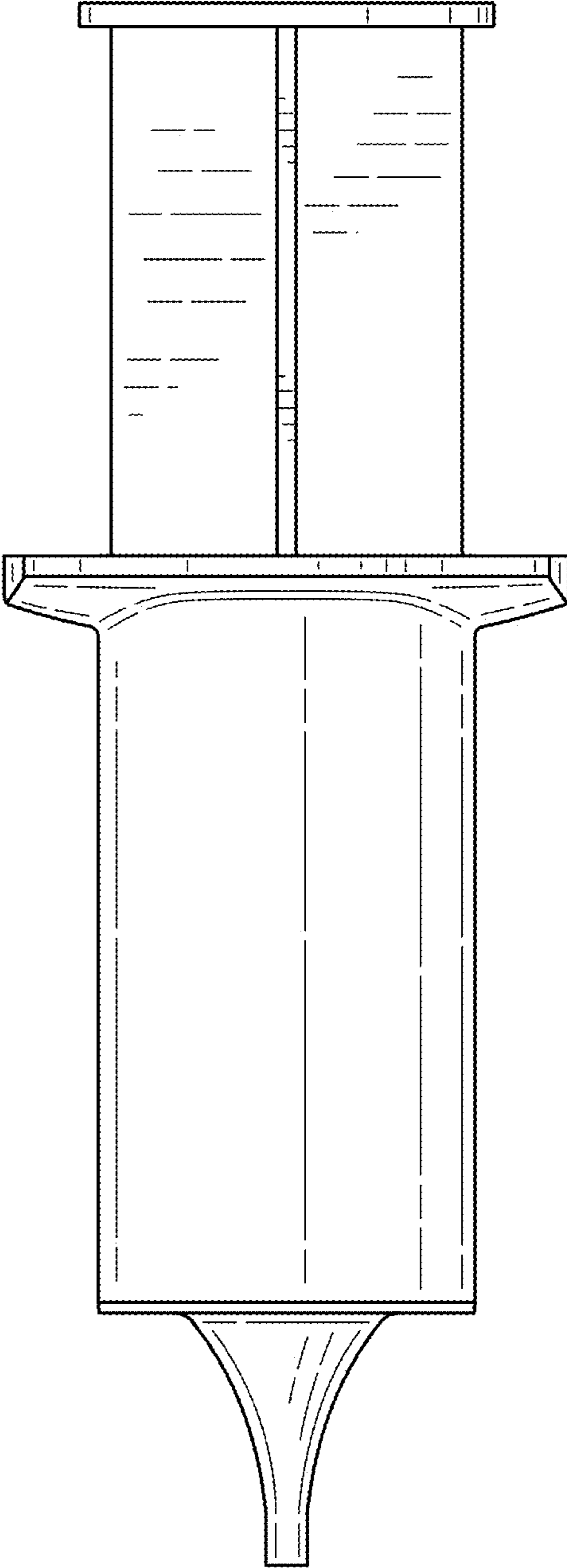


FIG.11

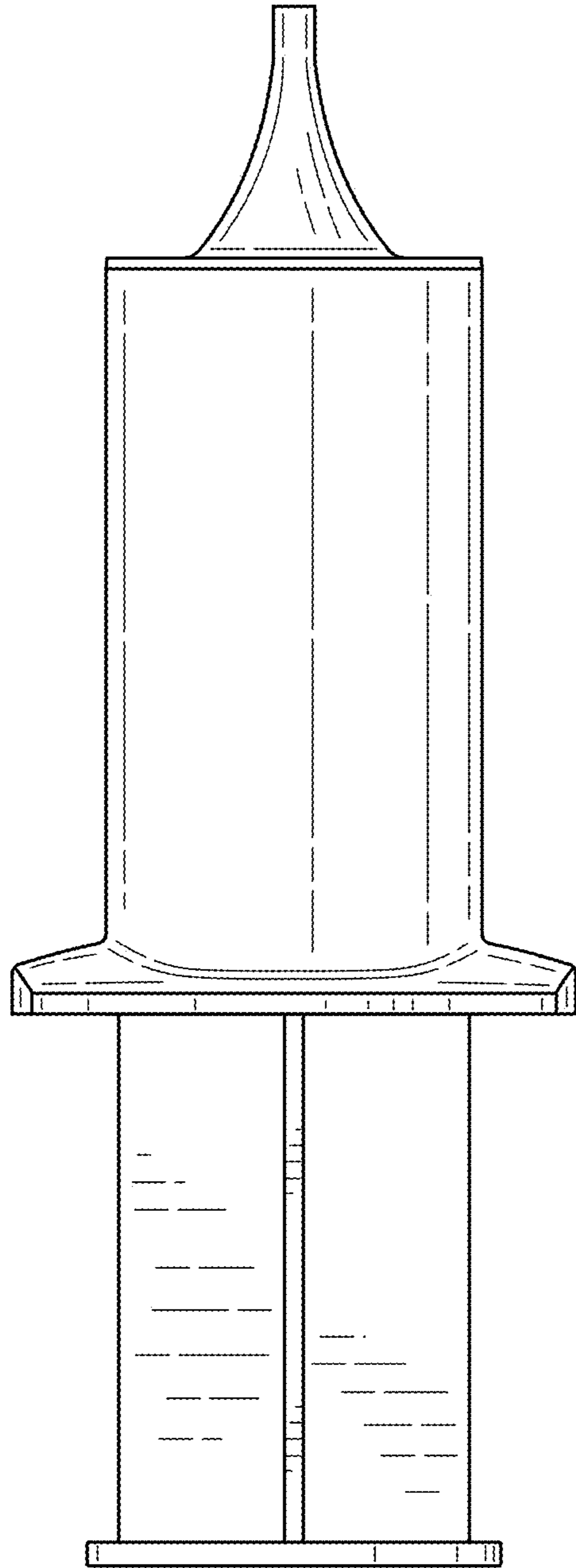


FIG.12

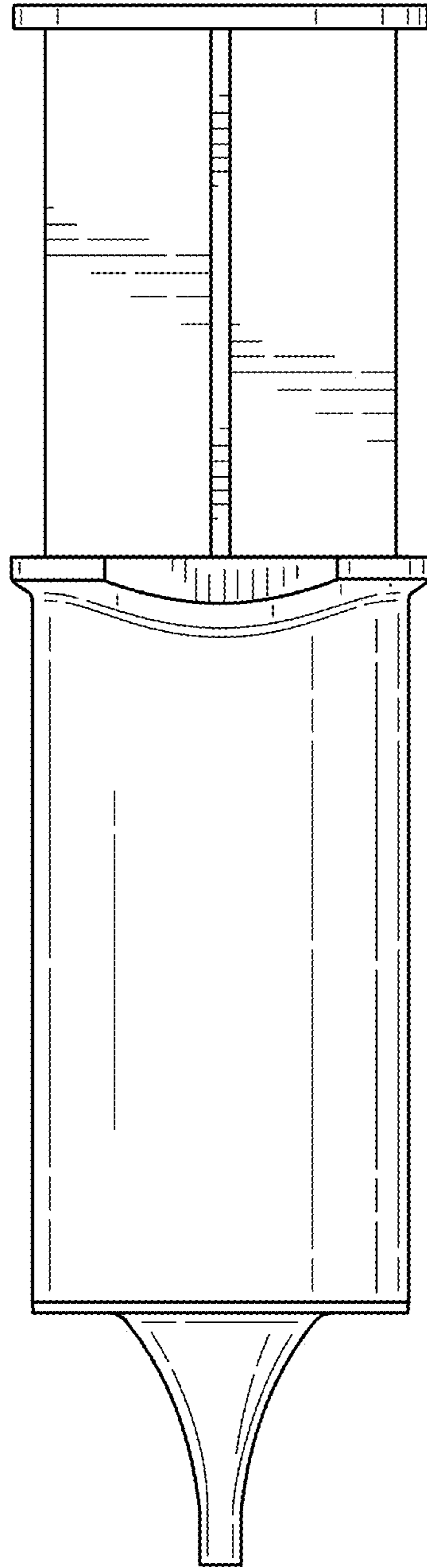


FIG.13

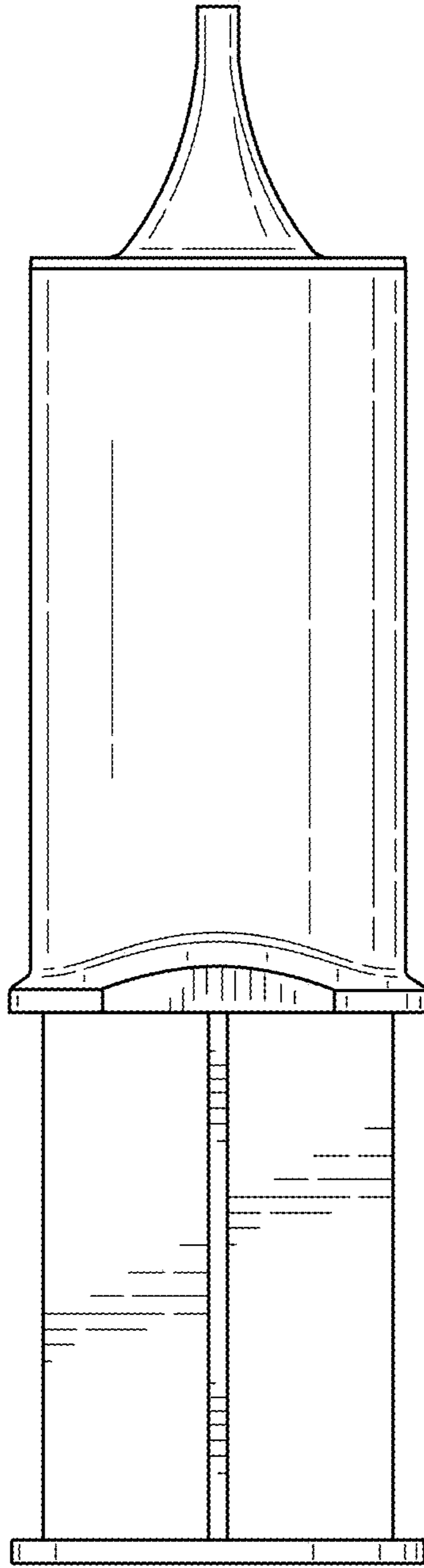


FIG.14