



US00D886985S

(12) **United States Design Patent**  
**Subbanna et al.**

(10) **Patent No.:** **US D886,985 S**  
(45) **Date of Patent:** **\*\* Jun. 9, 2020**

(54) **BREAST SHIELD**

(71) Applicant: **Royal Industries (Thailand) Public Company Limited**, SamutSakorn (TH)

(72) Inventors: **Mahesh Subbanna**, SamutSakorn (TH); **Stanley Theodore**, SamutSakorn (TH)

(73) Assignee: **Royal Industries (Thailand) Public Company Limited** (TH)

(\*\*) Term: **15 Years**

(21) Appl. No.: **29/657,241**

(22) Filed: **Jul. 20, 2018**

(51) **LOC (12) Cl.** ..... **24-02**

(52) **U.S. Cl.**  
USPC ..... **D24/109**

(58) **Field of Classification Search**  
USPC ..... D24/107-109, 127, 193; D7/700  
CPC ..... A61M 1/062; A61M 1/06; A61M 1/066;  
A61M 1/064; A61J 13/00  
See application file for complete search history.

(56) **References Cited**

**U.S. PATENT DOCUMENTS**

D446,852 S \* 8/2001 Johansen ..... D24/109  
D446,853 S \* 8/2001 Johansen ..... D24/109  
6,383,164 B1 \* 5/2002 Johansen ..... A61M 1/06  
604/74  
D810,924 S \* 2/2018 Emmenegger ..... D24/109

(Continued)

**FOREIGN PATENT DOCUMENTS**

WO WO-D085688-005 \* 8/2016

**OTHER PUBLICATIONS**

ksPUR Infinity Double Electric Breast Pump: Modern Mom. PUR Thailand. YouTube. Date Published: Mar. 21, 2018. Retrieved from Internet: <https://www.youtube.com/watch?v=KFDE7K7s2ag> (Year: 2018).\*

*Primary Examiner* — Lilyana Bekic

(74) *Attorney, Agent, or Firm* — Calfee, Halter & Griswold LLP

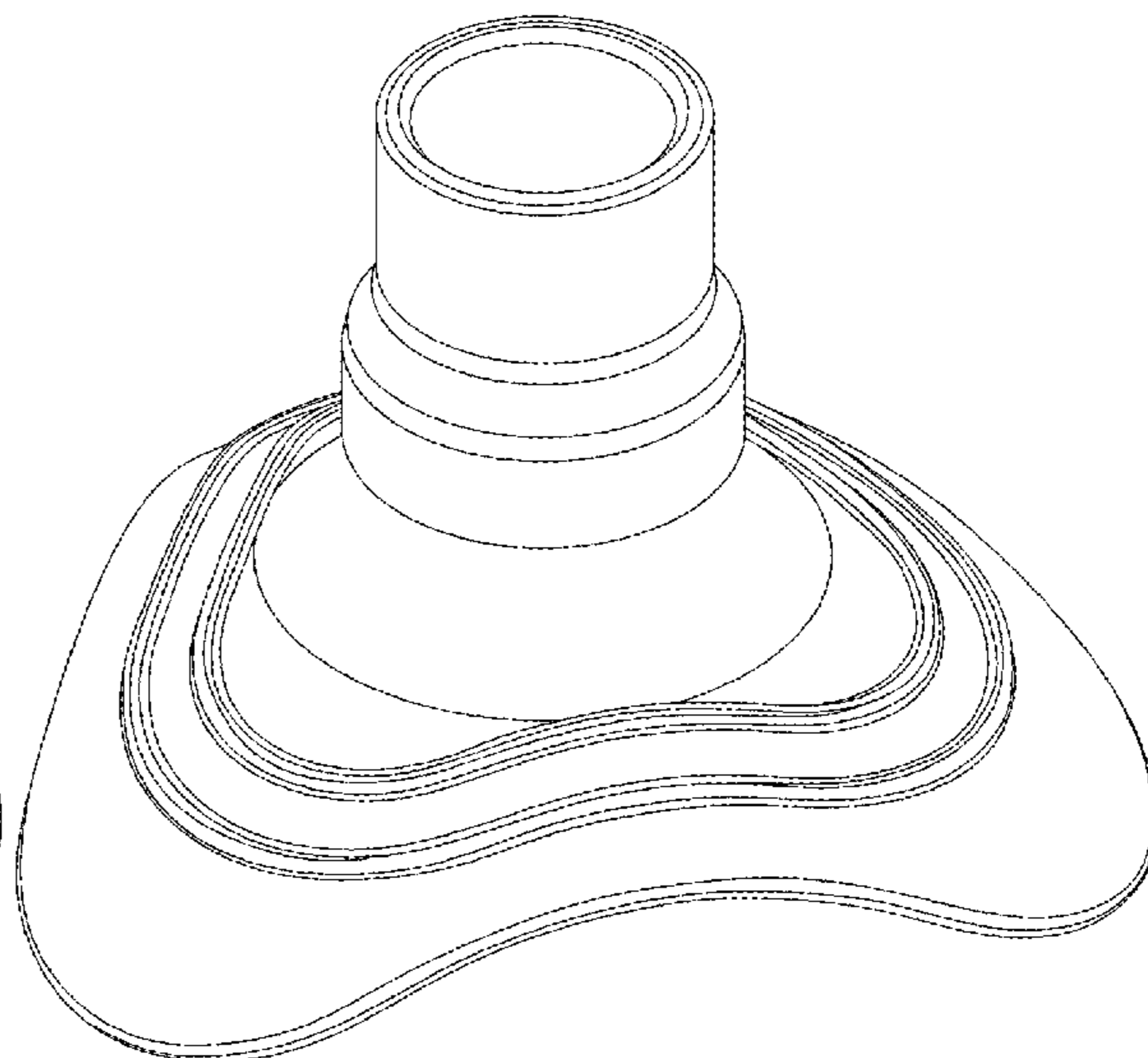
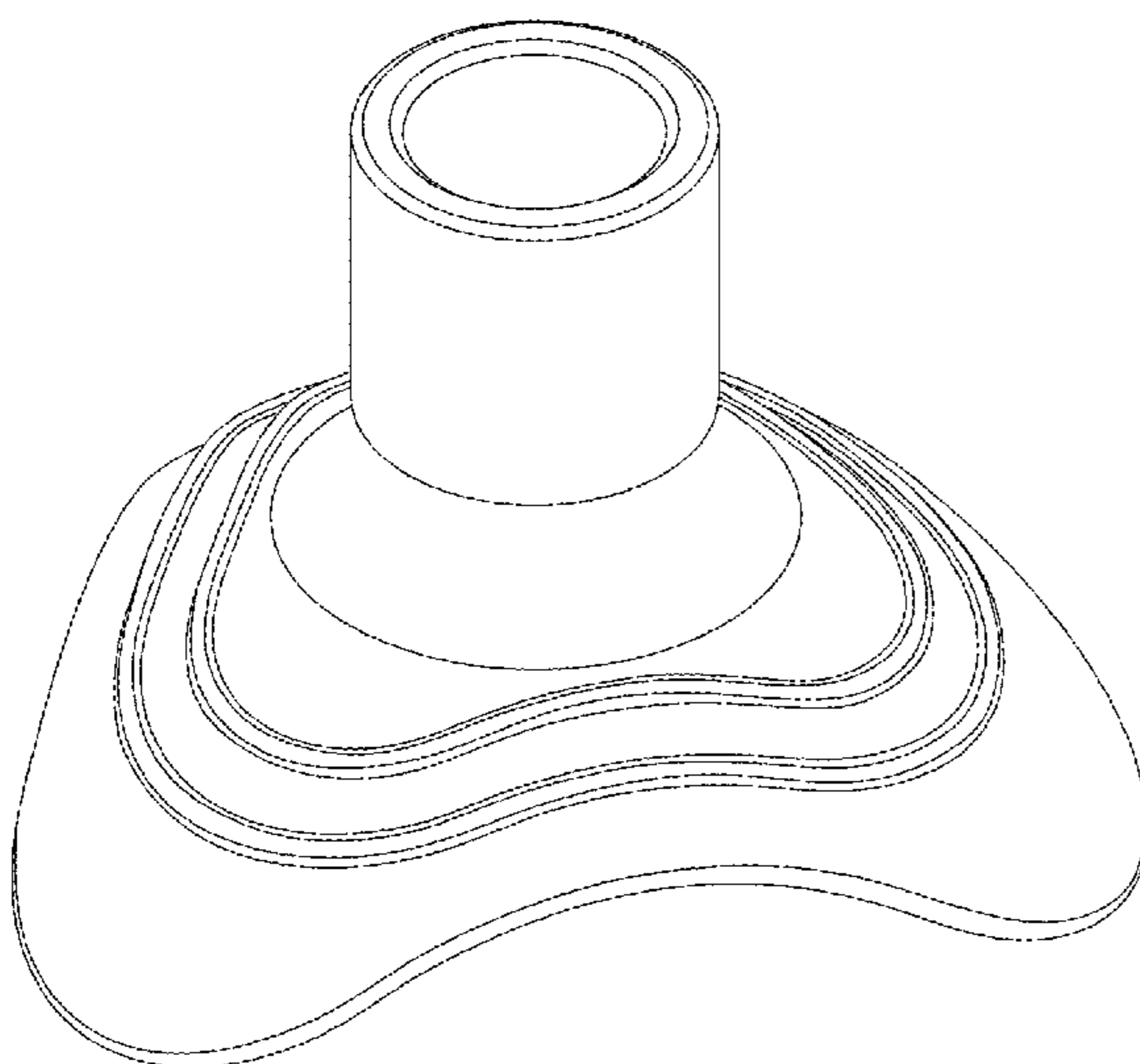
(57) **CLAIM**

The ornamental design for a breast shield, as shown and described.

**DESCRIPTION**

FIG. 1 is a front elevational view of a first embodiment of a breast shield of the new design;  
FIG. 2 is a rear elevational view of the breast shield of FIG. 1;  
FIG. 3 is a top plan view of the breast shield of FIG. 1;  
FIG. 4 is a bottom plan view of the breast shield of FIG. 1;  
FIG. 5 is a left side elevational view of the breast shield of FIG. 1;  
FIG. 6 is a right side elevational view of the breast shield of FIG. 1;  
FIG. 7 is a top perspective view of the breast shield of FIG. 1;  
FIG. 8 is a bottom perspective view of the breast shield of FIG. 1;  
FIG. 9 is a front elevational view of a second embodiment of a breast shield of the new design;  
FIG. 10 is a rear elevational view of the breast shield of FIG. 9;  
FIG. 11 is a top plan view of the breast shield of FIG. 9;  
FIG. 12 is a bottom plan view of the breast shield of FIG. 9;  
FIG. 13 is a left side elevational view of the breast shield of FIG. 9;  
FIG. 14 is a right side elevational view of the breast shield of FIG. 9;  
FIG. 15 is a top perspective view of the breast shield of FIG. 9; and,  
FIG. 16 is a bottom perspective view of the breast shield of FIG. 9.

**1 Claim, 8 Drawing Sheets**



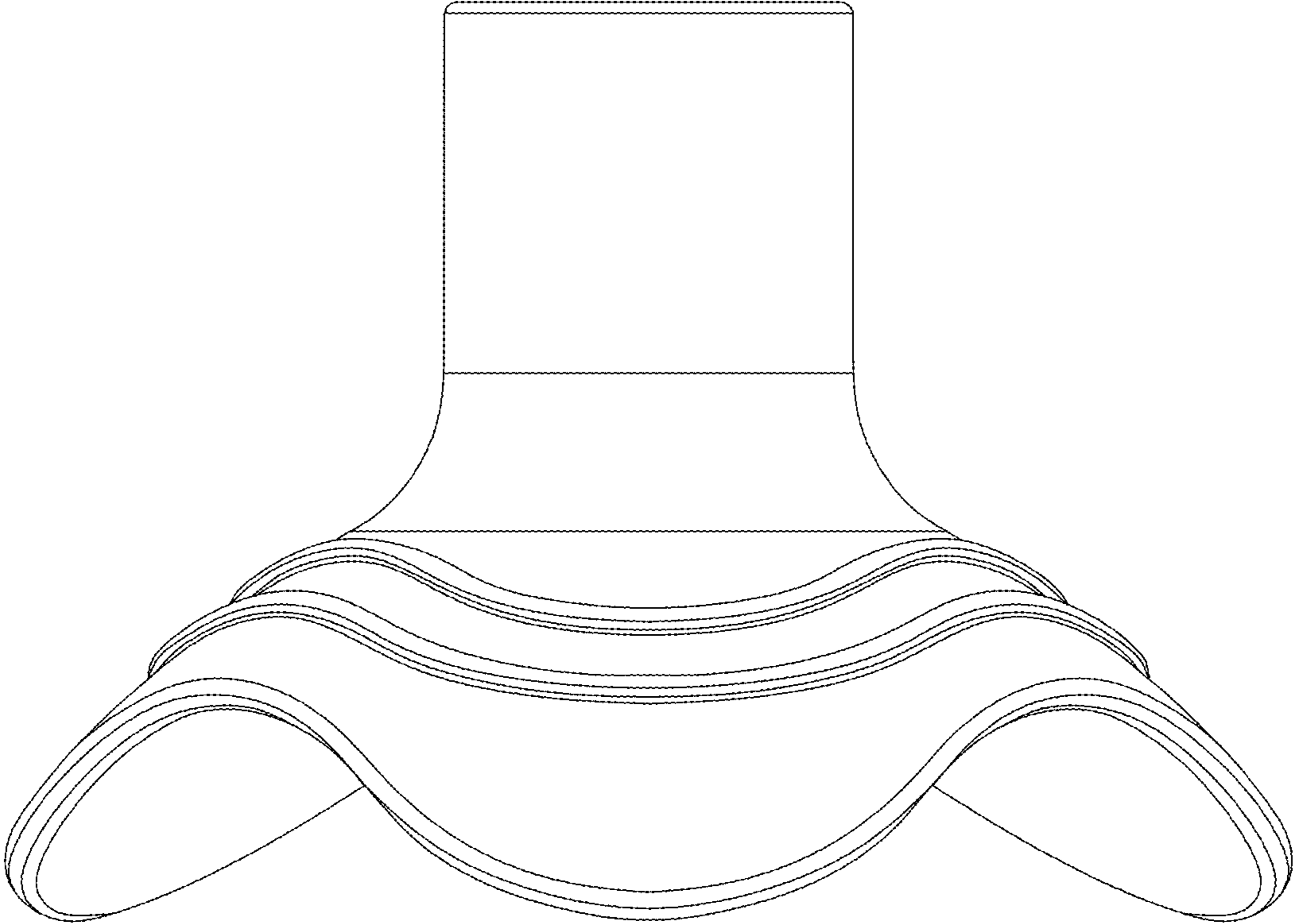
(56)

**References Cited**

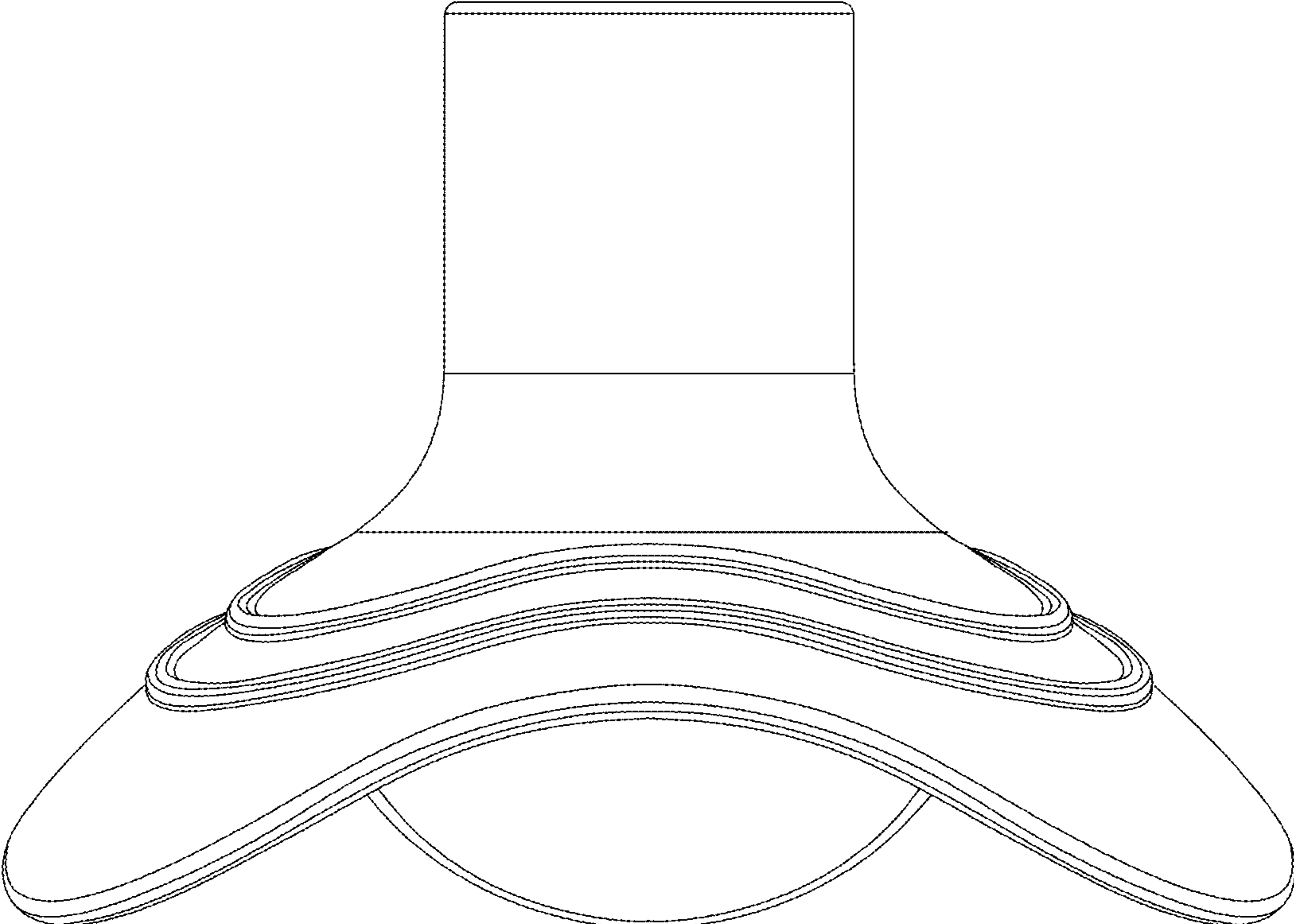
U.S. PATENT DOCUMENTS

D815,272 S \* 4/2018 Emmenegger ..... D24/109  
10,434,230 B2 \* 10/2019 Rigert ..... A61M 1/0049  
2018/0021492 A1 \* 1/2018 Furrer ..... A61M 1/064  
604/74  
2018/0028733 A1 \* 2/2018 Rigert ..... A61M 1/066  
2019/0365609 A1 \* 12/2019 Le ..... A61M 1/066

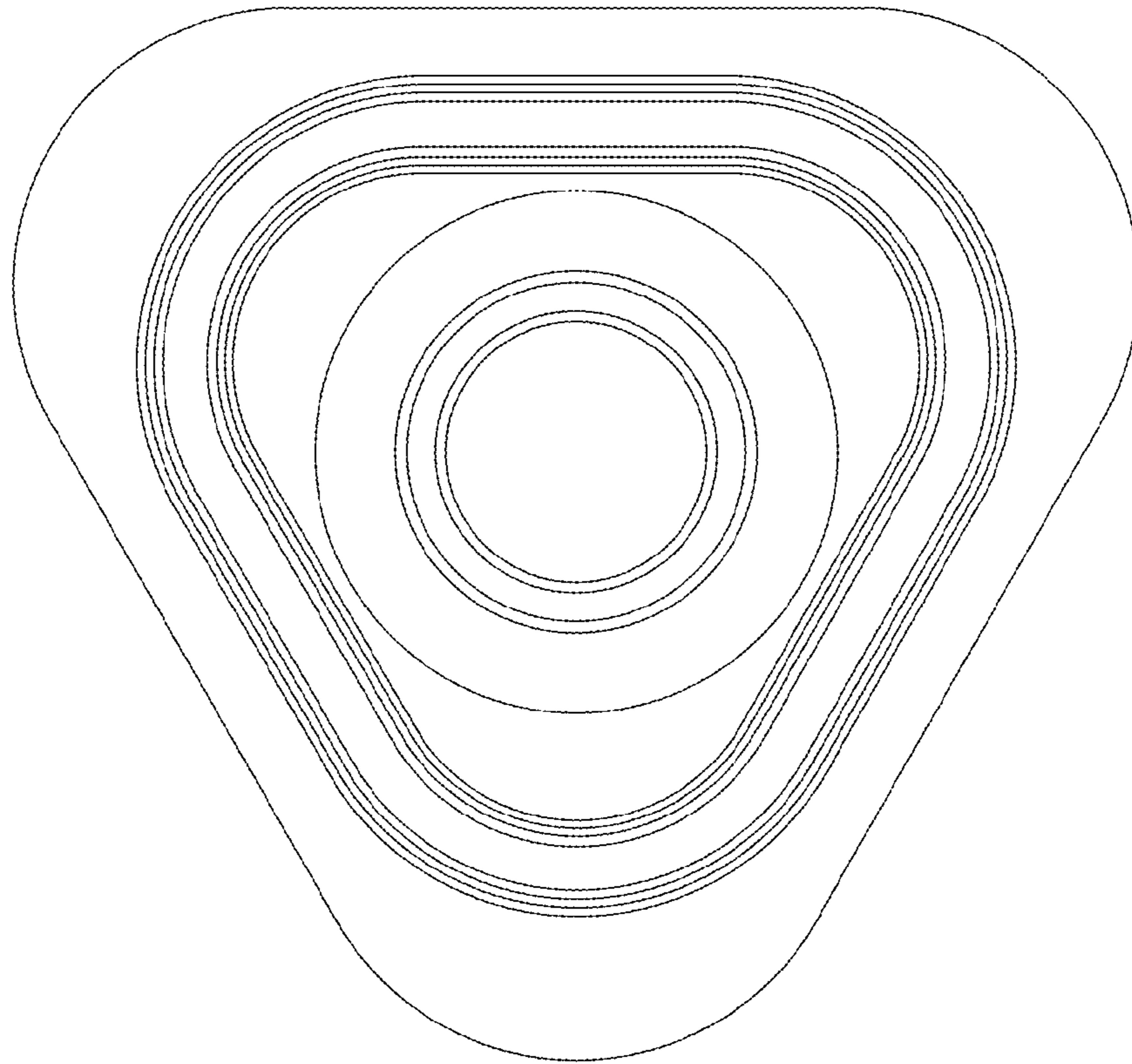
\* cited by examiner



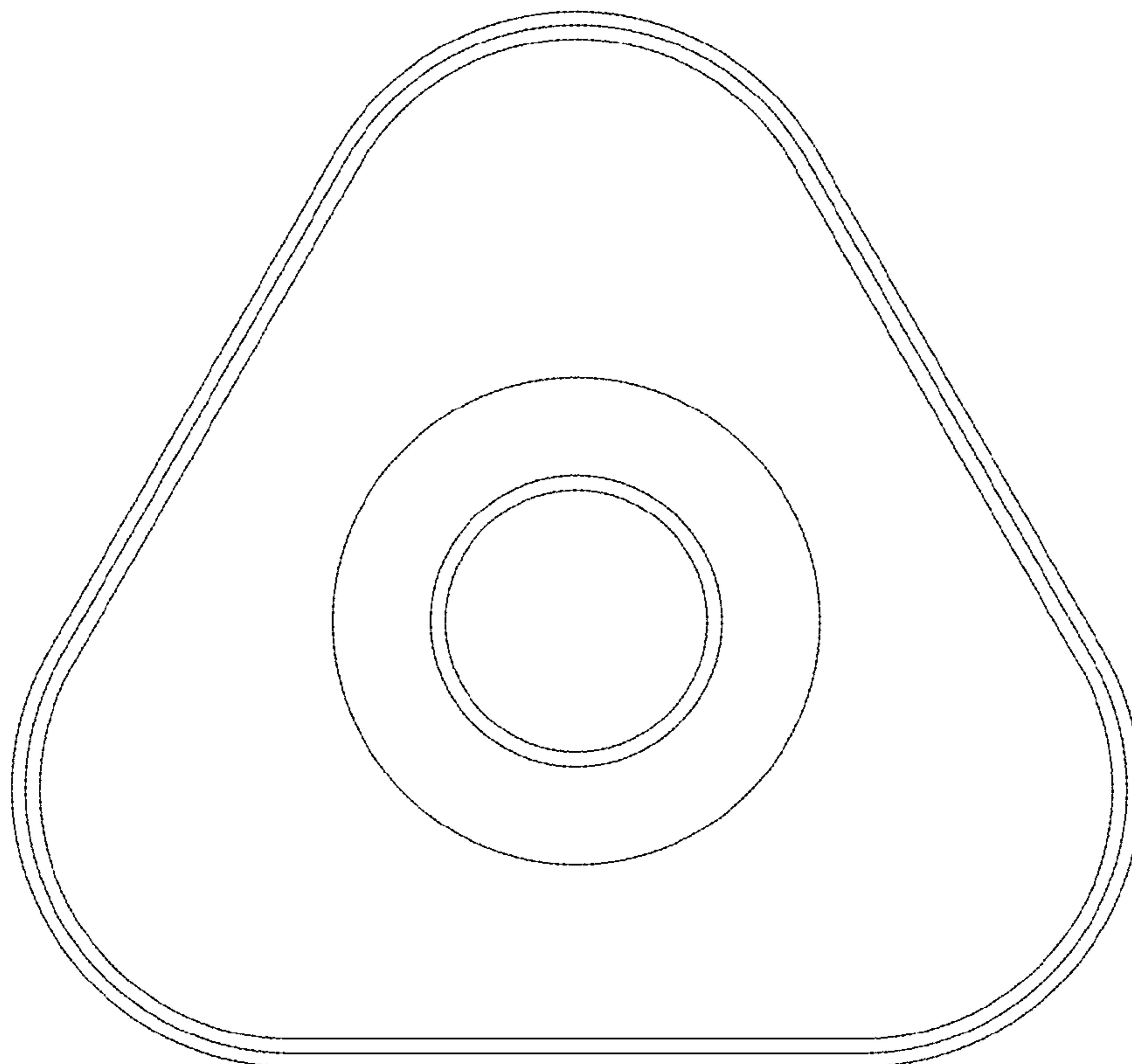
**FIG. 1**



**FIG. 2**

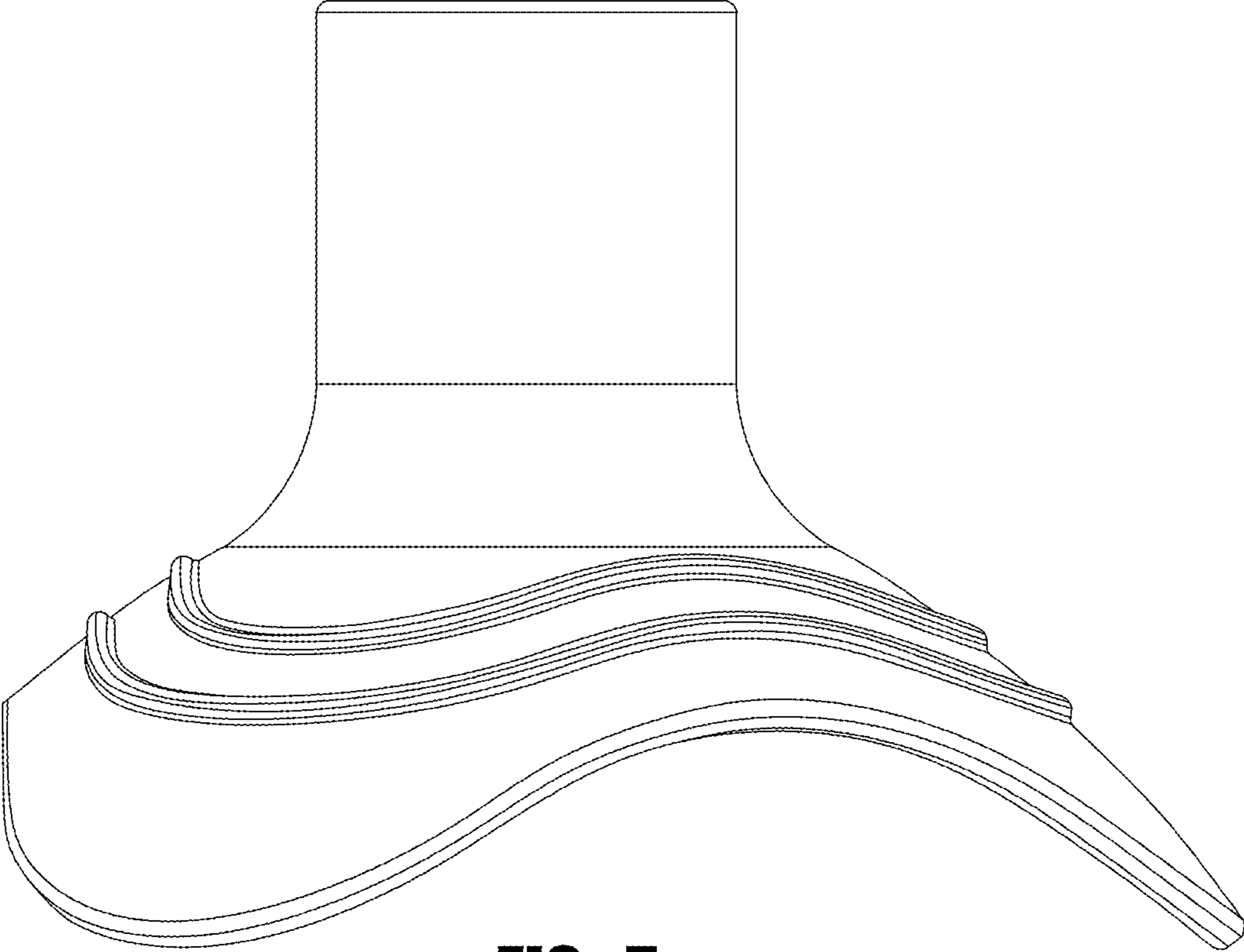


**FIG. 3**

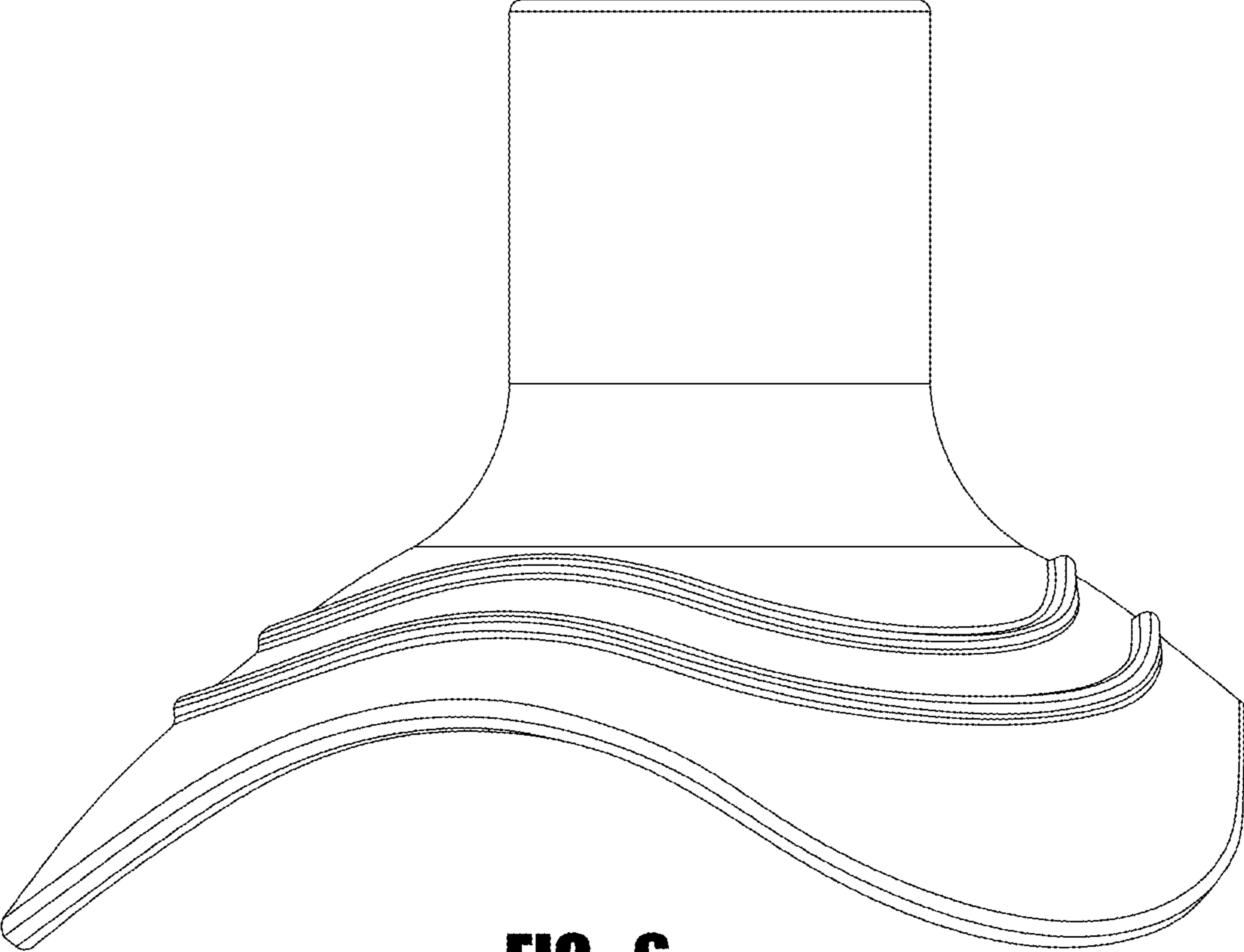


**FIG. 4**

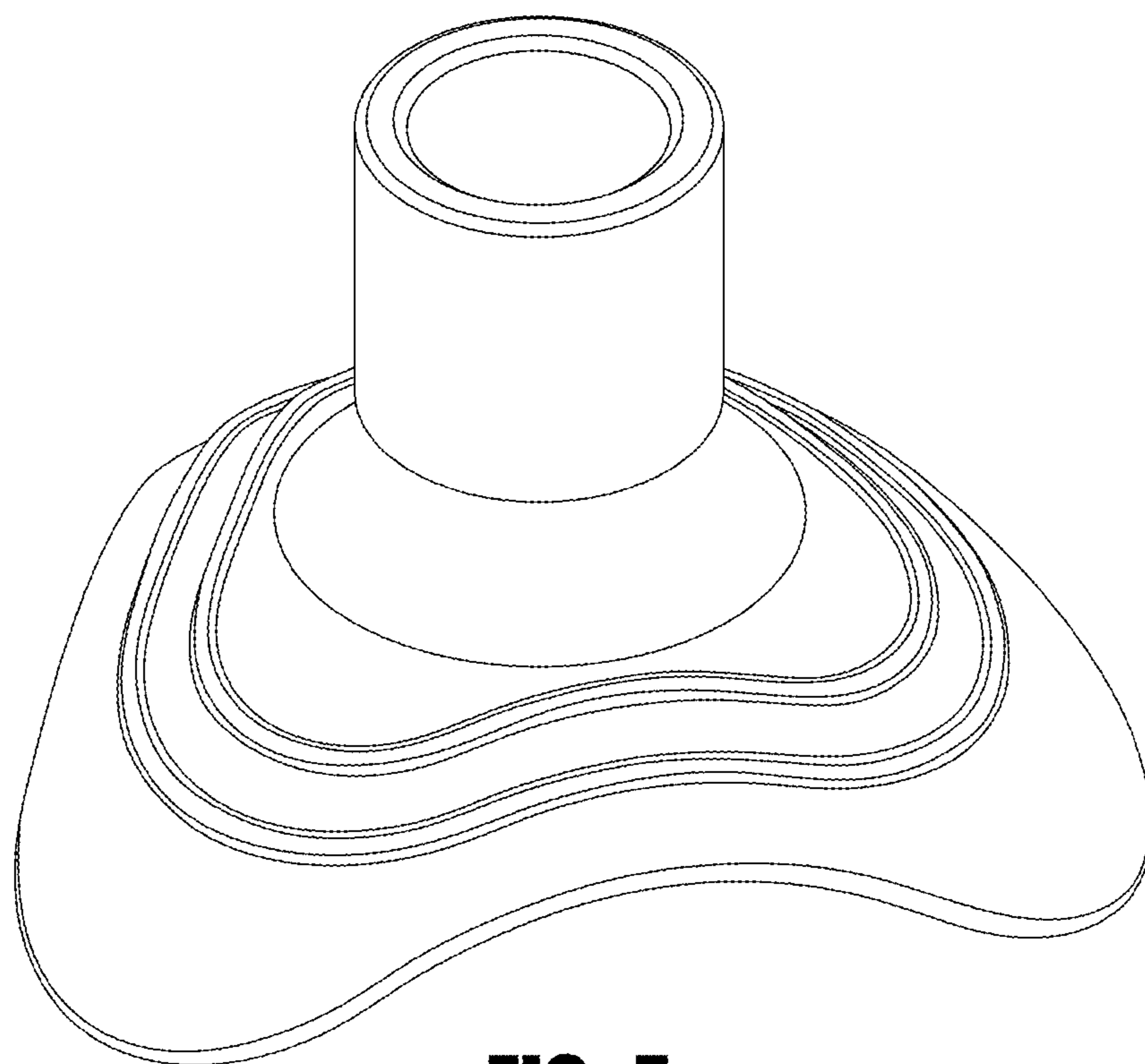




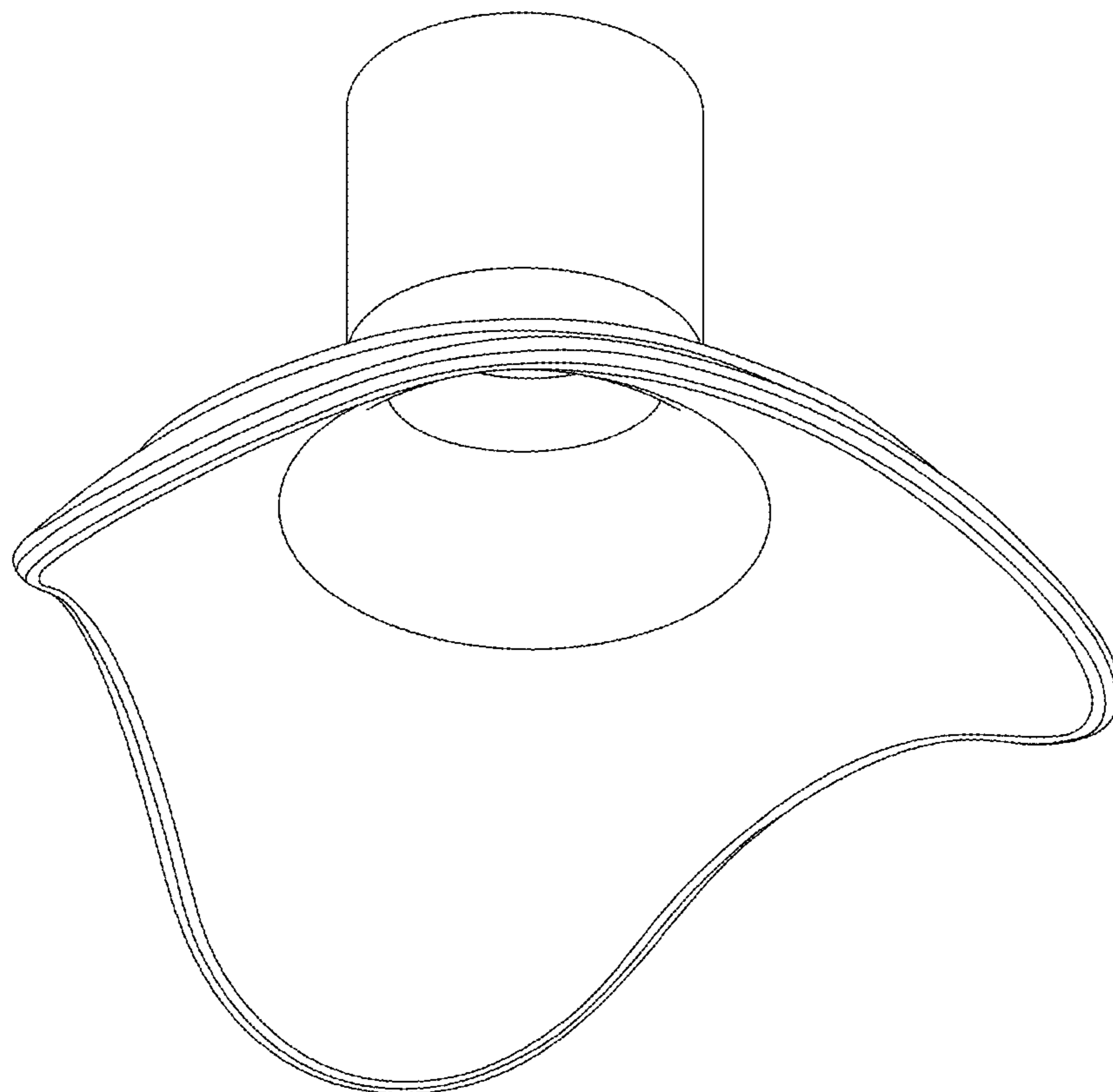
**FIG. 5**



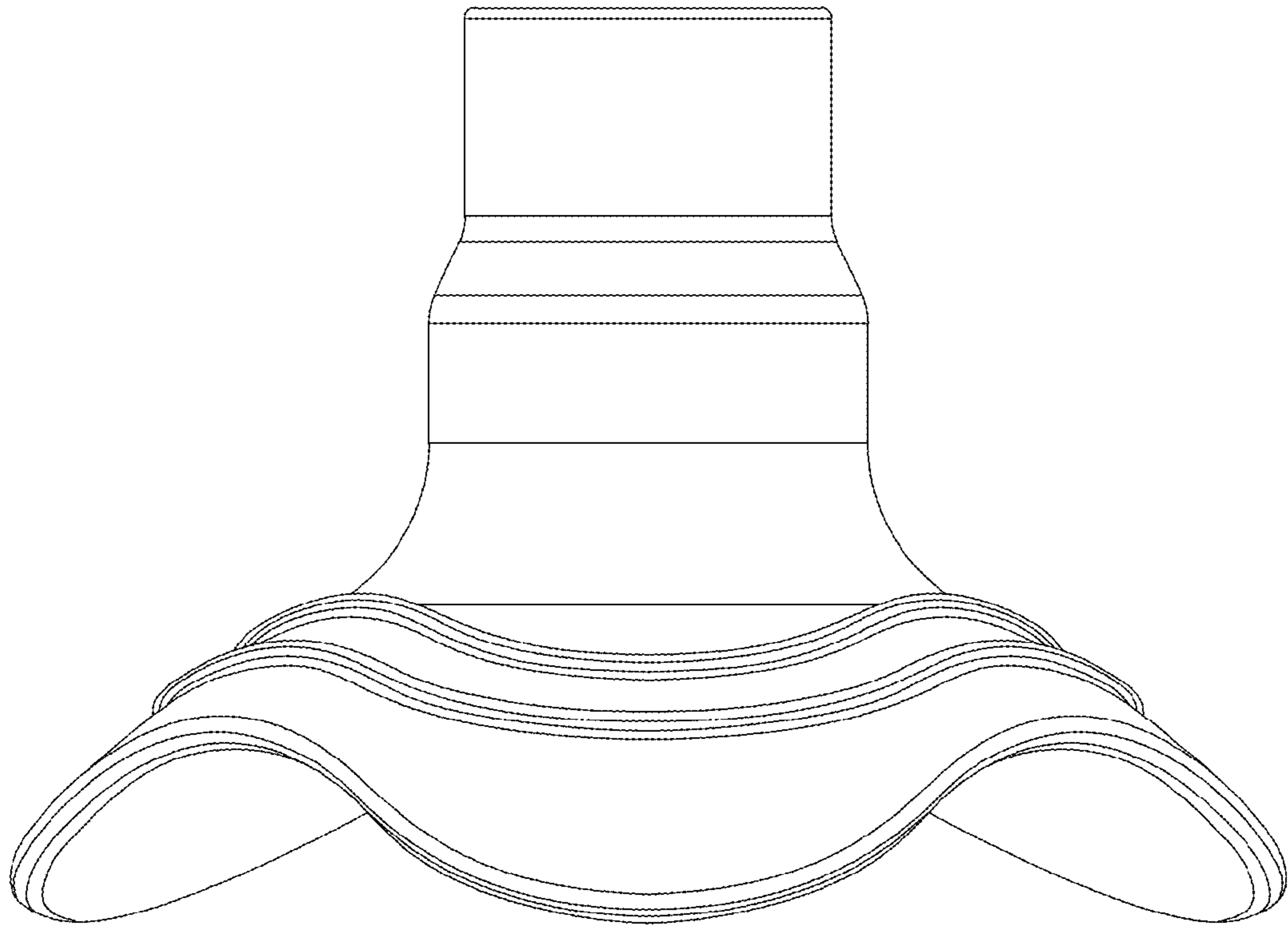
**FIG. 6**



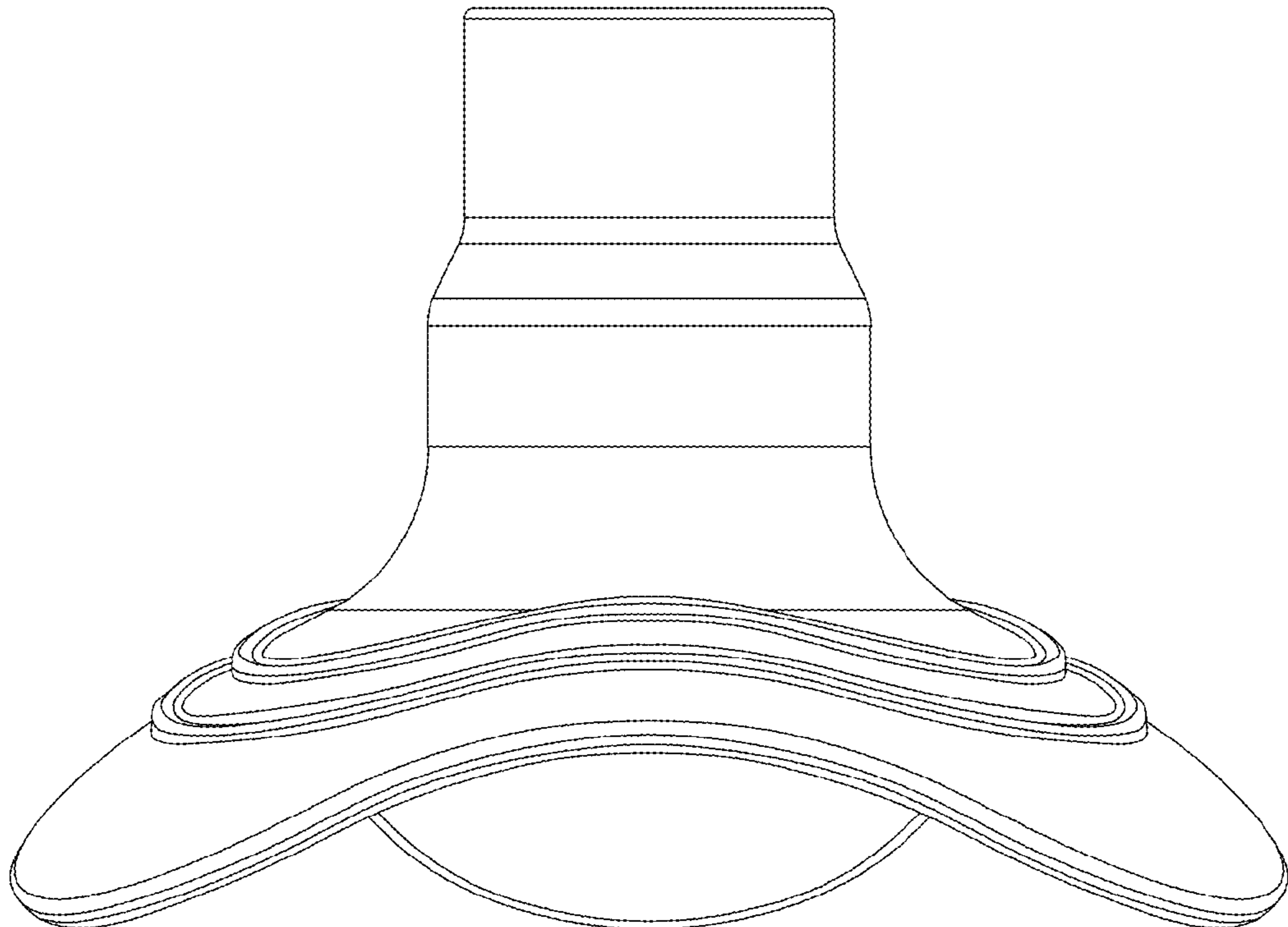
**FIG. 7**



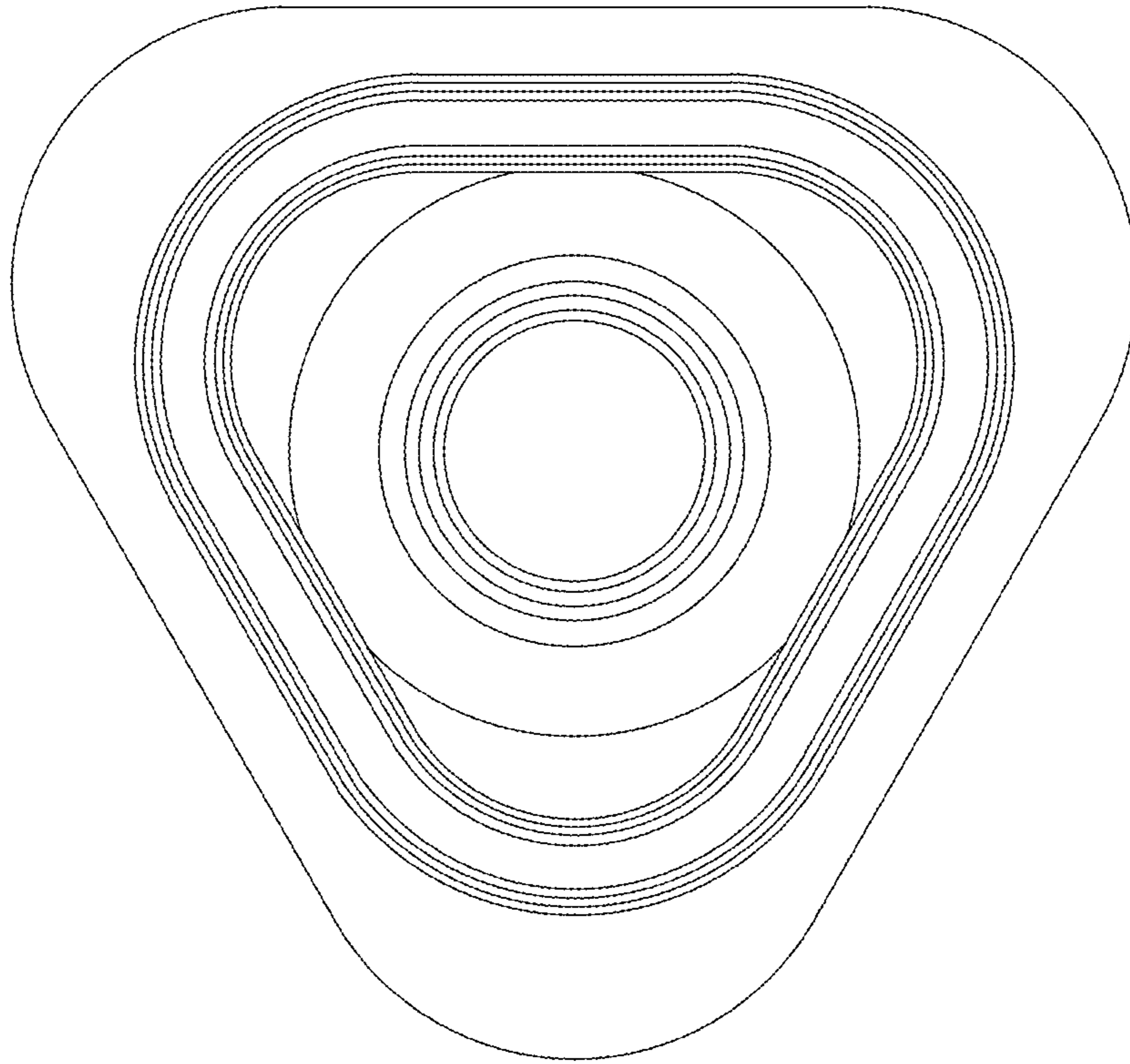
**FIG. 8**



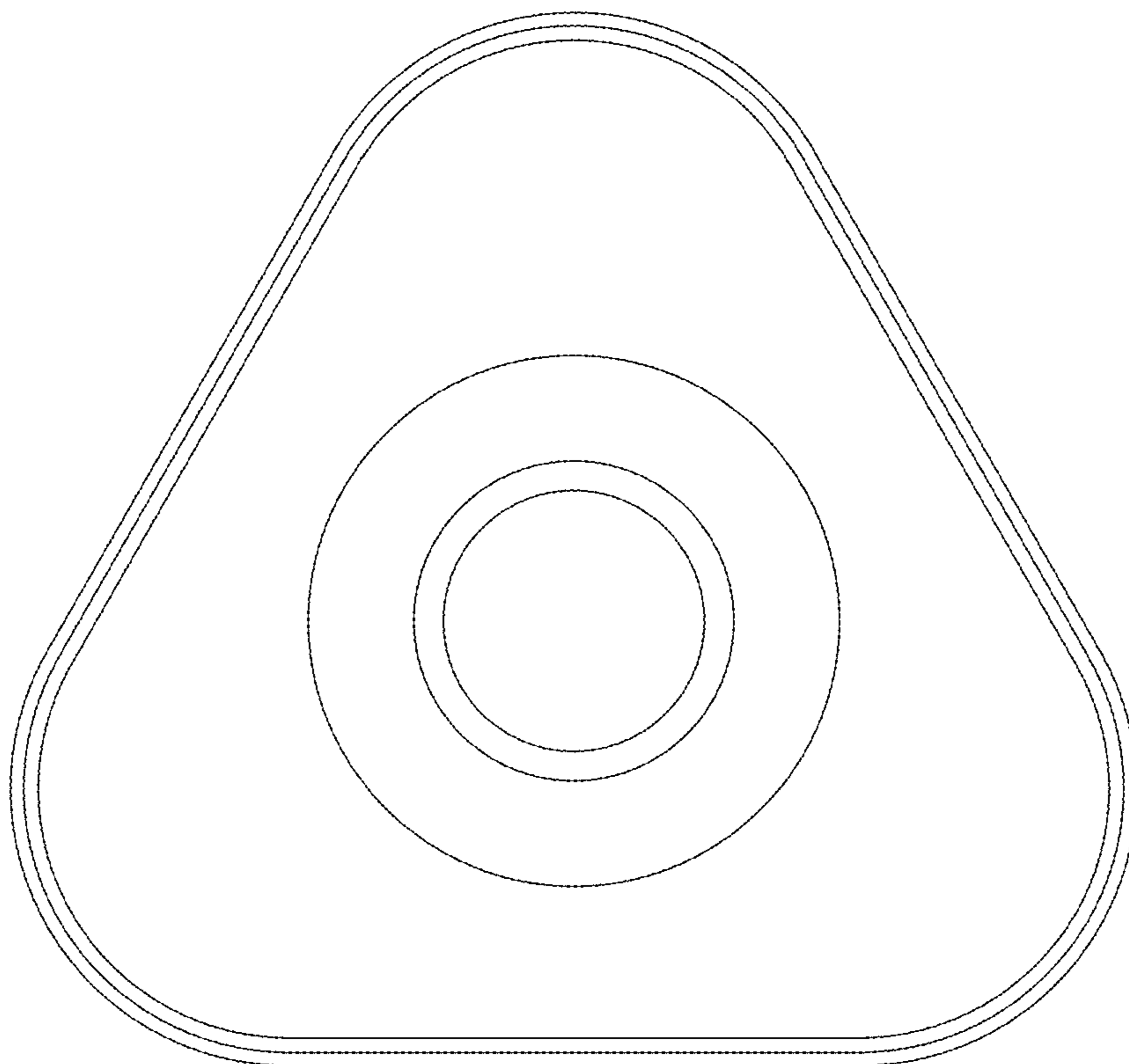
**FIG. 9**



**FIG. 10**

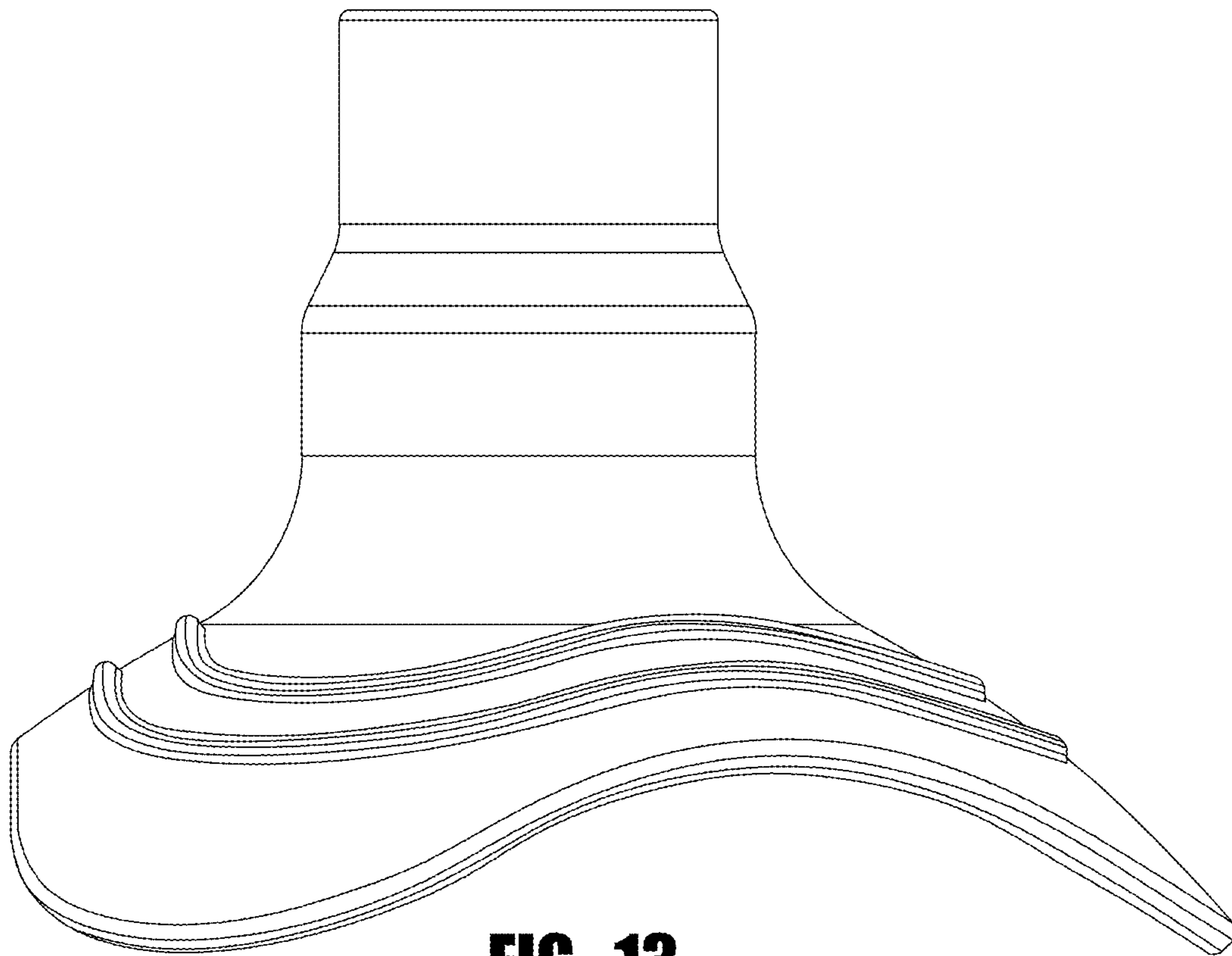


**FIG. 11**

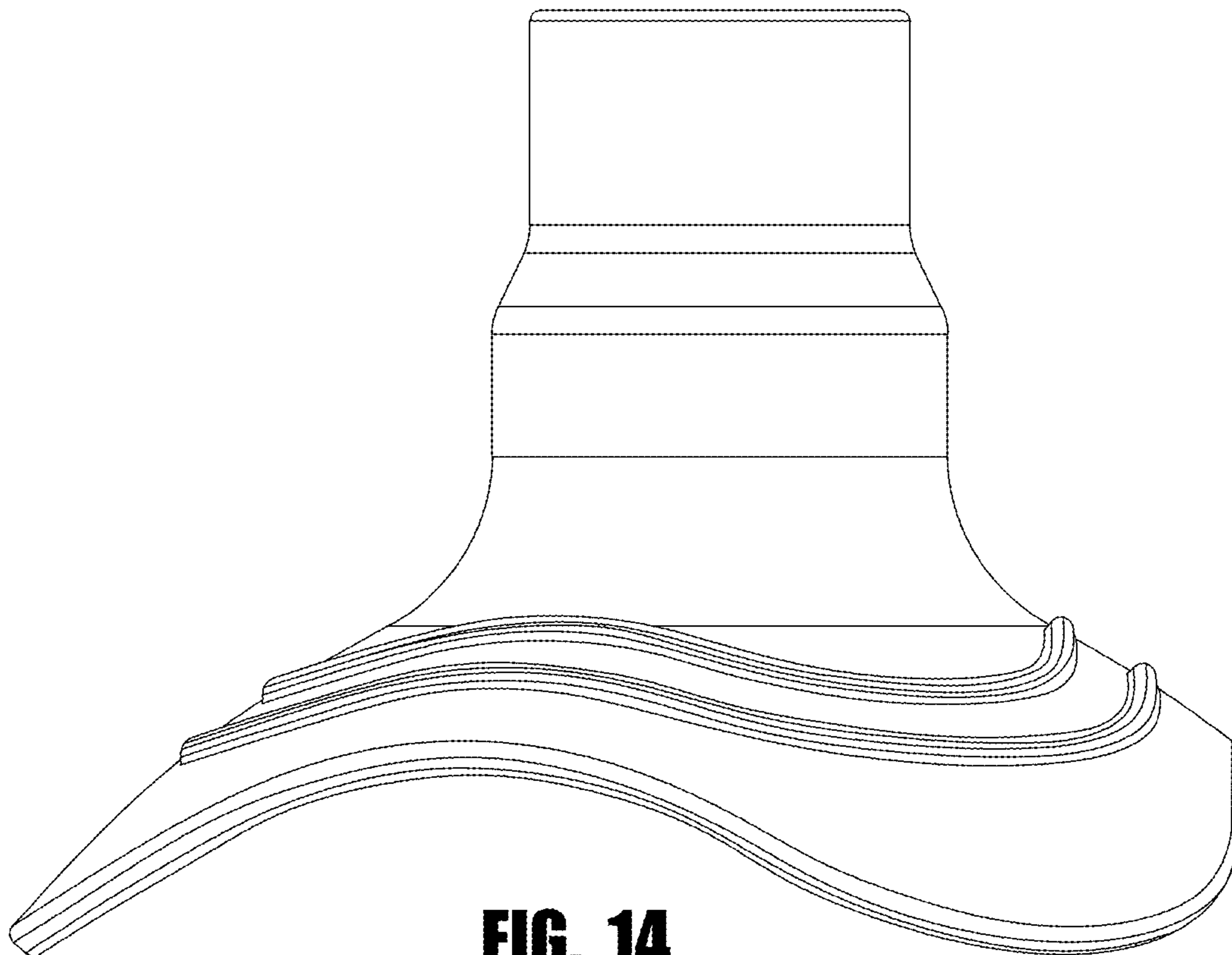


**FIG. 12**

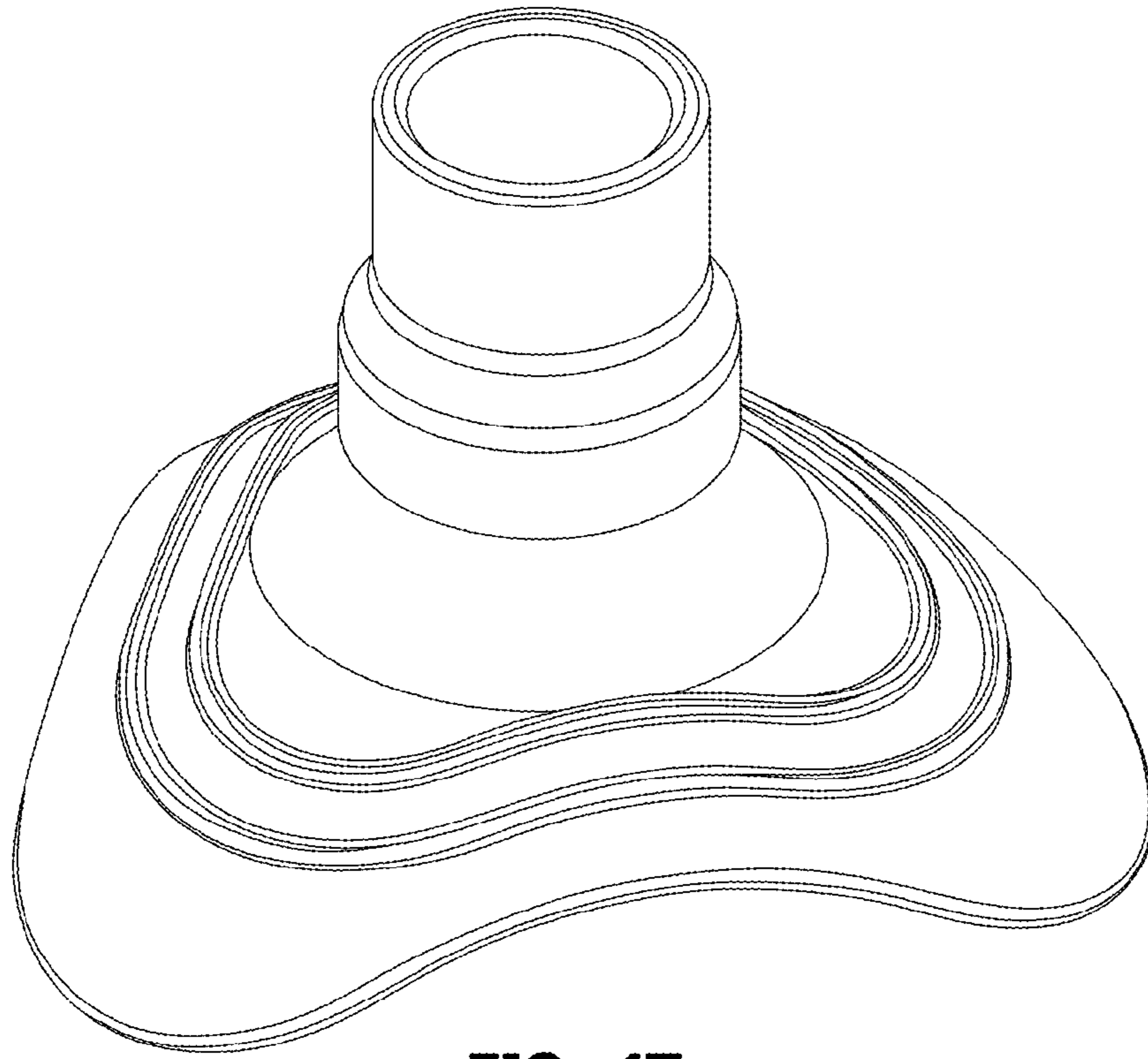




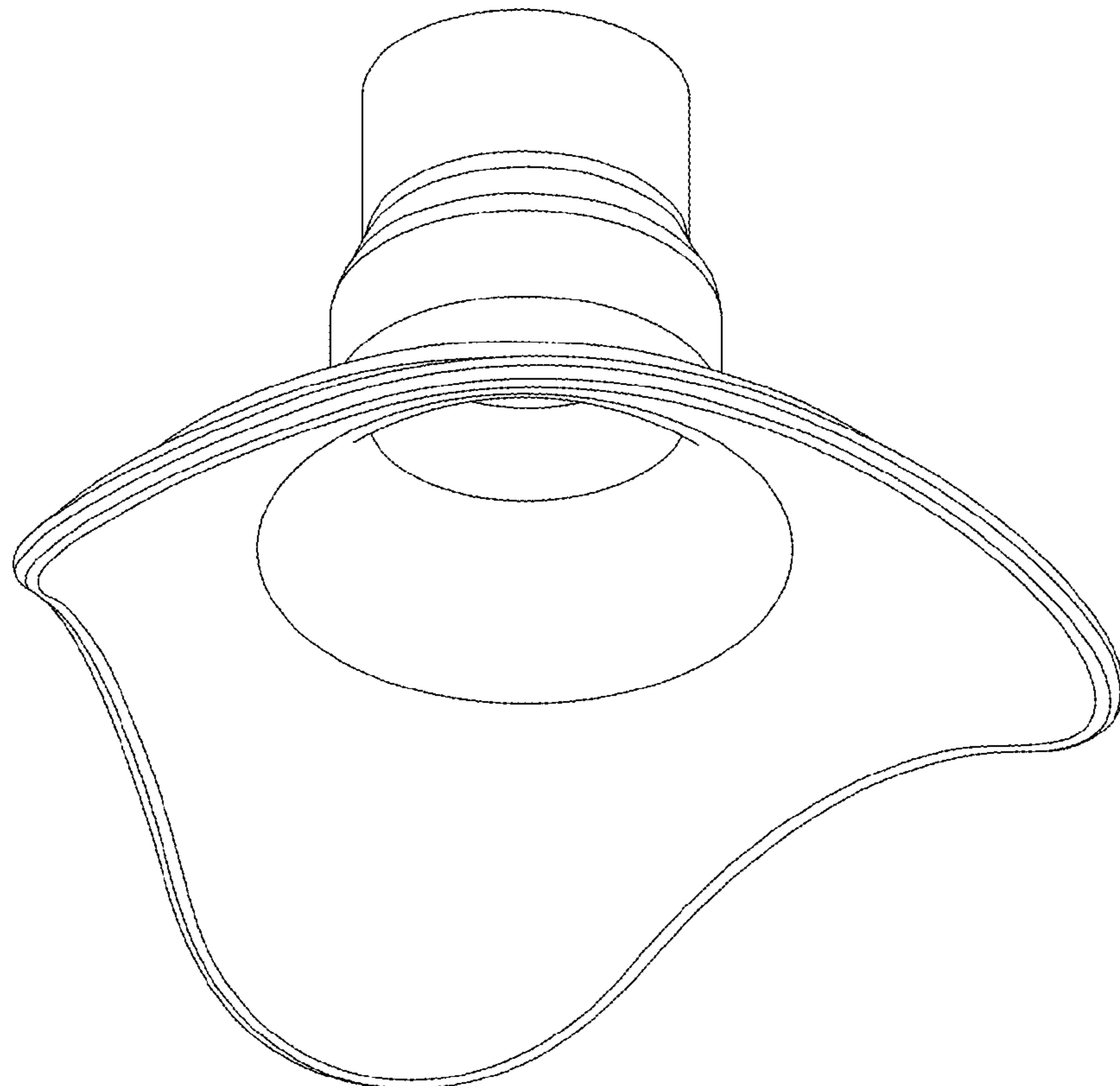
**FIG. 13**



**FIG. 14**



**FIG. 15**



**FIG. 16**