



US00D886982S

(12) **United States Design Patent**
Li

(10) **Patent No.:** **US D886,982 S**
(45) **Date of Patent:** **** Jun. 9, 2020**

(54) **FOLDABLE FAN**

(71) Applicant: **Shenzhen Jisu Technology Co., LTD.,**
Shenzhen (CN)

(72) Inventor: **Xiangfu Li, Shenzhen (CN)**

(**) Term: **15 Years**

(21) Appl. No.: **29/688,706**

(22) Filed: **Apr. 24, 2019**

(30) **Foreign Application Priority Data**

Dec. 2, 2018 (CN) 2018 3 0691056

(51) **LOC (12) Cl.** **14-03**

(52) **U.S. Cl.**
USPC **D23/379**

(58) **Field of Classification Search**
USPC D23/332, 333, 335-337, 342, 351, 364,
D23/370, 377-379, 381-383, 411-414;
D26/59; D15/5; D32/15
CPC F04D 25/088; F04D 29/388; F04D 29/34;
F04D 25/08; F21V 33/0096
See application file for complete search history.

(56) **References Cited**

U.S. PATENT DOCUMENTS

6,109,874 A * 8/2000 Steiner F04D 25/084
416/229 R
6,155,782 A * 12/2000 Hsu F04D 25/084
415/126
D451,184 S * 11/2001 Yuen D23/377
D451,992 S * 12/2001 Yuen D23/377

(Continued)

Primary Examiner — Janice Hallmark

(74) *Attorney, Agent, or Firm* — ZANIP

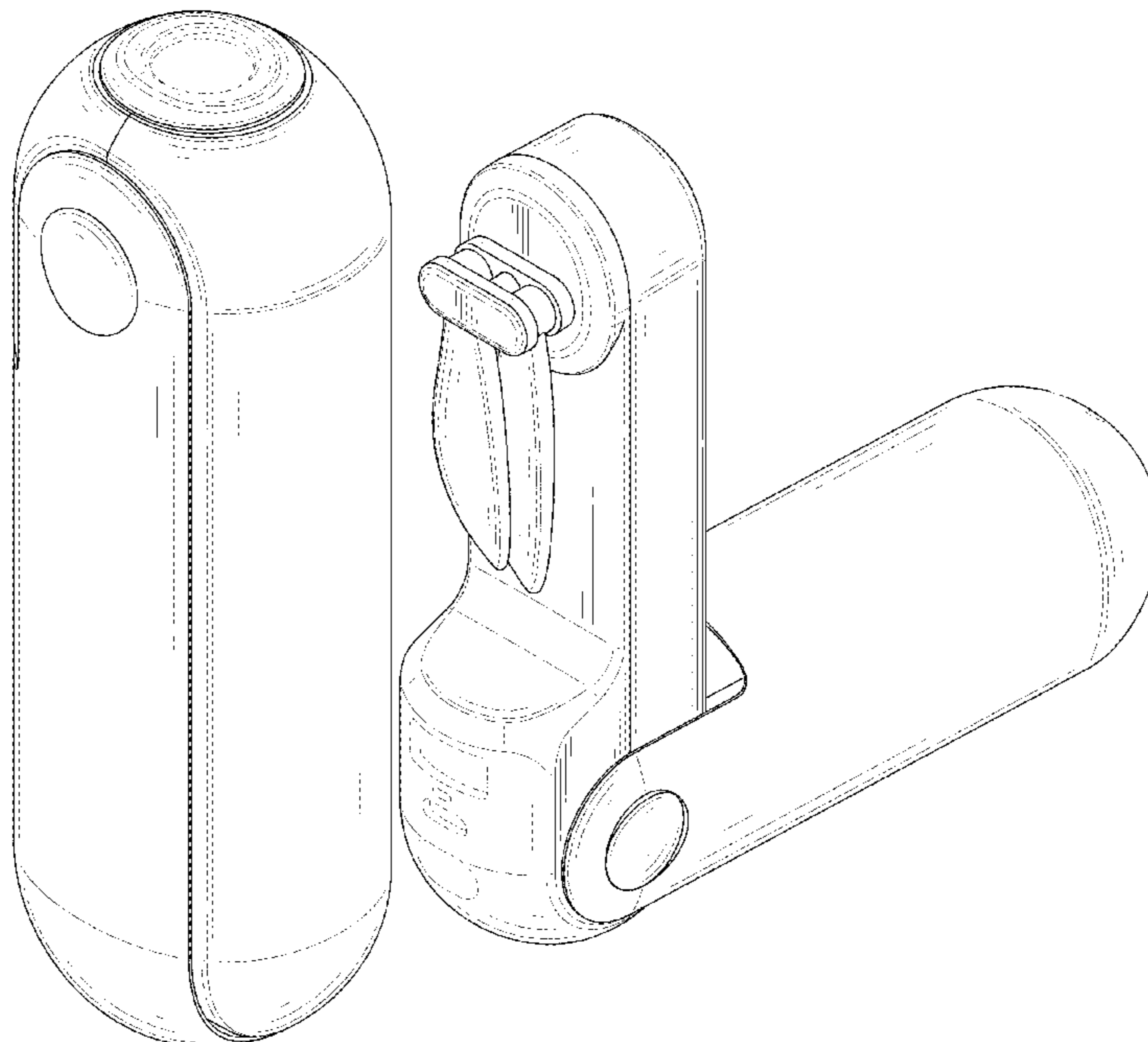
(57) **CLAIM**

The ornamental design for a foldable fan, as shown and described.

DESCRIPTION

FIG. 1 is a first perspective view of a first embodiment of a foldable fan showing my new design;
FIG. 2 is a second perspective view of the first embodiment thereof;
FIG. 3 is a front view of the first embodiment thereof;
FIG. 4 is a back view of the first embodiment thereof;
FIG. 5 is a left side view of the first embodiment thereof;
FIG. 6 is a right side view of the first embodiment thereof;
FIG. 7 is a top view of the first embodiment thereof;
FIG. 8 is a bottom view of the first embodiment thereof;
FIG. 9 is a perspective view of another state of the first embodiment of the foldable fan thereof;
FIG. 10 is a perspective view of further another state of the first embodiment of the foldable fan thereof;
FIG. 11 is a first perspective view of a second embodiment of the foldable fan showing my new design;
FIG. 12 is a second perspective view of the second embodiment thereof;
FIG. 13 is a front view of the second embodiment thereof;
FIG. 14 is a back view of the second embodiment thereof;
FIG. 15 is a left side view of the second embodiment thereof;
FIG. 16 is a right side view of the second embodiment thereof;
FIG. 17 is a top view of the second embodiment thereof;
FIG. 18 is a bottom view of the second embodiment thereof;
FIG. 19 is a perspective view of another state of the second embodiment of the foldable fan thereof; and,
FIG. 20 is a perspective view of further another state of the second embodiment of the foldable fan thereof.
The broken lines shown in the drawings depict portions of the foldable fan in which the design is embodied that form no part of the claimed design.

1 Claim, 20 Drawing Sheets



(56)

References Cited

U.S. PATENT DOCUMENTS

D451,994 S *	12/2001	Yuen	D23/379
D529,597 S *	10/2006	Mombauer	D23/379
D548,454 S *	8/2007	Radtke	D23/379
D559,966 S *	1/2008	Kit	D23/379
D564,080 S	3/2008	Chen	
D565,720 S *	4/2008	Chen	D23/379
8,333,560 B1 *	12/2012	Ward	F04D 27/004 415/213.1
D683,440 S *	5/2013	Chen	D23/370
D733,281 S *	6/2015	Herbst	D23/328
D733,282 S *	6/2015	Peterson	D23/328
D767,747 S *	9/2016	Wang	D23/379
D799,021 S *	10/2017	Mueller	D23/379
D841,796 S *	2/2019	Freeland	D23/382
D843,557 S *	3/2019	Breit	D23/379
D845,464 S *	4/2019	Breit	D23/379

* cited by examiner

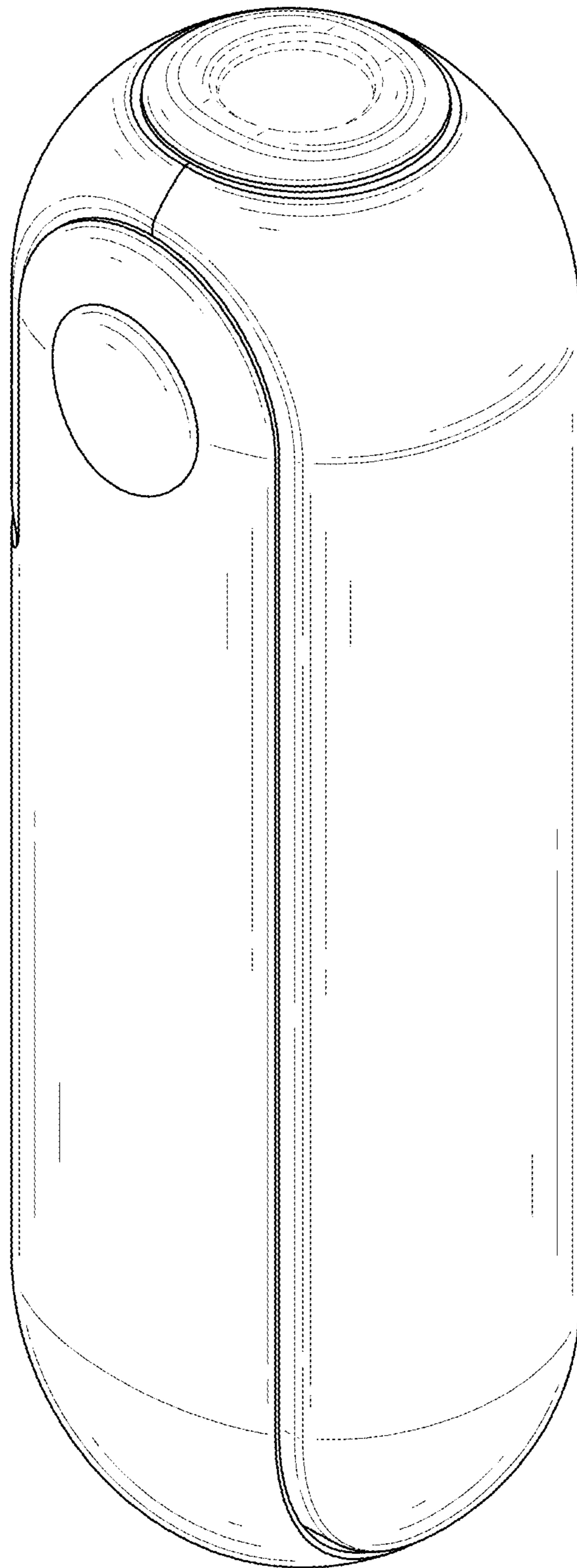


FIG. 1

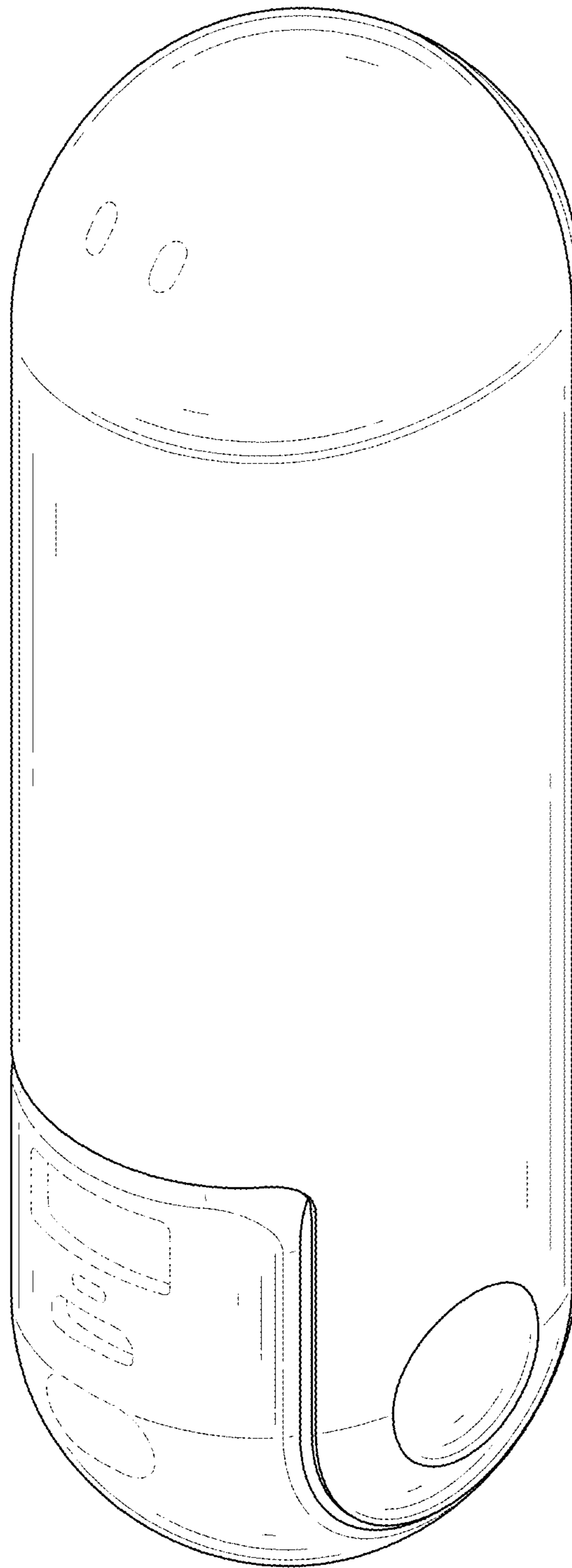


FIG. 2

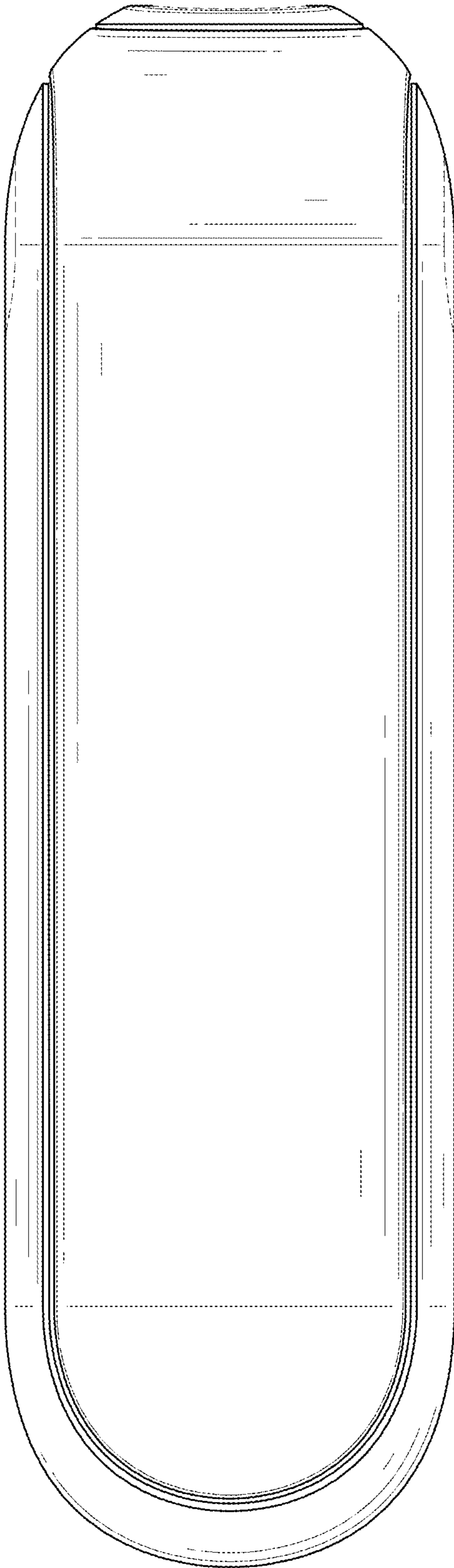


FIG. 3

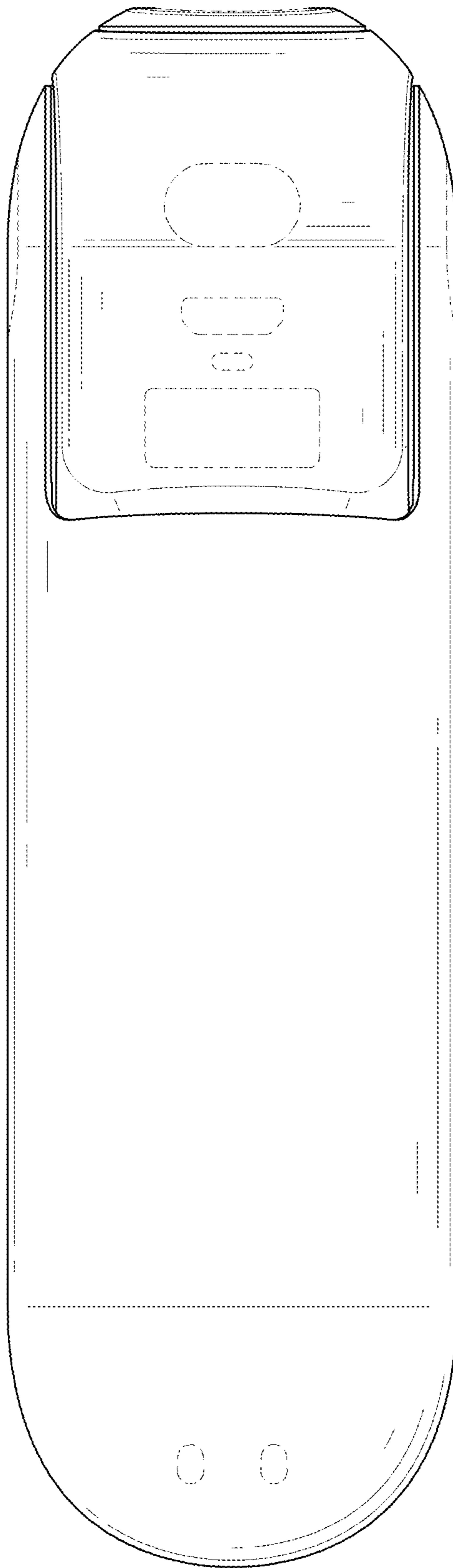


FIG. 4

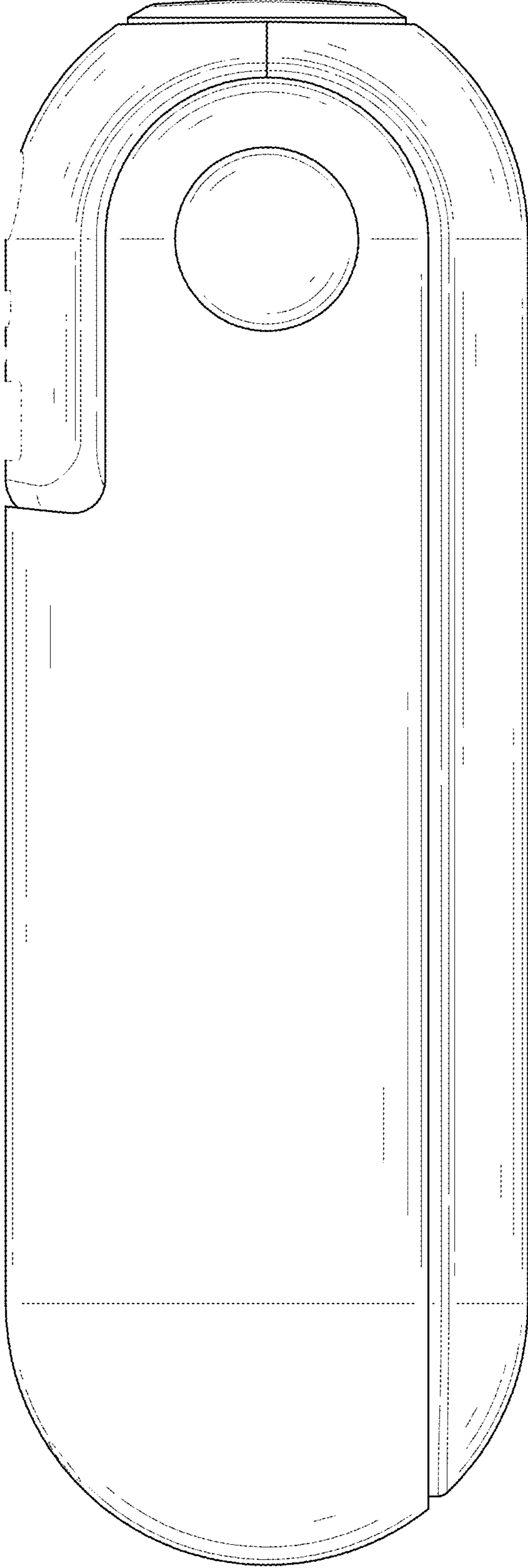


FIG. 5

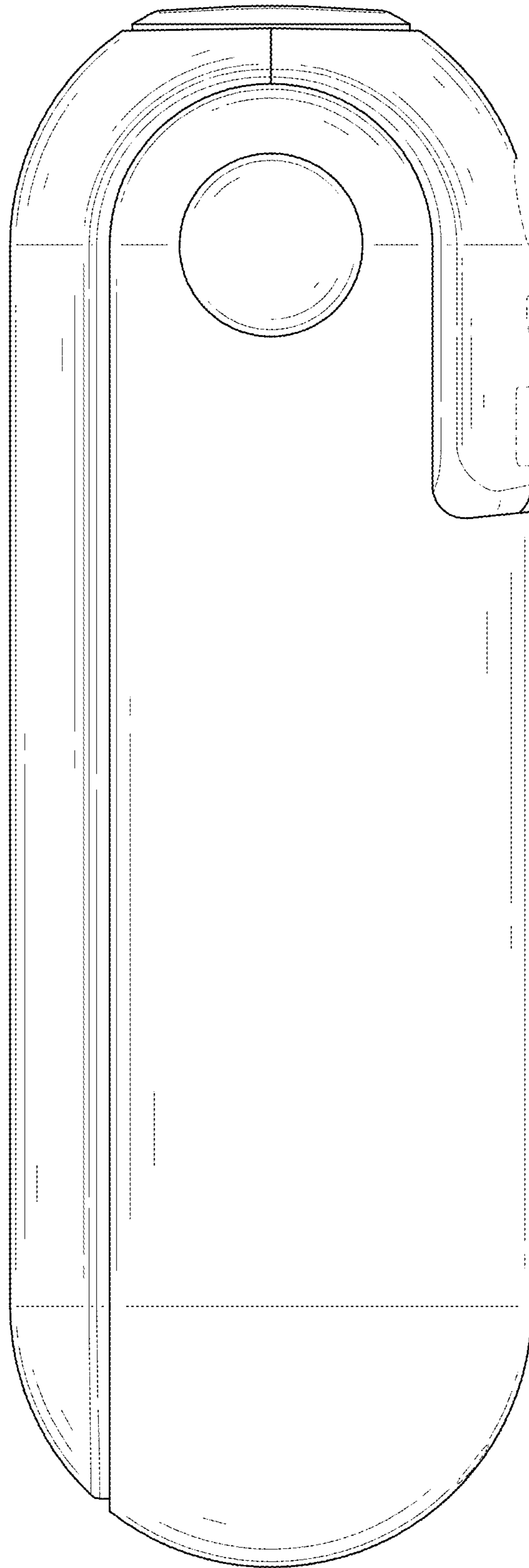


FIG. 6

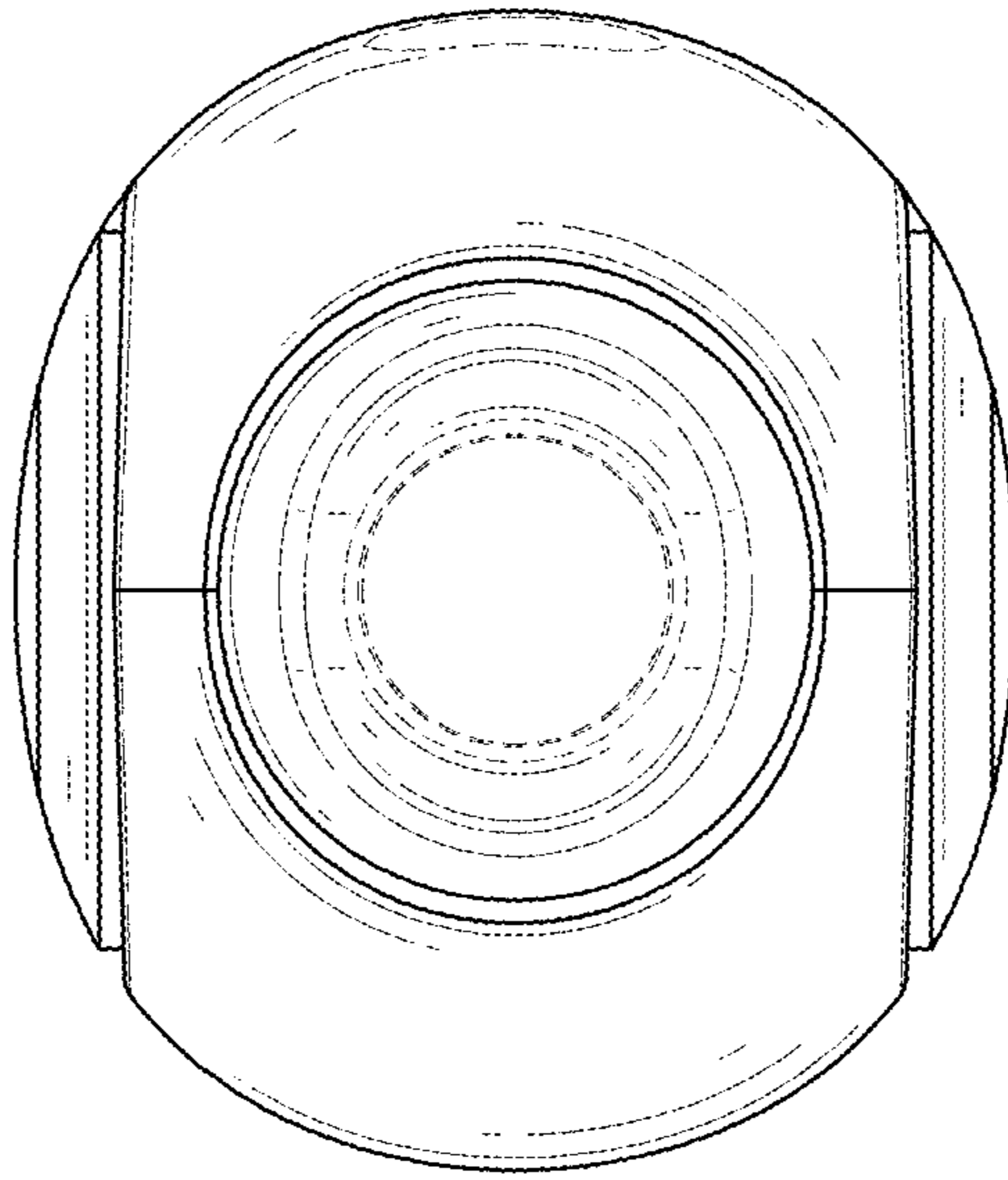


FIG. 7

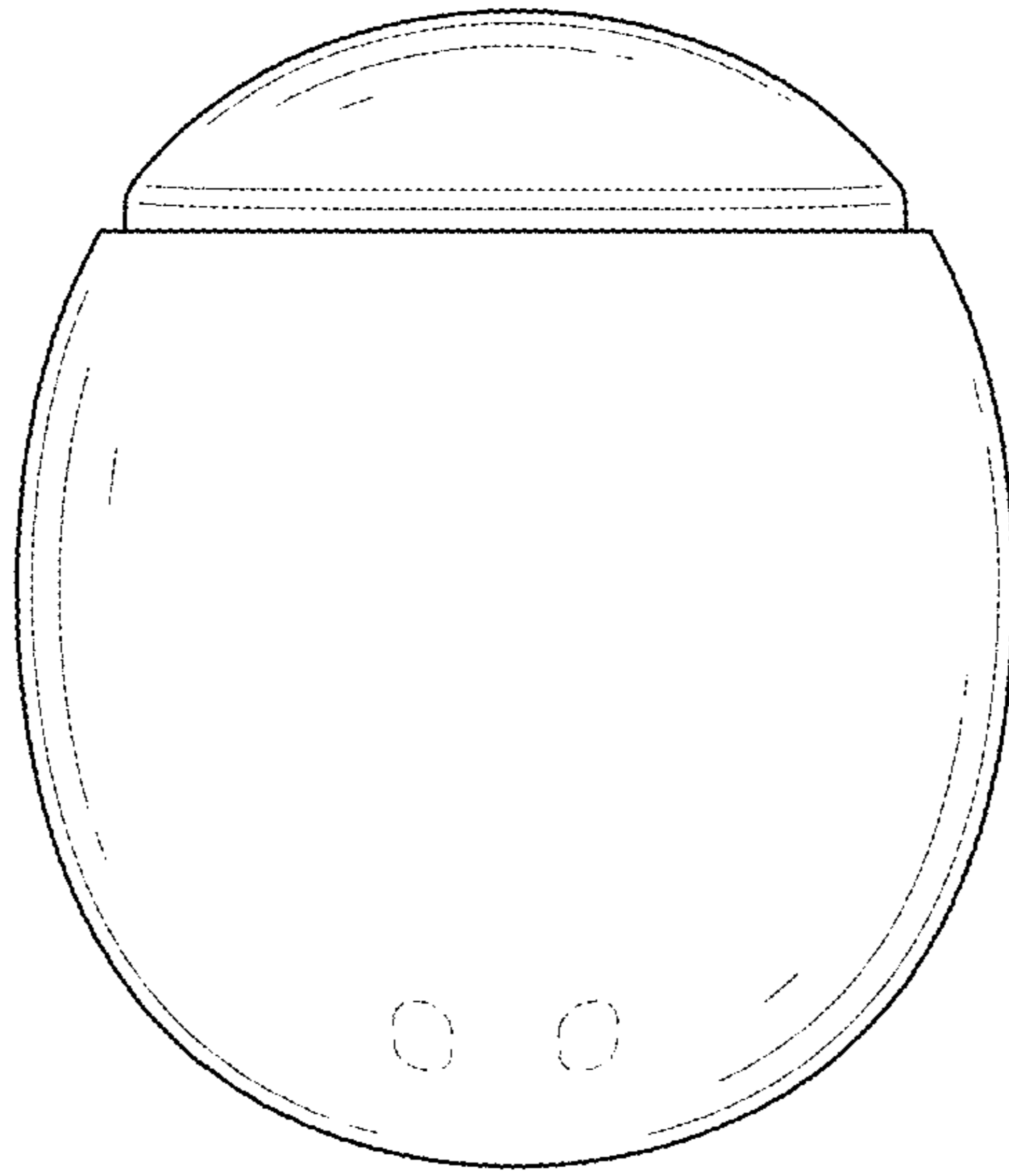


FIG. 8

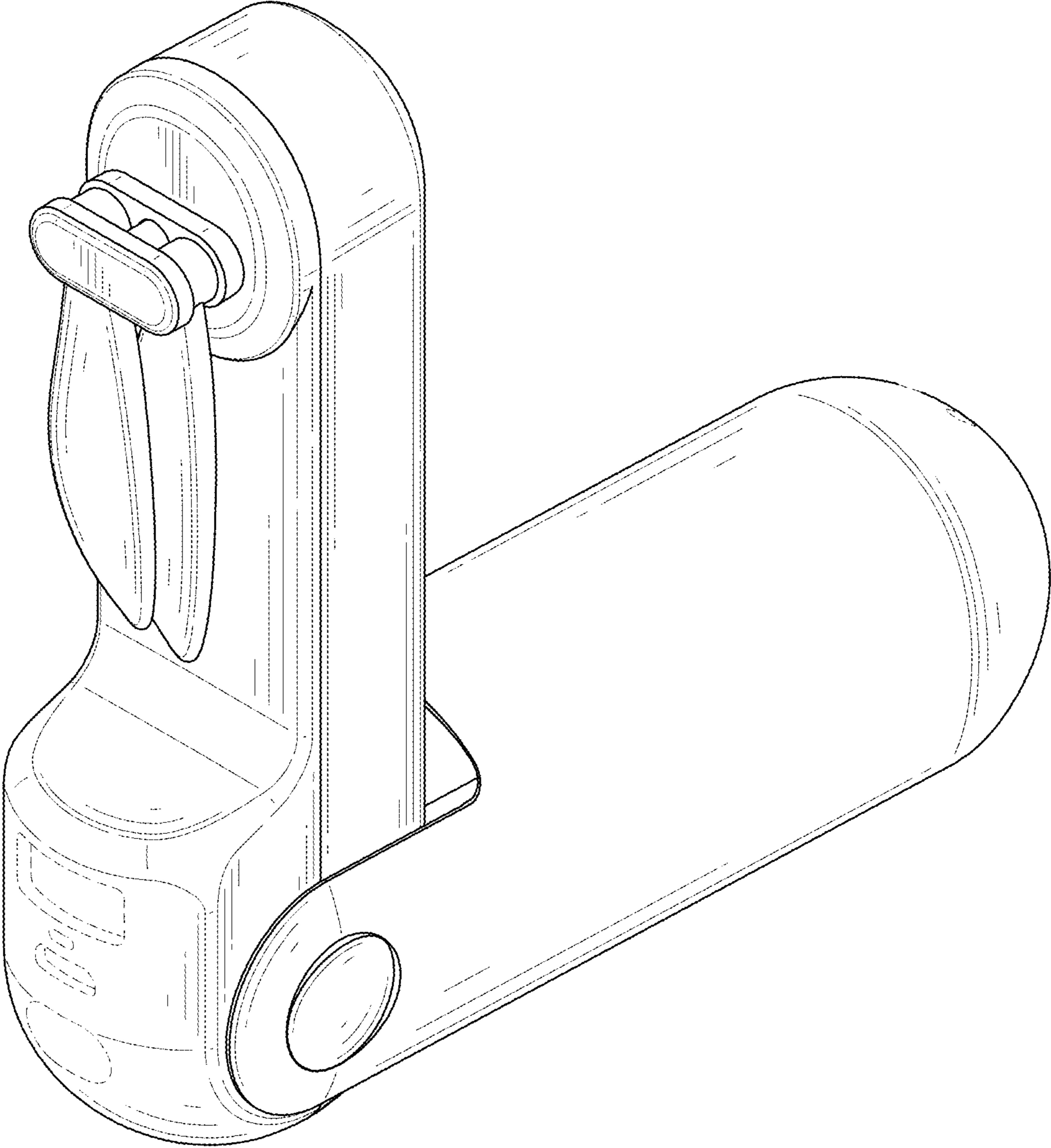


FIG. 9

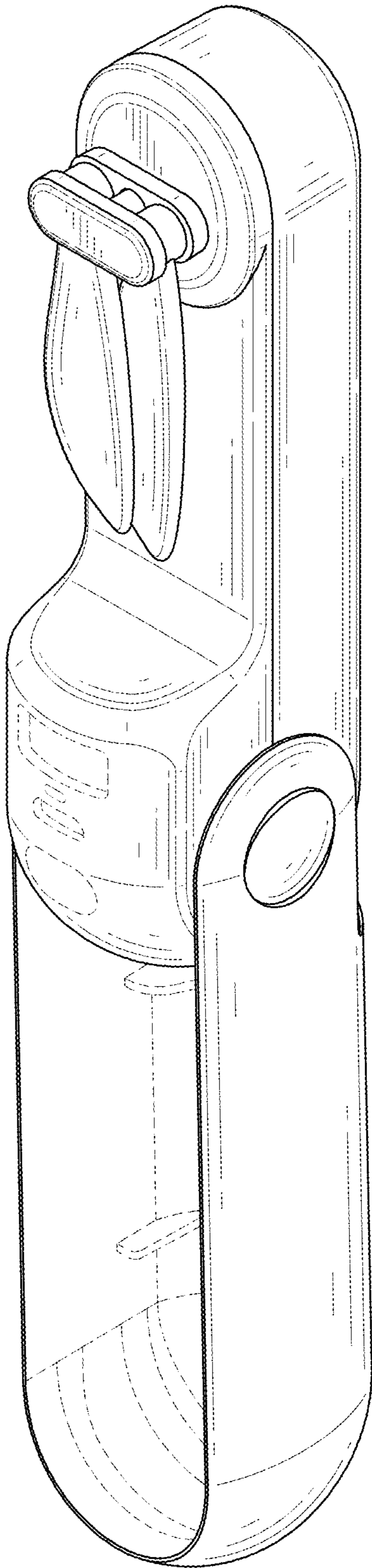


FIG. 10

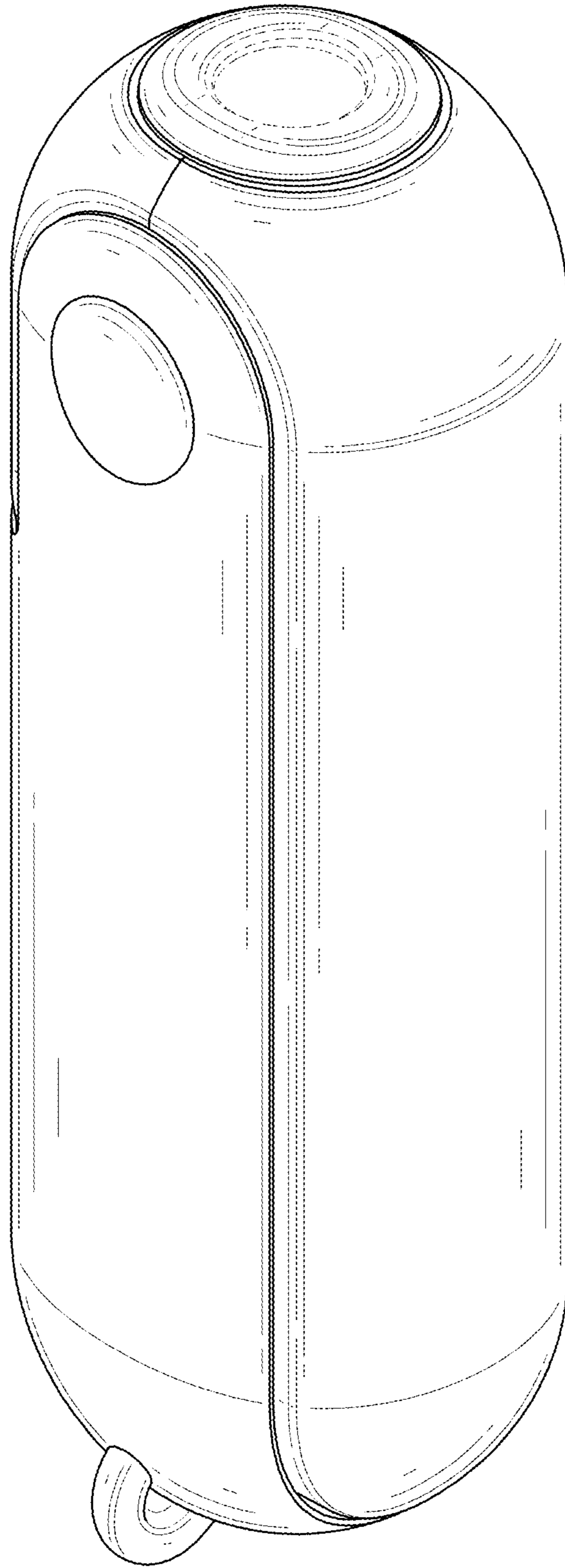


FIG. 11

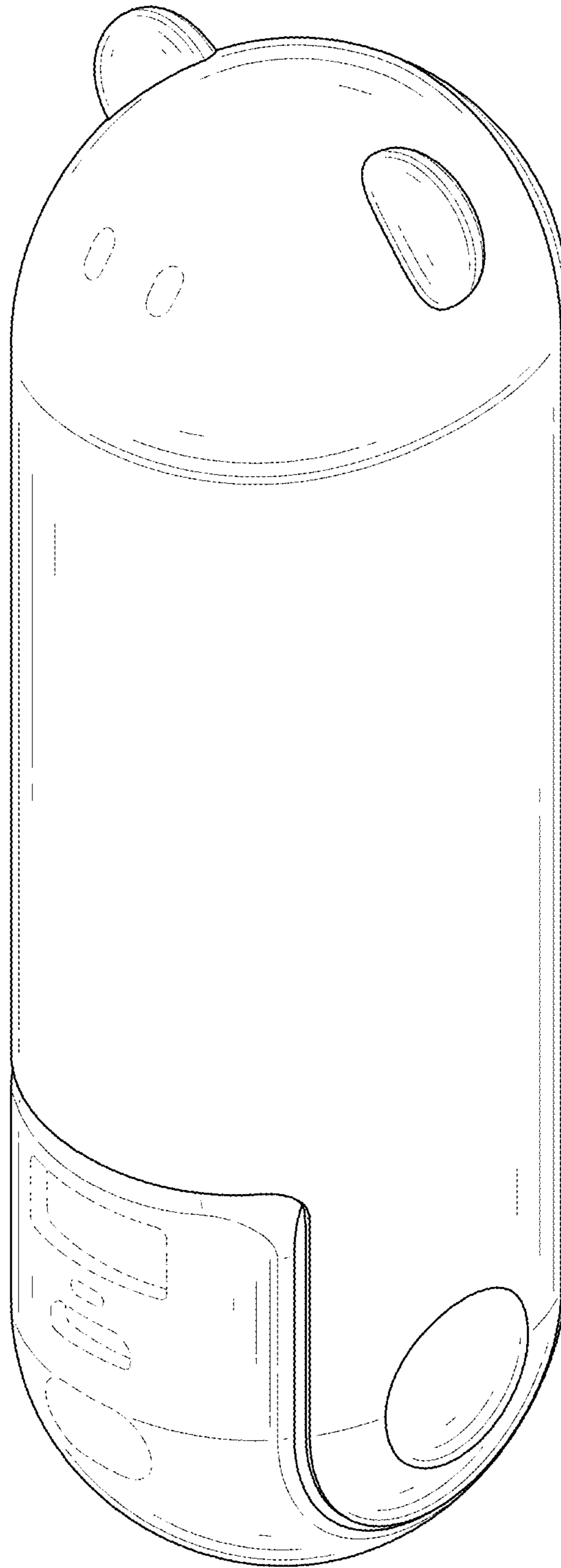


FIG. 12

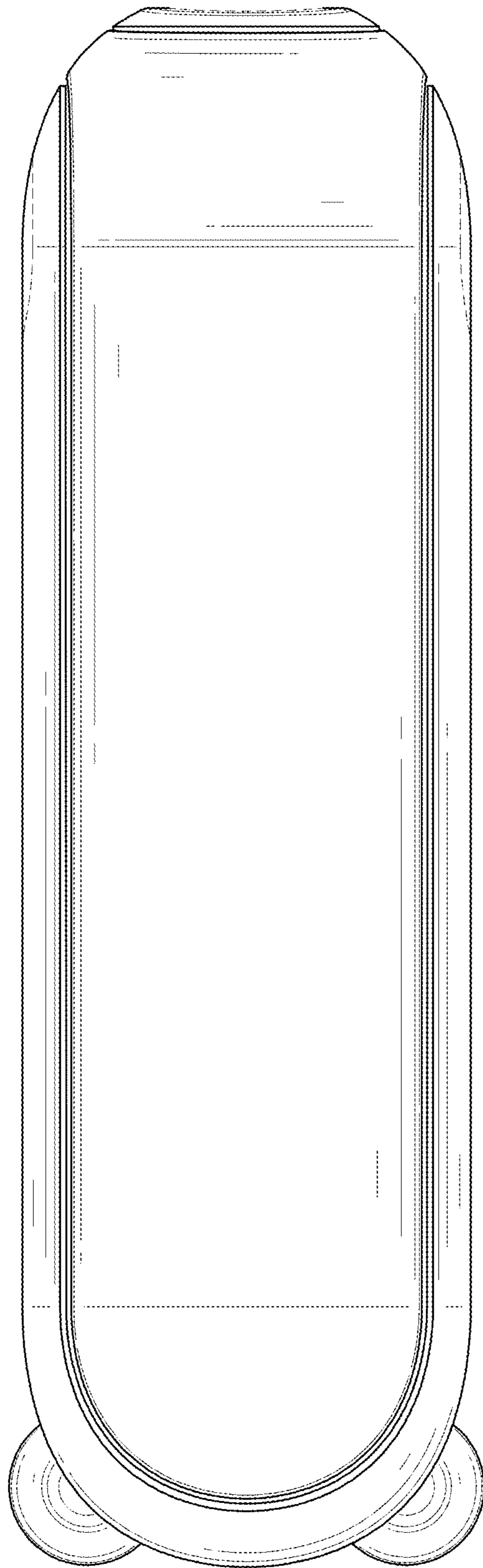


FIG. 13

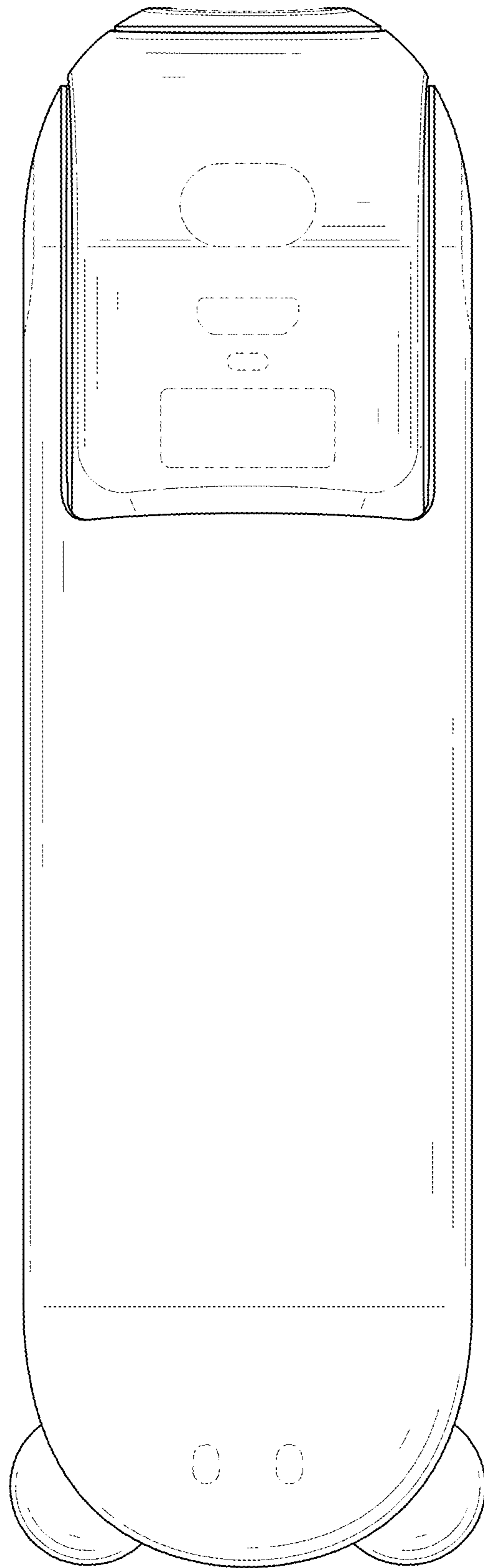


FIG. 14

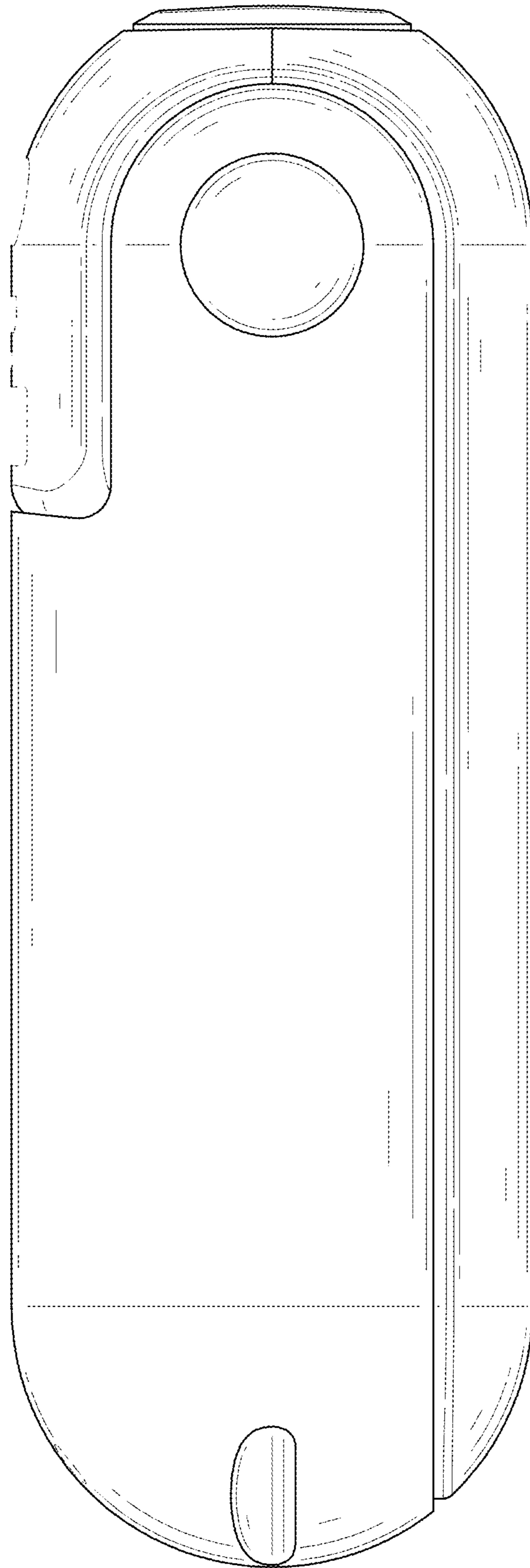


FIG. 15

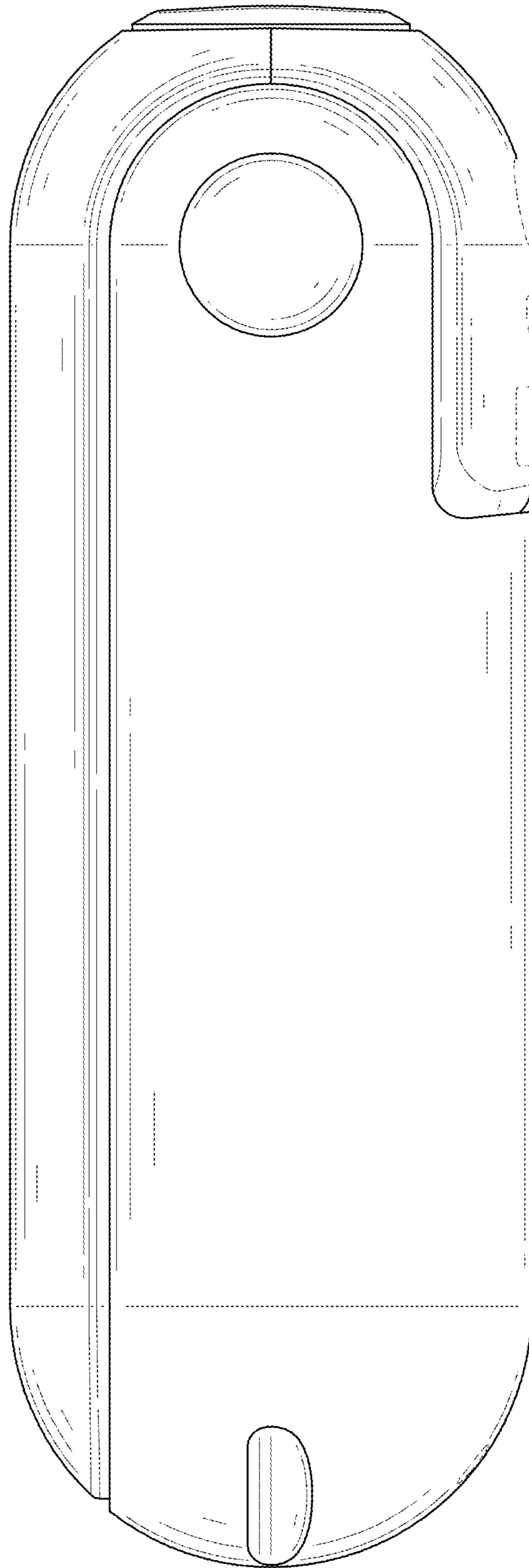


FIG. 16

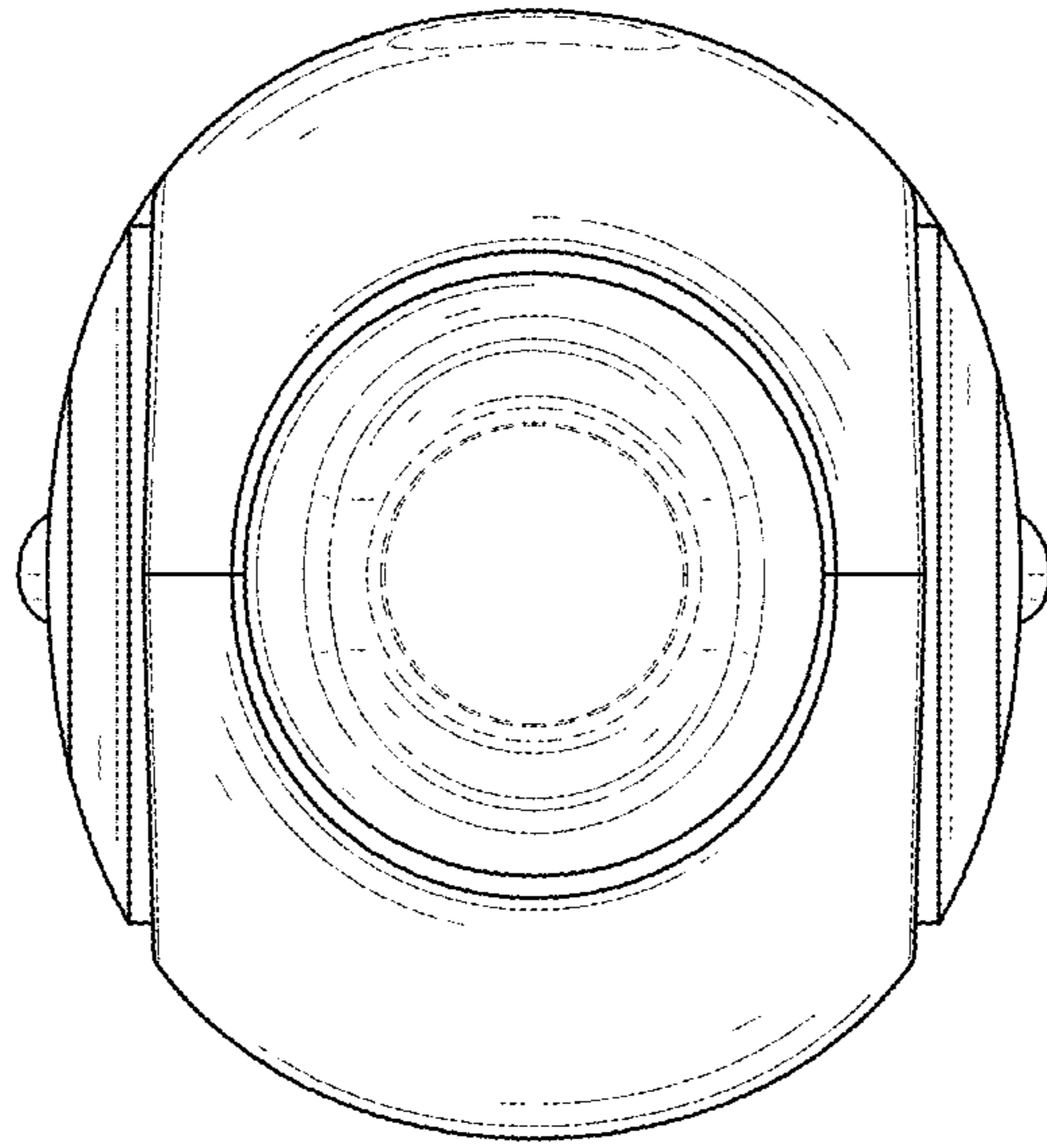


FIG. 17

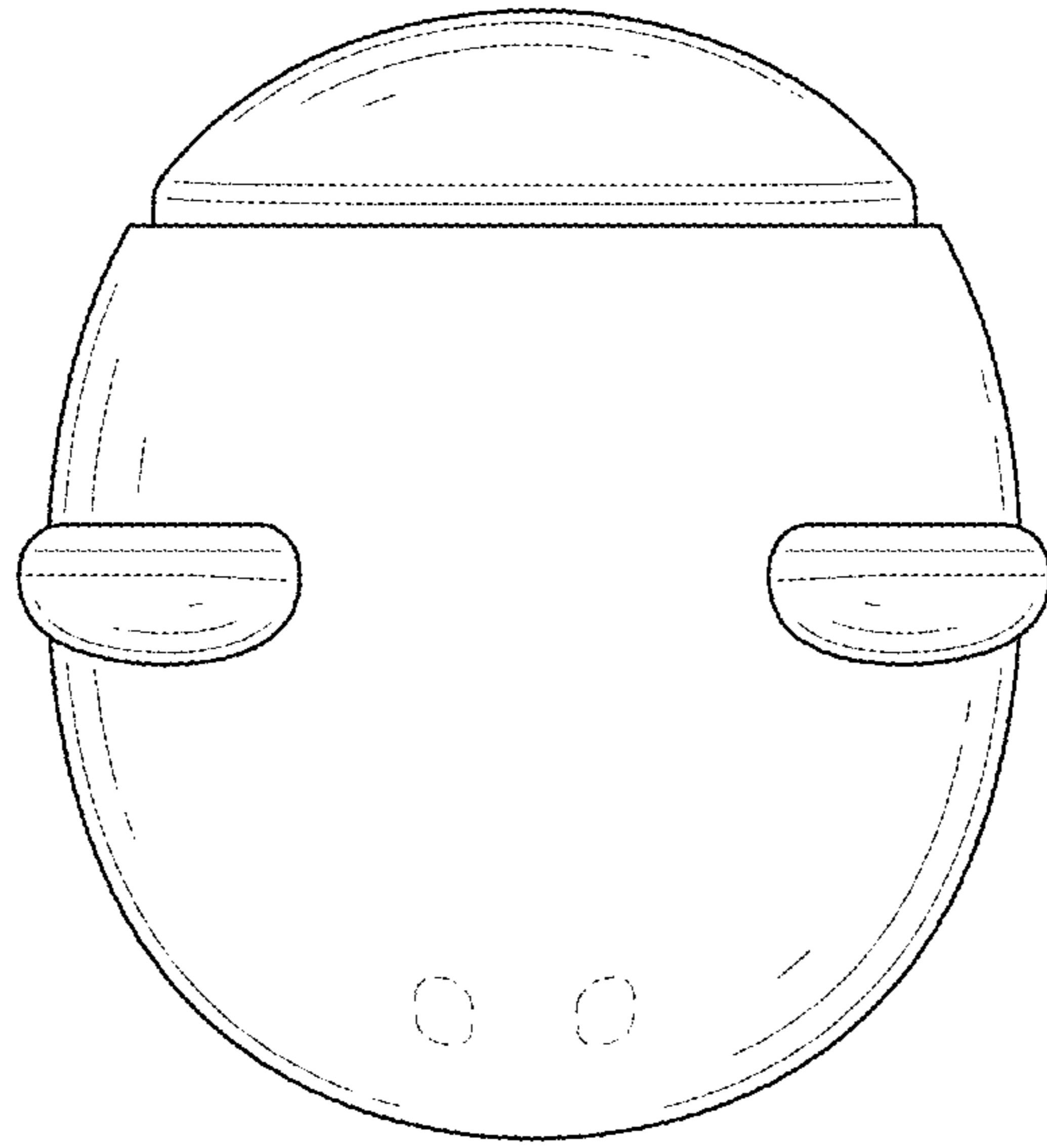


FIG. 18

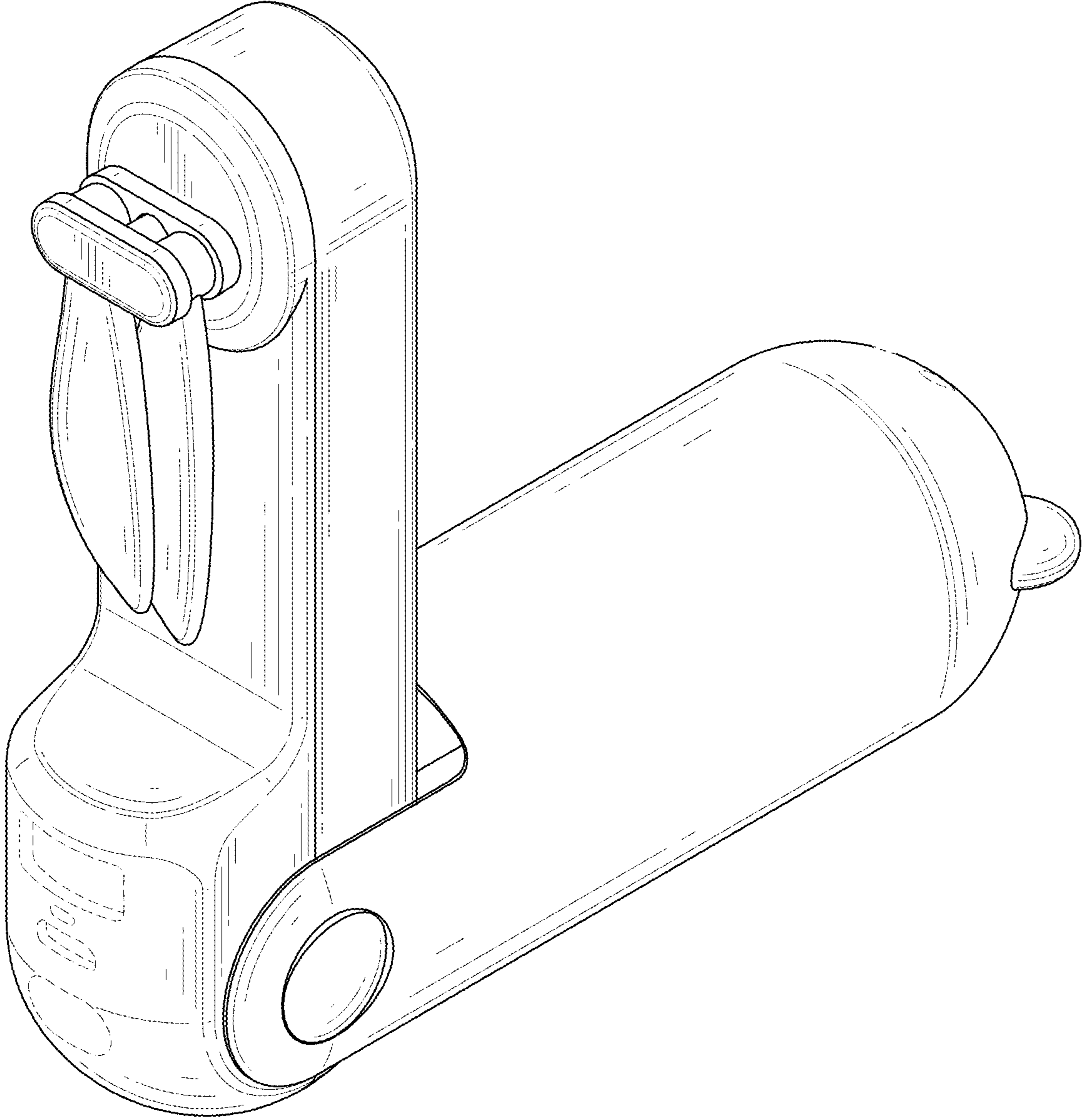


FIG. 19

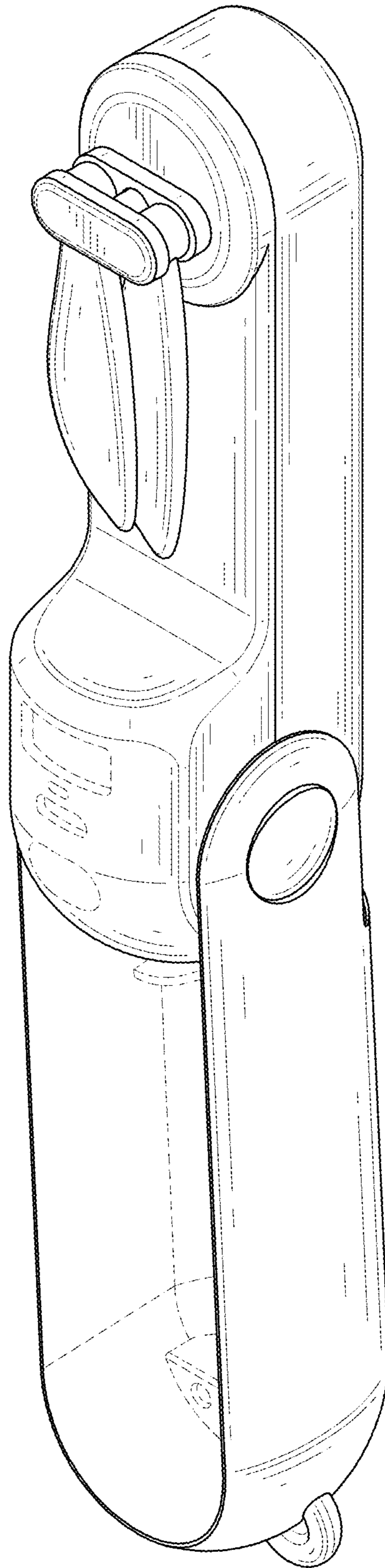


FIG. 20