



US00D886980S

(12) **United States Design Patent** (10) **Patent No.:** **US D886,980 S**
McRoberts et al. (45) **Date of Patent:** **** *Jun. 9, 2020**

- (54) **CEILING FAN**
- (71) Applicant: **HUNTER FAN COMPANY**,
Memphis, TN (US)
- (72) Inventors: **Claire Bernice McRoberts**, Memphis,
TN (US); **Serenity Berntson**, Sausalito,
CA (US)
- (73) Assignee: **Hunter Fan Company**, Memphis, TN
(US)
- (*) Notice: This patent is subject to a terminal dis-
claimer.
- (**) Term: **15 Years**
- (21) Appl. No.: **29/677,280**
- (22) Filed: **Jan. 18, 2019**

- D315,946 S 4/1991 Hollbrook
- D325,776 S 4/1992 Scofield et al.
- D328,638 S 8/1992 Hsieh
- D329,894 S 9/1992 Scofield
- 5,151,011 A 9/1992 Rezek
- D342,311 S 12/1993 Rezek
- D346,439 S 4/1994 Liu
- D346,858 S 5/1994 Lee
- D347,887 S 6/1994 Liu
- D386,257 S 11/1997 Liu

(Continued)

FOREIGN PATENT DOCUMENTS

CN 105179315 12/2015

OTHER PUBLICATIONS

<http://www.modernfan.com/products/ball.html>, Item Specification
for the Modern Fan Co. Ball, accessed Mar. 8, 2016.

(Continued)

Primary Examiner — Cathron C Brooks
Assistant Examiner — Sharon S Oum
(74) *Attorney, Agent, or Firm* — McGarry Bair PC

Related U.S. Application Data

- (60) Continuation of application No. 29/615,275, filed on
Aug. 28, 2017, now Pat. No. Des. 844,769, which is
a division of application No. 29/557,336, filed on
Mar. 8, 2016, now Pat. No. Des. 800,891.
- (51) **LOC (12) Cl.** **23-04**
- (52) **U.S. Cl.**
USPC **D23/377**
- (58) **Field of Classification Search**
USPC D23/355, 370–376, 378–387, 412, 414,
D23/377, 411, 413; D26/59; D12/214
CPC F04D 25/088; F04D 29/38; F04D 29/384;
F04D 29/386; F21V 33/0096
See application file for complete search history.

(57) **CLAIM**

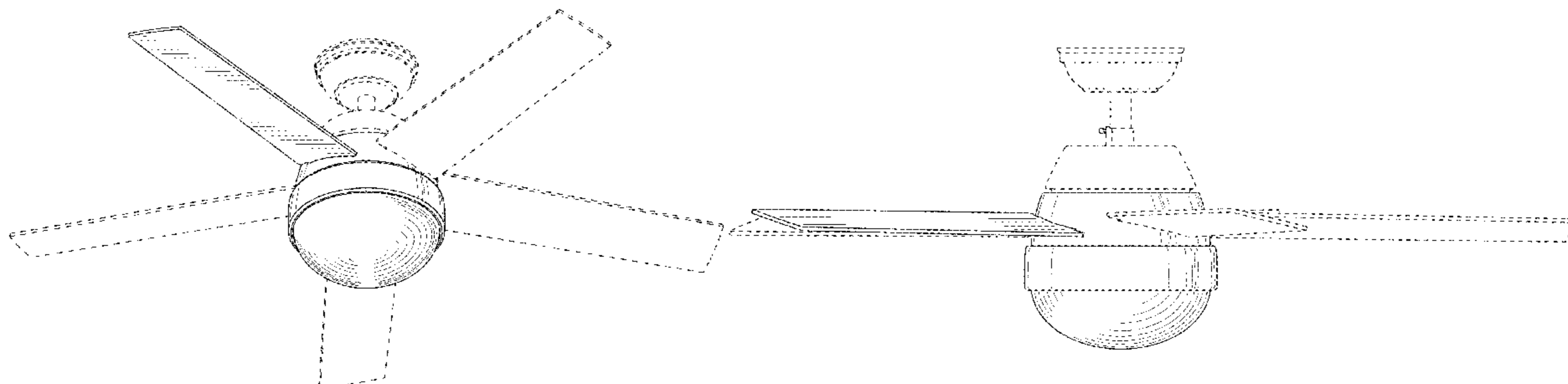
The ornamental design for a ceiling fan, as shown and
described.

DESCRIPTION

FIG. 1 is a top perspective view of a ceiling fan;
FIG. 2 is a bottom perspective view thereof;
FIG. 3 is a top view thereof;
FIG. 4 is a bottom view thereof;
FIG. 5 is a right side view thereof;
FIG. 6 is a left side view thereof;
FIG. 7 is a front side view thereof; and,
FIG. 8 is a rear side view thereof.
The broken lines illustrate portions of the ceiling fan and
form no part of the claimed design.

- (56) **References Cited**
U.S. PATENT DOCUMENTS
D48,034 S 10/1915 McKinnie
D75,509 S 6/1928 Moore
D126,211 S 4/1941 Rolph
D270,942 S 10/1983 McCain

1 Claim, 8 Drawing Sheets



(56)

References Cited

OTHER PUBLICATIONS

U.S. PATENT DOCUMENTS

D389,908 S 1/1998 Dolan
 D393,902 S 4/1998 Pickett
 D394,103 S 5/1998 Lee
 D396,530 S 7/1998 Tai
 D400,280 S 10/1998 Leen
 D402,075 S * 12/1998 Hudak D26/88
 D413,165 S 8/1999 Tsuji
 D426,339 S 6/2000 Chen
 D427,672 S 7/2000 Lee
 D433,114 S 10/2000 Liu
 D447,829 S 9/2001 Bradford et al.
 D453,563 S 2/2002 Bogazzi
 D454,633 S 3/2002 Young
 D466,206 S 11/2002 Gajewski
 D468,049 S 12/2002 Ries et al.
 D473,887 S 4/2003 Jones et al.
 D475,782 S 6/2003 Hidalgo
 D476,408 S 6/2003 Hidalgo
 D477,397 S 7/2003 Chen
 D478,974 S 8/2003 Hidalgo
 D478,980 S * 8/2003 Hidalgo D23/411
 D479,623 S 9/2003 Fu
 D484,964 S 1/2004 Young
 D485,608 S 1/2004 Chen
 D488,554 S 4/2004 Bacon et al.
 D495,411 S 8/2004 Chen
 D505,196 S 5/2005 Bacon et al.
 D506,822 S 6/2005 Young
 D512,139 S 11/2005 Hidalgo
 D517,194 S 3/2006 Gerhardt et al.
 D521,142 S 5/2006 Gerhardt et al.
 D524,928 S 7/2006 Young
 D525,699 S 7/2006 Davenport et al.
 D551,796 S 9/2007 Acedo
 D558,248 S 12/2007 Togawa et al.
 D571,034 S 6/2008 Goetz-Schaefer
 D571,035 S 6/2008 Yu
 D607,096 S 12/2009 Searle
 D615,181 S * 5/2010 Lee D23/377
 D615,692 S 5/2010 Lavallee
 D621,024 S 8/2010 Orozco
 D628,738 S 12/2010 Chen
 D630,312 S 1/2011 Spaulding
 D632,381 S 2/2011 Davenport et al.
 D639,996 S 6/2011 Stolte et al.
 D645,583 S 9/2011 Kim et al.
 8,218,805 B2 7/2012 Hornback
 D686,362 S 7/2013 Melrose
 D688,720 S 8/2013 Yilin
 D702,275 S 4/2014 Ying
 D706,410 S 6/2014 Pan
 D729,970 S 5/2015 Jepson
 D739,001 S 9/2015 Crisa'
 D744,633 S 12/2015 Wang
 D747,824 S 1/2016 Stolte et al.
 D753,753 S 4/2016 Moon et al.
 D753,866 S 4/2016 Stolte et al.
 D758,230 S 6/2016 Hojmose
 D770,672 S 11/2016 Ju et al.
 D782,103 S 3/2017 Shields et al.
 D783,145 S 4/2017 Wang
 D785,848 S 5/2017 Couture
 D789,511 S 6/2017 Wang
 D796,024 S 8/2017 Holmes
 D799,684 S 10/2017 Wang
 D800,289 S 10/2017 Guthrie
 D800,891 S 10/2017 McRoberts et al.
 D805,173 S * 12/2017 Vajen Habig D23/377
 D805,174 S 12/2017 Guthrie
 D805,175 S 12/2017 Haggar
 D808,509 S 1/2018 Gajewski
 D809,691 S 2/2018 Wang
 D844,769 S * 4/2019 McRoberts D23/411
 2015/0009666 A1 1/2015 Keng et al.
 2015/0369252 A1 12/2015 Janecek et al.

<http://www.minkagroup.net/all-collections?keys=concept>, Item Specification for the MinkaAire Concept I Model No. F516-BN 3 Concave Blades in Brushed Nickel Finish w/Silver Blades Integrated Halogen Lights, accessed Mar. 8, 2016.
<http://www.minkagroup.net/all-collections?keys=concept>, Item Specification for the MinkaAire Concept II Model No. F519-BN 52" 3 Concave Blades in Brushed Nickel Finish w/Silver Blades Integrated Halogen Lights, accessed Mar. 8, 2016.
<http://www.modernfan.com/products/dcslim.html>, Item Specification for the Modern Fan Co DC Slim, accessed Mar. 8, 2016.
<http://ceilingfans.emerson.com/shop/en/fan/fan-s-all/fans-s-browse-all/44-curva-sky-fan-p-cf144>, Item Specification for the Emerson Curva Sky 44" Curva Sky Model No. SKU: CF144WW, accessed Mar. 8, 2016.
<http://ceilingfans.emerson.com/shop/en/fan/fan-s-all/fans-s-browse-all/52-curva-fan-p-cf252>, Item Specification for the Emerson Curva 52" Curva Model No. SKU: CF252WW, accessed Mar. 8, 2016.
<http://www.modernfan.com/products/altusHugger.html>, Item Specification for the Modern Fan Co. Atlas Hugger, accessed Mar. 8, 2016.
http://www.lowes.com/pd_698414-82939-40747_1z0vgaxZ1z140v4_?productId=999945832&pl=1, Item Specification for the Harbor Breeze 44-in Oil Rubbed Bronze Downrod or Close Mount Indoor Ceiling Fan with Light Kit and Remote Control (3-Blade), Item #: 698414 | Model #: 40747, accessed Mar. 8, 2016.
<http://www.hunterpacific.com.au/intercept2.php>, Item Specification for the Hunter Pacific Intercept 2, accessed Mar. 8, 2016.
<http://www.kingoffans.com/#/products/ceilingFans>, Item Specification for the King of Fans Corrado Model No. 51543, accessed Mar. 8, 2016.
<http://www.hunterfan.com/ceiling-fans/arvada>, Item Specification for the Hunter Fan Arvada 52" Ceiling Fan Model No. 59035 Brushed Nickel Finish 4 Chocolate blades included, accessed Mar. 8, 2016.
<http://www.quoruminternational.com/index.cfm/app/productDetail?product=20543-965>, Item Specification for the Quorum International Model No. 20543-965 Stn—Satin Nickel Ceiling Fan (2) 40W C Satin Nickel blades, accessed Mar. 8, 2016.
<http://www.homedepot.com/p/GE-Treviso-52-in-Oil-Rubbed-Bronze-Indoor-LED-Ceiling-Fan-20321/206087472>, GE Treviso Item Specification for the Model # 20321 Treviso 52 in. Oil Rubbed Bronze Indoor LED Ceiling Fan, accessed Mar. 8, 2016.
<http://www.fanimation.com/products/index.php/fans/xeno.html>, Item Specification for the Fanimation Xeno Model No. FP6728, accessed Mar. 8, 2016.
<http://www.homedepot.com/p/Hampton-Bay-Northport-52-in-Brushed-Nickel-Ceiling-Fan-14926/202790687>, Item Specification for the Hampton Bay Northport Model # 14926 Internet # 202790687Northport 52 in. Brushed Nickel Ceiling Fan, accessed Mar. 8, 2016.
<http://www.minkagroup.net/minka-aire/products>, Item Specification for the Minka Aire Java Model No. F753-BNW, accessed Mar. 8, 2016.
<http://www.kichler.com/products/product/52-inch-vassar-ceiling-fan-ni-300175ni.aspx>, Item Specification for the Kichler Riggs Fan Vassar Collection 52 Inch Vassar Ceiling Fan NI 300175NI (Brushed Nickel), accessed Mar. 8, 2016.
<http://www.montecarlofans.com/44069/52in-Diamond-Polished-Nickel-4DDR52PND.html>, Item Specification for the Monte Carlo Fans Diamond Product #: 4DDR52PND, accessed Mar. 8, 2016.
<http://www.montecarlofans.com/38118/54-Butterfly-Brushed-Steel-4BFR54BSD.html>, Item Specification for the Monte Carlo Fans Butterfly Product #: 4BFR54BSD, accessed Mar. 8, 2016.
<http://www.quoruminternational.com/index.cfm/app/productDetail?product=42523-65>, Item Specification for the Quorum International Model No. 42523-65, accessed Mar. 8, 2016.
<http://www.homedepot.com/p/Casablanca-Isotope-44-in-Direct-Touch-Brushed-Nickel-Ceiling-Fan-59019/203472163>, Item Specification for the Casablanca Model # 59019 Internet # 203472163 Isotope 44 in. Direct Touch Brushed Nickel Ceiling Fan, accessed Mar. 8, 2016.

(56)

References Cited

OTHER PUBLICATIONS

<http://www.homedepot.com/p/Hunter-Sonic-52-in-Brushed-Nickel-Ceiling-Fan-59072/204788065>, Item Specification for the Hunter Sonic Model # 59072 Internet # 204788065 Sonic 52 in. Brushed Nickel Ceiling Fan, accessed Mar. 8, 2016.

<http://www.homedepot.com/p/Hampton-Bay-Sovana-44-in-White-Ceiling-Fan-14412/203697108>, Item Specification for the Hampton Bay Sovana Model # 14412 Sovana 44 in. White Ceiling Fan, accessed Mar. 8, 2016.

<http://www.montecarlofans.com/30522/56-Veer-Fan-w/-Remote-&-Light-Kit--3VER56PND.html>, Item Specification for the Monte Carlo Fans Veer Product #: 3VER56PND, accessed Mar. 8, 2016.

<http://www.menards.com/main/p-1444427219599-c-7488.htm?tid=2586061917143359280>, Item Specification for the Turn of the Century Photon 52 in. English Bronze Ceiling Fan Model No. MEN-ST230585, accessed Mar. 8, 2016.

<http://www.casablancafanco.com/Ceiling-Fans/Isotope?ModelNumber=59020>, Item Specification for the Casablanca Fan Co Isotope Model 59020 Brushed Cocoa 5 Espresso Veneer Exclusive blades included, accessed Mar. 8, 2016.

<http://www.hunterfan.com/Ceiling-Fans/Landsdowne?ModelNumber=59172>, Item Specification for the Hunter Fan Landsdowne 52" Ceiling Fan Model No. 59172 Cheyenne Bronze Finish 5 Burnished Grey Pine / Grey Pine Reversible blades included, accessed Mar. 8, 2016.

<http://www.quoruminternational.com/index.cfm/app/productDetail?product=65524-8>, Item Specification for the Quorum International 65524-8 Model No. 65524-8, accessed Mar. 8, 2016.

<http://www.quoruminternational.com/index.cfm/app/productDetail?product=88525-16>, Item Specification for the Quorum International Model No. 88525-16, accessed Mar. 8, 2016.

Emerson Ceiling Fans CF244ORB, Curva, date first available Jan. 18, 2010, amazon.com, site visited Jul. 14, 2017, Copyright 1996-2017. Available from Internet, https://www.amazon.com/Emerson-Ceiling-CF244ORB-Outdoor-44-Inch/dp/B00350QGIY/ref=sr_1_1?ie=UTF8&sr=8-1-spons&keywords=emerson+curva&psc=1.

Minka Aire F577-BNW Concept I Outdoor Ceiling Fan, date first available Jan. 18, 2010, amazon.com, site visited Jul. 14, 2017, Copyright 1996-2017, Available from Internet, https://amazon.com/577-BNW-Concept-Outdoor-Ceiling-Integrated/dp/B003V6PN6Q/ref=sr_1_1?ie=UTF8&qid=1498058930&sr=8-1-spons&keywords=minka+aire+.

Vaxcel FN52238OBB Fresco II Dual Mount Ceiling Fan, date first available Apr. 4, 2009, amazon.com, site visited Jul. 14, 2017, Copyright 1996-2017, Available from Internet, https://amazon.com/Vaxcel-FN52238OBB-Fresco-Ceiling-Burnished/dp/B00258T2K4/ref=sr_1_1?ie=UTF8&qid=1498063107&sr=8-1&keywords=Vaxcel+Lighting+Fr.

Quorum International 142523-86 Bronz 3-Blade Patio Ceiling Fan with Walnut ABS Blades and Integrated Light Kit, date first available Mar. 21, 2013, amazon.com, site visited Jul. 14, 2017, Copyright 1996-2017, Available from Internet, <https://www.amazon.com/Quorum-International-142523-86-3-Blade-Integrated/dp/B00CYA86YQ/>.

Modern Fan GUS-BN, date first available Jun. 16, 2011, amazon.com, site visited Jul. 14, 2017, Copyright 1996-2017, Available from Internet, https://www.amazon.com/Modern-Fan-Outdoor-Ceiling-GUS-BL-56-NK/dp/B0056AW188/ref=sr_1_1?ie=UTF8&qid=1500043904&sr=8-1&keywords=modern+fan+company+gusto.

Hampton Bay Northport, date first available Oct. 5, 2012, amazon.com, site visited Jul. 14, 2017, Copyright 1996-2017, Available from Internet, https://www.amazon.com/Northport-Brushed-Nickel-52-Nickel/dp/B009M9AB8Q/ref=sr_1_1?ie=UTF8&qid=1500044183&sr=8-1&keywords=hampton+bay+northport.

Hunter 59219 48" Leoni Ceiling Fan, date first available Feb. 29, 2016, amazon.com, site visited Apr. 2, 2018, Copyright © 1996-2018, < https://www.amazon.com/Hunter-59219-Ceiling-Handheld-Brushed/dp/B01COFZTQY/ref=sr_1_1?ie=UTF8&qid=1522679128&sr=8-1&keywords=hunter+ceiling+fan+leoni >.

* cited by examiner

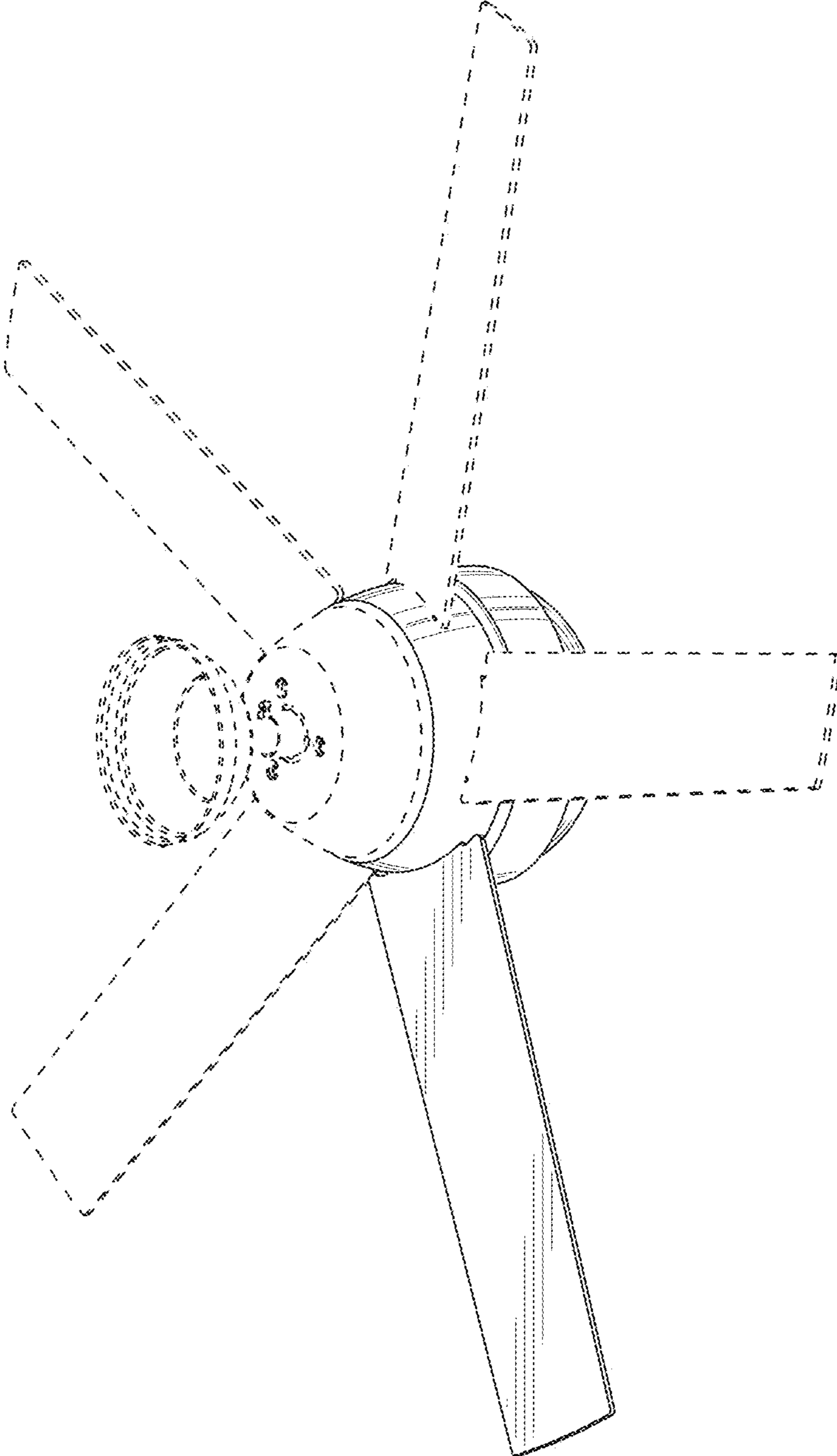


FIG. 1

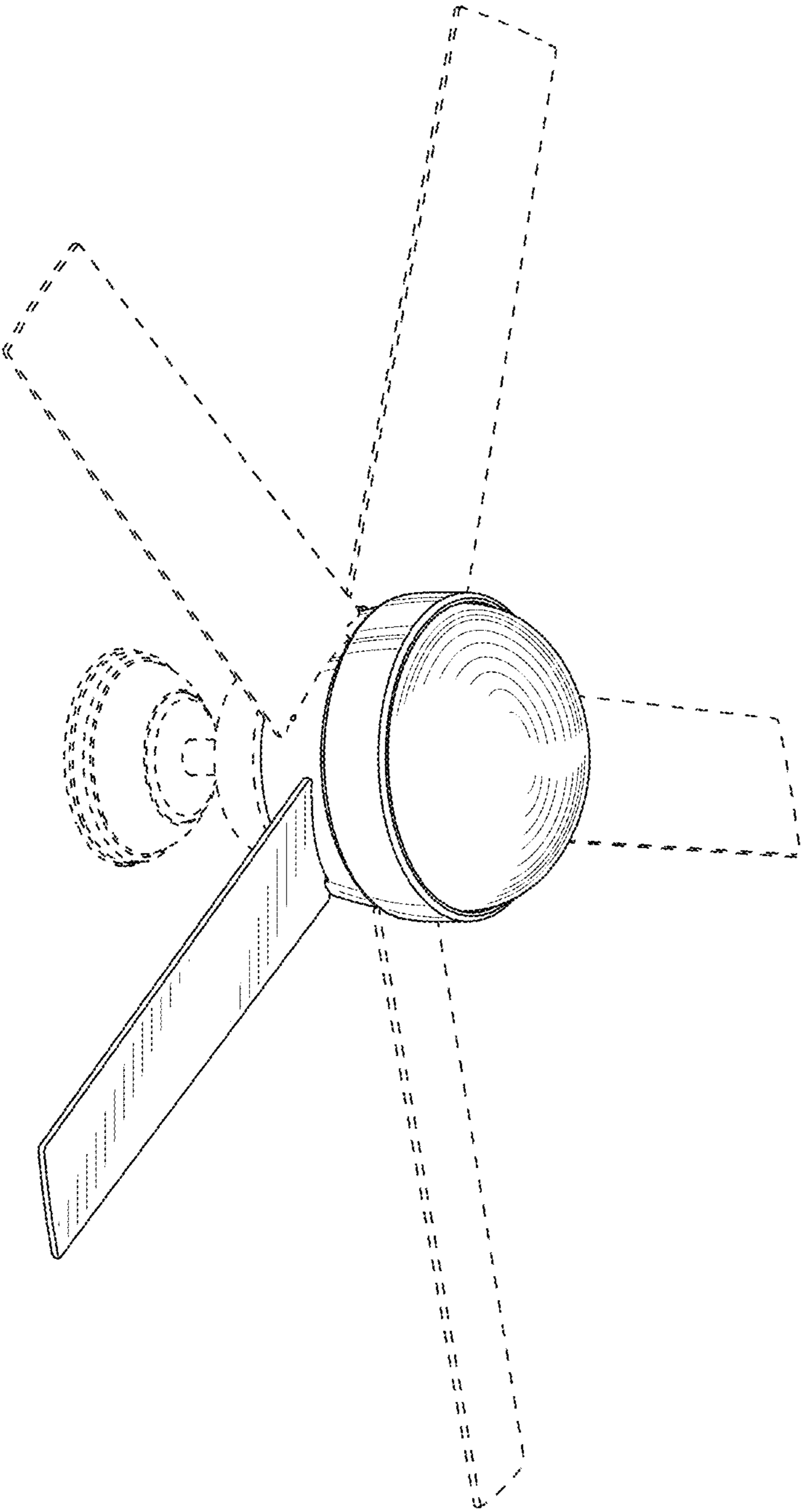


FIG. 2

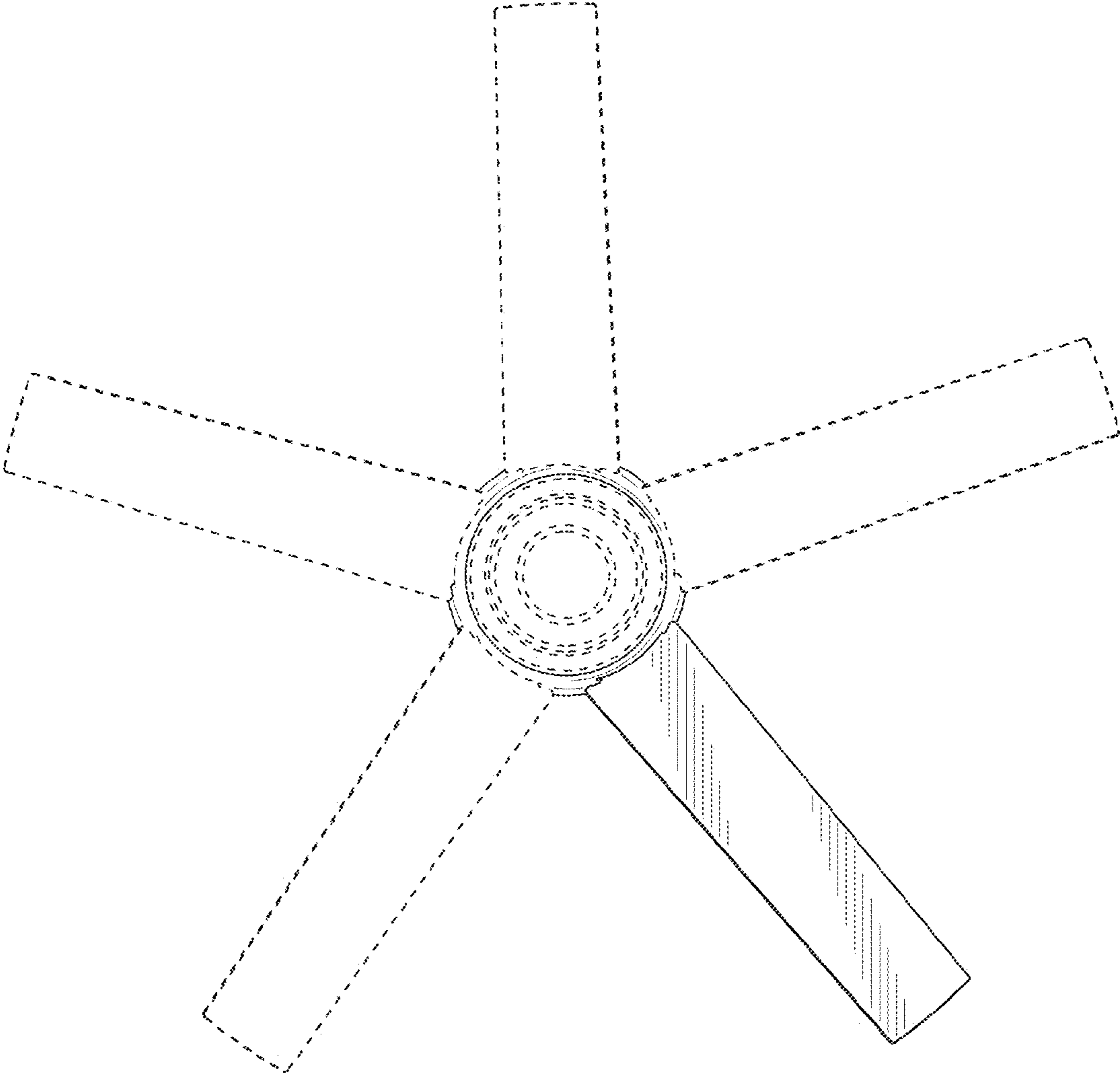


FIG. 3

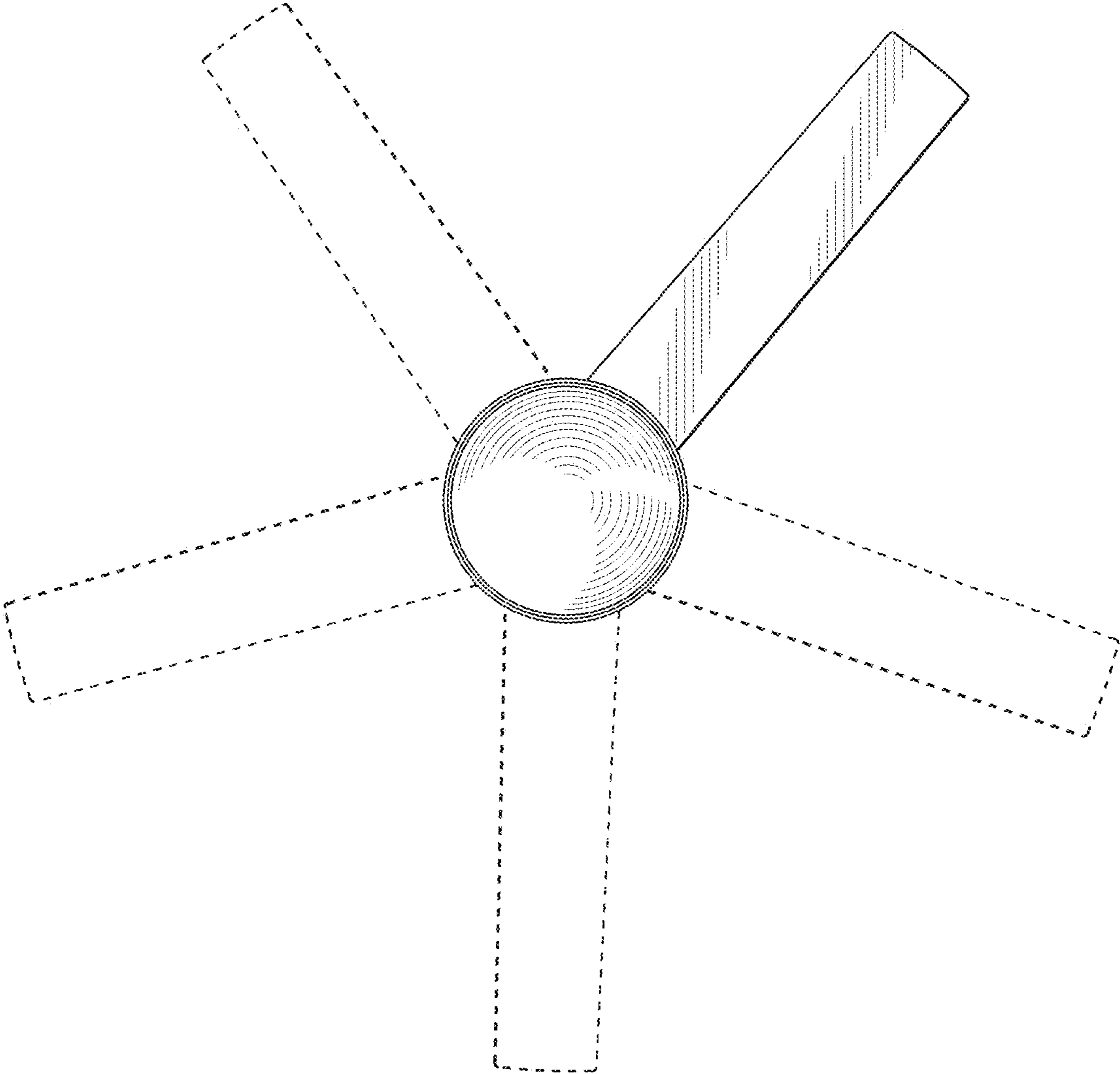


FIG. 4

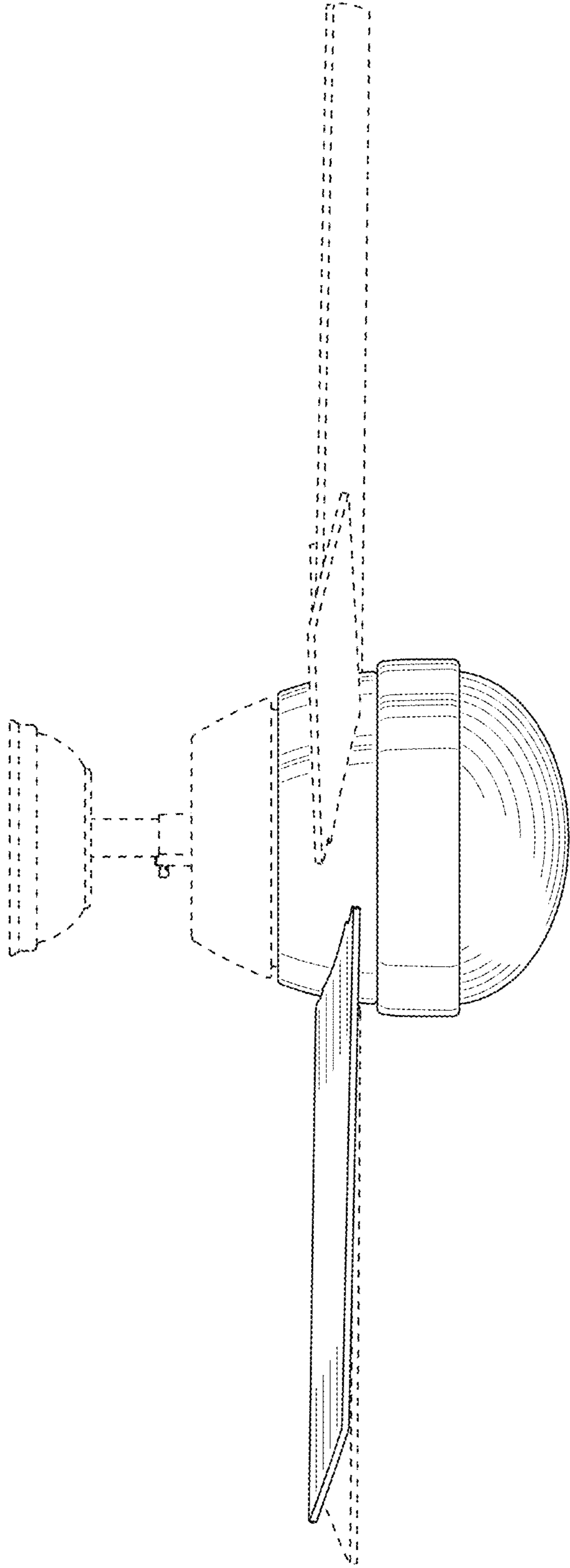


FIG. 5

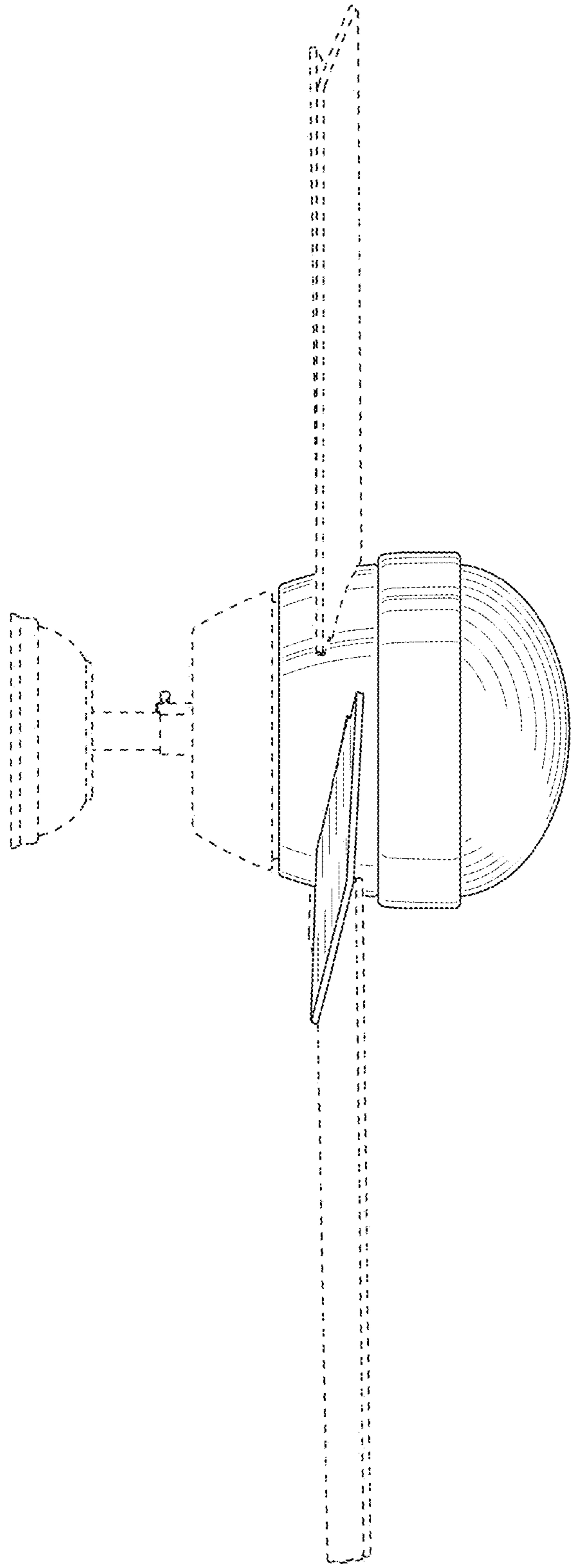


FIG. 6

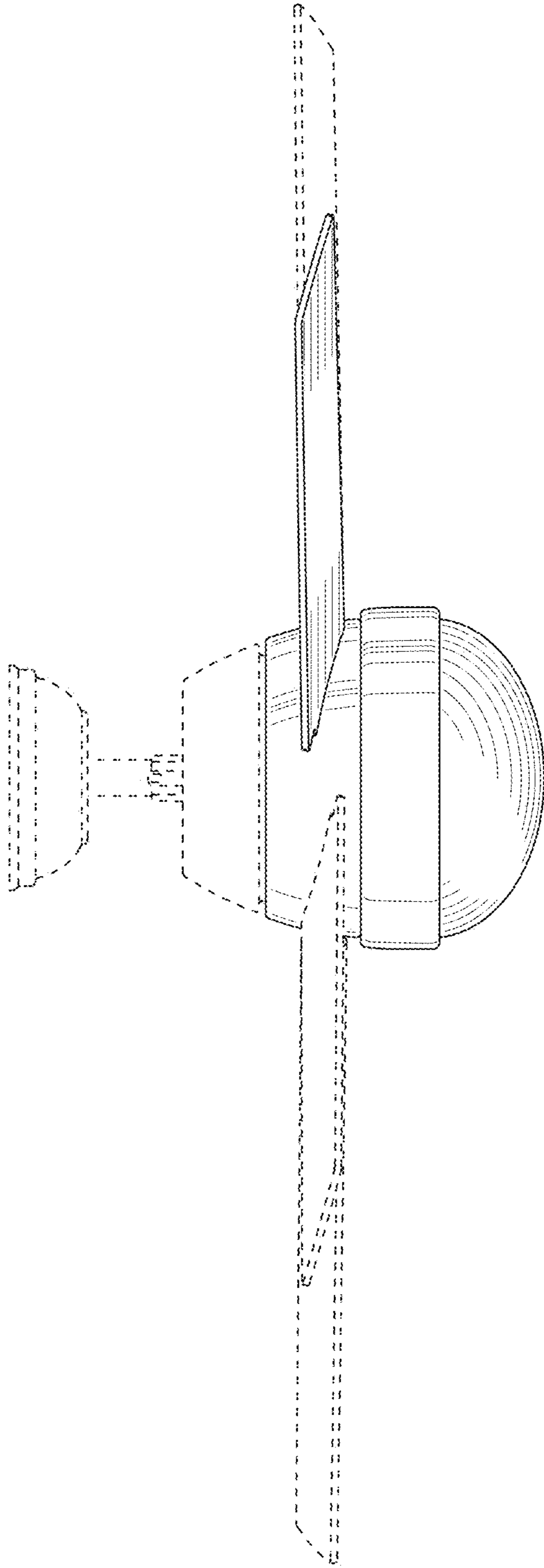


FIG. 7

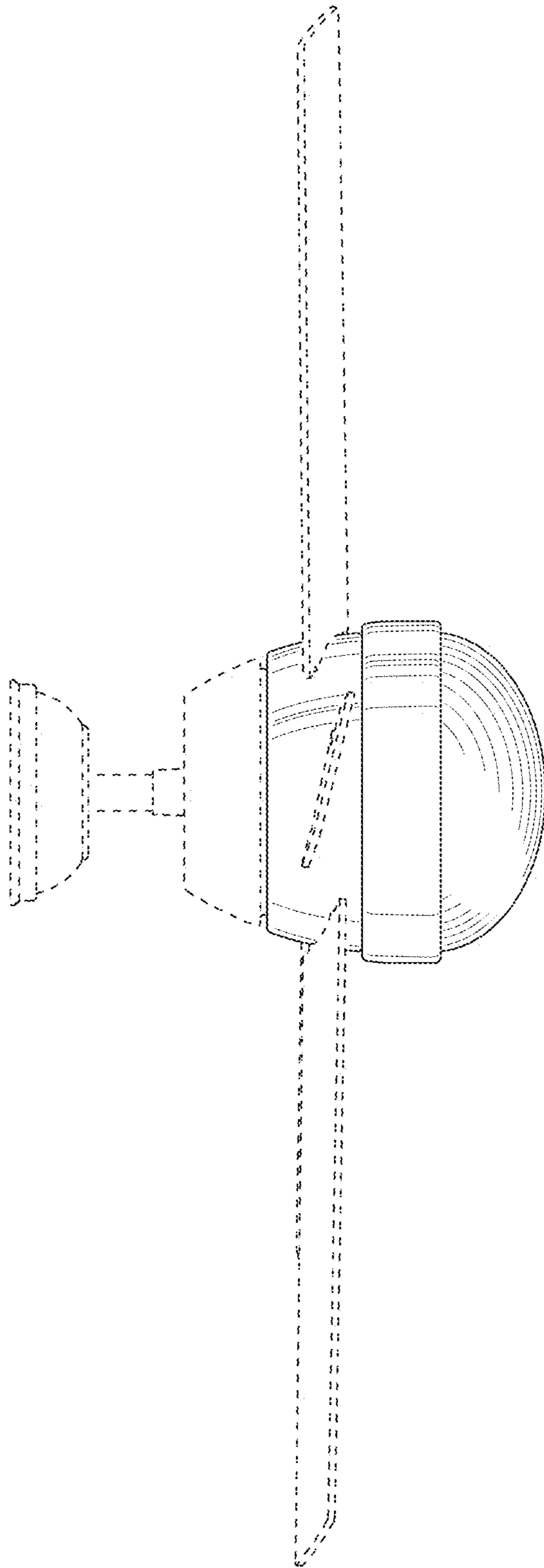


FIG. 8