



US00D886975S

(12) **United States Design Patent**  
**Yang et al.**

(10) **Patent No.:** **US D886,975 S**  
(45) **Date of Patent:** **\*\* Jun. 9, 2020**

- (54) **AIR PURIFIER**
- (71) Applicants: **Lin Yang**, Shenzhen (CN); **Hai Yang**, Shenzhen (CN)
- (72) Inventors: **Lin Yang**, Shenzhen (CN); **Hai Yang**, Shenzhen (CN)
- (\*\*) Term: **15 Years**
- (21) Appl. No.: **29/696,444**
- (22) Filed: **Jun. 27, 2019**
- (51) **LOC (12) Cl.** ..... **23-04**
- (52) **U.S. Cl.**  
USPC ..... **D23/364**
- (58) **Field of Classification Search**  
USPC ..... D23/355-366, 352, 369, 332, 333, 335, D23/336, 342, 351; 422/120, 122; 55/356, 473, 504; 96/97; 261/DIG. 17, 261/DIG. 65, DIG. 88, DIG. 31  
CPC .. A61L 9/16; A61L 9/22; B01D 47/00; B01D 47/027; B01D 2221/02; B01D 2259/4508; B03C 3/155; B03C 3/368; F24F 3/16; F24F 13/20; F24F 13/28; F24F 2001/0096  
See application file for complete search history.

D836,760 S *	12/2018	Fredang .....	D23/364
D844,767 S *	4/2019	Chen .....	D23/364
D845,456 S *	4/2019	Swanson .....	D23/359
D852,344 S *	6/2019	Hua .....	D23/364
D854,134 S *	7/2019	Jessup .....	D23/364
D855,787 S *	8/2019	Sakamoto .....	D23/370
D865,149 S *	10/2019	Lin .....	D23/364
D870,870 S *	12/2019	Copparstad .....	D23/351
D873,401 S *	1/2020	Chen .....	D23/364
D877,874 S *	3/2020	Liu .....	D23/364

\* cited by examiner

*Primary Examiner* — David G Muller

(74) *Attorney, Agent, or Firm* — Jianmin Zhou

(57) **CLAIM**

The ornamental design for an air purifier, as shown and described.

**DESCRIPTION**

FIG. 1 is a left upper perspective view of an air purifier showing our new design.

FIG. 2 is a front view thereof;

FIG. 3 is a rear view thereof;

FIG. 4 is a left side view thereof;

FIG. 5 is a right side view thereof;

FIG. 6 is a top view thereof; and,

FIG. 7 is a bottom view thereof.

Any shading and cross-hatching are not features of the design but are utilized to illustrate the surface contours of the air purifier design in the drawings.

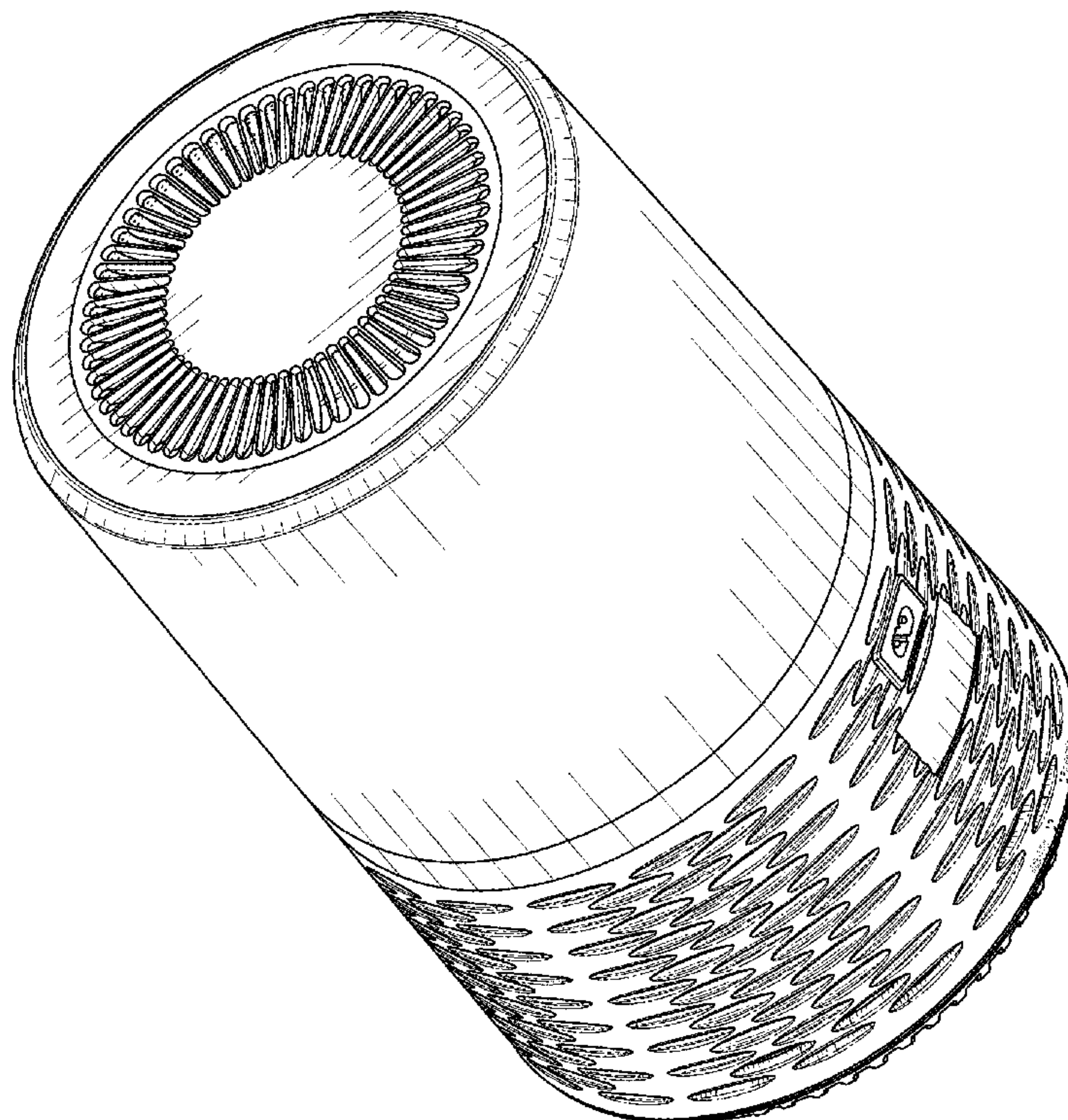
The broken line showing of parts of the drawings is included for the purpose of illustrating use and environment and forms no part of the claimed design.

**1 Claim, 7 Drawing Sheets**

(56) **References Cited**

U.S. PATENT DOCUMENTS

D831,811 S *	10/2018	Cho .....	D23/364
D835,765 S *	12/2018	Chen .....	D23/364
D835,766 S *	12/2018	Chen .....	D23/364





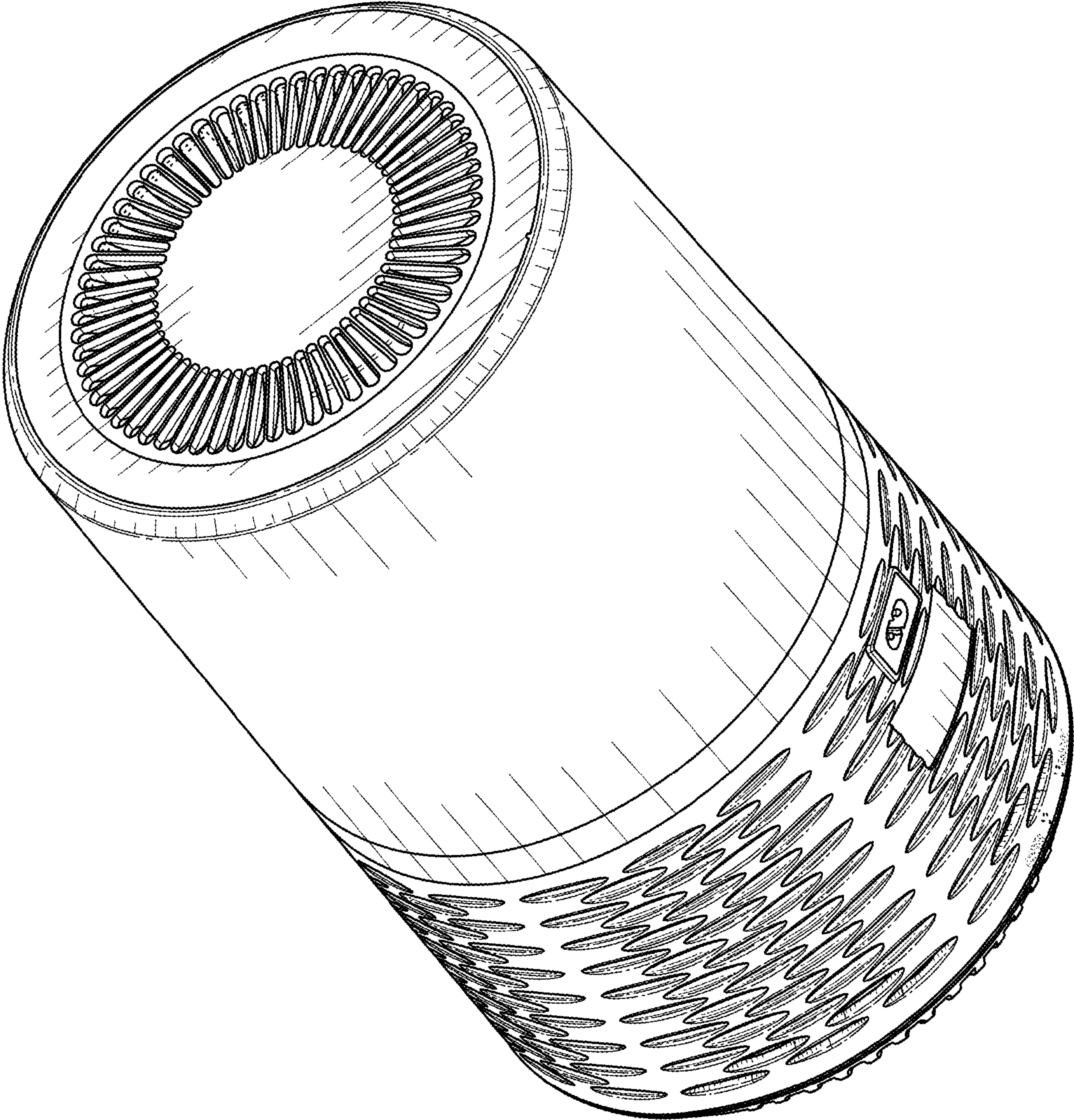


FIG. 1

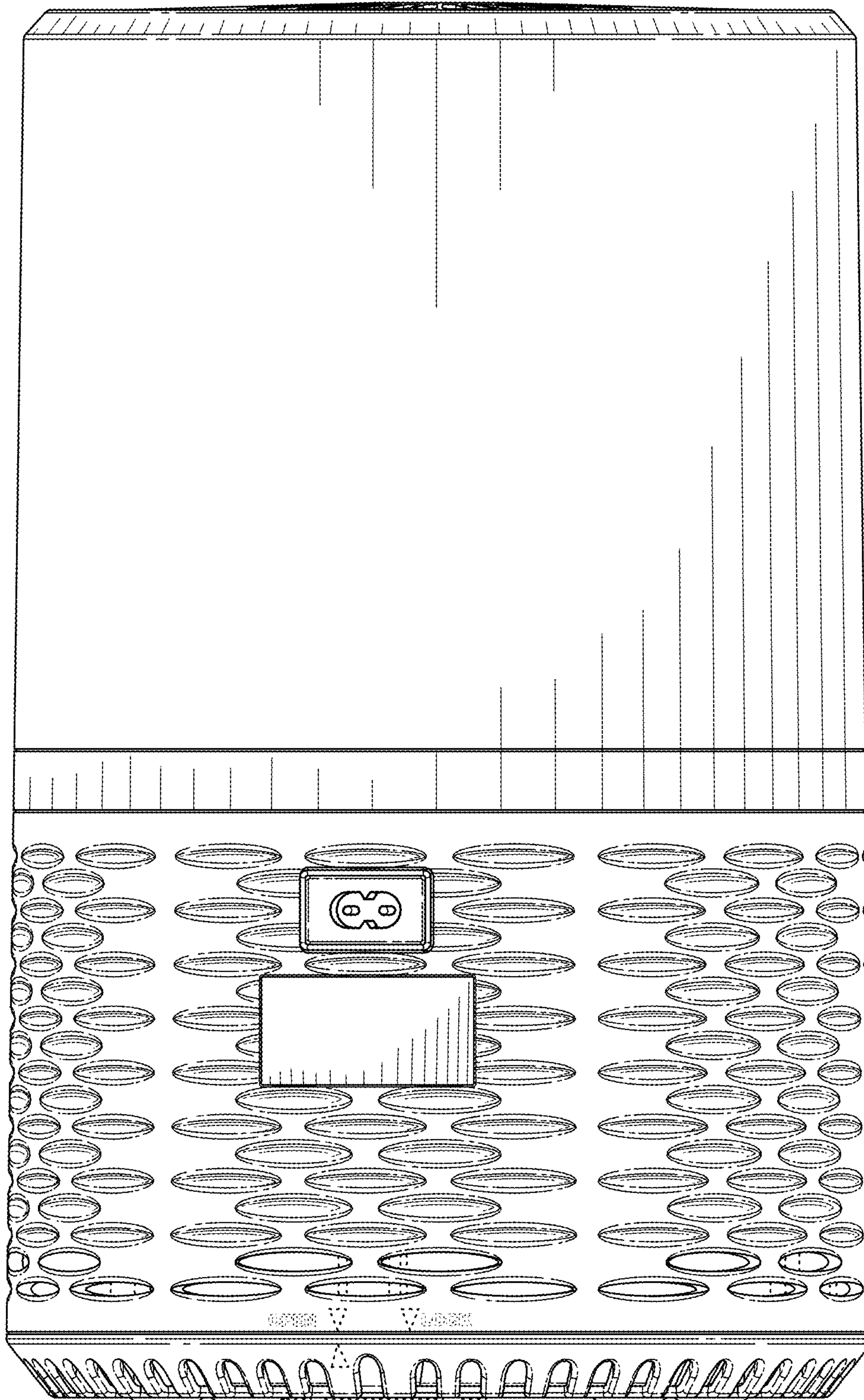


FIG. 2



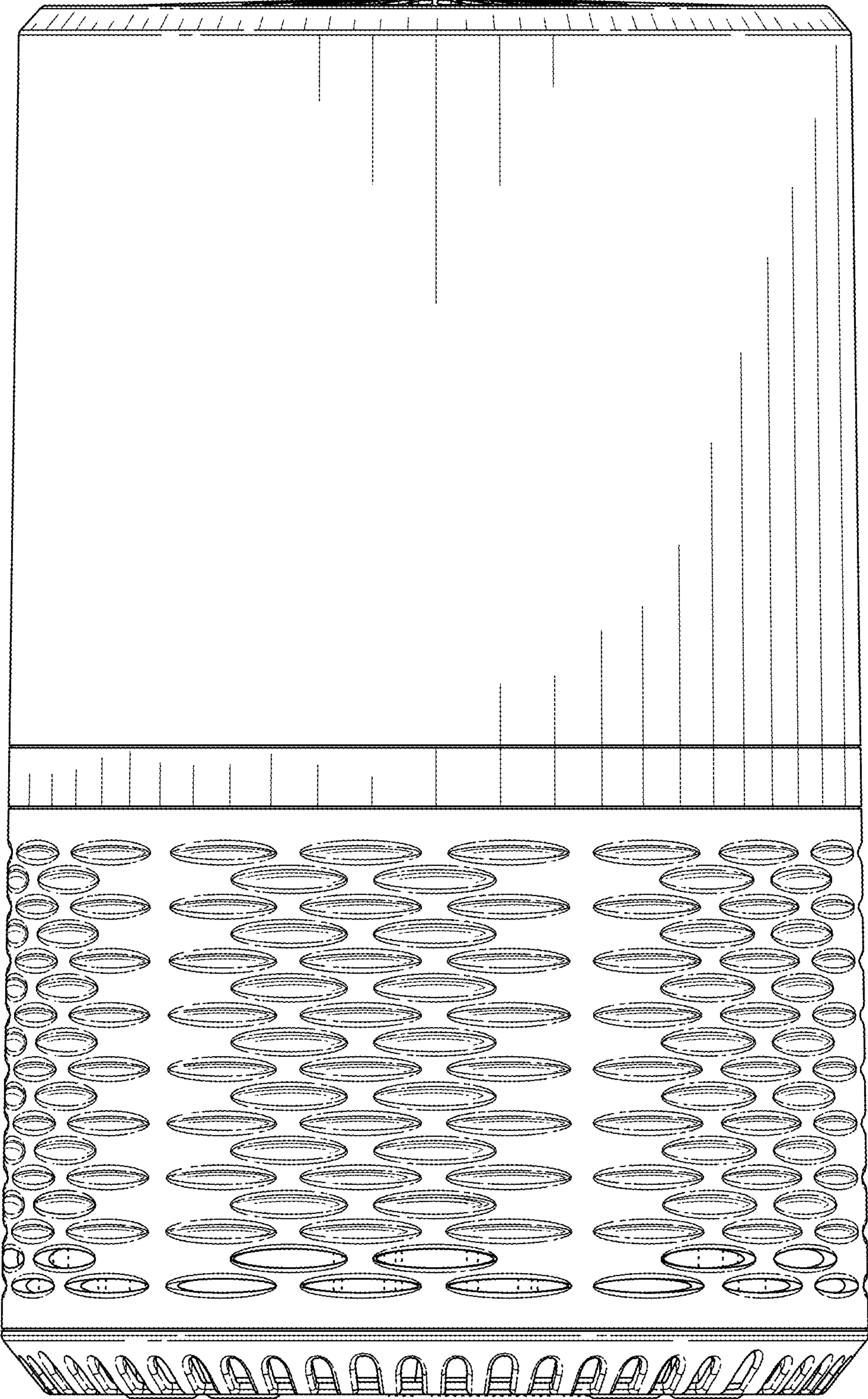


FIG. 3

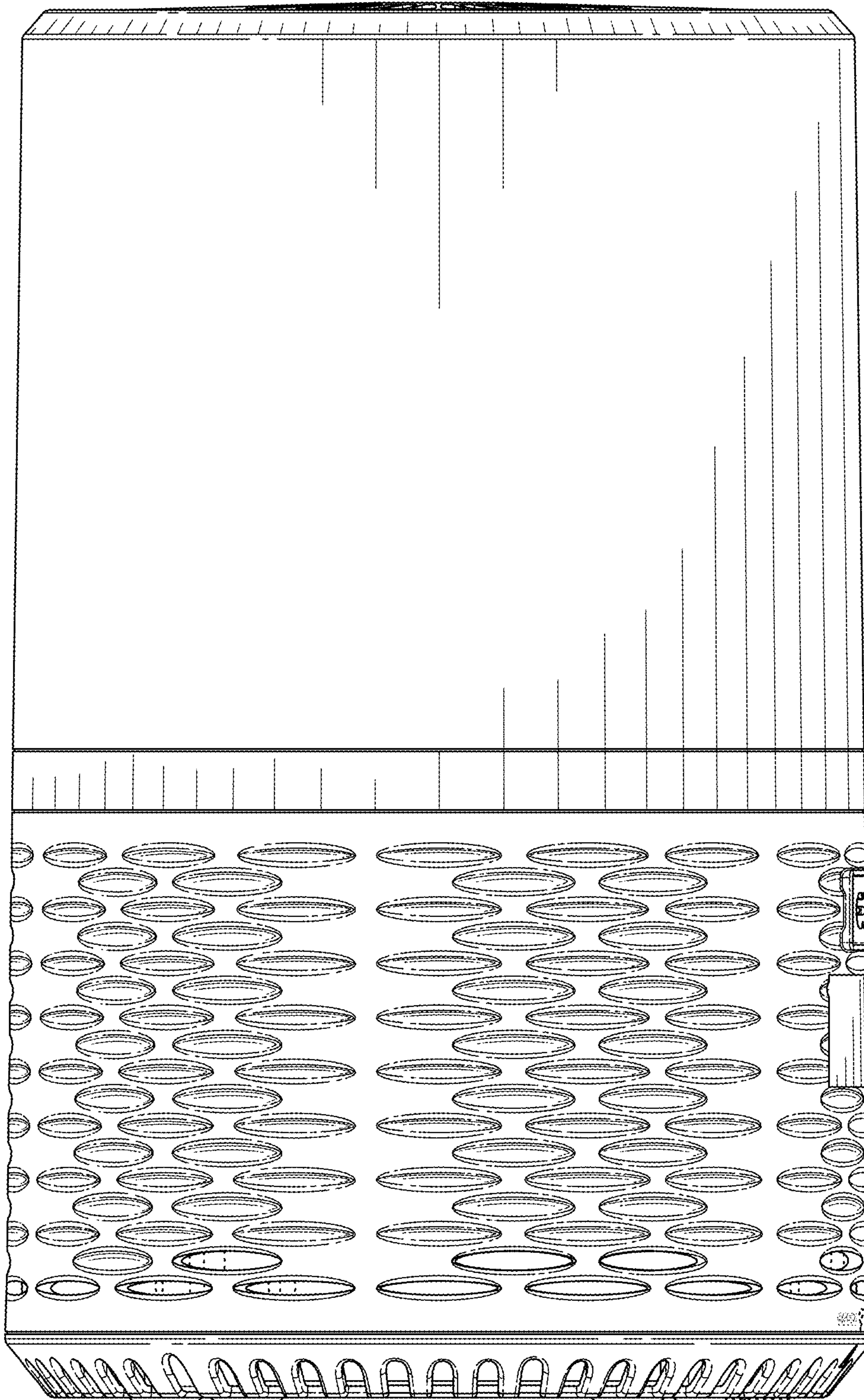


FIG. 4



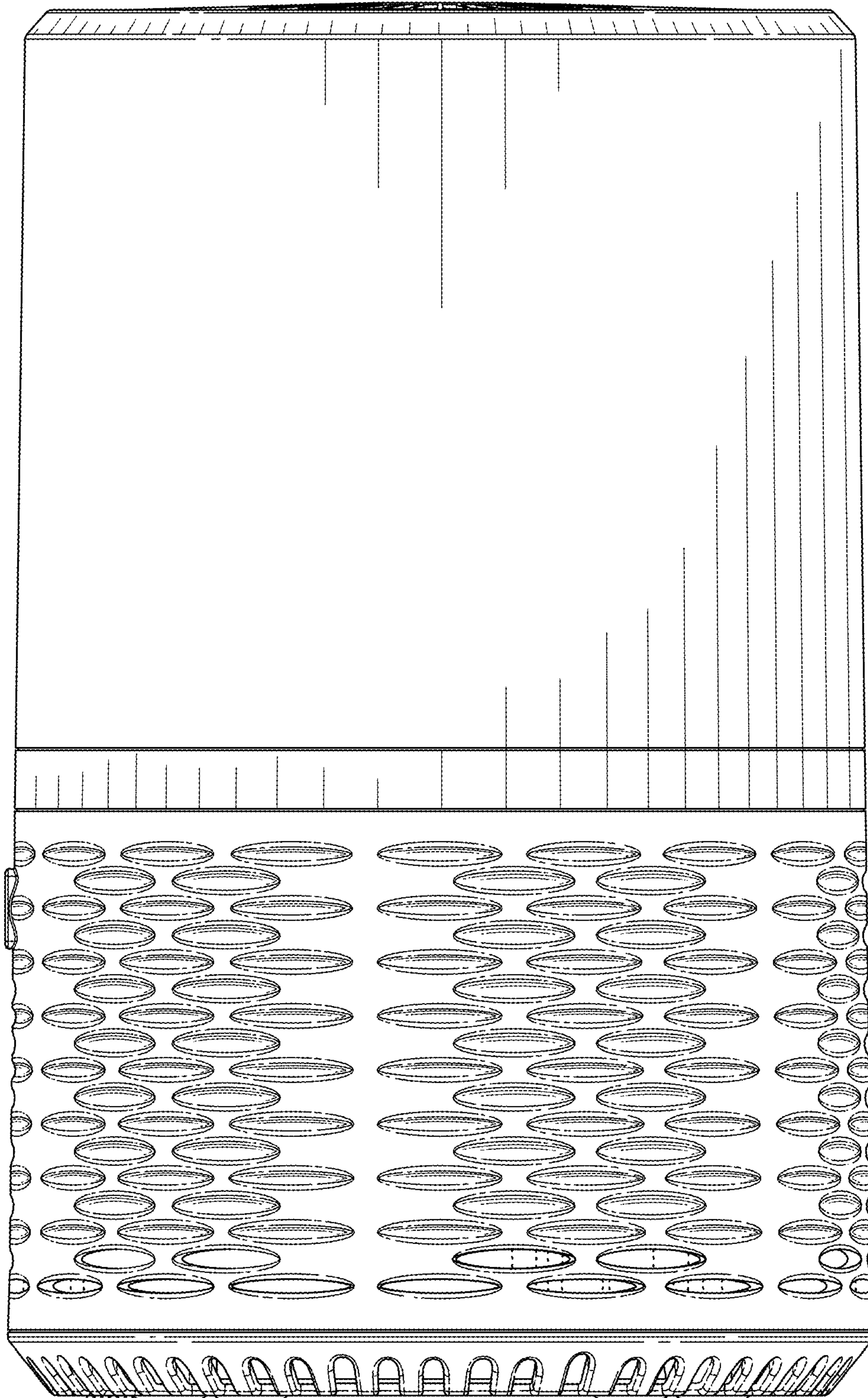


FIG. 5

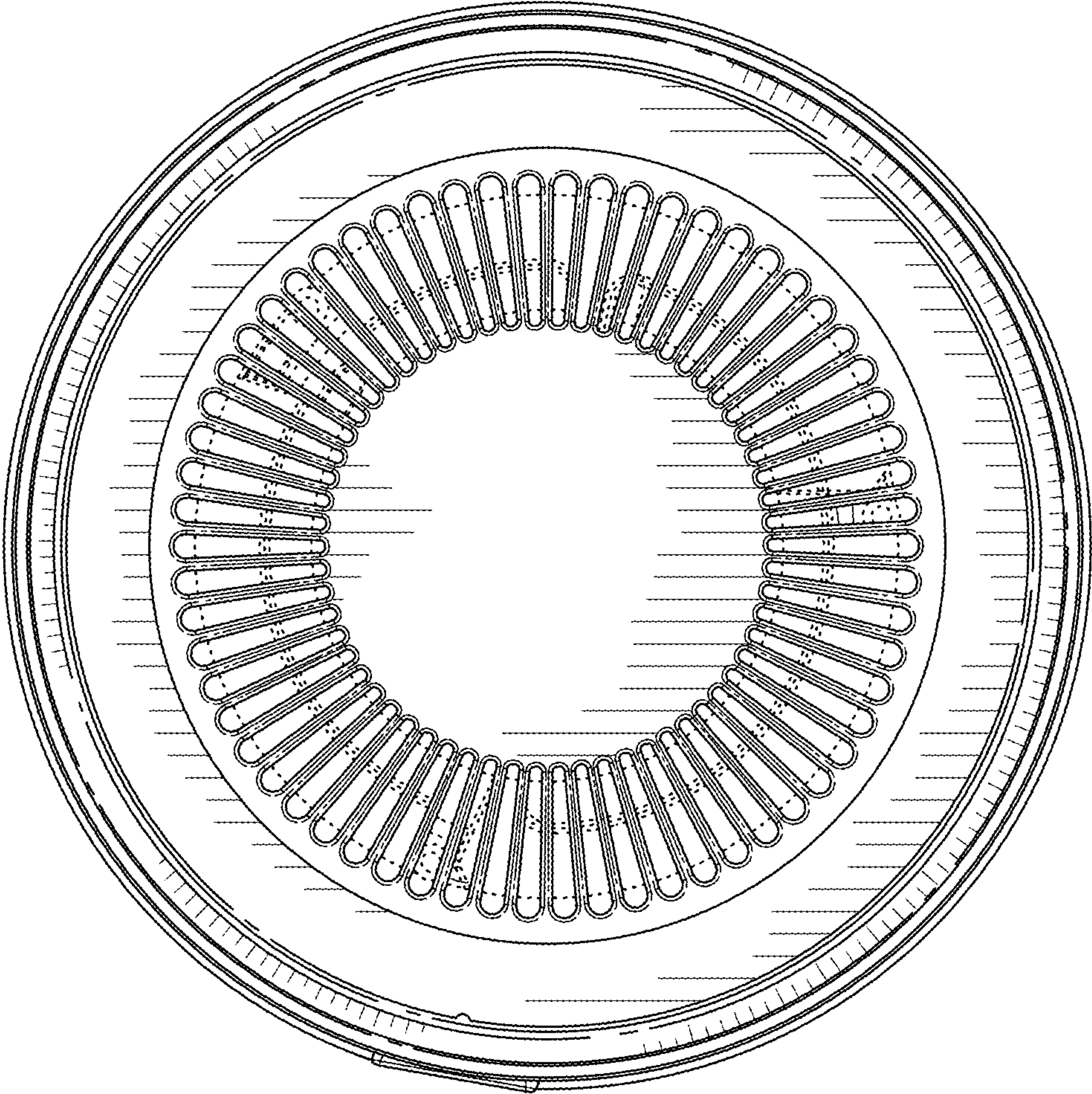


FIG. 6



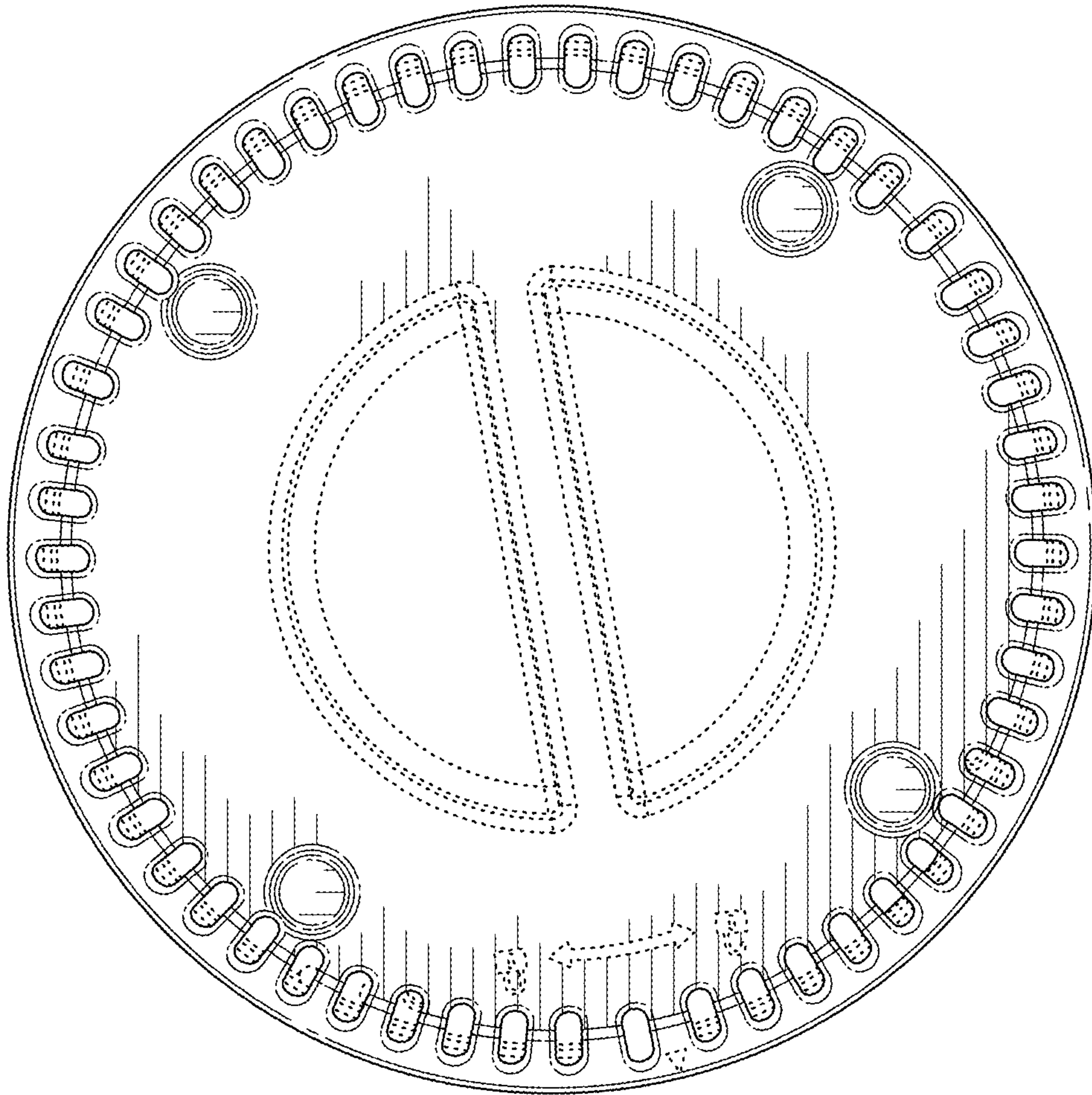


FIG. 7