



US00D886974S

(12) **United States Design Patent**
Miyawaki

(10) **Patent No.:** **US D886,974 S**

(45) **Date of Patent:** **** Jun. 9, 2020**

(54) **AIR HUMIDIFIER**

(71) Applicant: **IRIS OHYAMA INC.**, Sendai-shi,
Miyagi (JP)

(72) Inventor: **Masayuki Miyawaki**, Kakuda (JP)

(73) Assignee: **IRIS OHYAMA INC.**, Sendai-shi (JP)

(**) Term: **15 Years**

(21) Appl. No.: **29/666,772**

(22) Filed: **Oct. 16, 2018**

(30) **Foreign Application Priority Data**

Apr. 17, 2018 (JP) 2018-008417

(51) **LOC (12) Cl.** **23-04**

(52) **U.S. Cl.**
USPC **D23/356**

(58) **Field of Classification Search**
USPC D23/355-366, 352, 369, 332, 333, 335,
D23/336, 342, 351; 422/120, 122;
55/356, 473, 504; 96/97; 261/DIG. 17,
261/DIG. 65, DIG. 88, DIG. 31
CPC .. A61L 9/16; A61L 9/22; B01D 47/00; B01D
47/027; B01D 2221/02; B01D 2259/4508;
B03C 3/155; B03C 3/368; F24F 3/16;
F24F 13/20; F24F 13/28
See application file for complete search history.

(56) **References Cited**

U.S. PATENT DOCUMENTS

D481,112 S * 10/2003 Best D23/356
D621,020 S * 8/2010 Lehanneur D23/364

D683,439 S * 5/2013 Choi D23/364
D734,843 S * 7/2015 Yeom D23/359
D780,900 S * 3/2017 Dichraff D23/364
D788,279 S * 5/2017 Lee D23/359
D797,272 S * 9/2017 Poindexter D23/364
D797,914 S * 9/2017 Nygren D23/364
D801,503 S * 10/2017 Reed D23/356
D802,112 S * 11/2017 Jeon D23/364
D807,997 S * 1/2018 Seo D23/364
D810,907 S * 2/2018 Yoon D23/364
D844,766 S * 4/2019 Miao D23/364

* cited by examiner

Primary Examiner — David G Muller

(74) *Attorney, Agent, or Firm* — Studebaker & Brackett
PC

(57) **CLAIM**

The ornamental design for an air humidifier, as shown and described.

DESCRIPTION

FIG. 1 is a front, top and right-side perspective view of an air humidifier showing my new design;
FIG. 2 is a front view thereof;
FIG. 3 is a rear view thereof;
FIG. 4 is a top view thereof;
FIG. 5 is a bottom view thereof;
FIG. 6 is a right-side view thereof; and,
FIG. 7 is a left-side view thereof.
The broken lines shown represent unclaimed subject matter of the air humidifier and form no part of the claimed design.

1 Claim, 7 Drawing Sheets

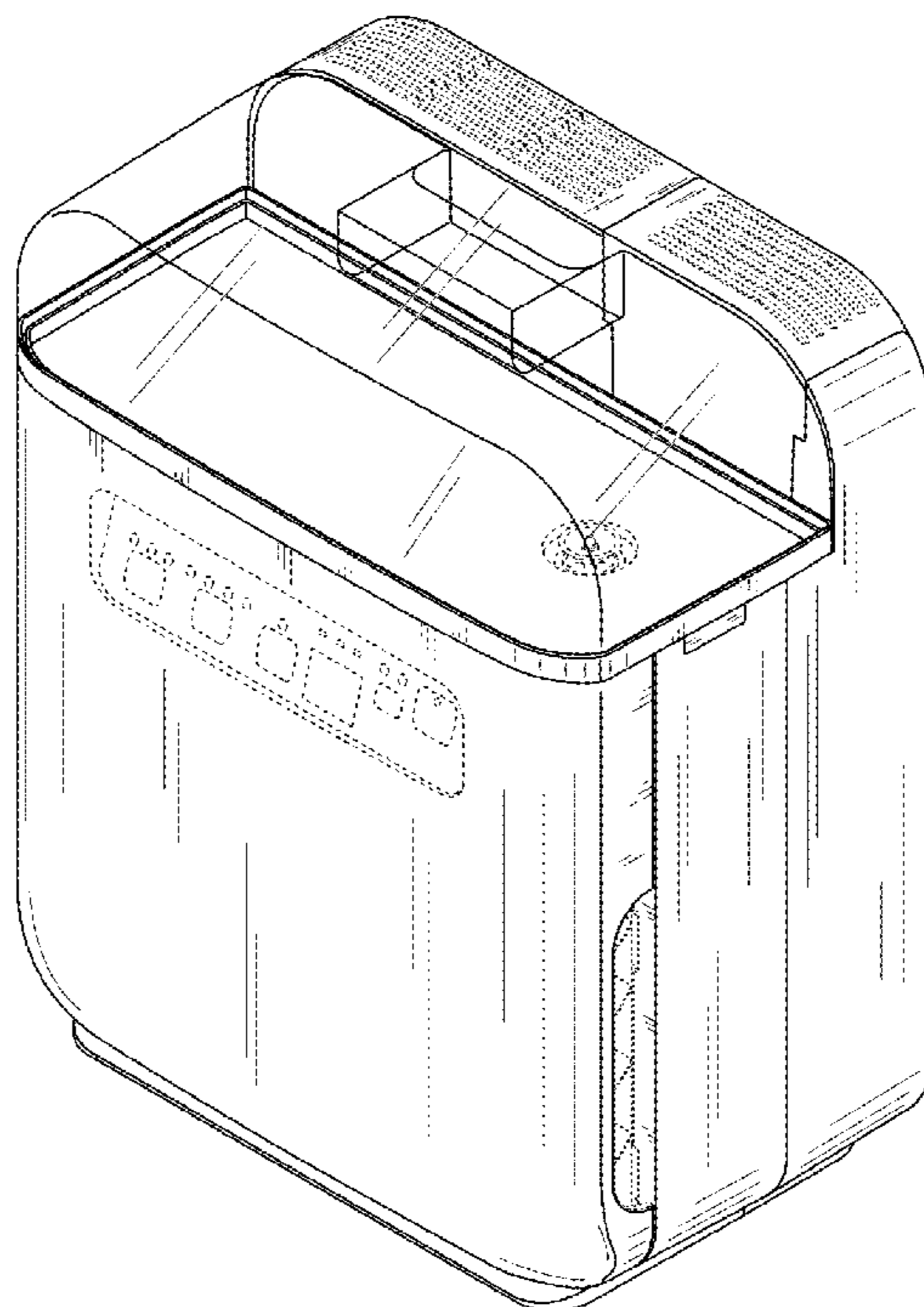


FIG.1

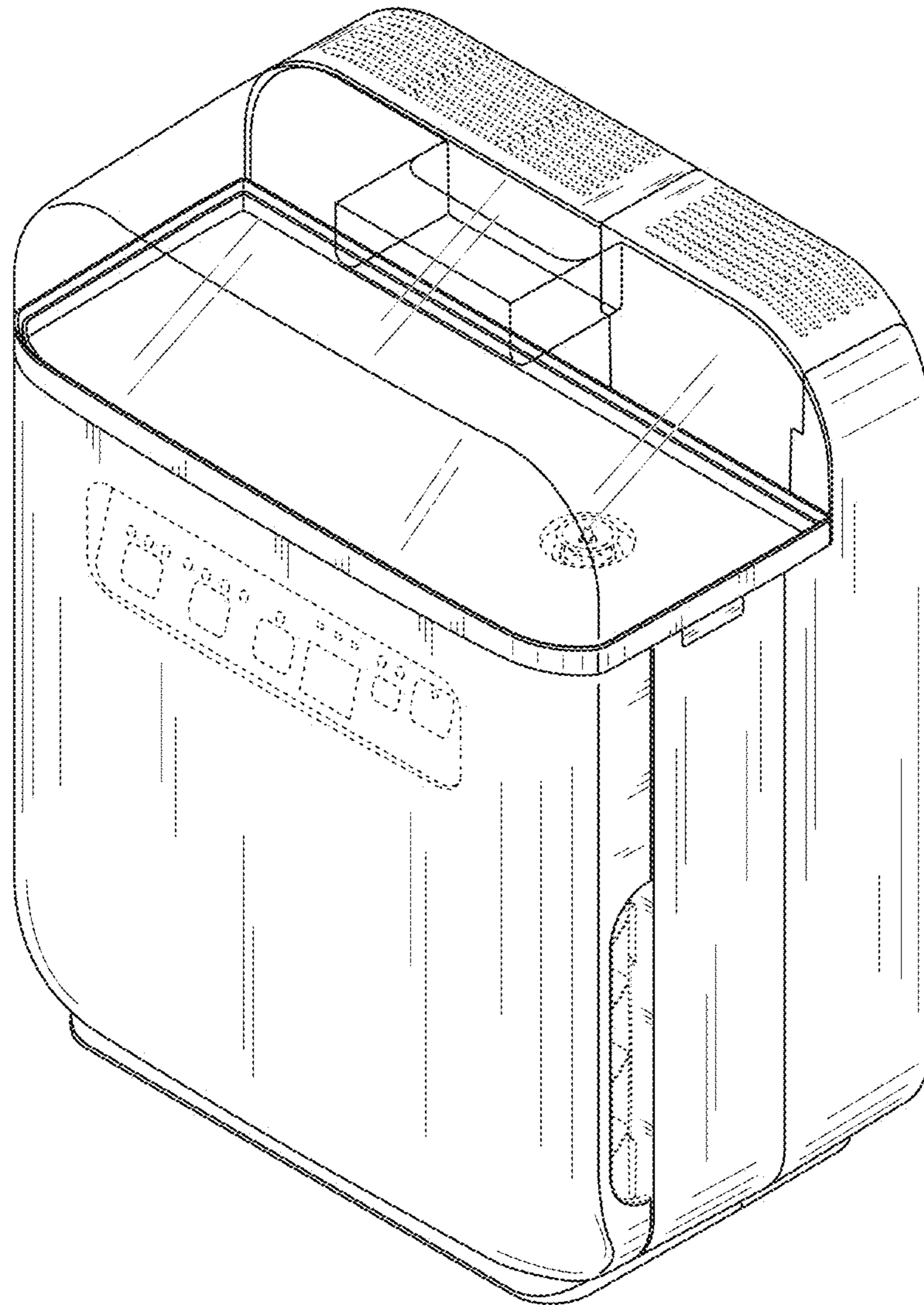


FIG.2

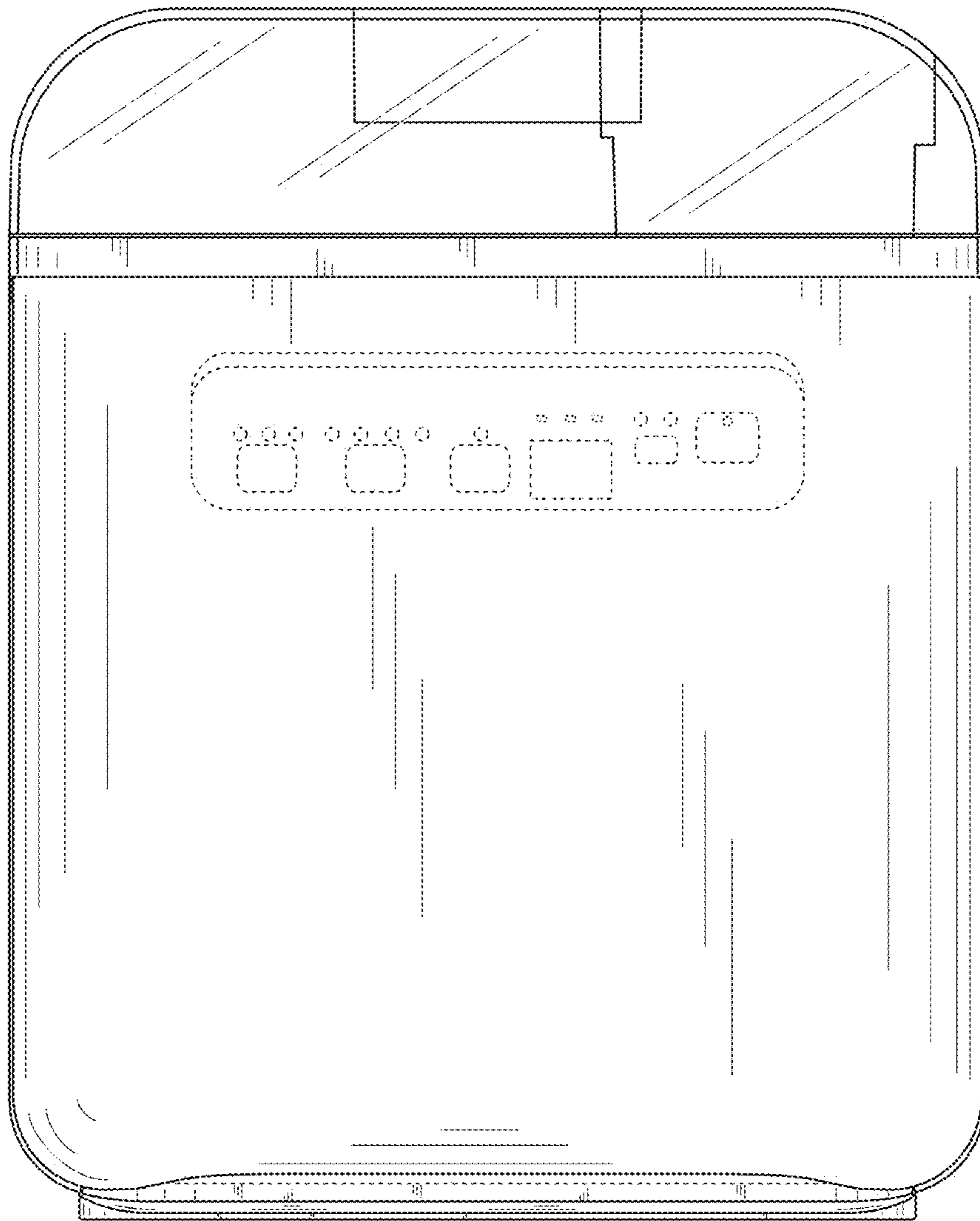


FIG. 3

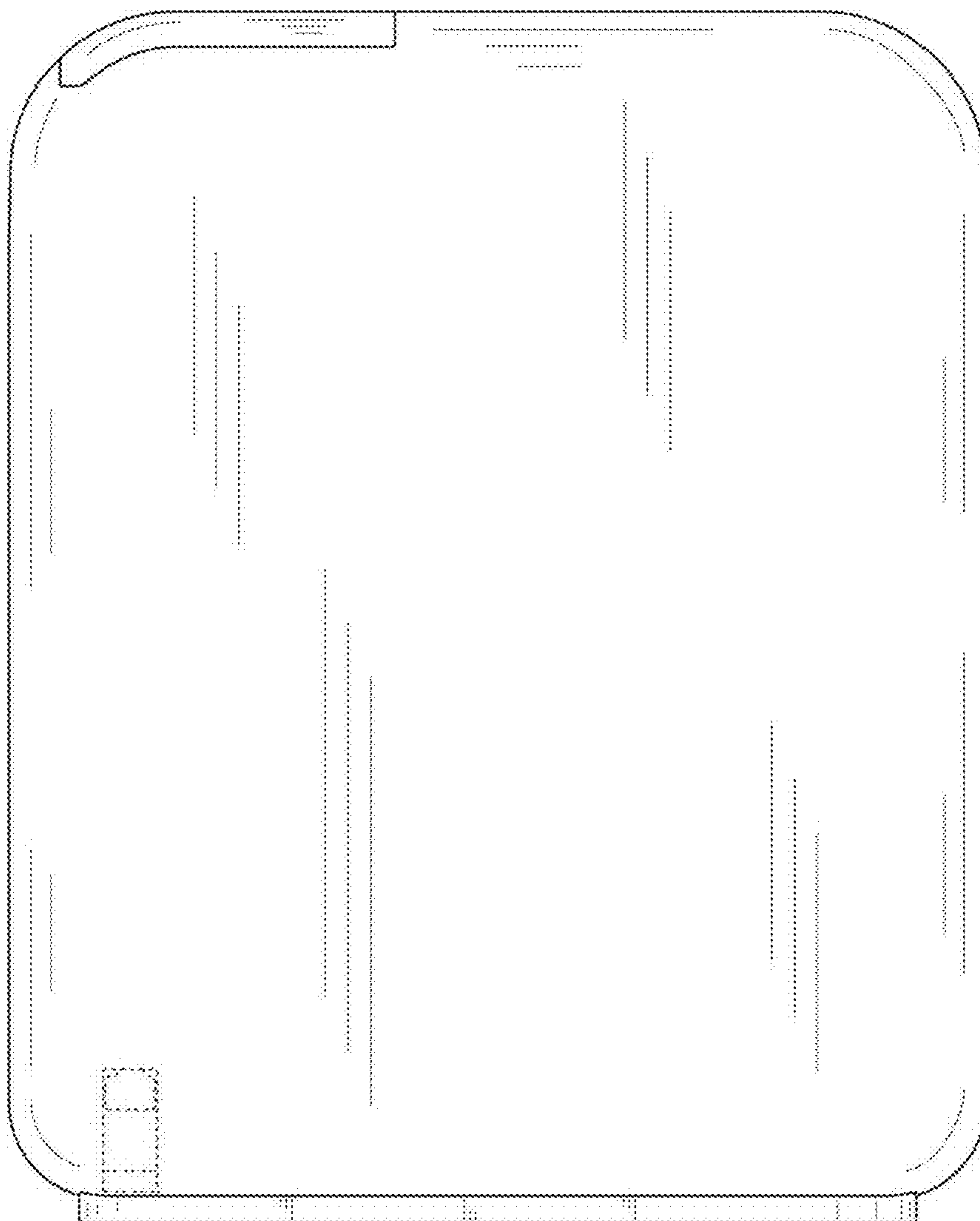


FIG.4

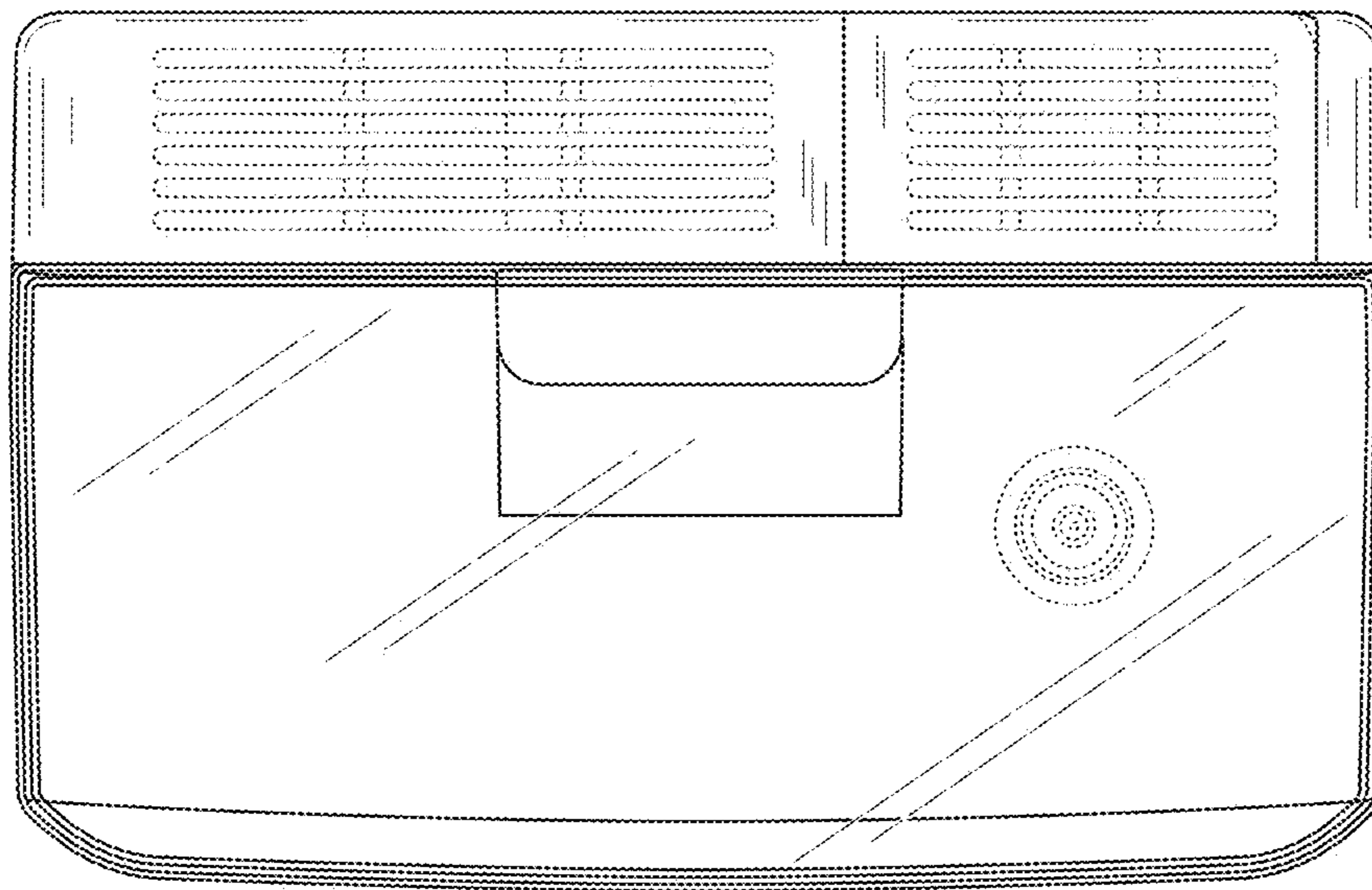


FIG.5

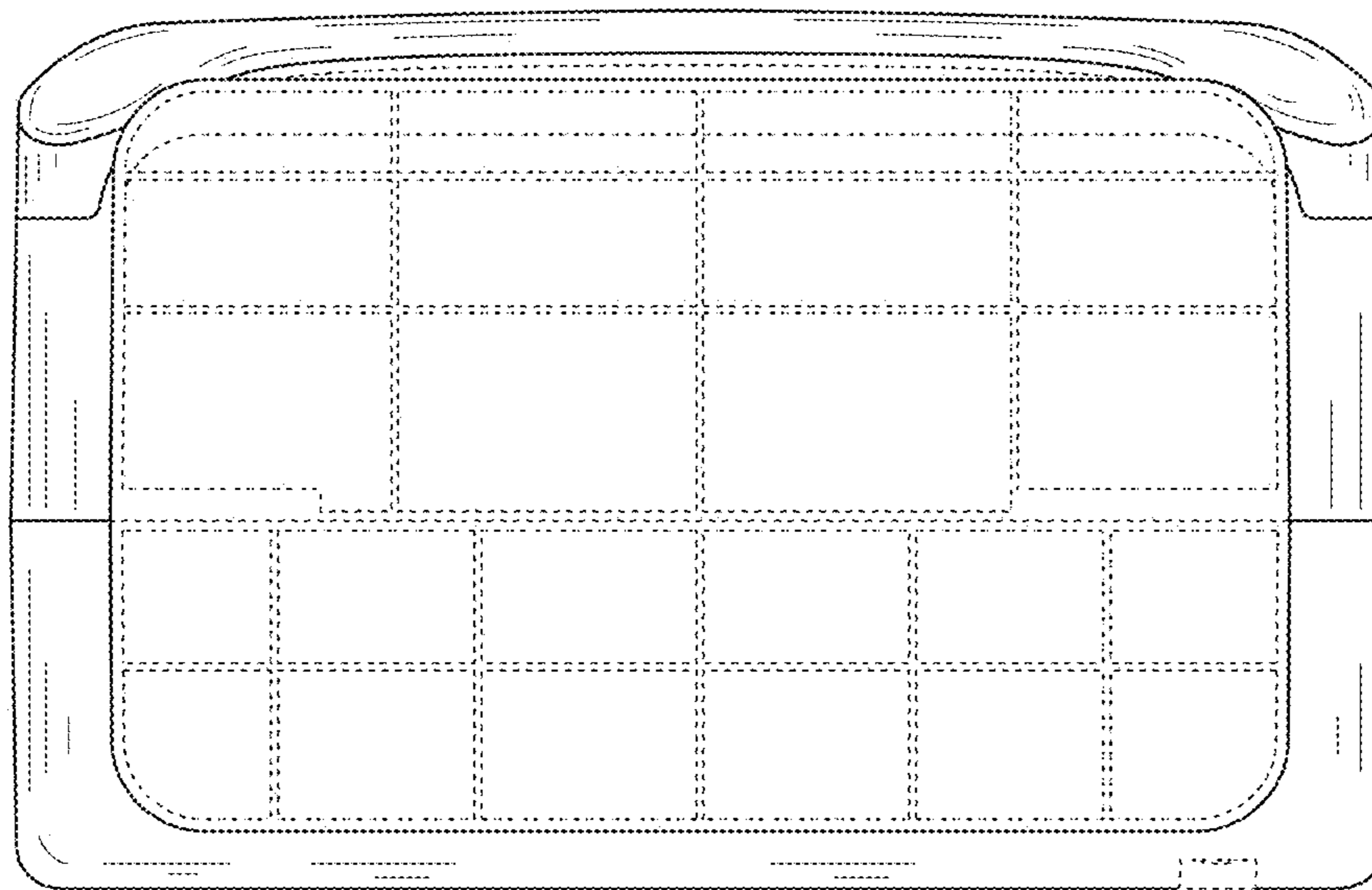


FIG.6

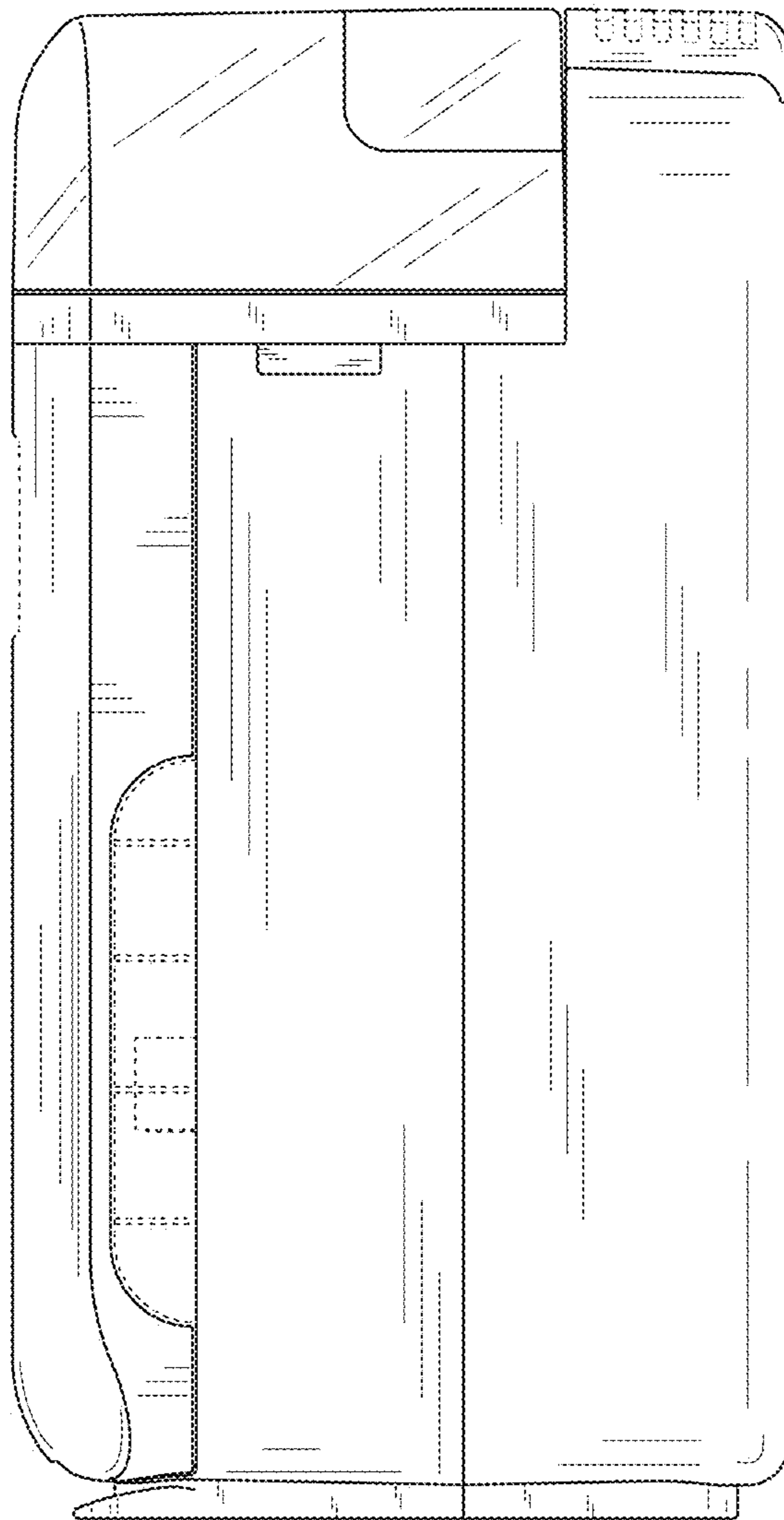


FIG. 7

