



US00D886973S

(12) **United States Design Patent**  
**Miyawaki**

(10) **Patent No.:** **US D886,973 S**

(45) **Date of Patent:** **\*\* Jun. 9, 2020**

(54) **AIR HUMIDIFIER**

(71) Applicant: **IRIS OHYAMA INC.**, Sendai-shi,  
Miyagi (JP)

(72) Inventor: **Masayuki Miyawaki**, Kakuda (JP)

(73) Assignee: **IRIS OHYAMA INC.**, Sendai-shi (JP)

(\*\*) Term: **15 Years**

(21) Appl. No.: **29/666,771**

(22) Filed: **Oct. 16, 2018**

(30) **Foreign Application Priority Data**

Apr. 17, 2018 (JP) ..... 2018-008416

(51) **LOC (12) Cl.** ..... **23-04**

(52) **U.S. Cl.**  
USPC ..... **D23/356**

(58) **Field of Classification Search**  
USPC ..... D24/355-366, 352, 369, 332, 333, 335,  
D24/336, 342, 351; 422/120, 122;  
55/356, 473, 504; 96/97; 261/DIG. 17,  
261/DIG. 65, DIG. 88, DIG. 31  
CPC .. A61L 9/16; A61L 9/22; B01D 47/00; B01D  
47/027; B01D 2221/02; B01D 2259/4508;  
B03C 3/155; B03C 3/368; F24F 3/16;  
F24F 13/20; F24F 13/28  
See application file for complete search history.

(56) **References Cited**

**U.S. PATENT DOCUMENTS**

D481,112 S \* 10/2003 Best ..... D23/356  
D621,020 S \* 8/2010 Lehanneur ..... D23/364

D683,439 S \* 5/2013 Choi ..... D23/364  
D734,843 S \* 7/2015 Yeom ..... D23/359  
D780,900 S \* 3/2017 Dichraff ..... D23/364  
D788,279 S \* 5/2017 Lee ..... D23/359  
D797,272 S \* 9/2017 Poindexter ..... D23/364  
D797,914 S \* 9/2017 Nygren ..... D23/364  
D801,503 S \* 10/2017 Reed ..... D23/356  
D802,112 S \* 11/2017 Jeon ..... D23/364  
D807,997 S \* 1/2018 Seo ..... D23/364  
D810,907 S \* 2/2018 Yoon ..... D23/364  
D844,766 S \* 4/2019 Miao ..... D23/364

\* cited by examiner

*Primary Examiner* — David G Muller

(74) *Attorney, Agent, or Firm* — Studebaker & Brackett  
PC

(57) **CLAIM**

The ornamental design for an air humidifier, as shown and described.

**DESCRIPTION**

FIG. 1 is a front, top and right-side perspective view of an air humidifier showing my new design;  
FIG. 2 is a front view thereof;  
FIG. 3 is a rear view thereof;  
FIG. 4 is a top view thereof;  
FIG. 5 is a bottom view thereof;  
FIG. 6 is a right-side view thereof; and,  
FIG. 7 is a left-side view thereof.  
The broken lines shown represent unclaimed subject matter of the air humidifier and form no part of the claimed design.

**1 Claim, 7 Drawing Sheets**

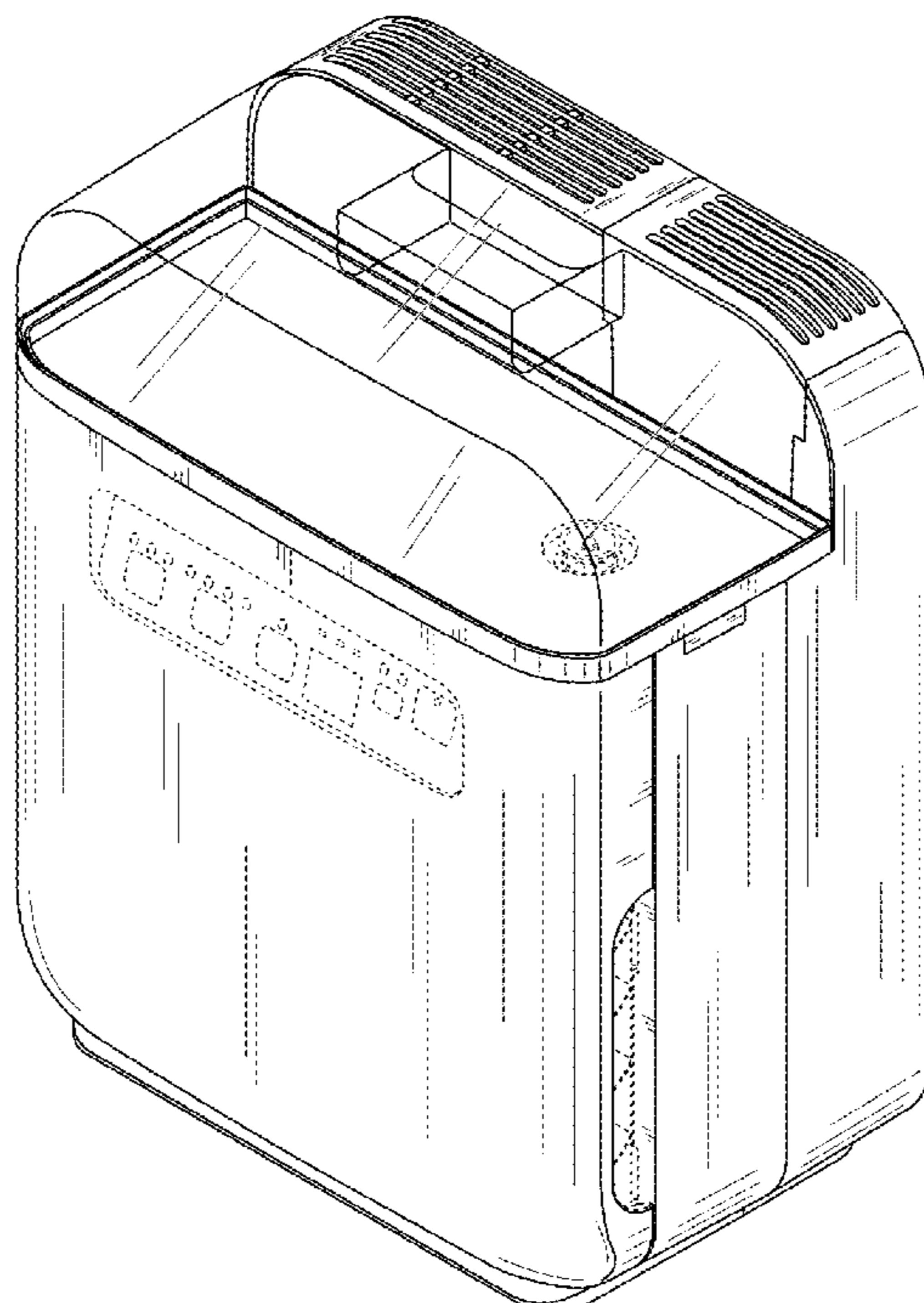


FIG. 1

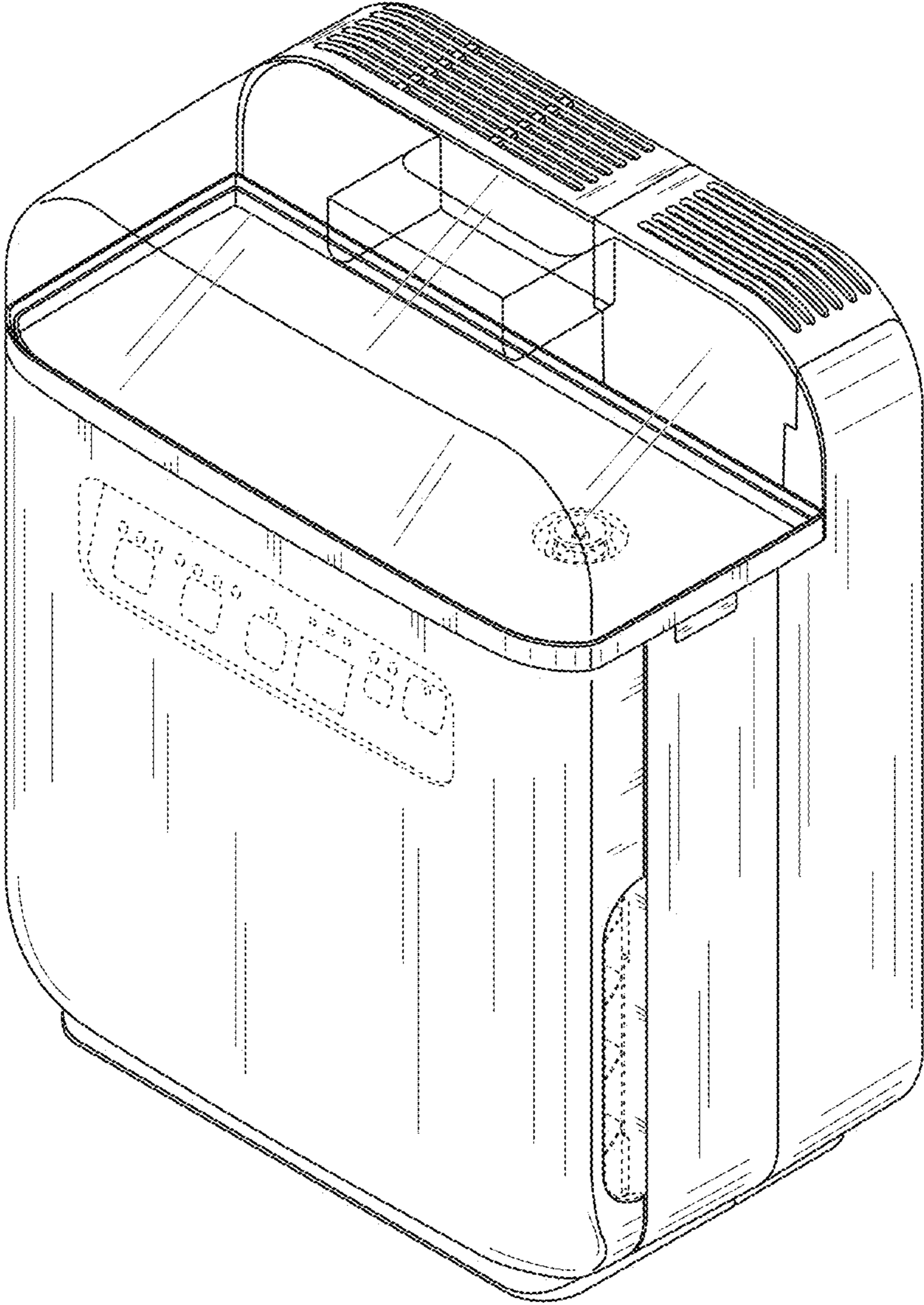


FIG.2

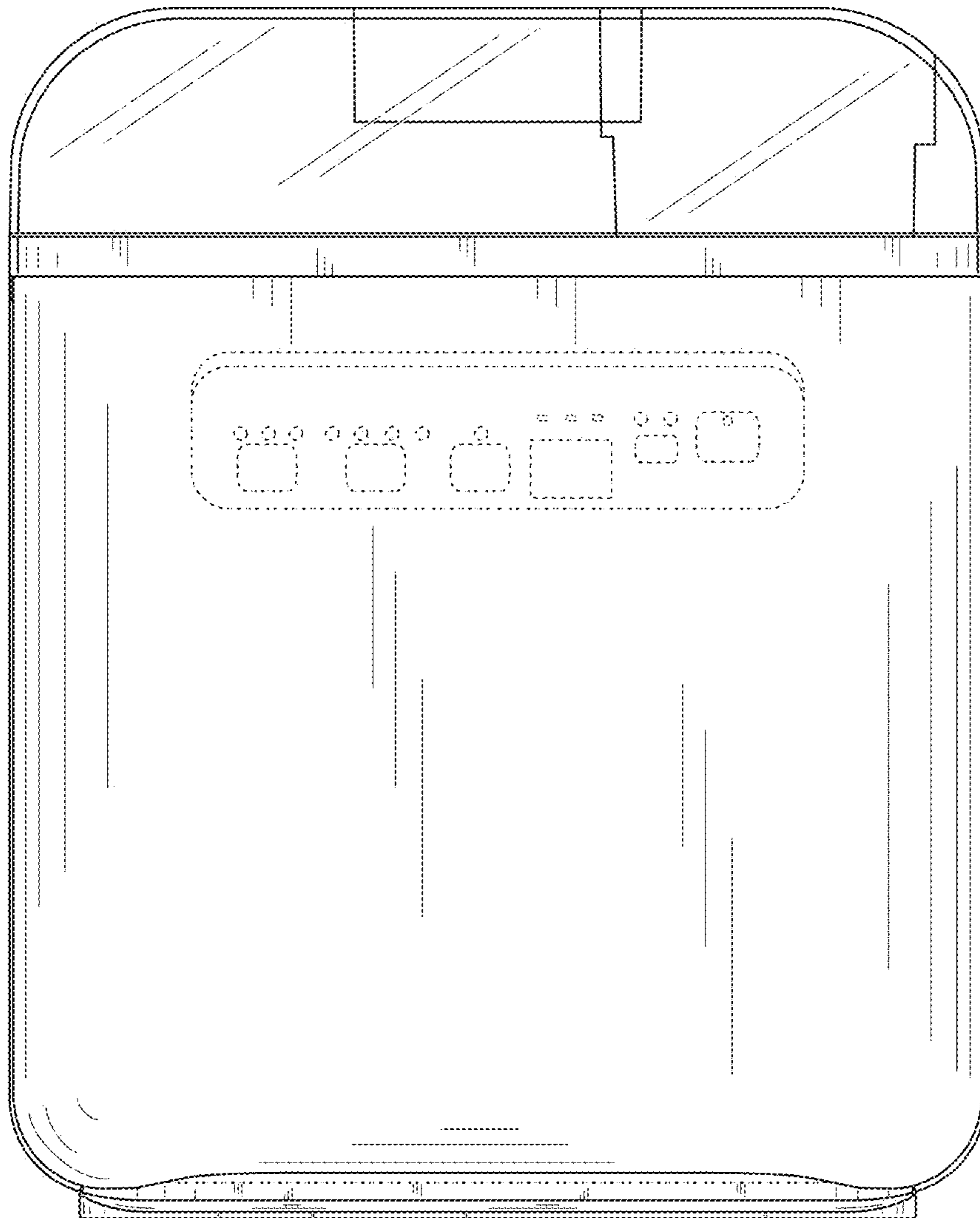


FIG. 3

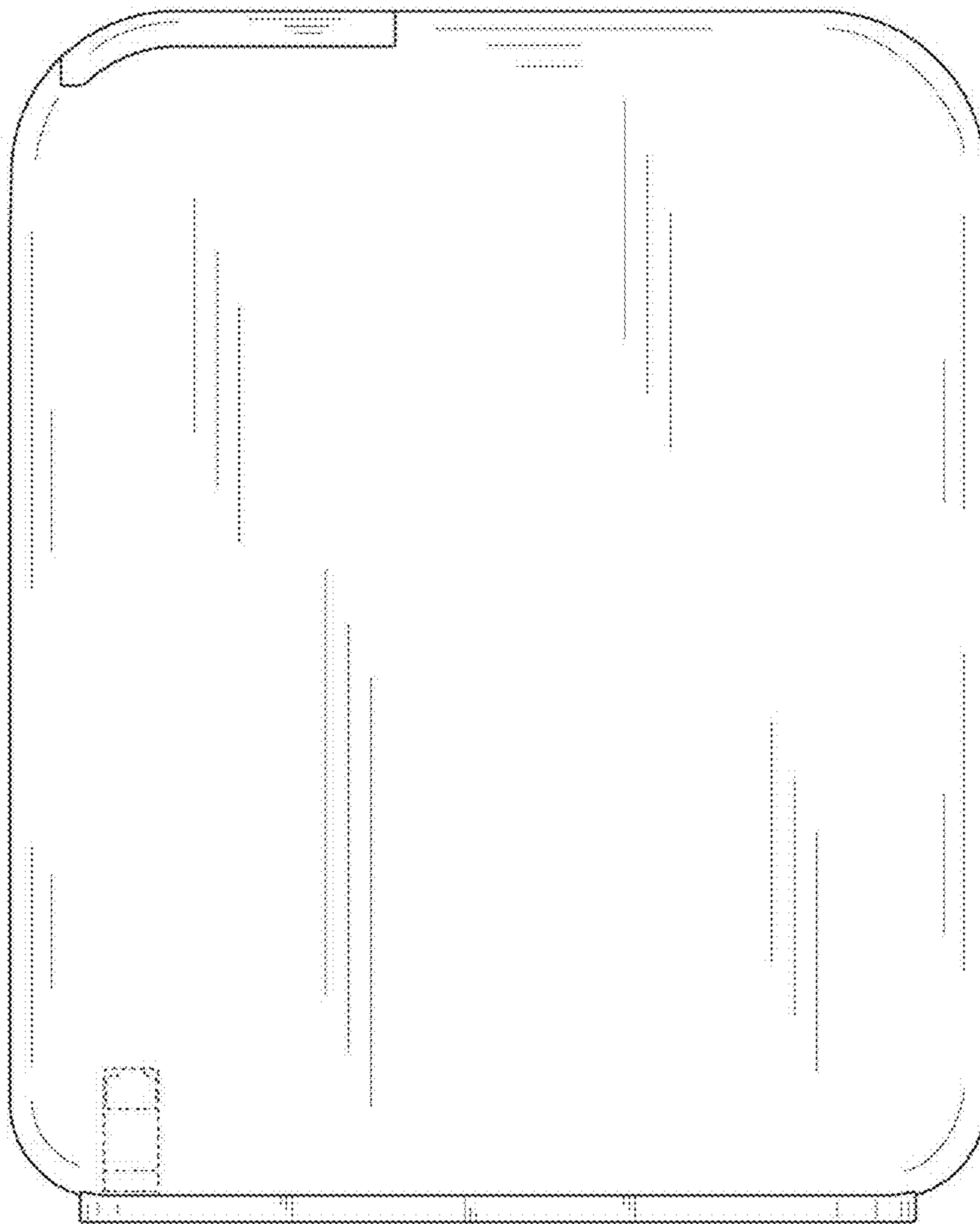


FIG.4

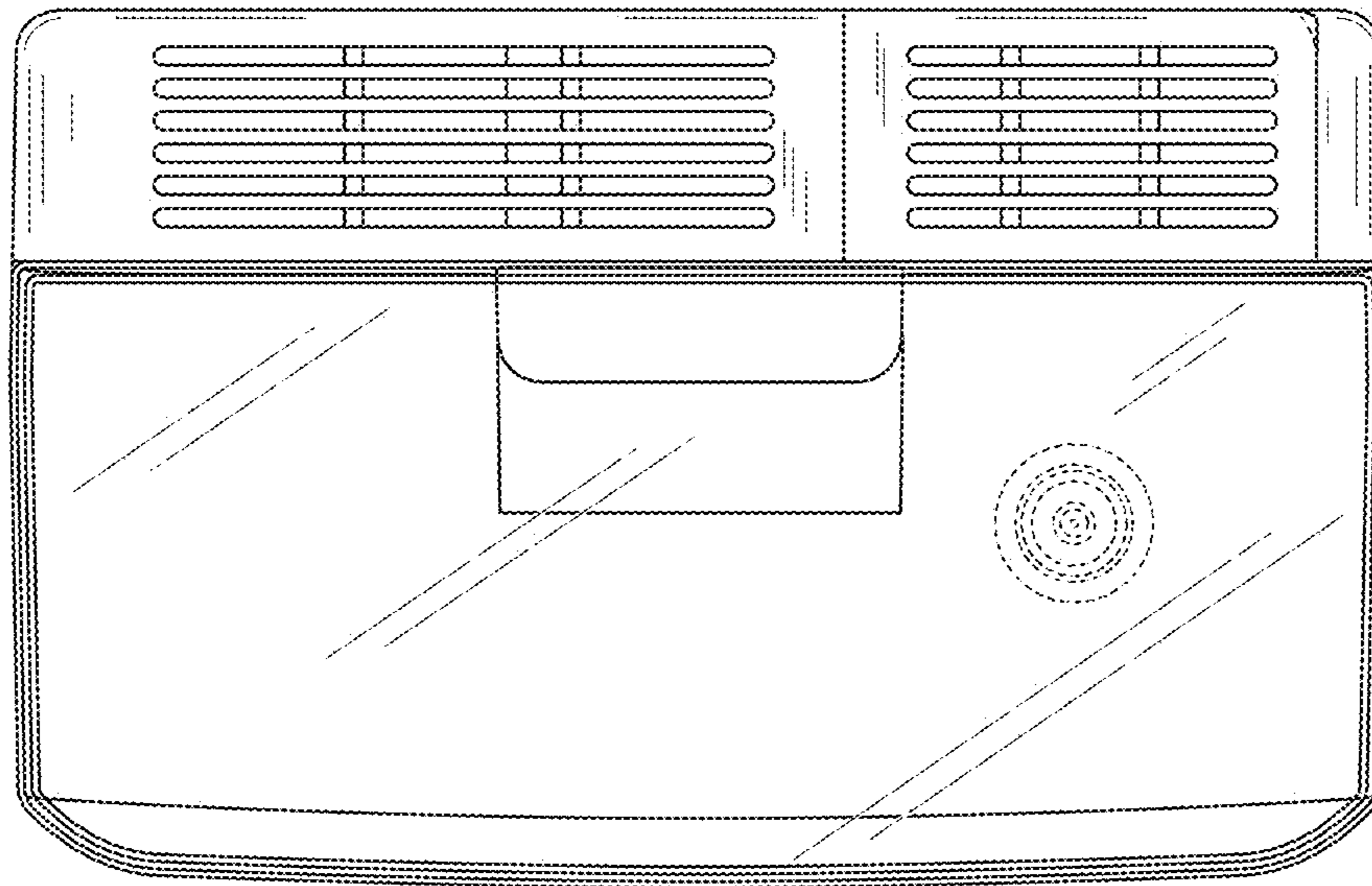


FIG.5

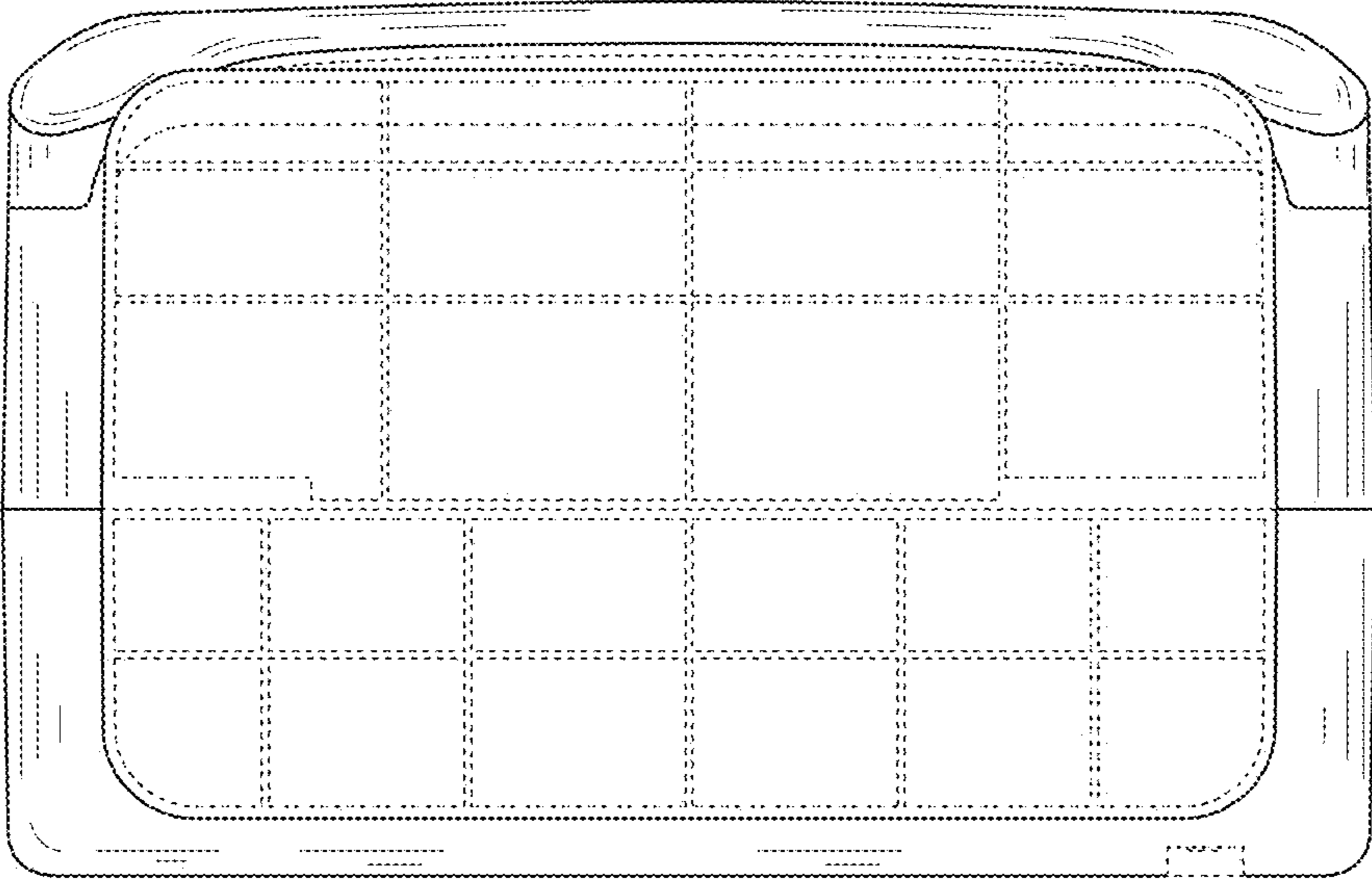


FIG.6

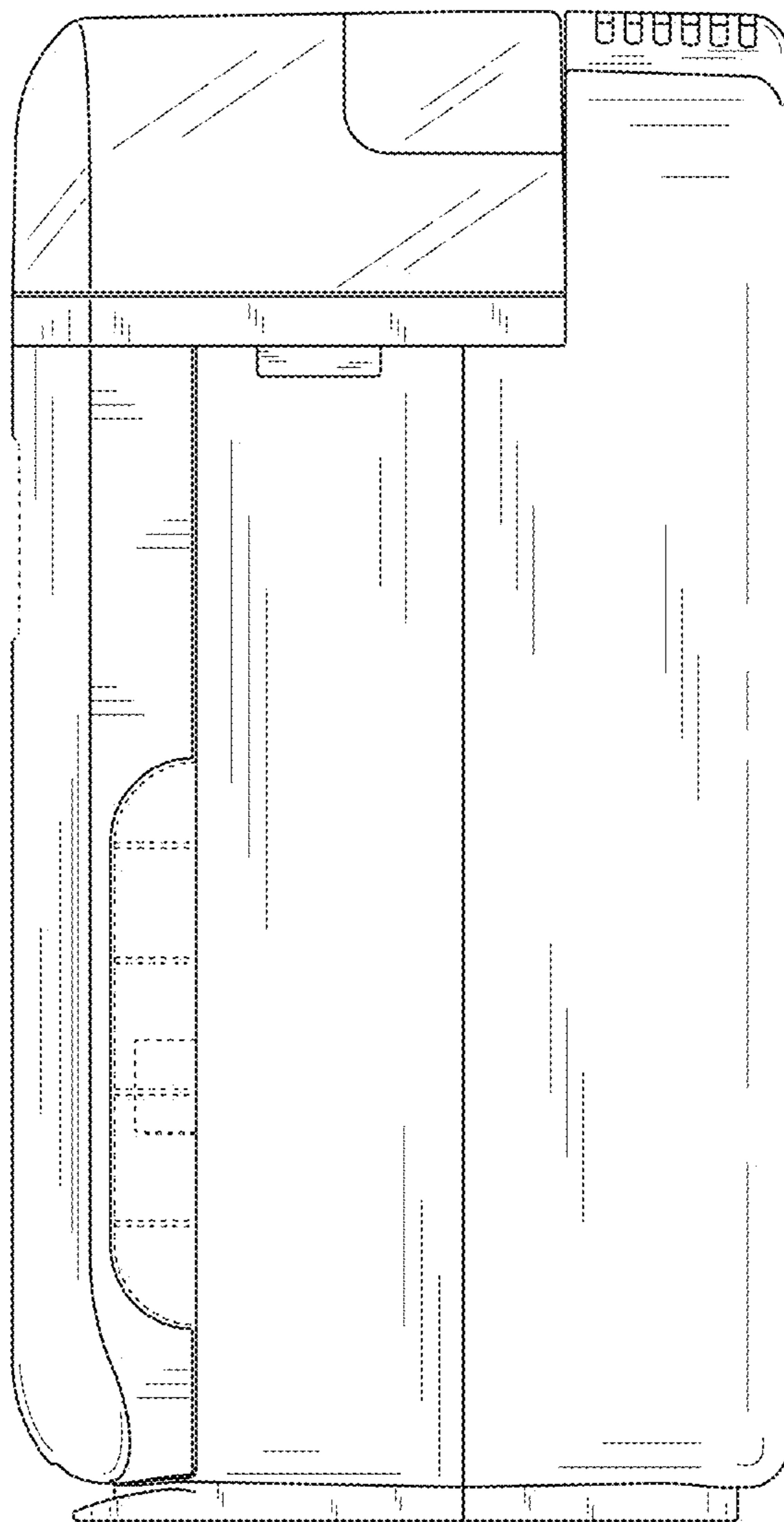


FIG. 7

