



US00D886970S

(12) **United States Design Patent**
Wolf

(10) **Patent No.:** **US D886,970 S**
(45) **Date of Patent:** **** Jun. 9, 2020**

- (54) **PORTABLE FIRE PIT**
- (71) Applicant: **Mark Andrew Wolf**, Surprise, AZ (US)
- (72) Inventor: **Mark Andrew Wolf**, Surprise, AZ (US)
- (73) Assignee: **Fireside Industries, Inc.**, Surprise, AZ (US)
- (**) Term: **15 Years**
- (21) Appl. No.: **29/705,464**
- (22) Filed: **Sep. 12, 2019**

585,001 A 6/1897 MacDonald
 1,295,194 A 2/1919 Parelius
 1,540,434 A 6/1925 Stone
 D91,639 S 2/1934 Stulik
 2,003,974 A 6/1935 Pearson
 (Continued)

FOREIGN PATENT DOCUMENTS

CN 201567838 9/2010
 CN 102872559 A 1/2013
 (Continued)

OTHER PUBLICATIONS

Erfpunt; firewatch; erfpunt.be; downloaded on Aug. 29, 2017 from <http://www.erfpunt.be/np/page.pphp?id=487&title=vuulok>.
 (Continued)

Primary Examiner — Ania Aman
 (74) *Attorney, Agent, or Firm* — Knobbe Martens Olson & Bear, LLP

- Related U.S. Application Data**
- (63) Continuation of application No. 29/645,847, filed on Apr. 30, 2018, now Pat. No. Des. 861,144, which is a continuation of application No. 15/928,424, filed on Mar. 22, 2018, now Pat. No. 10,151,490.
 - (51) **LOC (12) Cl.** **23-03**
 - (52) **U.S. Cl.**
USPC **D23/332**
 - (58) **Field of Classification Search**
USPC D23/332, 314, 343, 348, 350, 346, 335, D23/341, 342, 345, 347; D7/332-337, D7/402-405, 352; D6/368; D8/354, 349, D8/355, 356, 380, 499
CPC F24C 1/16; F24C 5/00; A47J 33/00; A47J 37/0763; A47J 37/07; F24B 1/18; F24B 1/182; F24B 1/1808; F24B 1/181; F24B 1/195; F24B 1/191; F24B 3/00; A47C 4/286; A47B 3/02; A47B 3/002
See application file for complete search history.

(57) **CLAIM**

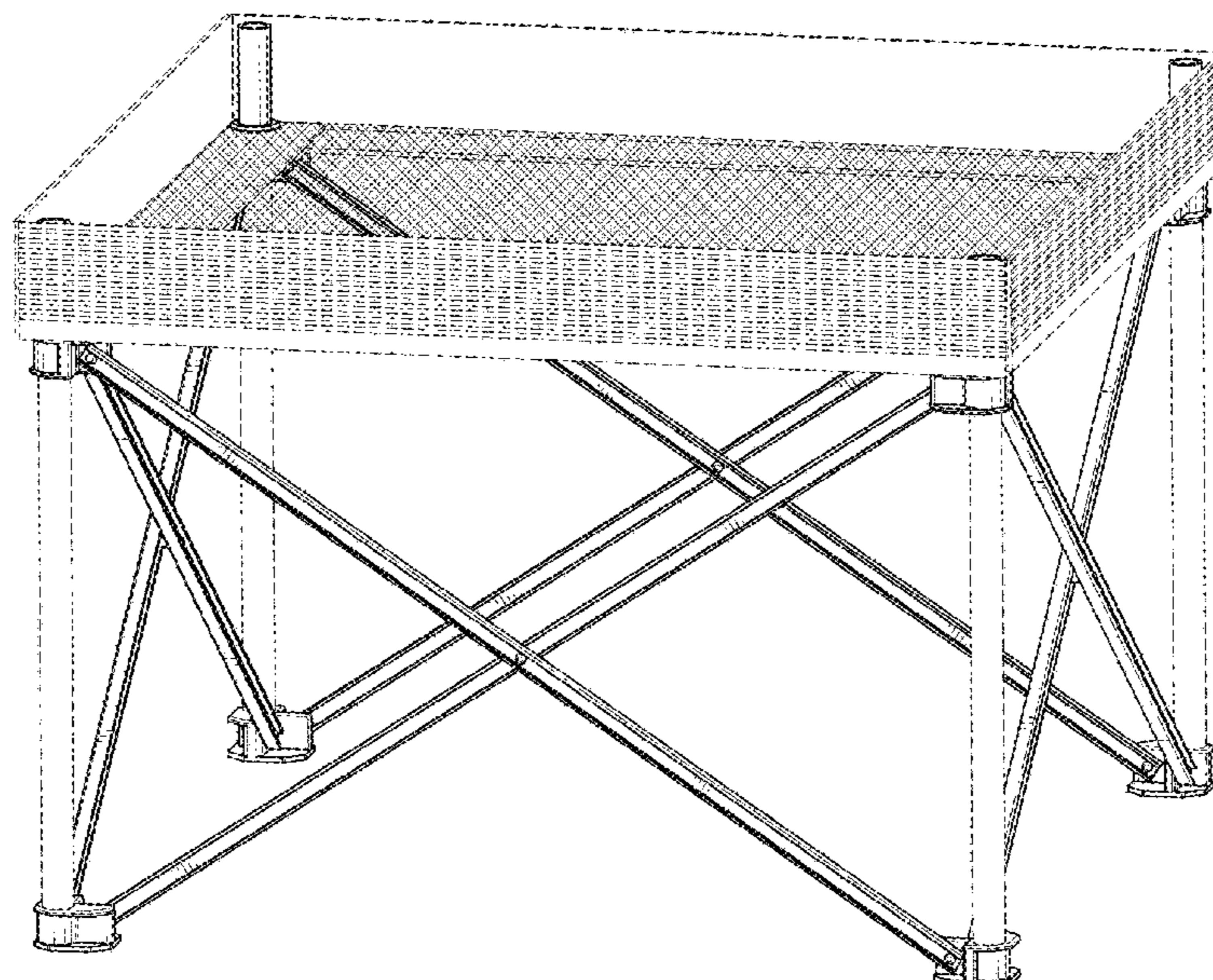
The ornamental design for a portable fire pit, as shown and described.

DESCRIPTION

FIG. 1 is a front perspective view of a portable fire pit showing my new design;
 FIG. 2 is a front view of the portable fire pit of FIG. 1, the left, right, and rear views being identical images thereof;
 FIG. 3 is a top view of the portable fire pit of FIG. 1; and,
 FIG. 4 is a bottom view of the portable fire pit of FIG. 1.
 The broken lines in the figures include portions of the four vertically extending members and portions of the side and bottom edges of the panel members of the portable fire pit and form no part of the presently claimed design.

- (56) **References Cited**
U.S. PATENT DOCUMENTS
73,922 A 1/1868 Philbrick
244,215 A 7/1881 Fenby

1 Claim, 4 Drawing Sheets



(56)

References Cited

U.S. PATENT DOCUMENTS

2,053,577 A 9/1936 Pearson
 2,486,708 A 11/1949 William
 2,590,903 A 4/1952 Stretz
 2,720,269 A 10/1955 Diacos
 D179,649 S 2/1957 Maddox
 2,928,385 A 3/1960 Peplin
 2,933,378 A 4/1960 Mustin et al.
 3,028,228 A 4/1962 Chaplin
 3,105,483 A 10/1963 Bryan
 3,136,272 A 6/1964 Sprigman
 3,249,101 A 5/1966 Weissman et al.
 3,279,900 A 10/1966 Naples
 3,490,433 A 1/1970 Busenbarrick
 3,491,743 A 1/1970 Temp
 3,606,066 A 9/1971 Anderson
 3,635,520 A 1/1972 Roher et al.
 3,782,475 A 1/1974 Schmidt
 3,841,298 A 10/1974 Sellors
 4,434,784 A 3/1984 Van Patten
 4,478,601 A 10/1984 Stephens
 4,508,094 A 4/1985 Hait
 4,635,612 A 1/1987 Kakubari et al.
 4,658,906 A 4/1987 Hanten
 4,719,935 A 1/1988 Gustafson
 4,751,911 A 6/1988 Betts et al.
 4,759,276 A 7/1988 Segroves
 4,829,975 A 5/1989 Hait
 4,832,703 A 5/1989 Campana et al.
 5,105,725 A 4/1992 Haglund
 5,163,414 A 11/1992 Haynes, Jr.
 5,253,634 A 10/1993 LeBouf
 5,766,275 A 6/1998 Chandaria
 5,809,989 A 9/1998 Nelson
 D404,962 S 2/1999 Matthews
 5,984,406 A 11/1999 Lee
 D422,430 S 4/2000 Wilton
 6,074,446 A 6/2000 Fujino
 6,101,931 A 8/2000 Miklos
 6,131,560 A 10/2000 Healy
 6,158,361 A 12/2000 Zheng et al.
 6,173,644 B1 1/2001 Krall
 6,254,265 B1 7/2001 MacDonald
 6,349,713 B1 2/2002 Toyama
 6,454,348 B1* 9/2002 Wu A47C 4/286
 297/16.2
 6,467,474 B2 10/2002 Hermansen et al.
 6,499,705 B1 12/2002 Tsai
 6,505,565 B1 1/2003 Byung et al.
 6,918,387 B2 7/2005 Klarich et al.
 6,962,148 B1 11/2005 Ashbaugh
 6,997,111 B2 2/2006 Geigerich
 7,131,364 B2 11/2006 Brazell
 D569,638 S 5/2008 Ballard et al.
 7,445,004 B1 11/2008 Milner et al.
 7,644,711 B2 1/2010 Creel
 7,681,267 B1 3/2010 Hall
 D618,482 S 6/2010 Gaze et al.
 7,856,924 B1* 12/2010 Stihi A47J 37/0704
 126/25 A
 8,216,322 B2 7/2012 Schweickhardt
 8,327,834 B1 12/2012 Judge
 8,584,580 B2 11/2013 Barrett
 10,104,971 B1* 10/2018 Yang A47C 7/462
 10,111,536 B2 10/2018 Bezuidenhout et al.
 10,151,490 B1 12/2018 Wolf
 D844,359 S 4/2019 Hofer et al.
 10,344,966 B2 7/2019 Wolf
 2003/0029443 A1 2/2003 Davis et al.
 2003/0127885 A1* 7/2003 Tang A47C 4/286
 297/16.2
 2003/0140577 A1 7/2003 Cote
 2003/0145845 A1 8/2003 Brocking
 2004/0051009 A1 3/2004 Chen
 2004/0066075 A1* 4/2004 Yeh A47C 4/286
 297/354.1

2004/0104189 A1 6/2004 Yu
 2004/0262018 A1 12/2004 Roussin
 2006/0076003 A1 4/2006 Smolinsky et al.
 2006/0102169 A1 5/2006 Smolinsky
 2006/0225725 A1 10/2006 Rinaldo
 2009/0194297 A1 8/2009 Teruel
 2009/0315366 A1* 12/2009 Chen A47C 4/286
 297/16.1
 2011/0162634 A1 7/2011 Richard
 2011/0192392 A1 8/2011 Chen et al.
 2011/0209738 A1 9/2011 McCarty
 2012/0125323 A1 5/2012 Goeken
 2012/0152962 A1 6/2012 Arbuckle
 2012/0318255 A1 12/2012 Brown
 2013/0298895 A1 11/2013 Robb
 2014/0069411 A1 3/2014 Huang
 2014/0109896 A1 4/2014 Codner
 2015/0004297 A1 1/2015 Pothetes
 2016/0029566 A1 2/2016 Gaudet
 2016/0033160 A1 2/2016 Gaudet et al.
 2016/0338535 A1 11/2016 Witsch
 2017/0081607 A1 3/2017 Schunk
 2017/0276371 A1 9/2017 Wolf
 2019/0226682 A1 7/2019 Wolf

FOREIGN PATENT DOCUMENTS

DE 20 2015 105 251 U1 11/2015
 EP 2933564 12/2016
 FR 2 820 624 A1 8/2002
 JP 31195848 U 3/2006

OTHER PUBLICATIONS

Fire Blanket Demonstration, "Fire Away Fire Blanker", Jan. 20, 2011, Youtube.com.
 The Historic Foodie; Couere-feu, The Practice of Preserving Fire; Nov. 2, 2011; thehistoricfoodie.wordpress.com; https://thehistoricfoodie.wordpress.com/2011/11/02/couere-fue-the-practice-of-preserving-fire%C2%A9/.
 International Search Report and Written Opinion in co-pending Application No. PCT/US2019/013112, dated Mar. 12, 2019, in 11 pages.
 Laplander1, Frisport Andersnatten Extreme 6-8 Person Lavvu, Laplander's Natural Lore Blog, available at: https://naturallore.wordpress.com/2011/08/31/frisport-andersnatten-extreme-6-8-person-lavvu/, dated Aug. 31, 2011.
 Memory of the Netherlands; Fire bell; gehugenvannederland.nl; downloaded on Aug. 29, 2017 from http://www.gehugenvannederland.nl/nl/geheugen/view?coll=ngvn&identifier=ZZM01%3A011323.
 objectlessons.com, Curfew, Fire Cover, Medieval, Replica webpage, downloaded on Jun. 13, 2017 from https://www.objectlessons.org/houses-and-homes-medieval/curfew-fire-cover-medieval-replica/s61/a245/.
 podpads.com, Bell Tent, downloaded on Feb. 24, 2016 http://podpads.com/bell-tent.
 Portable Outdoor Fire Pit : Collapsing Steel Mesh FirePlace—Perfect for Camping, Backyard and Garden—Carrying Bag Included; downloaded on Jan. 2, 2018 from https://www.amazon.com/Portable-Outdoor-Fire-Pit-Collapsing/dp/B01NBU7XLH/ref=sr_; in 4 pages.
 Venetian Cat Studio; Medieval, Todor, Renaissance, Colonial; Feb. 28, 2016; venetiancat.com; http://venetiancat.com/CookwareAncientP2.html.
 weber.com, Original Kettle Series, downloaded on Jun. 13, 2017 from https://www.weber.com/US/en/grills/original-kettle-charcoal-grill.
 Welding-Blankets.com; downloaded on Dec. 1, 2009 from http://www.welding-blankets.com.
 Werkgroep Archeologie Hulst; Veiligheid in huis; archeologiehulst.nl; downloaded on Aug. 29, 2017 from http://www.archeologiehulst.nl/pagina33.html.

* cited by examiner

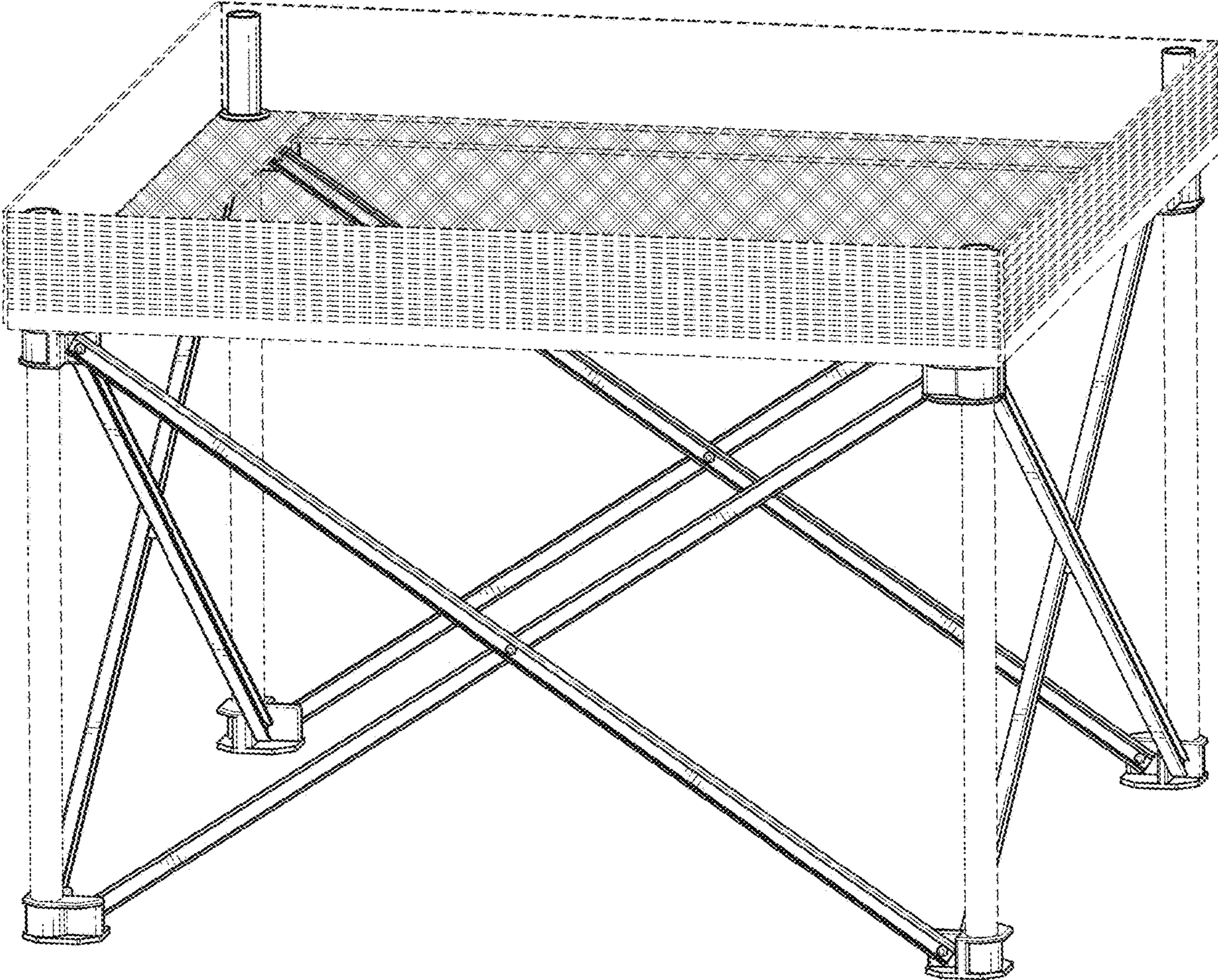


FIG. 1

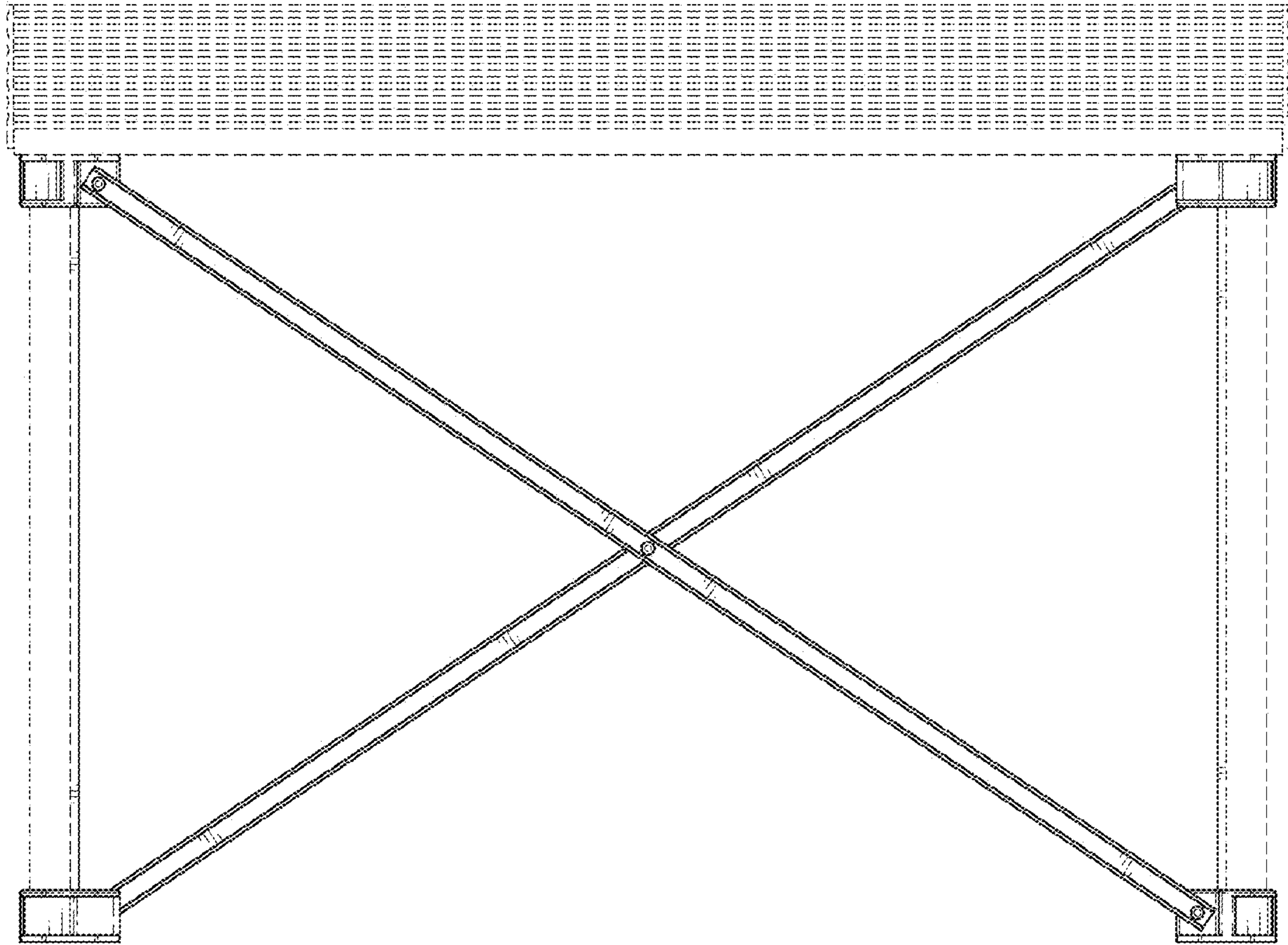


FIG. 2

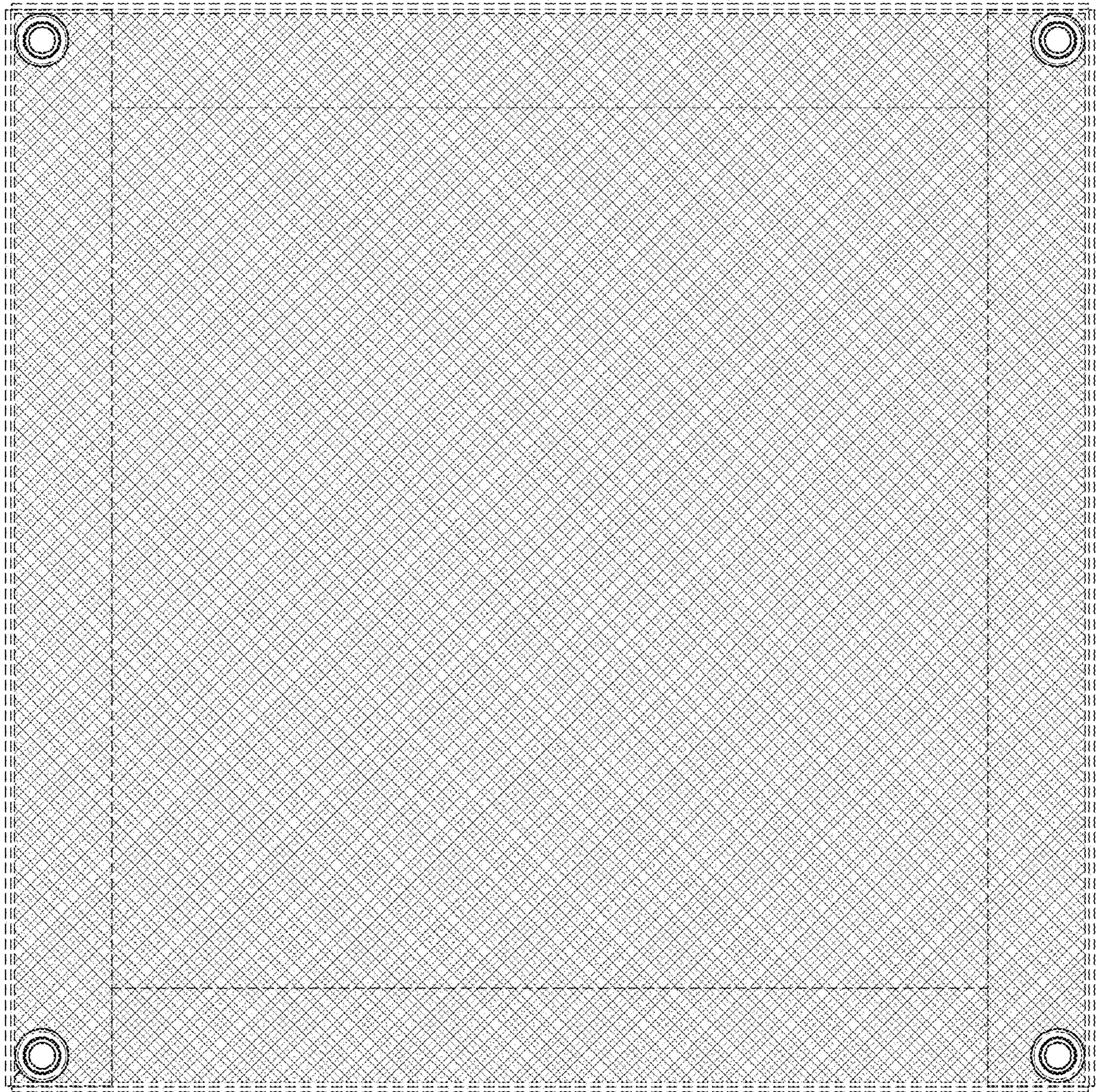


FIG. 3

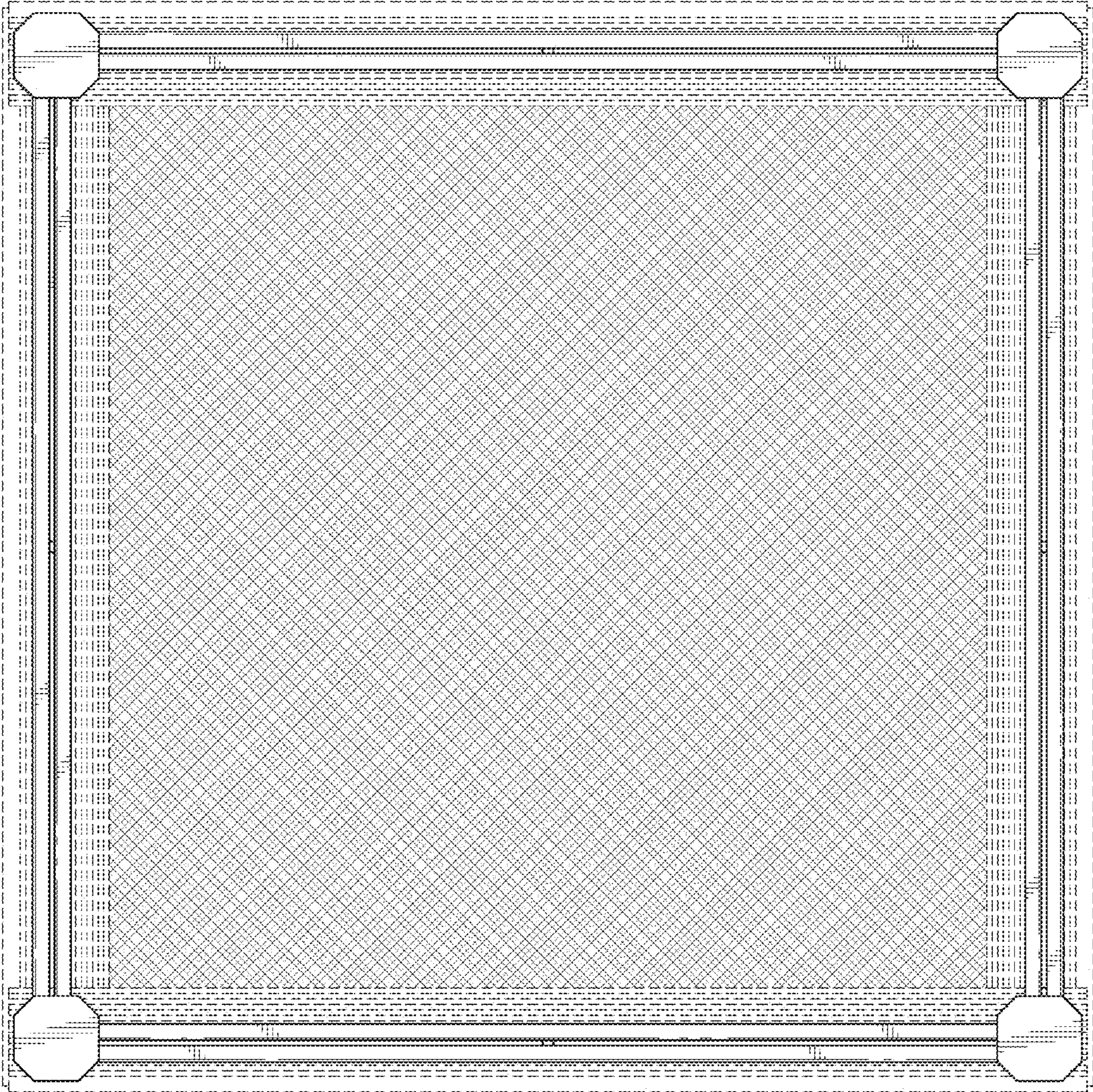


FIG. 4