



US00D886969S

(12) **United States Design Patent** (10) **Patent No.:** **US D886,969 S**  
**Tsai** (45) **Date of Patent:** **\*\* Jun. 9, 2020**

(54) **FAN HEATER**

(56) **References Cited**

(71) Applicant: **KE M.O. HOUSE CO., LTD.**,  
Shenzhen (CN)

U.S. PATENT DOCUMENTS

(72) Inventor: **Mo-Tsan Tsai**, Shenzhen (CN)

D427,298 S \* 6/2000 Maust ..... D23/343  
D654,995 S \* 2/2012 Asofsky ..... D23/332  
D815,334 S \* 4/2018 Hu ..... D26/94  
10,274,188 B2 \* 4/2019 Sculler ..... F21S 6/001  
2006/0087852 A1 \* 4/2006 Richmond ..... F21S 9/037  
362/374  
2017/0122550 A1 \* 5/2017 Sculler ..... F21S 6/001

(73) Assignee: **KE M.O. HOUSE CO., LTD.**,  
Shenzhen (CN)

(\*\*) Term: **15 Years**

\* cited by examiner

(21) Appl. No.: **29/672,559**

*Primary Examiner* — Ania Aman

(22) Filed: **Dec. 6, 2018**

(74) *Attorney, Agent, or Firm* — Behmke Innovation  
Group LLC; Jonathon P. Western

(30) **Foreign Application Priority Data**

(57) **CLAIM**

Aug. 14, 2018 (CN) ..... 2018 3 0447702

The ornamental design for a fan heater, as shown and  
described.

(51) **LOC (12) Cl.** ..... **23-03**

**DESCRIPTION**

(52) **U.S. Cl.**

USPC ..... **D23/332**

(58) **Field of Classification Search**

USPC ..... D23/314, 317, 318, 324, 325, 327, 329,  
D23/332, 333, 334, 335, 336, 337, 338,  
D23/339, 340, 341, 342, 351, 355, 356,  
D23/359, 360, 364, 366, 328, 323, 386,  
D23/344, 343; D26/9, 11, 67, 85

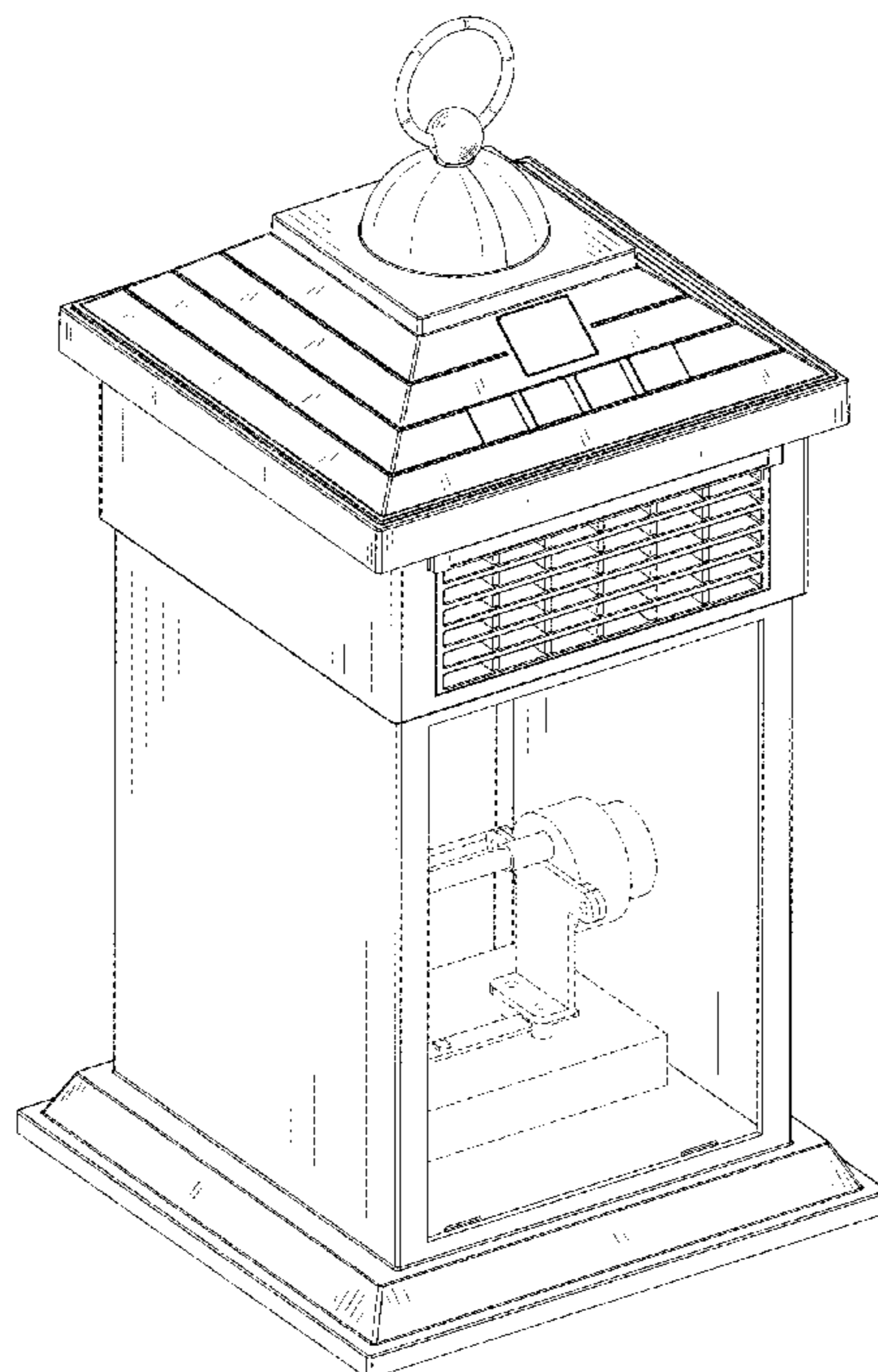
CPC ..... F24F 6/00; F24F 2006/008; F24F 6/02;  
F24F 6/12; F24F 5/0035; F24H 9/2071;  
F24H 9/0052; F24H 9/02; F24H 3/006;  
F24H 3/002; F24H 3/00; F24H 3/02;  
F24H 3/022; F24H 3/0411; F24H 3/0417;  
F24H 3/0488; F24H 9/0073; F24H  
9/1881; F24D 19/06; F23D 14/36

See application file for complete search history.

FIG. 1 is a perspective view showing the front and left side  
of my new design;  
FIG. 2 is a rear and left side perspective view thereof;  
FIG. 3 is another rear and left side perspective view thereof;  
FIG. 4 is a front view thereof;  
FIG. 5 is a back view thereof;  
FIG. 6 is a left side view thereof;  
FIG. 7 is a right side view thereof;  
FIG. 8 is a top view thereof; and,  
FIG. 9 is a bottom view thereof.

The broken lines shown in the drawings are for the purpose  
of illustrating portions of the fan heater that form no part of  
the claimed design.

**1 Claim, 9 Drawing Sheets**



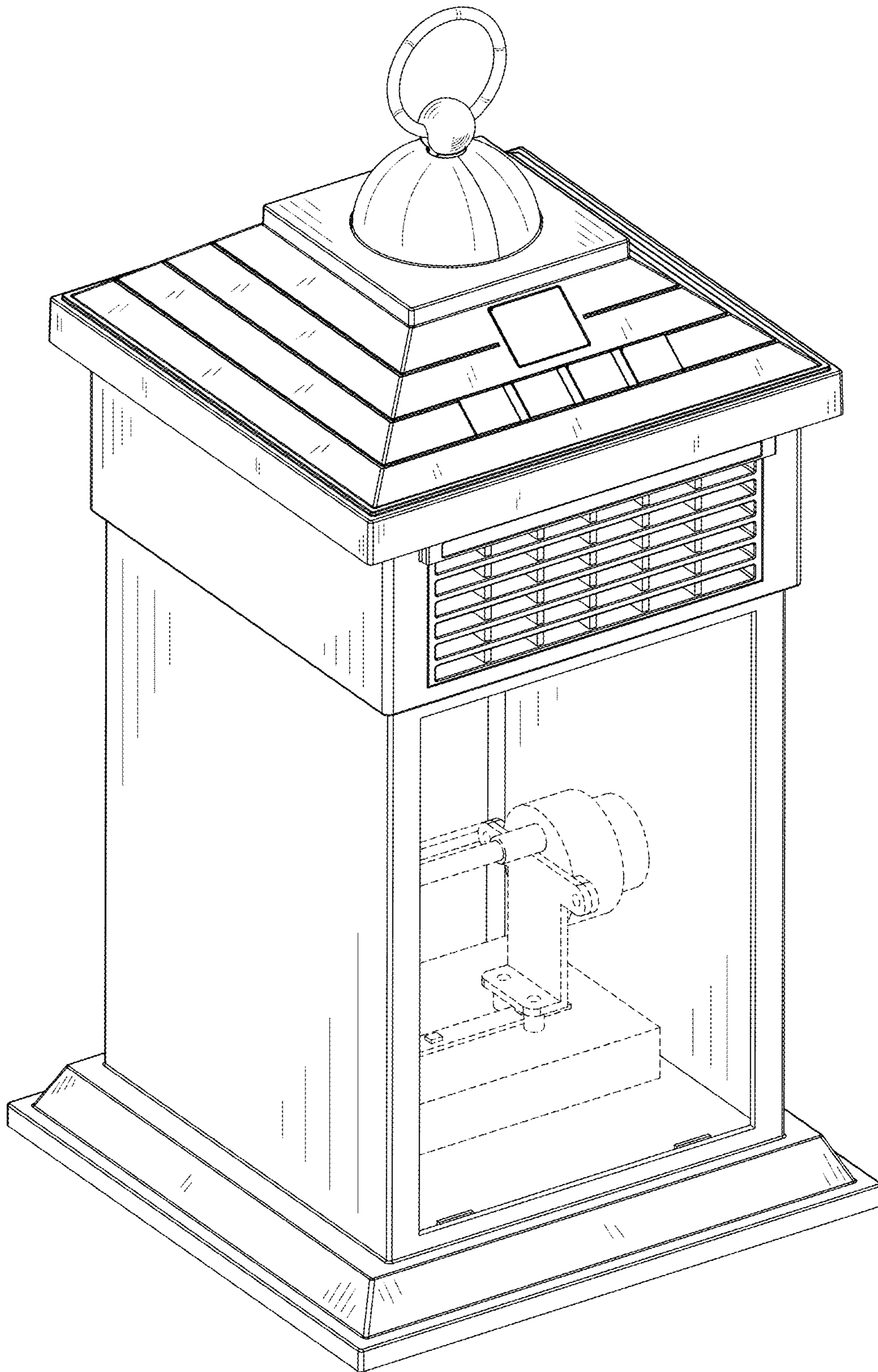


FIG. 1



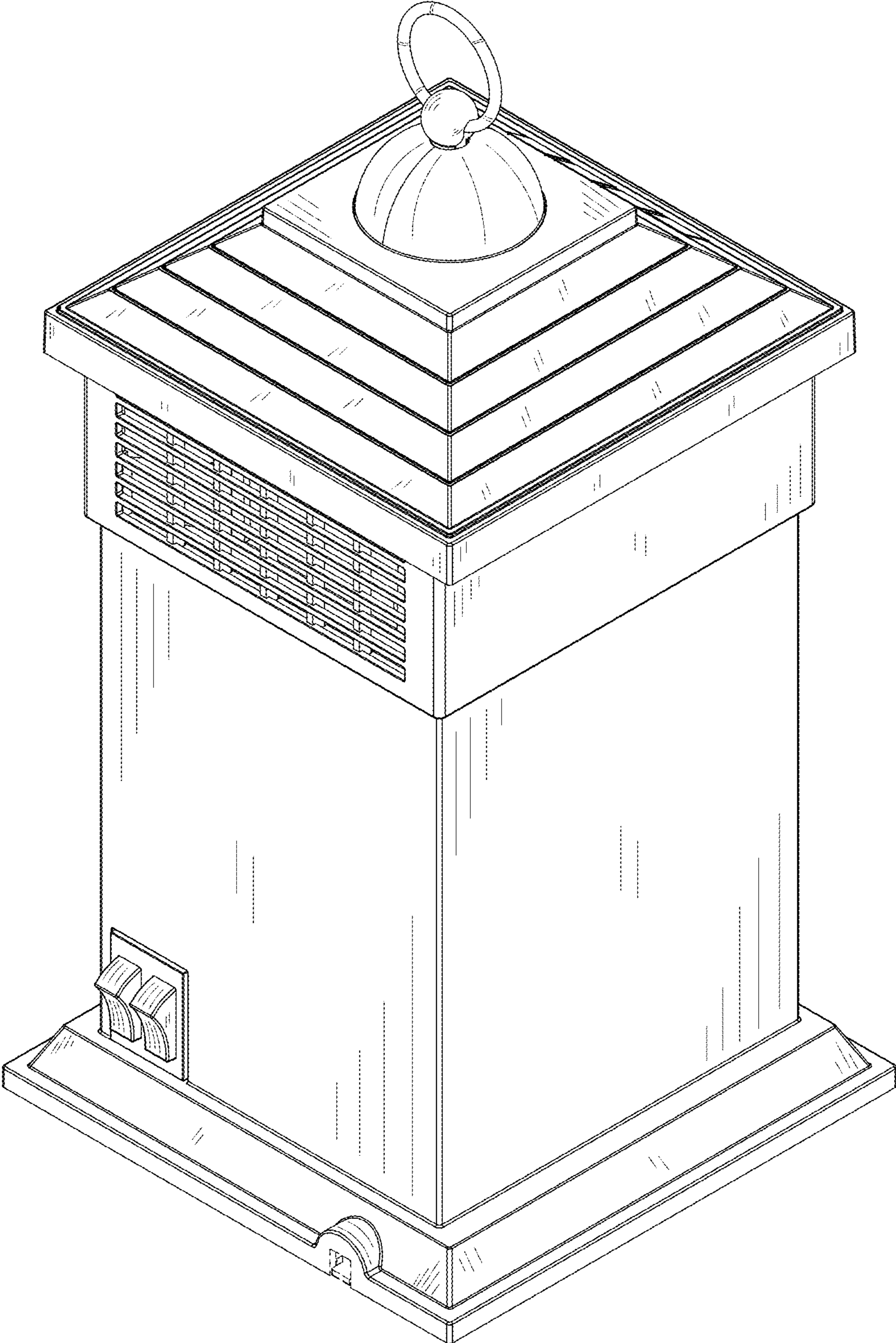


FIG.2

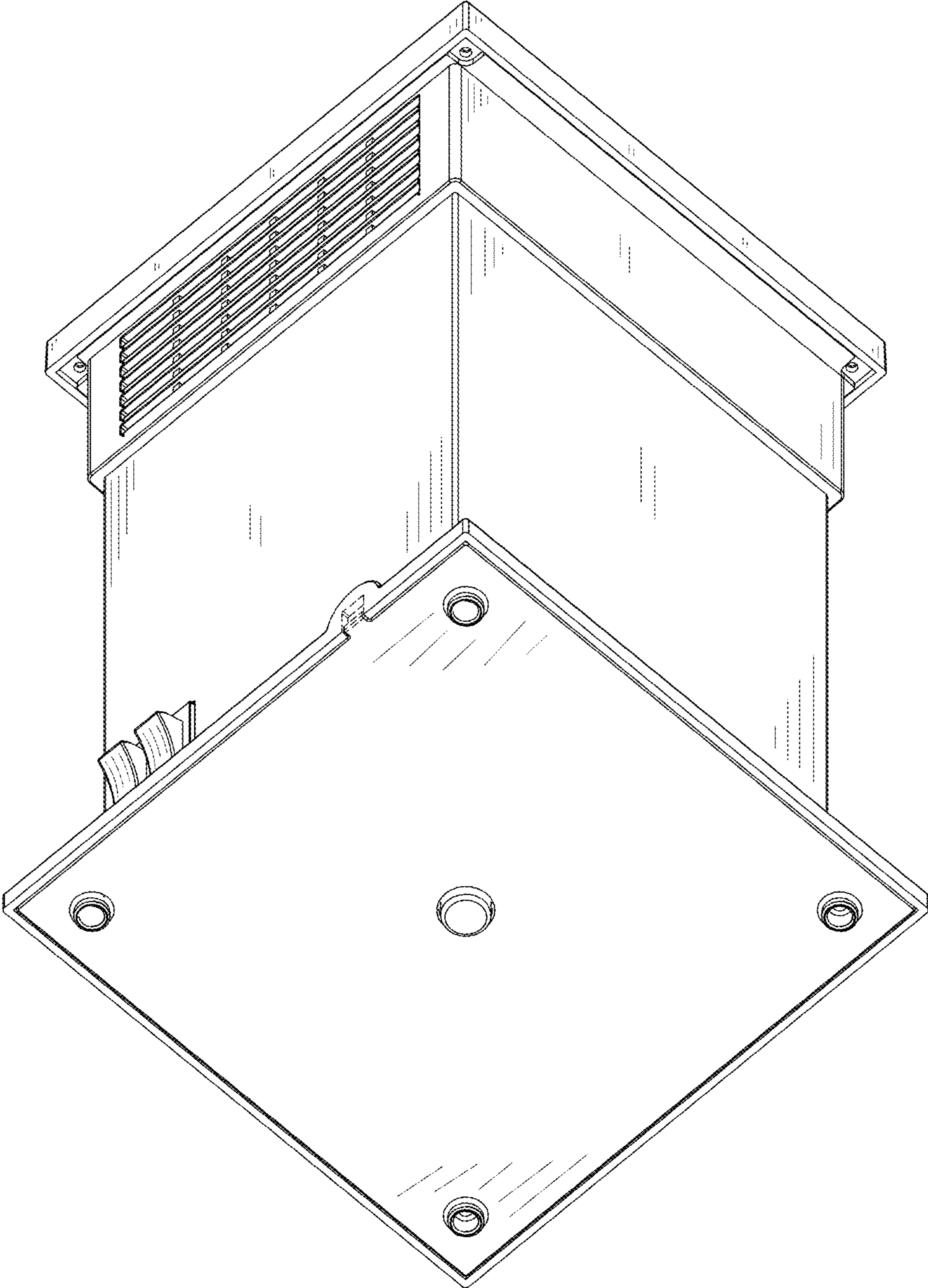


FIG.3

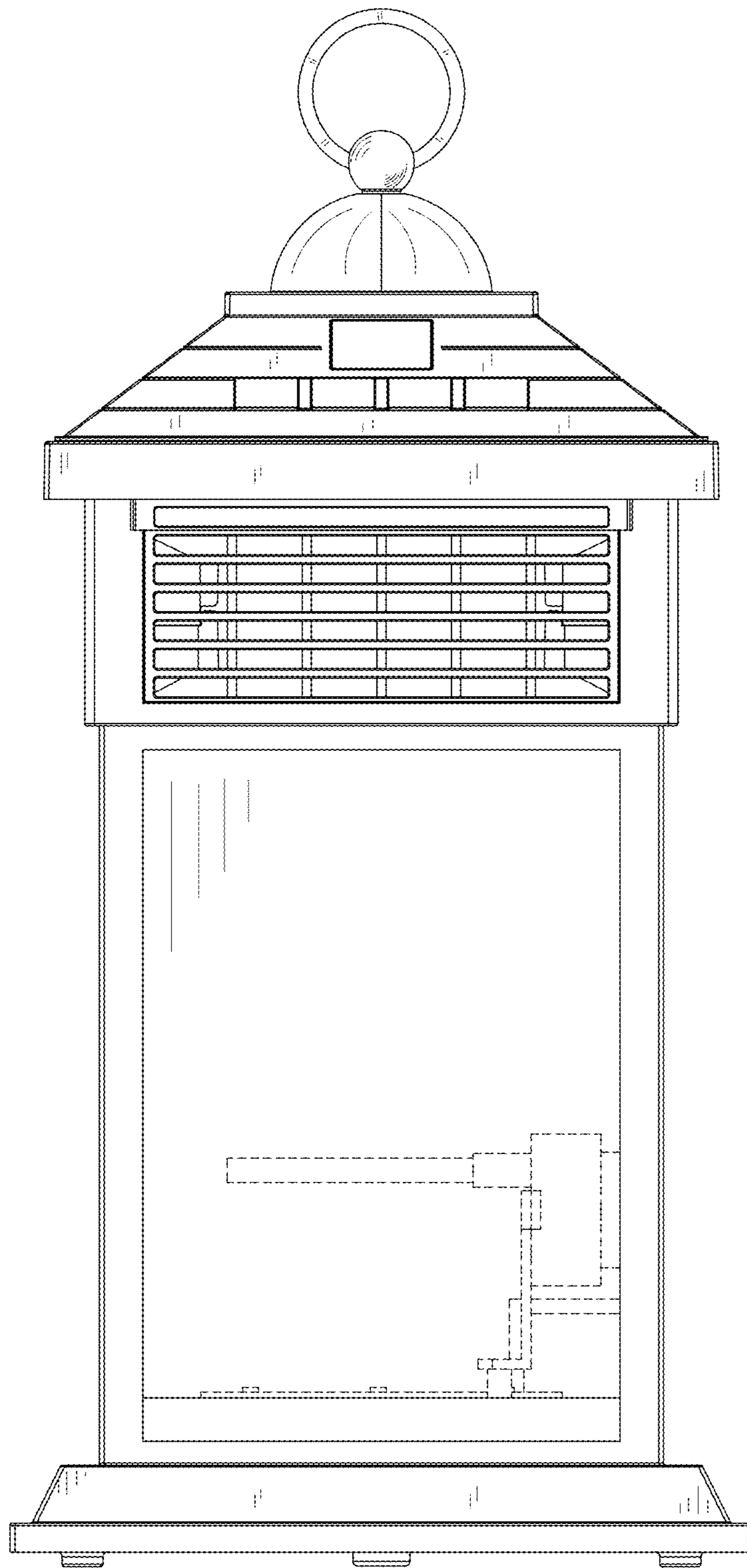


FIG. 4

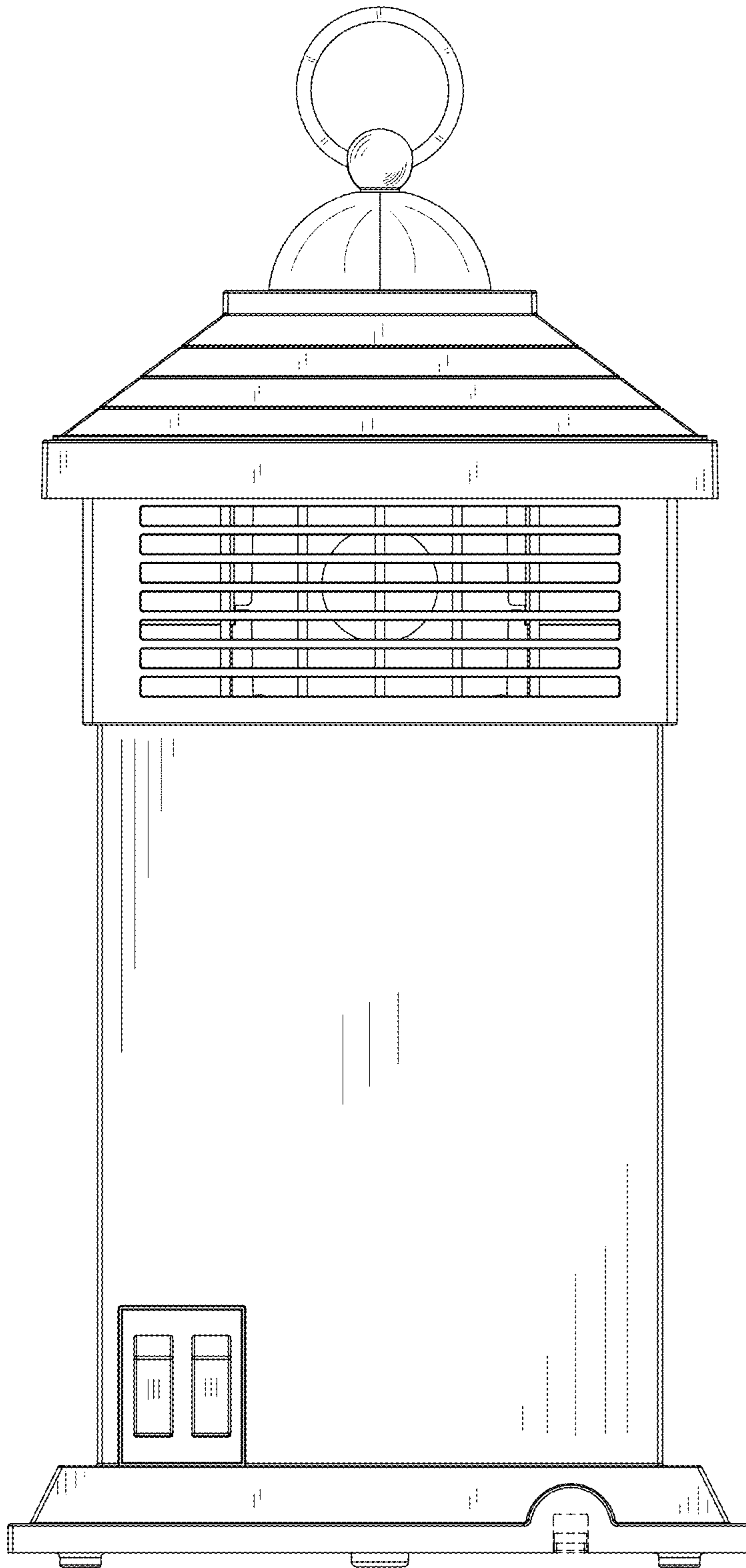


FIG. 5



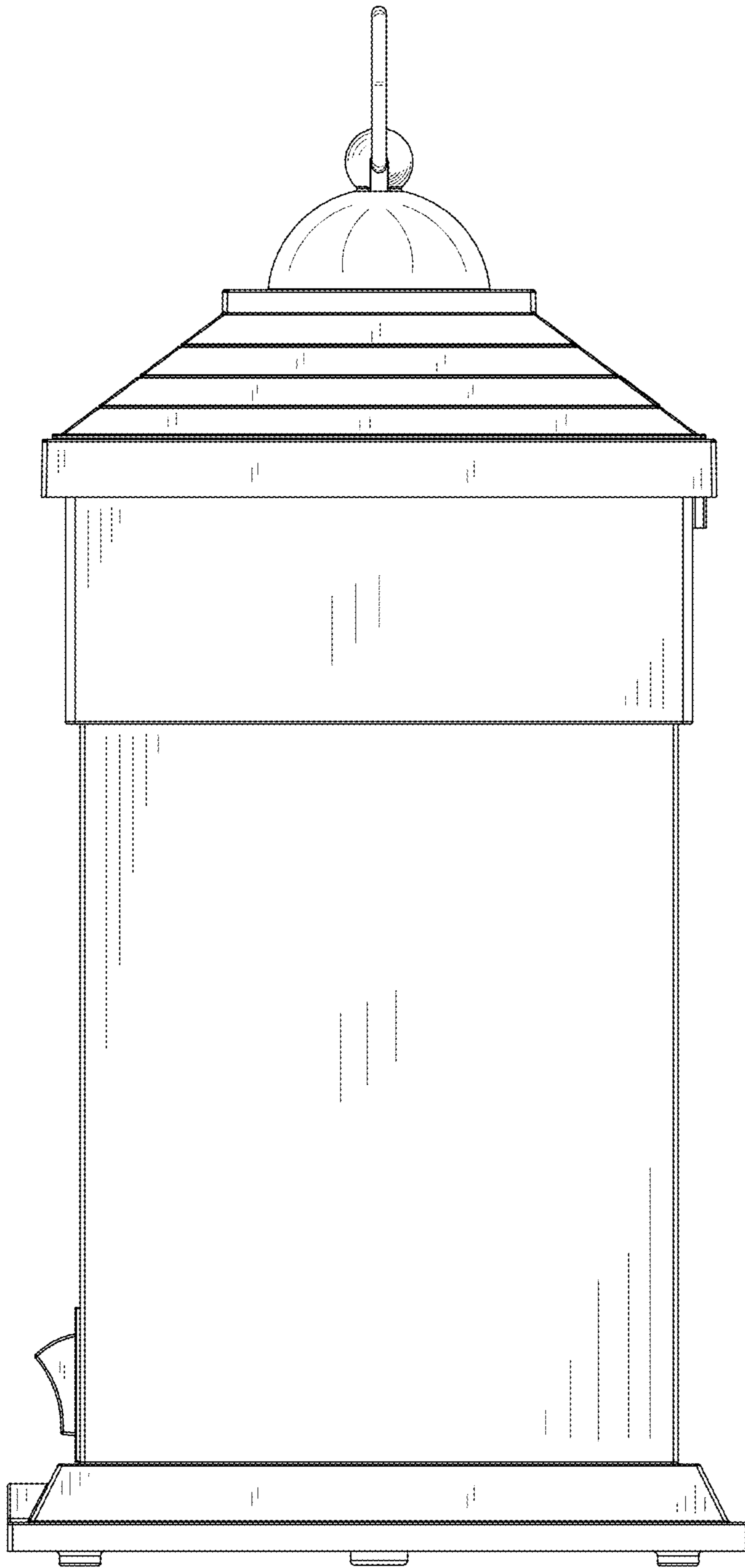


FIG. 6

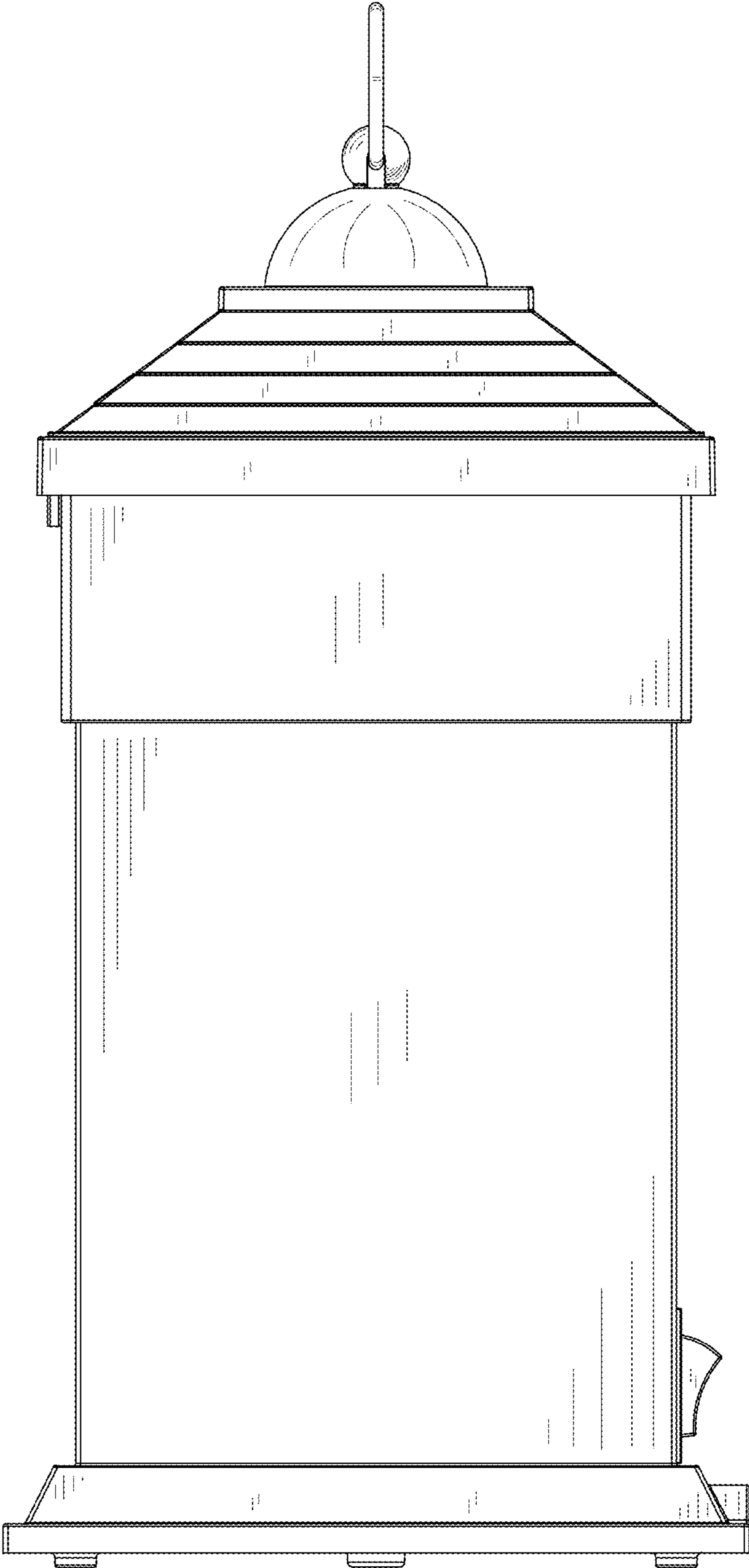


FIG. 7



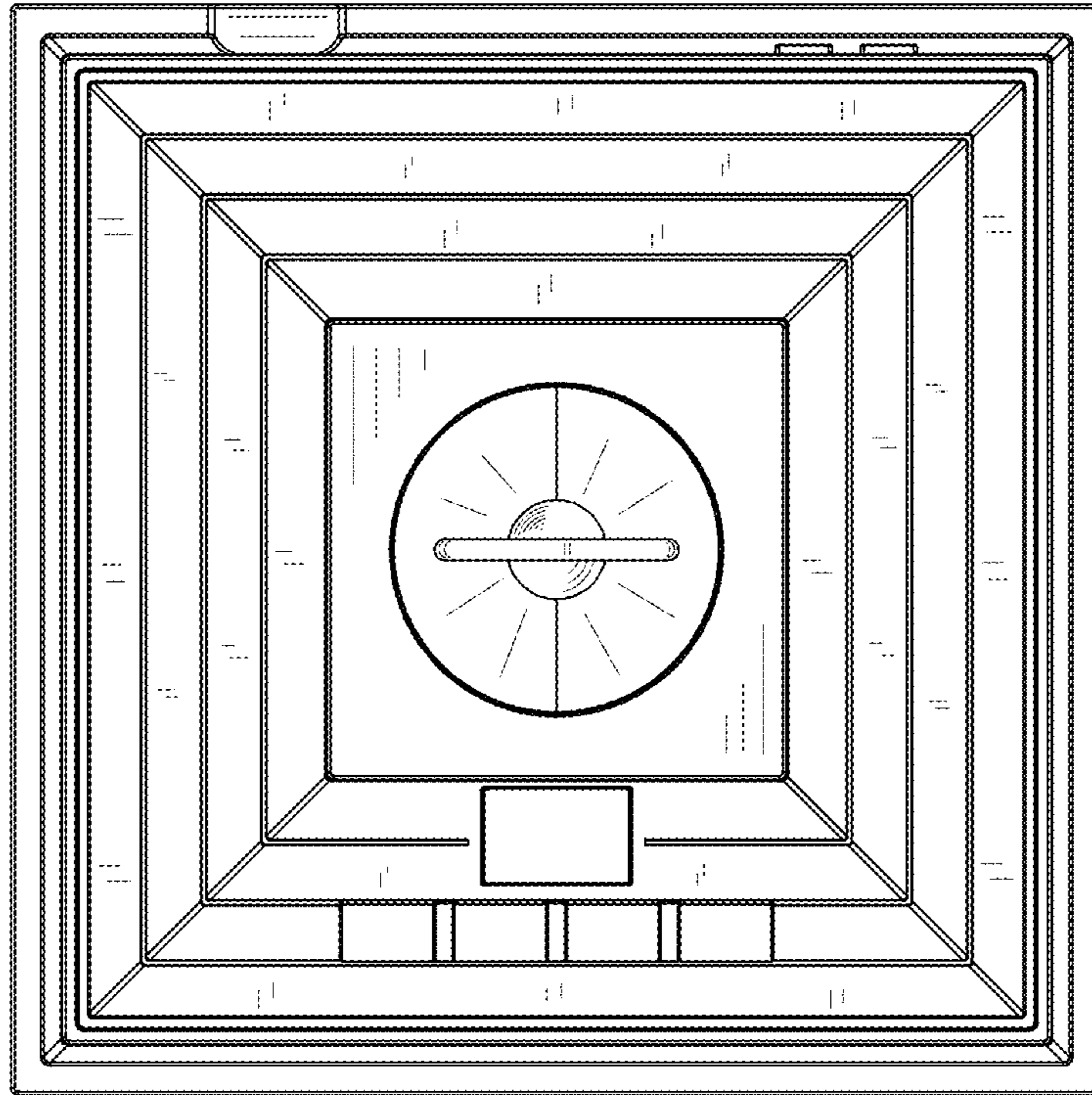


FIG. 8

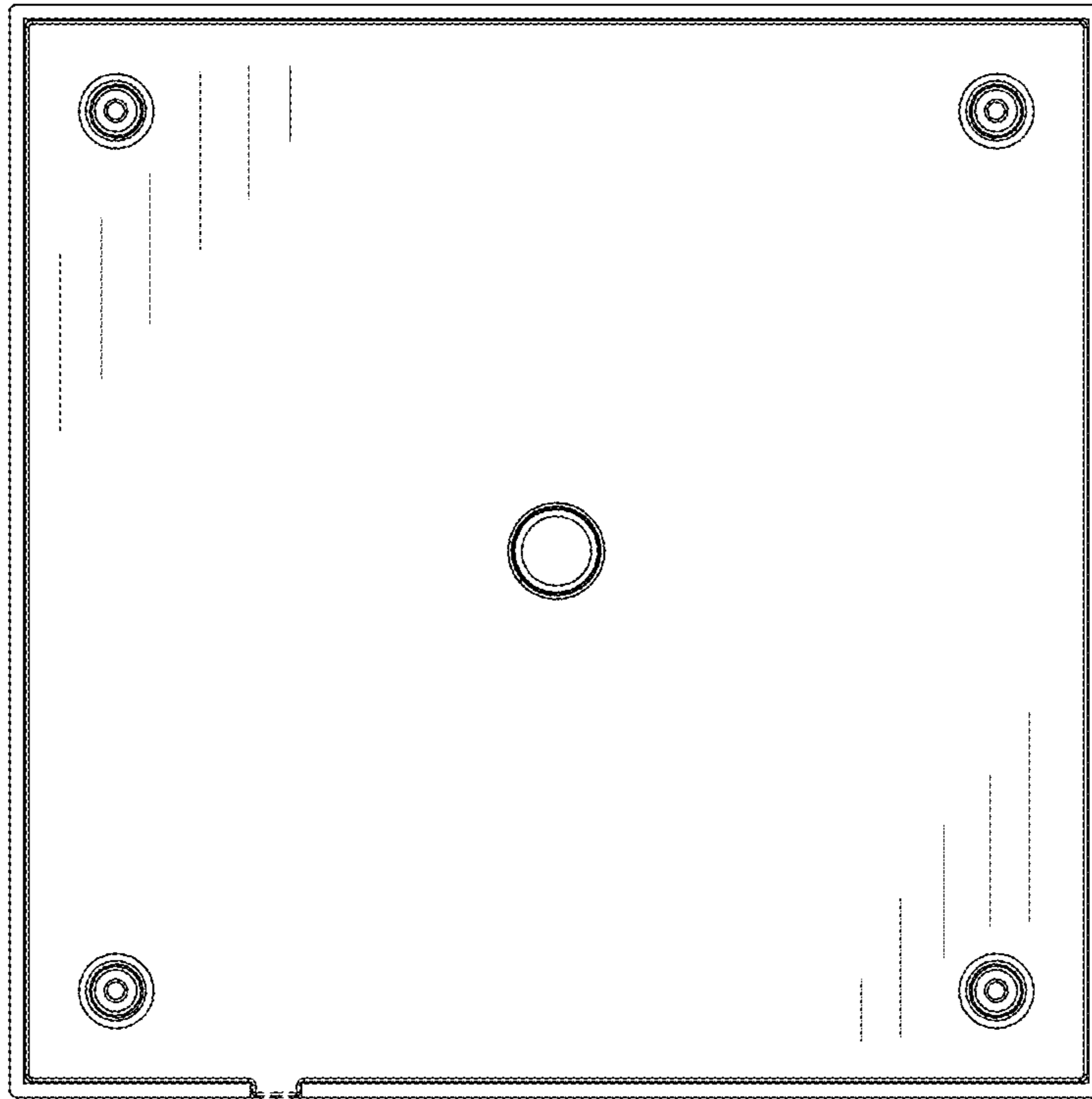


FIG.9