



US00D886967S

(12) **United States Design Patent** (10) **Patent No.:** **US D886,967 S**  
**Matsushima** (45) **Date of Patent:** **\*\* Jun. 9, 2020**

(54) **COOLER**

(71) Applicant: **SHOWA DENKO K.K.**, Tokyo (JP)

(72) Inventor: **Seiji Matsushima**, Oyama (JP)

(73) Assignee: **SHOWA DENKO K.K.**, Tokyo (JP)

(\*\*) Term: **15 Years**

(21) Appl. No.: **29/705,568**

(22) Filed: **Sep. 13, 2019**

**Related U.S. Application Data**

(62) Division of application No. 29/580,136, filed on Oct. 6, 2016.

(30) **Foreign Application Priority Data**

Apr. 6, 2016 (JP) ..... D2016-007642  
 Apr. 6, 2016 (JP) ..... D2016-007643

(51) **LOC (12) Cl.** ..... **23-03**

(52) **U.S. Cl.**  
USPC ..... **D23/314**

(58) **Field of Classification Search**  
 USPC ..... D23/314, 322, 323; D13/122, 179, 182  
 CPC ..... F28F 3/00; F28F 3/025; F28F 3/02; H01L  
 23/473; H01L 23/427  
 See application file for complete search history.

(56) **References Cited**

**U.S. PATENT DOCUMENTS**

D715,747 S 10/2014 Imoto  
 D755,741 S 5/2016 Prajuckamol et al.  
 D773,408 S 12/2016 Lindeman  
 D774,472 S 12/2016 Lindeman  
 D774,473 S 12/2016 Lindeman  
 2002/0117291 A1\* 8/2002 Cheon ..... G06F 1/20  
 165/80.4  
 2004/0068991 A1\* 4/2004 Banney ..... F28F 1/045  
 62/3.7

2004/0163798 A1 8/2004 Ghosh et al.  
 2008/0030955 A1 2/2008 Chen et al.  
 2009/0145581 A1\* 6/2009 Hoffman ..... F28F 1/40  
 165/80.3

2011/0272121 A1 11/2011 Suzuki et al.  
 (Continued)

**FOREIGN PATENT DOCUMENTS**

KR 20040006636 A \* 1/2004 ..... H05K 7/20236

**OTHER PUBLICATIONS**

Office Action with Form PTO-892 Notice of References Cited issued by the U.S. Patent and Trademark Office for the U.S. Appl. No. 29/580,136, dated Sep. 20, 2019.

(Continued)

*Primary Examiner* — Ania Aman

(74) *Attorney, Agent, or Firm* — Mori & Ward, LLP

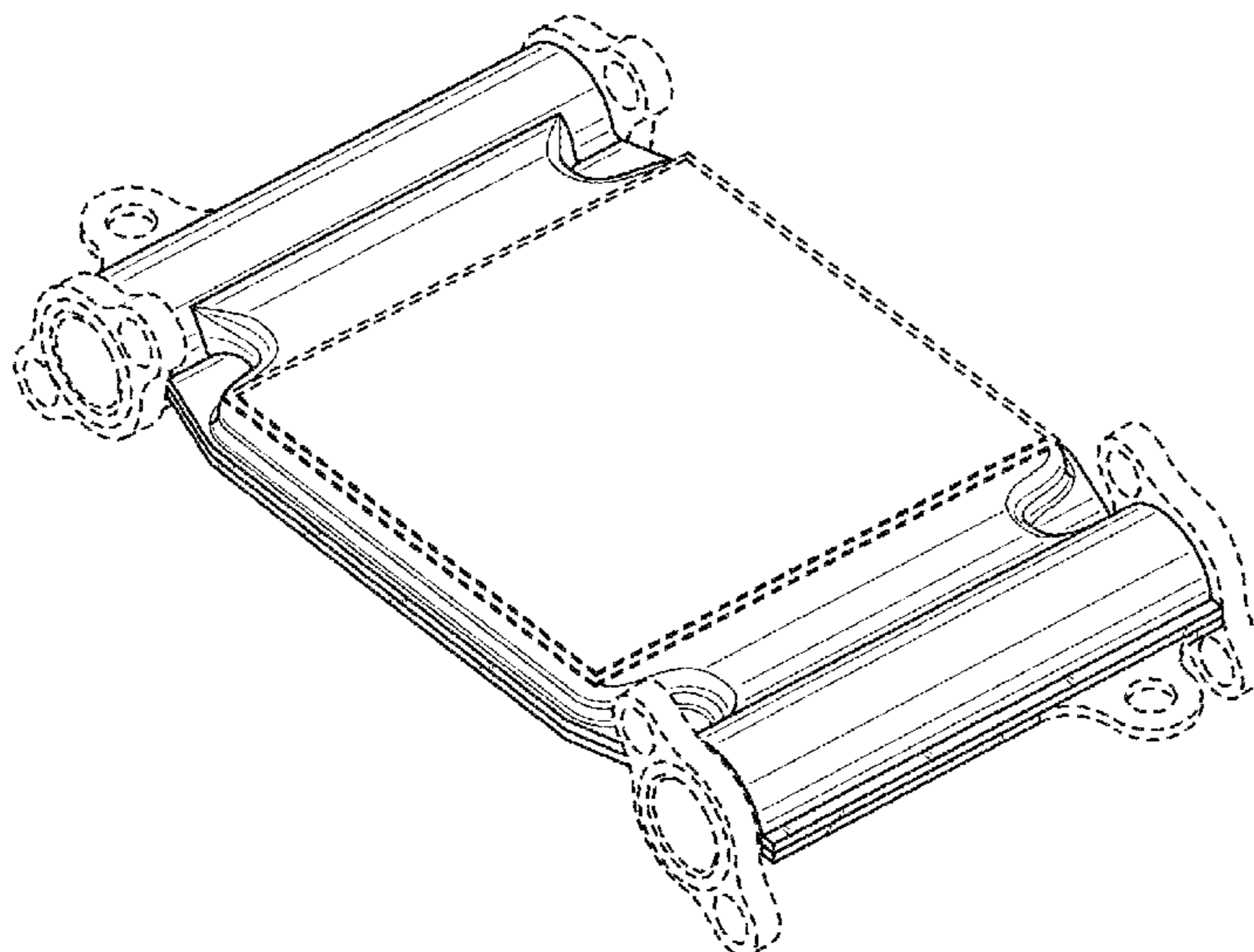
(57) **CLAIM**

The ornamental design for a cooler, as shown and described.

**DESCRIPTION**

FIG. 1 is a bottom and right front perspective view of a cooler, showing my design;  
 FIG. 2 is a front elevational view thereof;  
 FIG. 3 is a rear elevational view thereof;  
 FIG. 4 is a top plan view thereof;  
 FIG. 5 is a bottom elevational view thereof;  
 FIG. 6 is a right side elevational view thereof;  
 FIG. 7 is a left side elevational view thereof;  
 FIG. 8 is an end view taken along line 8-8 in FIG. 2 with inner structure omitted; and,  
 FIG. 9 is an end view taken along line 9-9 in FIG. 2 with inner structure omitted.  
 Portions of the disclosure shown in broken lines form no part of the claimed design.

**1 Claim, 4 Drawing Sheets**



(56)

**References Cited**

U.S. PATENT DOCUMENTS

2013/0284404 A1 10/2013 Matsushima et al.  
2014/0091453 A1 4/2014 Mori et al.  
2014/0131007 A1\* 5/2014 Lyon ..... F28F 9/007  
165/67  
2018/0263137 A1 9/2018 Jensen et al.  
2019/0221499 A1 7/2019 Chang et al.

OTHER PUBLICATIONS

Restriction Requirement with form PTO-892 Notice of References  
Cited issued by the U.S. Patent and Trademark Office for the parent  
application No. 29/580,136 Jun. 13, 2019.

\* cited by examiner

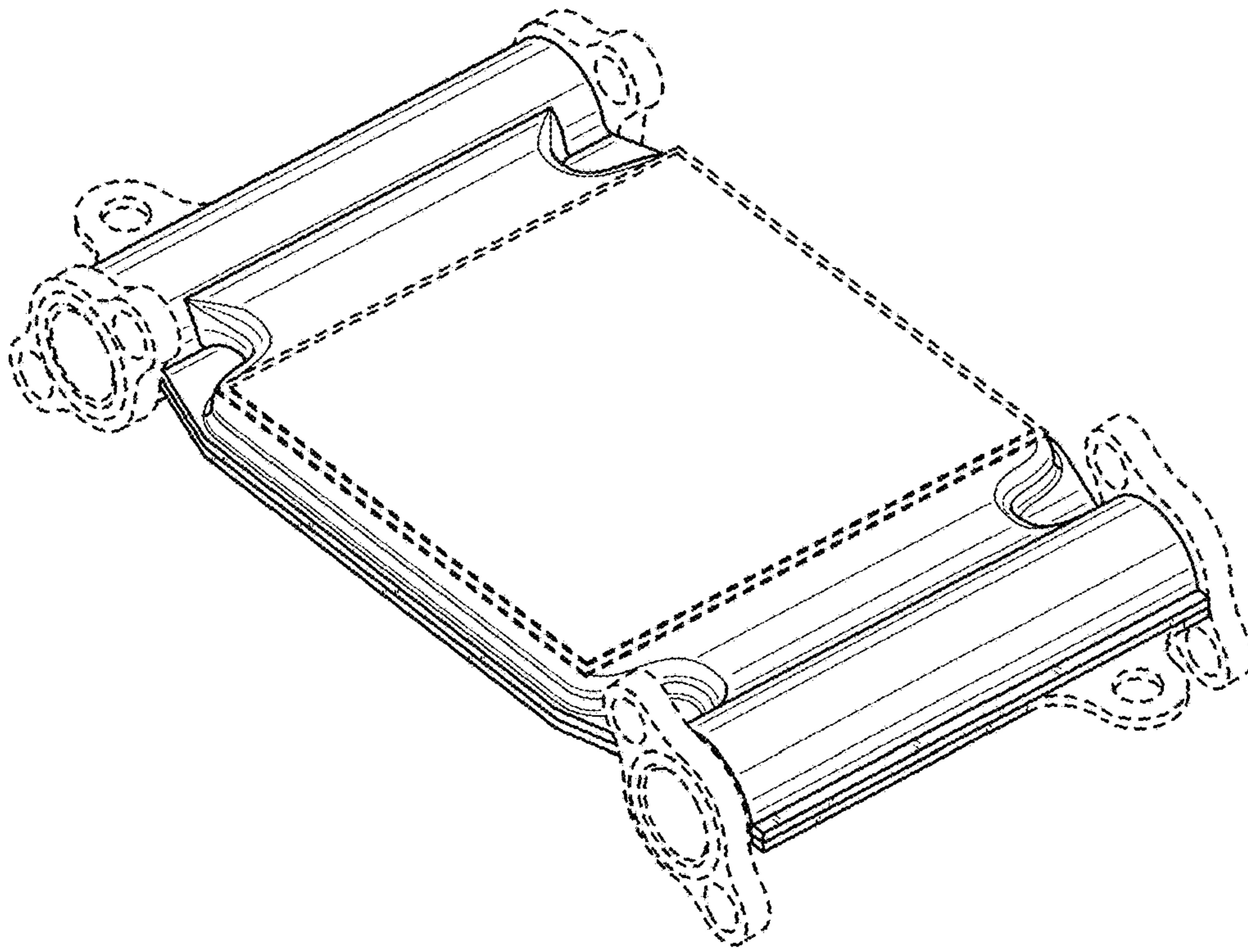


FIG. 1

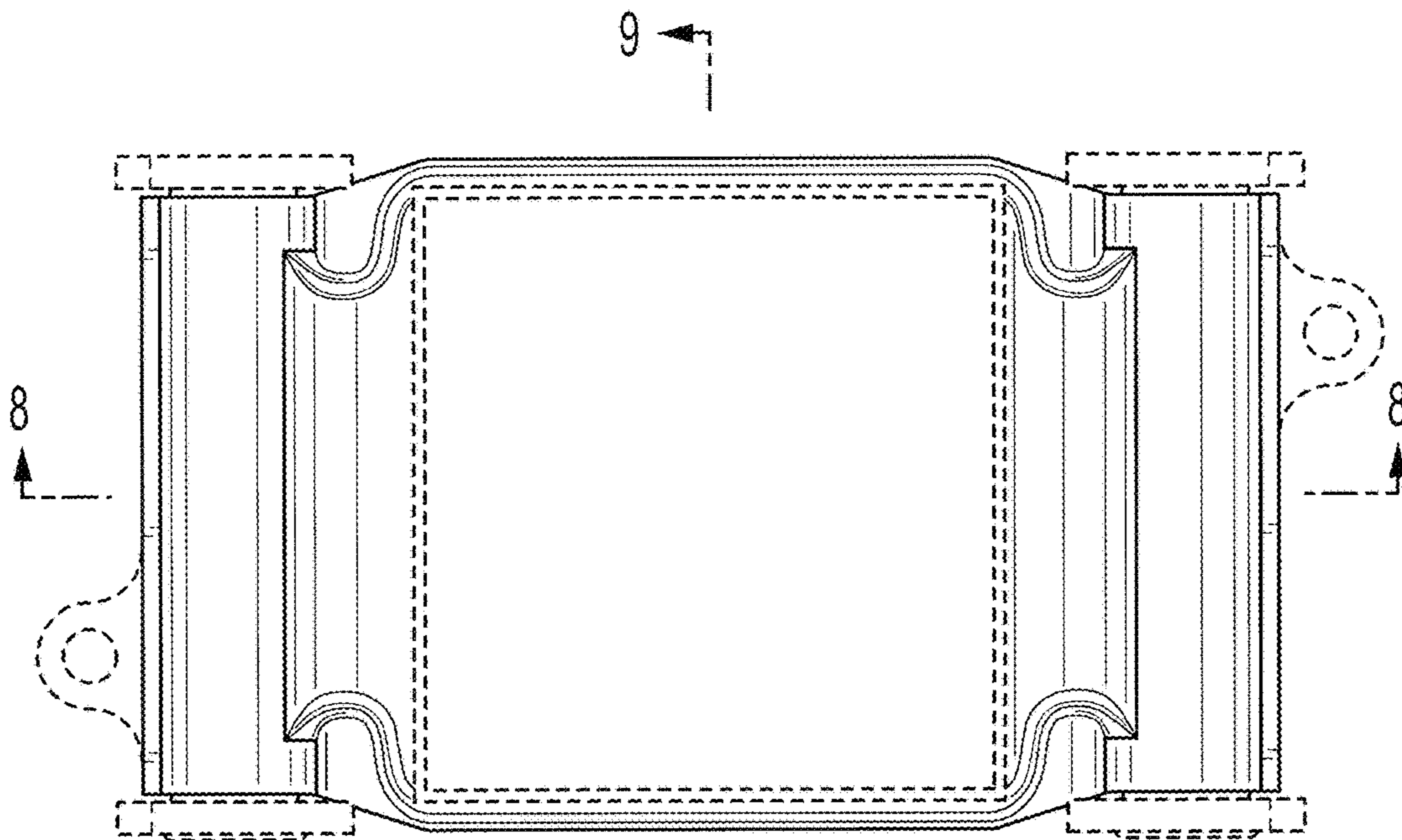


FIG. 2

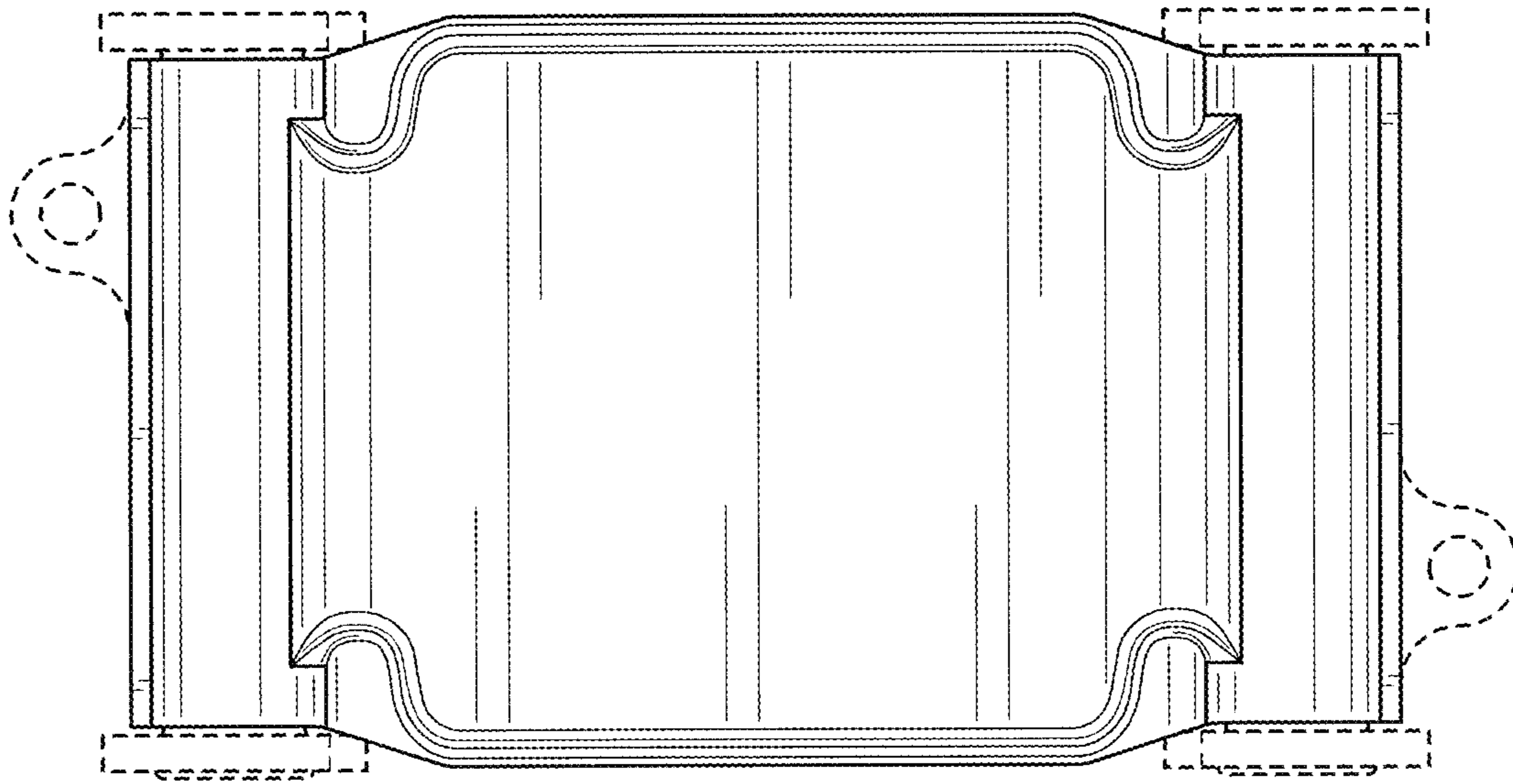


FIG. 3

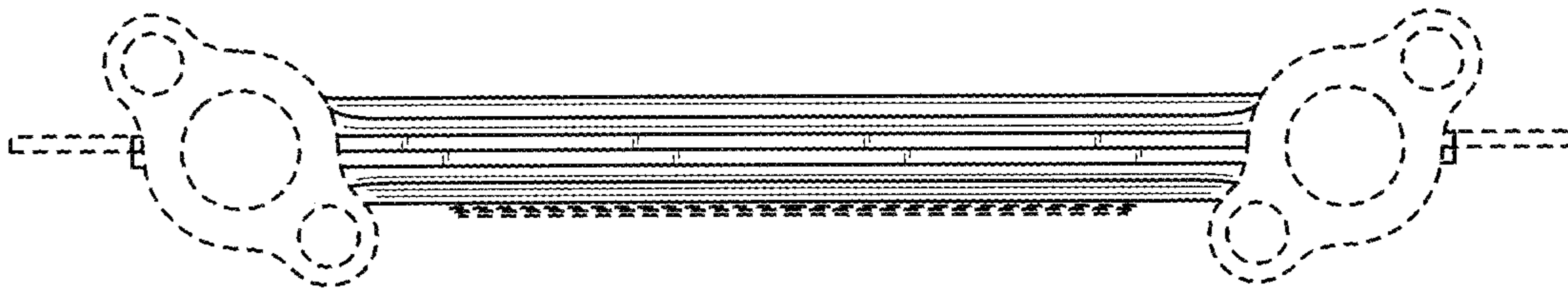


FIG. 4

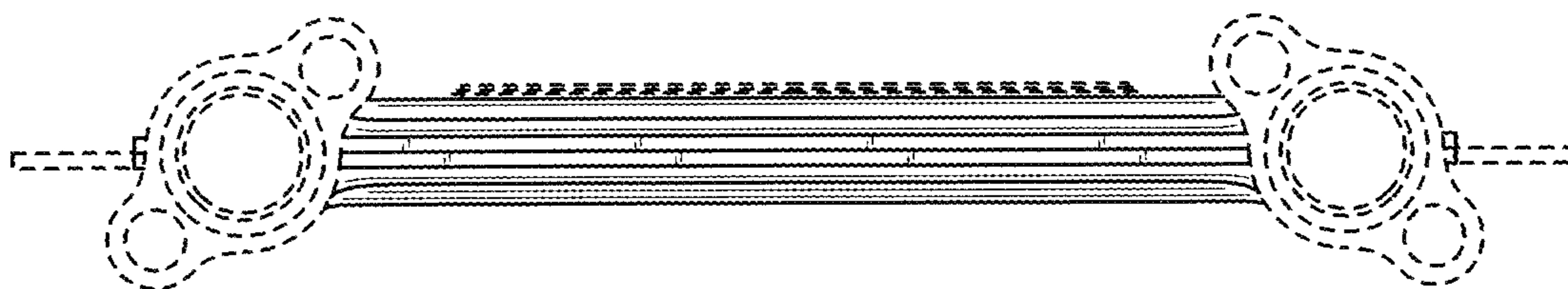


FIG. 5

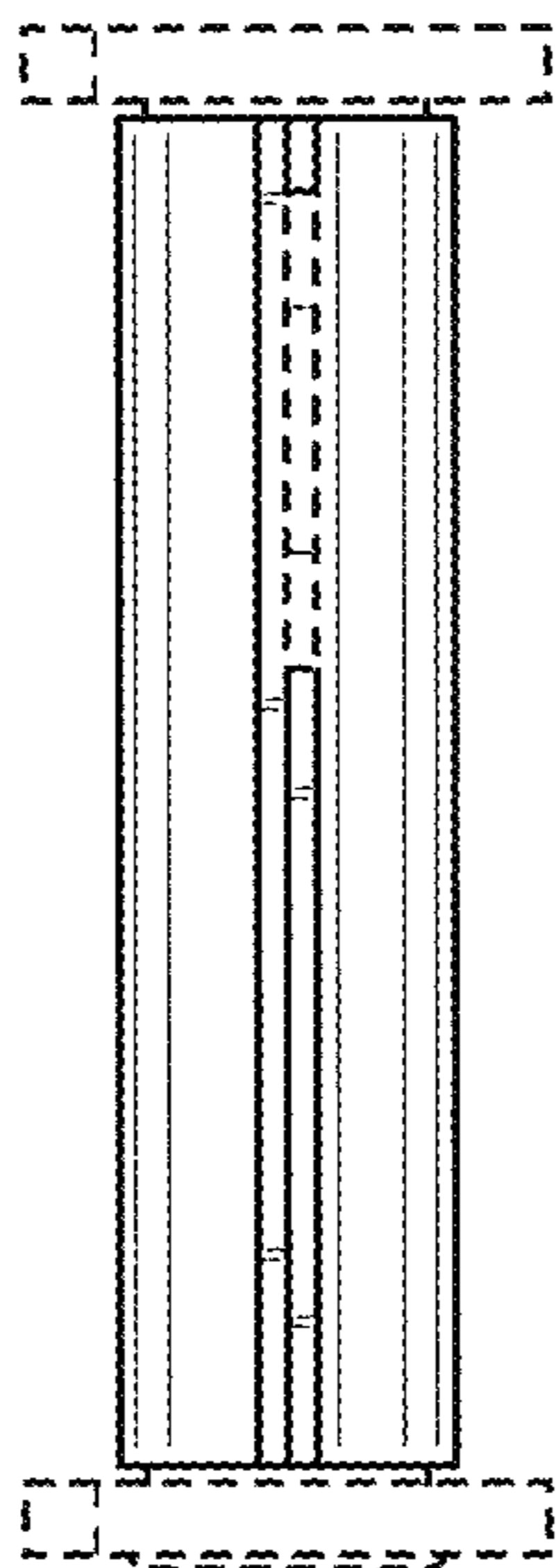


FIG. 6

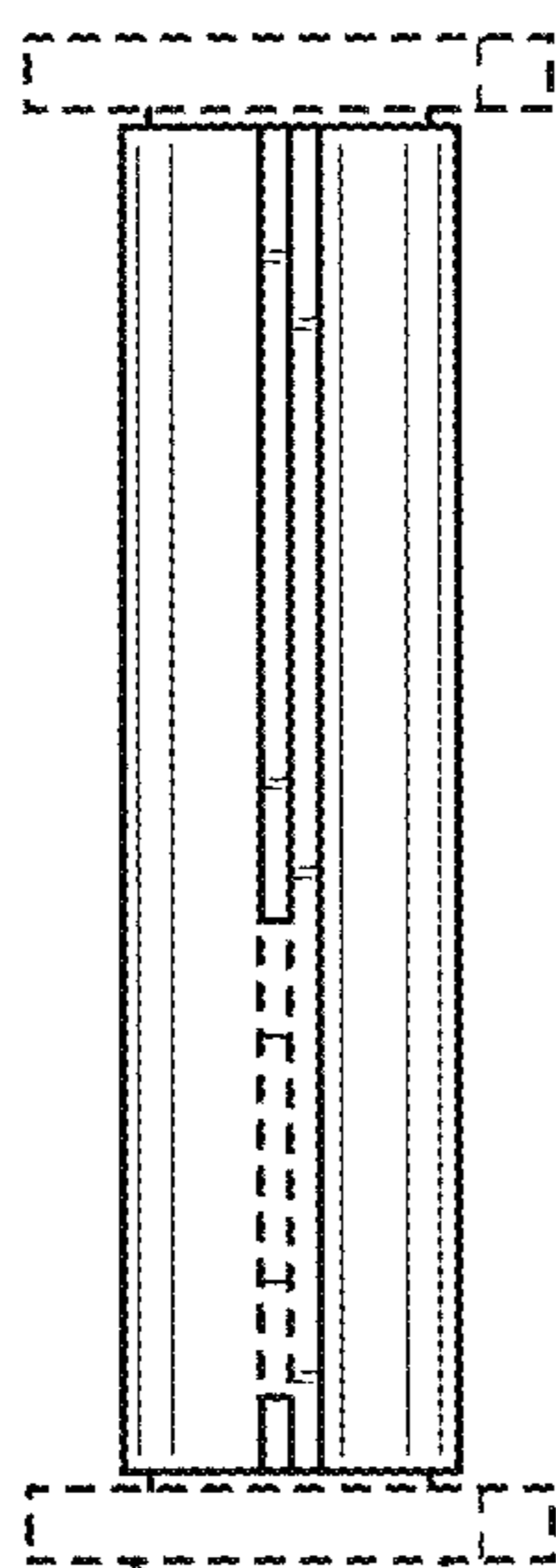


FIG. 7

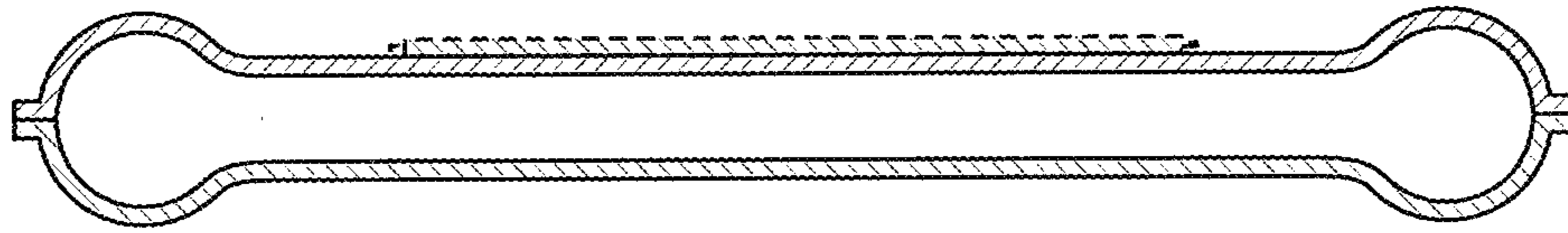


FIG. 8



FIG. 9