



US00D886964S

(12) **United States Design Patent**
Goodes et al.

(10) **Patent No.:** **US D886,964 S**
(45) **Date of Patent:** **** Jun. 9, 2020**

(54) **BATH SEAT**
(71) Applicant: **Gainsborough Healthcare Group Ltd., Aldridge (GB)**
(72) Inventors: **Dennis Goodes, Aycliffe (GB); Sean O'Malley, Aycliffe (GB)**
(73) Assignee: **Gainsborough Healthcare Group Ltd., Aldridge (GB)**
(**) Term: **15 Years**
(21) Appl. No.: **29/616,985**
(22) Filed: **Sep. 11, 2017**

D455,566 S * 4/2002 Park D6/336
6,804,842 B1 * 10/2004 Johnson A47K 3/125
4/578.1
D525,446 S * 7/2006 Farber D6/375
D569,137 S * 5/2008 Galati, Jr. D6/716
D572,929 S * 7/2008 van Ierssel D6/369
7,490,374 B2 * 2/2009 Fugate A61H 35/006
4/560.1
D667,243 S * 9/2012 Su D6/716
D743,711 S * 11/2015 Lissoni D6/375
D763,589 S * 8/2016 Mion D6/375
D799,232 S * 10/2017 Cvek D6/375
D823,177 S * 7/2018 Wills D12/133
2009/0121527 A1 * 5/2009 Galati, Jr. A47C 1/04
297/217.4
2010/0043134 A1 * 2/2010 Burkholder A47K 3/022
4/560.1

(30) **Foreign Application Priority Data**
Mar. 10, 2017 (GB) 6008801
(51) **LOC (12) Cl.** **23-02**
(52) **U.S. Cl.**
USPC **D23/304; D6/335**
(58) **Field of Classification Search**
USPC ... D23/277-279, 280.1, 280.2, 280.3, 280.4,
D23/303-307, 311; D6/335, 336, 375,
D6/716
CPC . A47K 3/12; A47K 3/22; A47K 3/024; A47K
3/122; A47K 3/127
See application file for complete search history.

(56) **References Cited**
U.S. PATENT DOCUMENTS
D209,282 S * 11/1967 Boyd D6/375
3,648,296 A * 3/1972 Craft A47K 3/022
4/444
D238,030 S * 12/1975 Welton D6/375
D340,142 S * 10/1993 Totoro D6/367
5,335,970 A * 8/1994 Bryant A47C 9/06
248/282.1
D360,024 S * 7/1995 Smith D23/304
D411,054 S * 6/1999 Williams D6/335

OTHER PUBLICATIONS

Gainsborough Bereno Assisted Bath [Apr. 17, 2019] found online [Apr. 17, 2019]<http://www.gainsboroughbaths.com/baths/bereno/#>.*

* cited by examiner

Primary Examiner — Lakiya G Rogers
Assistant Examiner — John A Voytek
(74) *Attorney, Agent, or Firm* — Pierce Atwood LLP;
Kevin M. Farrell; Shannon Vittengl

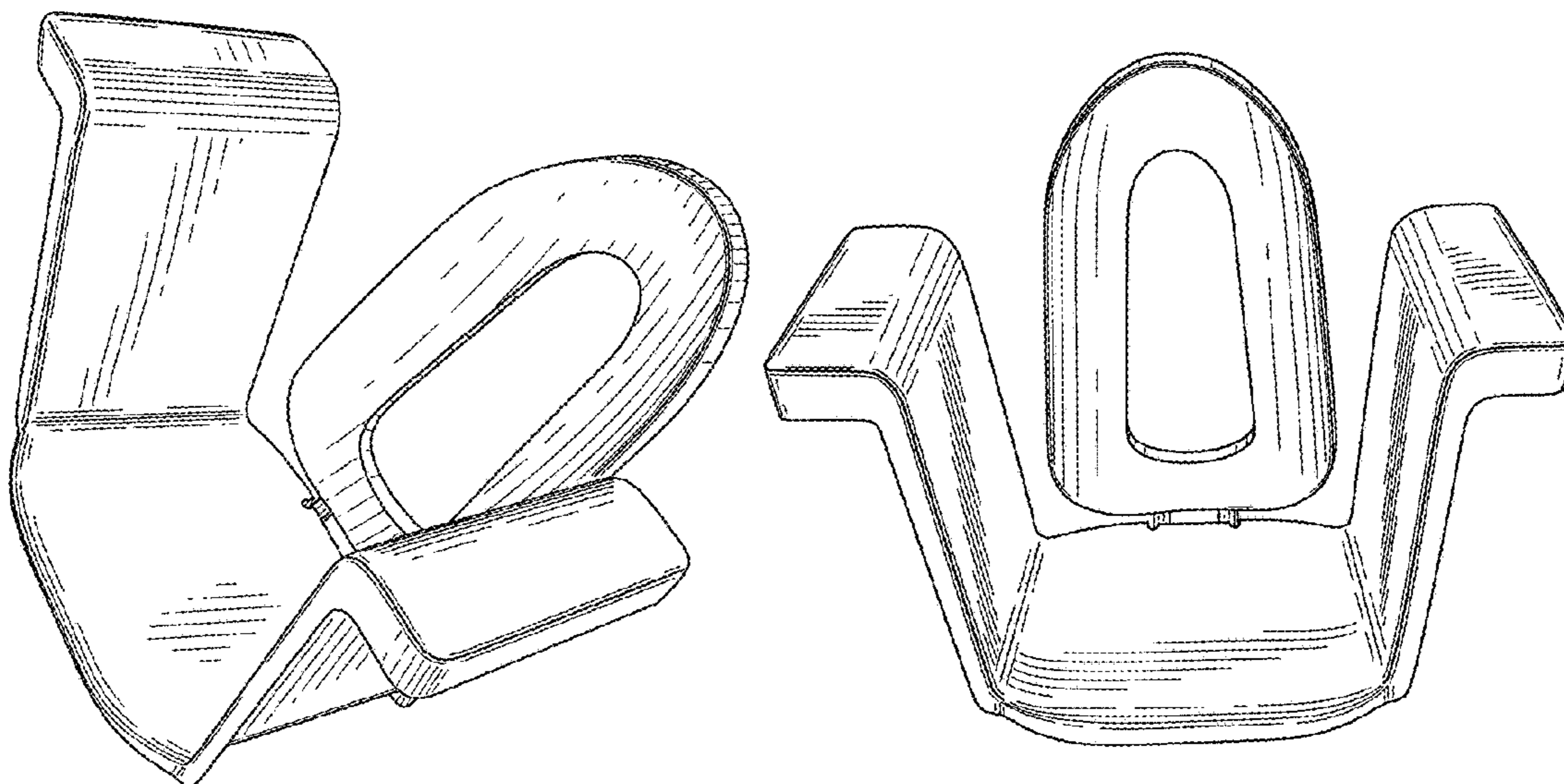
(57) **CLAIM**

The ornamental design for a bath seat, as shown and described.

DESCRIPTION

FIG. 1 is rear perspective view of a bath seat;
FIG. 2 is a three-quarter perspective view of the bath seat;
FIG. 3 is a front perspective view of the bath seat;
FIG. 4 is a right side perspective view of the bath seat; and,
FIG. 5 is a left side perspective view of the bath seat.

1 Claim, 5 Drawing Sheets



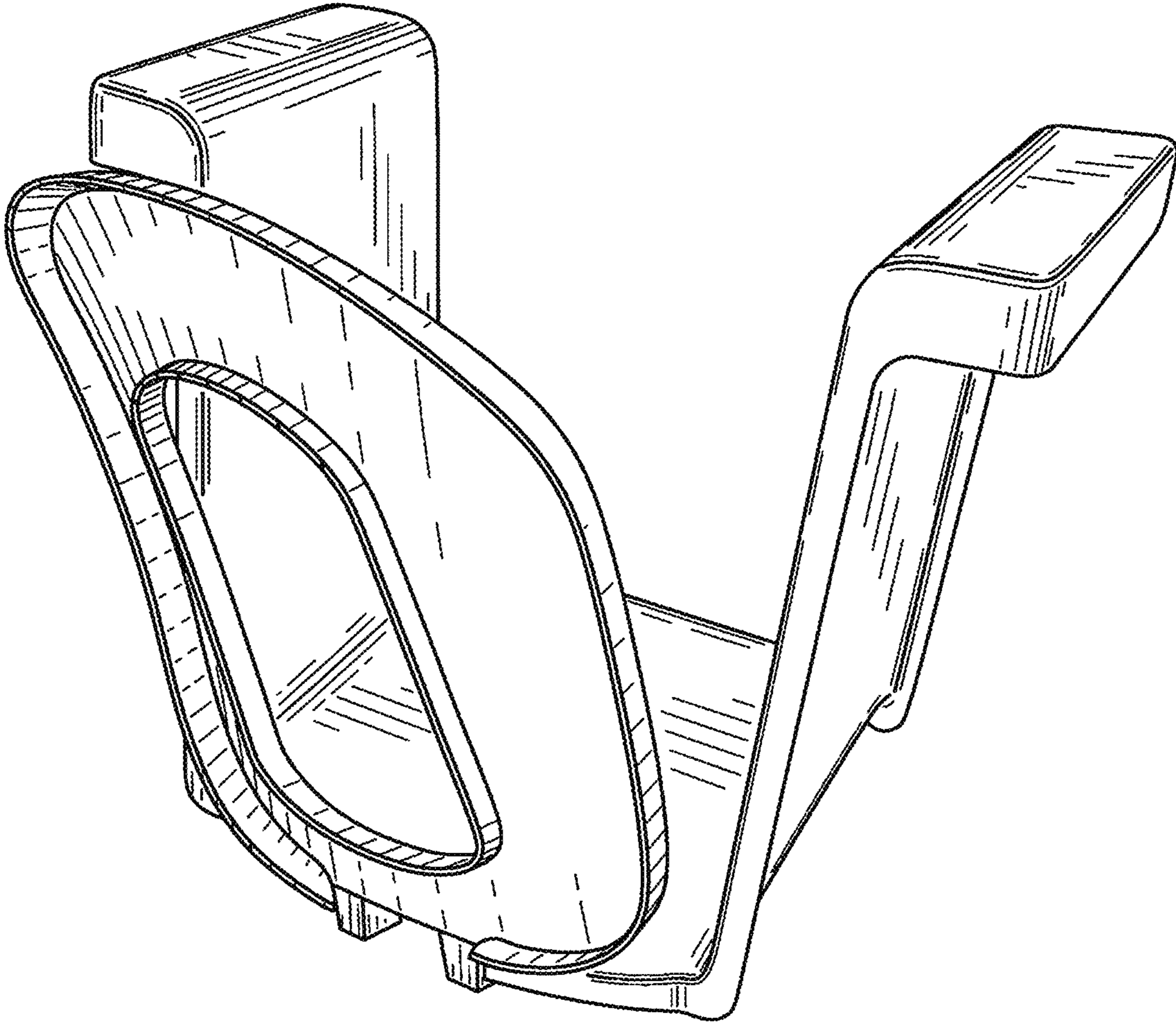


FIG. 1

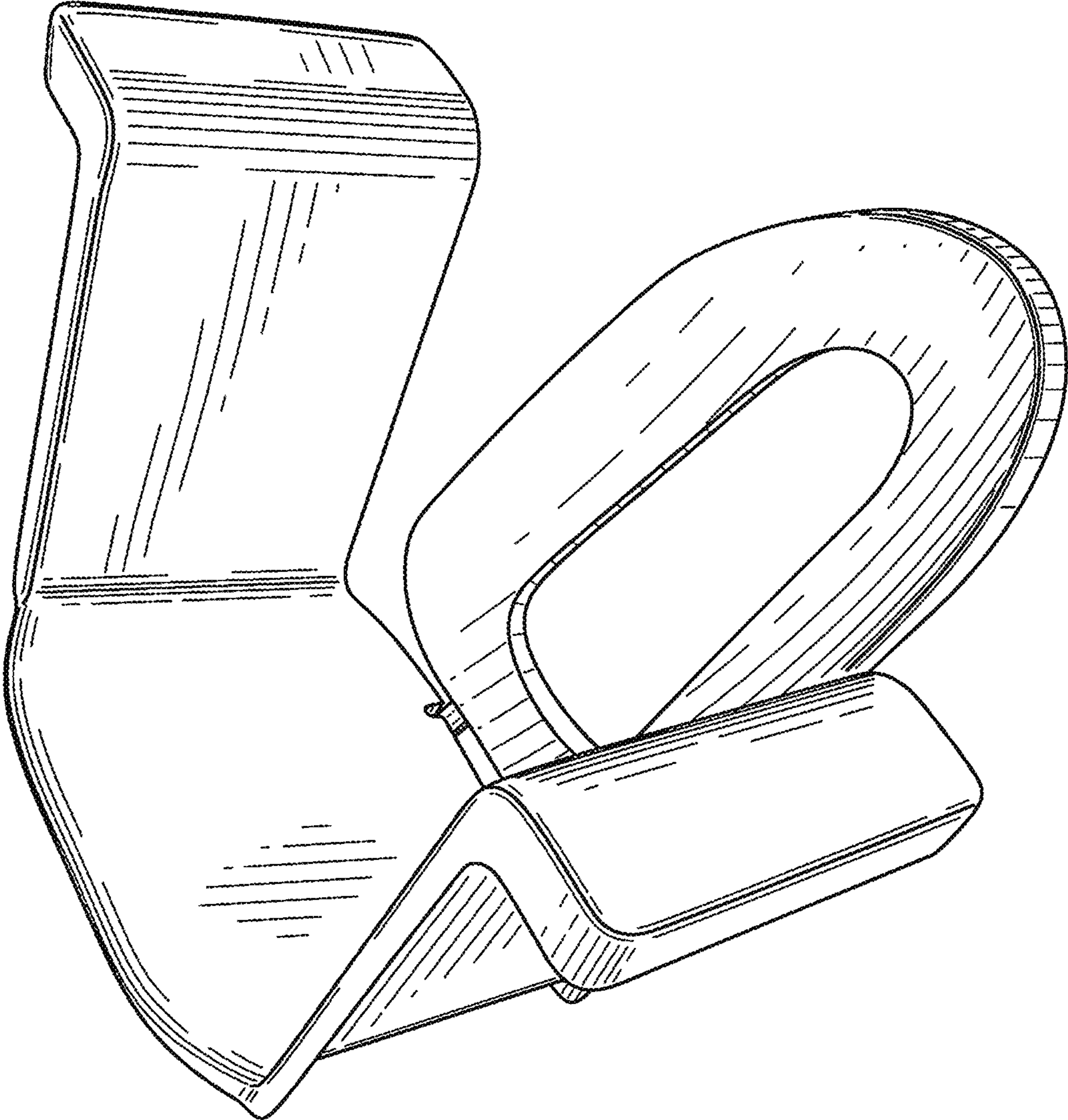


FIG. 2

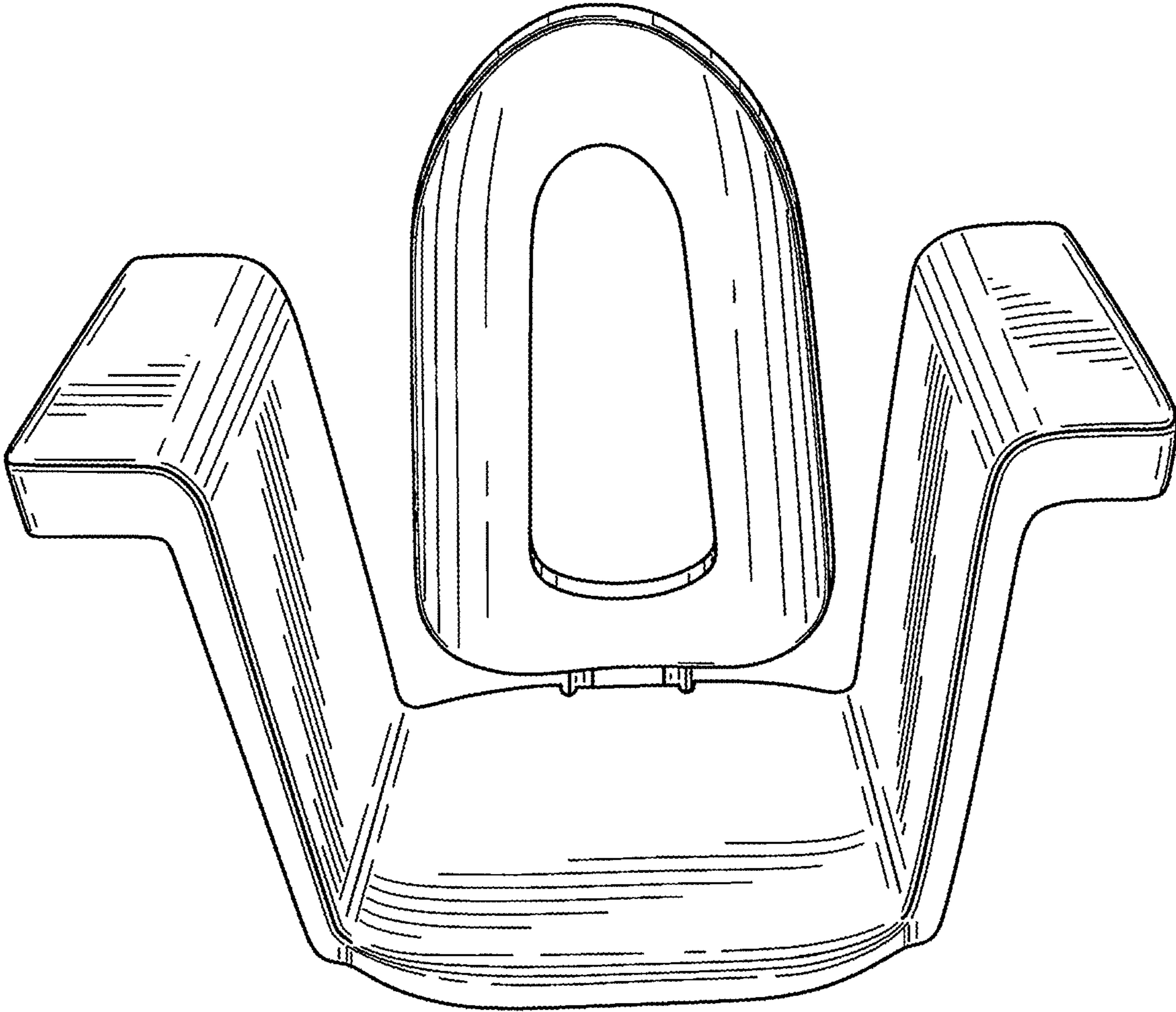


FIG. 3

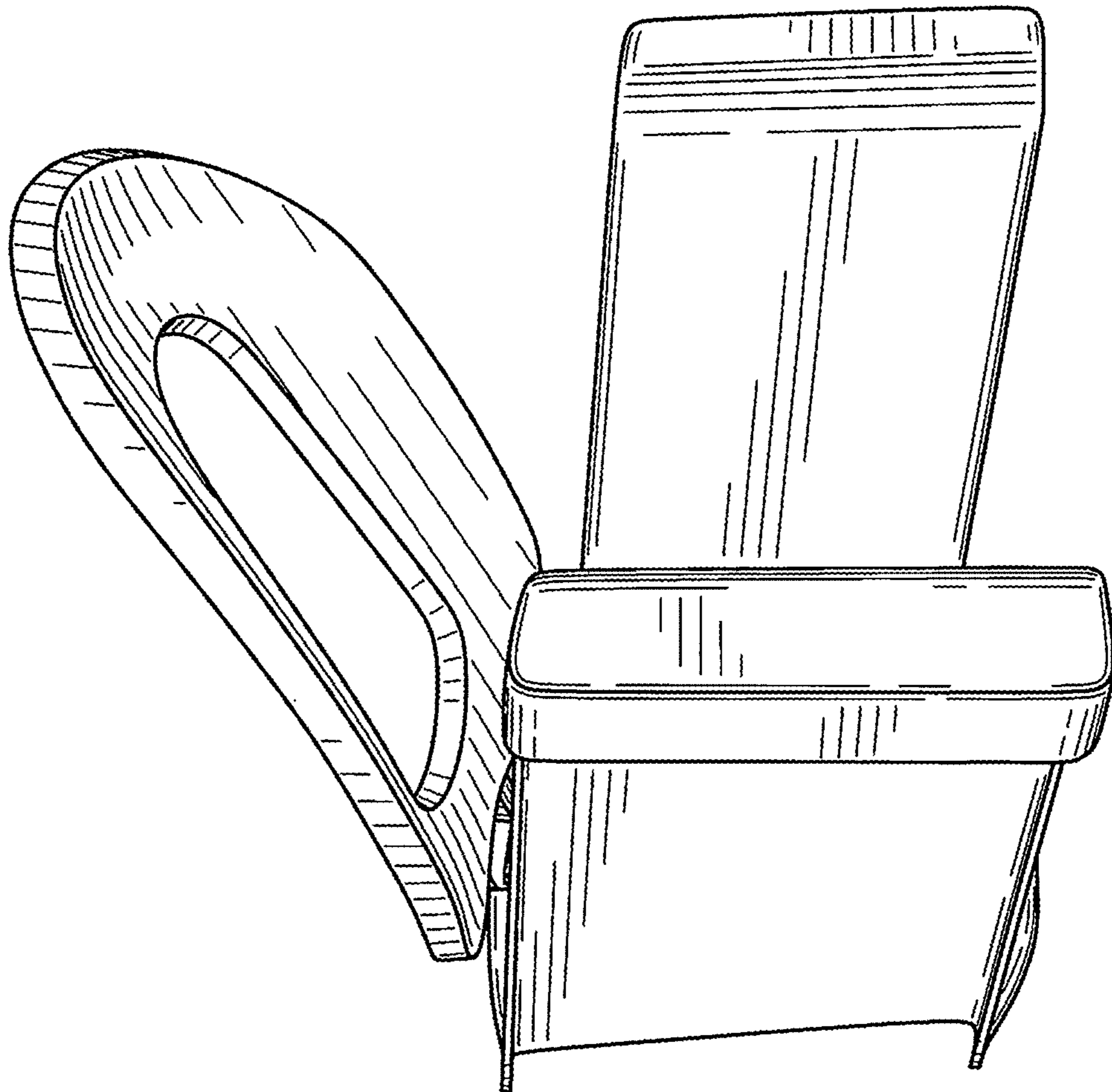


FIG. 4

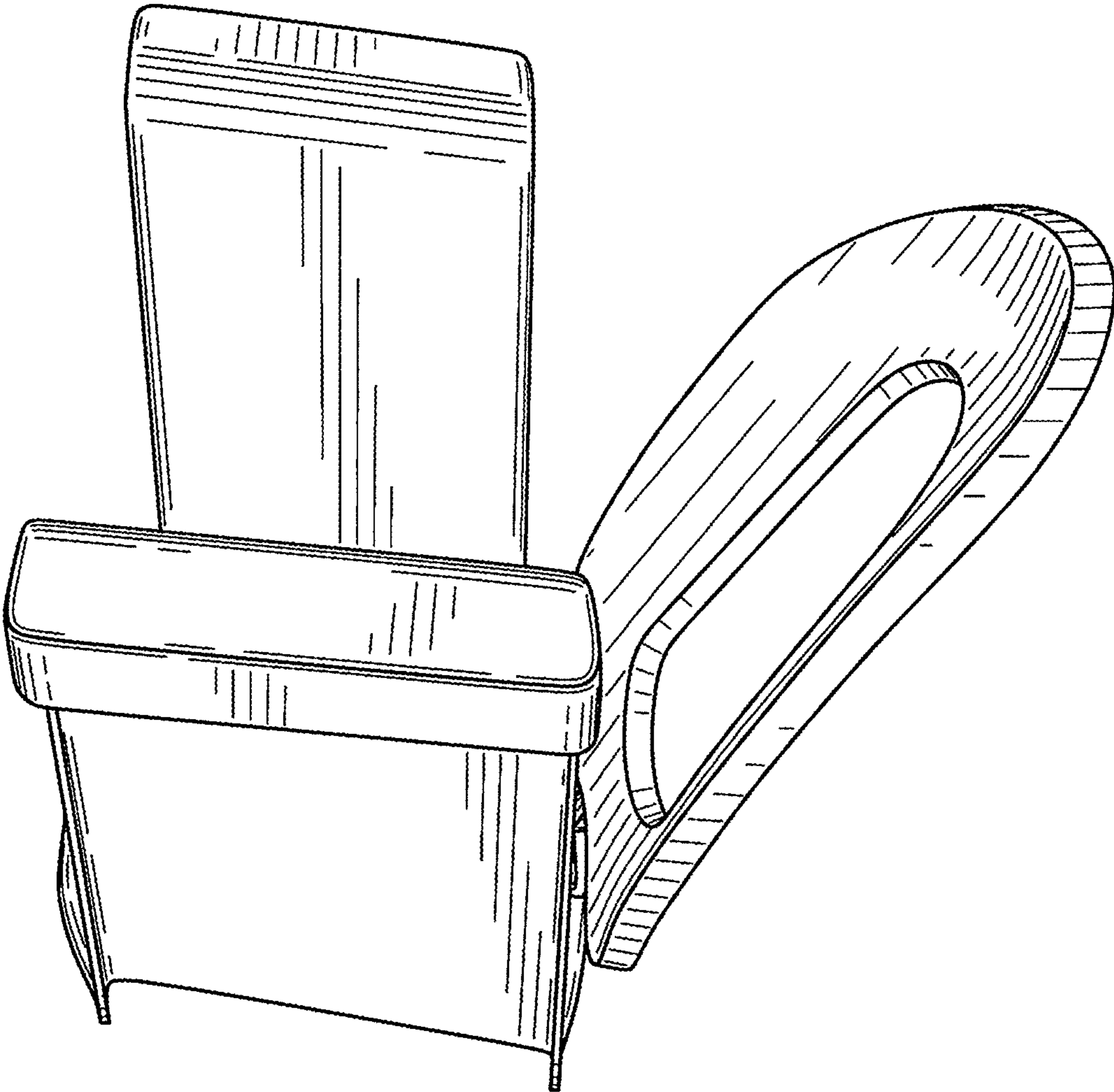


FIG. 5