



US00D886961S

(12) **United States Design Patent**  
**Kobayashi et al.**

(10) **Patent No.:** **US D886,961 S**  
(45) **Date of Patent:** **\*\* Jun. 9, 2020**

(54) **WASHBASIN**  
(71) Applicant: **LIXIL Corporation**, Tokyo (JP)  
(72) Inventors: **Hiroshi Kobayashi**, Tokyo (JP);  
**Kanoko Misawa**, Tokyo (JP)

D585,127 S 1/2009 Thalmann Gomez et al.  
D588,244 S 3/2009 Lee et al.  
D592,292 S 5/2009 Kakihana et al.  
D745,122 S 12/2015 Schonherr et al.  
D811,561 S 2/2018 Yoshioka et al.  
D815,260 S 4/2018 Moller et al.

(73) Assignee: **LIXIL Corporation**, Tokyo (JP)

**OTHER PUBLICATIONS**

(\*\*) Term: **15 Years**

Ceramica Cielo S.p.A., Web Page <<http://www.ceramicacielo.it/ita/tech/easy.php?cod=EASLA80>>, Published Jan. 7, 2011 to Jan. 14, 2011, 1 page; webpage cited at p. 4 of Japanese Patent Office Action in counterpart application No. 2018-011310.

(21) Appl. No.: **29/719,352**

(22) Filed: **Jan. 3, 2020**

*Primary Examiner* — Robert A Delehanty

**Related U.S. Application Data**

(74) *Attorney, Agent, or Firm* — Sughrue Mion, PLLC

(62) Division of application No. 29/670,809, filed on Nov. 20, 2018.

(57) **CLAIM**

(30) **Foreign Application Priority Data**

The ornamental design for a washbasin, as shown and described.

May 23, 2018 (JP) ..... 2018-011306  
May 23, 2018 (JP) ..... 2018-011307  
May 23, 2018 (JP) ..... 2018-011308  
May 23, 2018 (JP) ..... 2018-011309

**DESCRIPTION**

(51) **LOC (12) Cl.** ..... **23-02**

(52) **U.S. Cl.**  
USPC ..... **D23/284**

(58) **Field of Classification Search**  
USPC ..... D23/284, 293.1, 308, 285–292  
See application file for complete search history.

FIG. 1 is a perspective view of a washbasin.  
FIG. 2 is a top plan view thereof.  
FIG. 3 is a bottom plan view thereof.  
FIG. 4 is a front elevation view thereof.  
FIG. 5 is a rear elevation view thereof.  
FIG. 6 is a right side elevation view thereof.  
FIG. 7 is a left side elevation view thereof.  
FIG. 8 is a cross-sectional view taken along the line 8-8 in FIG. 4; and,  
FIG. 9 is a cross-sectional view taken along the line 9-9 in FIG. 2.  
The dark portions in cross-sectional FIGS. 8 and 9 form no part of the claimed design.

(56) **References Cited**

**U.S. PATENT DOCUMENTS**

D560,780 S 1/2008 Hanna  
D563,535 S 5/2008 Kergoet et al.

**1 Claim, 9 Drawing Sheets**

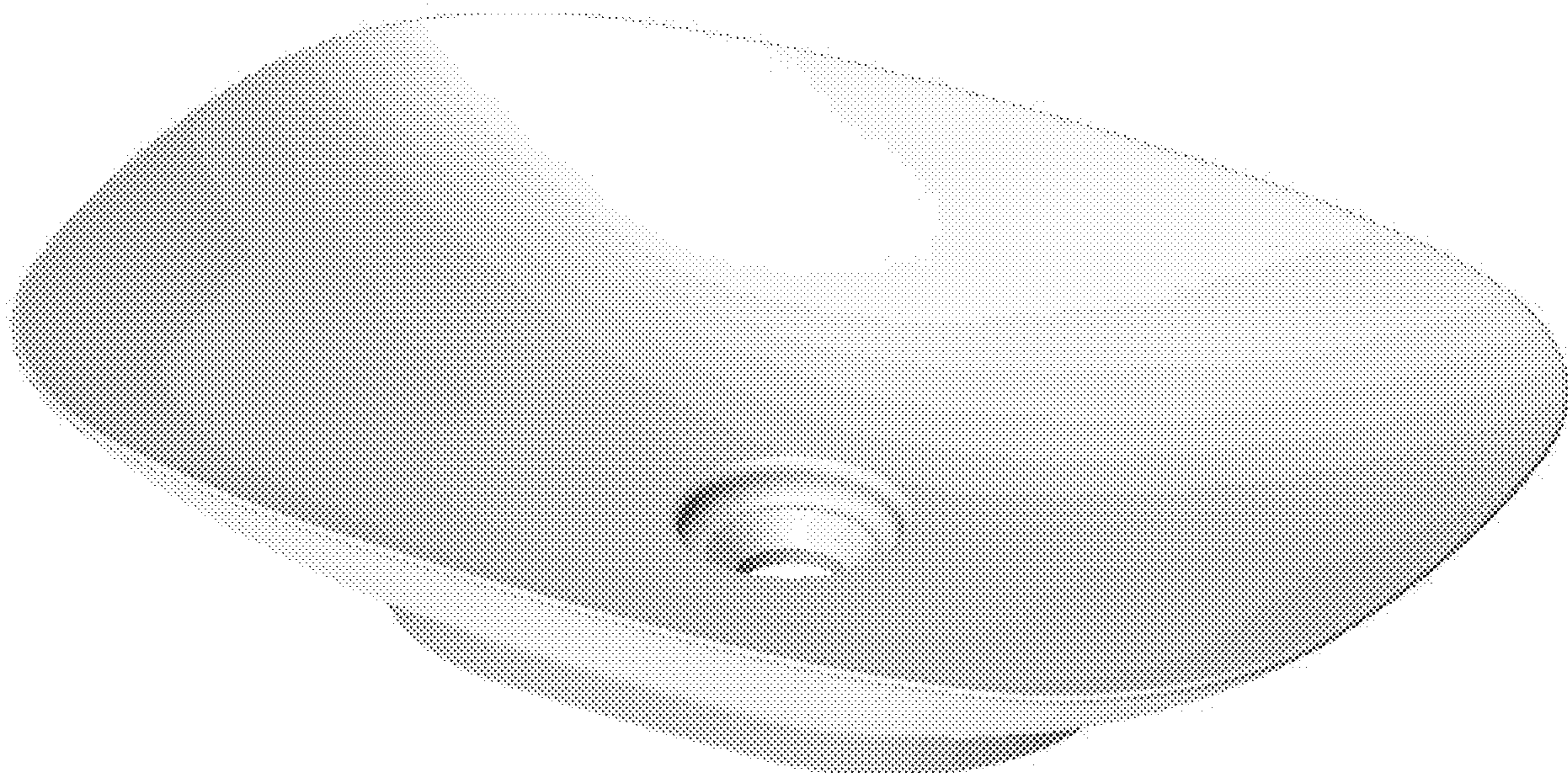


FIG. 1

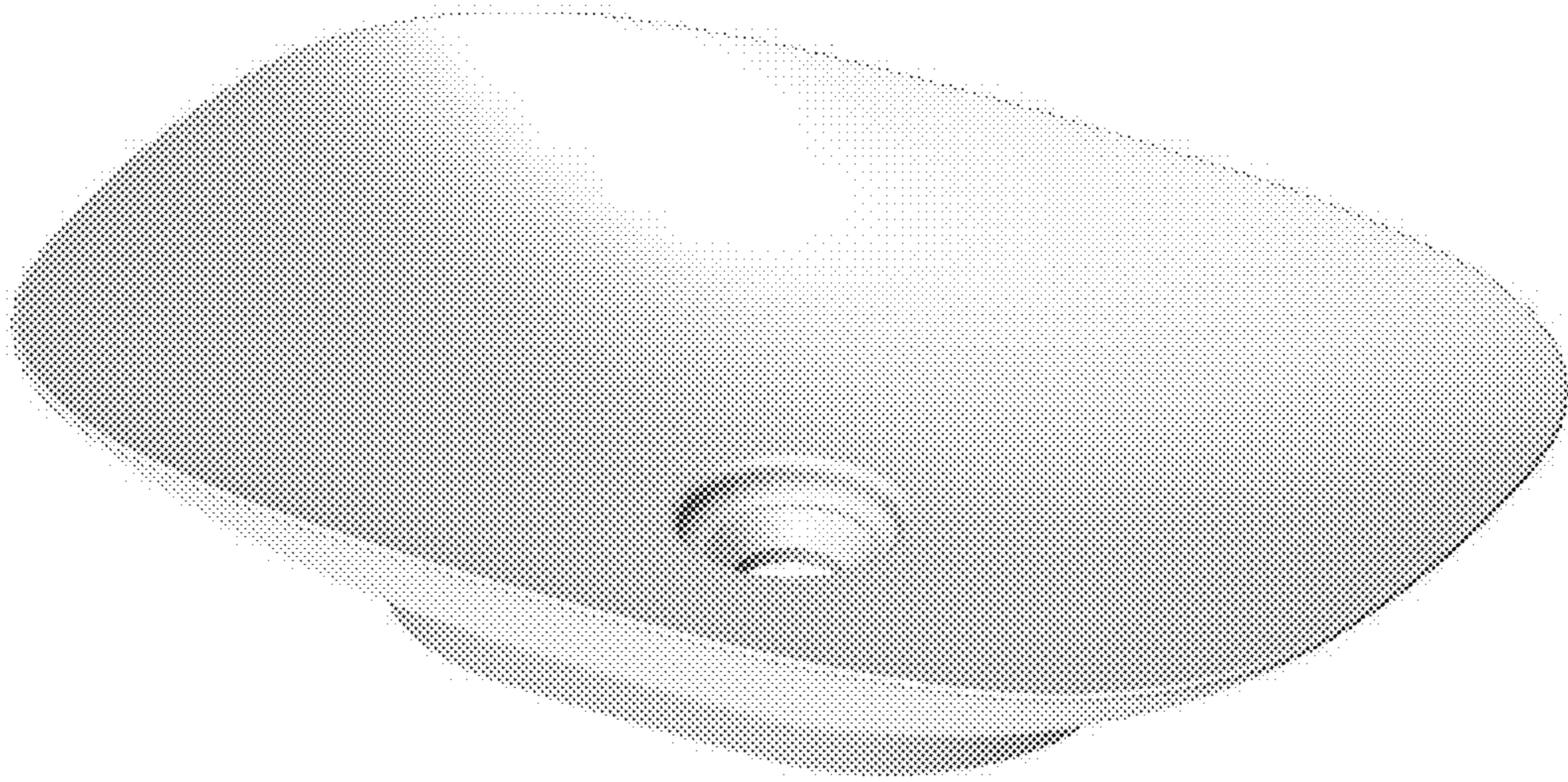


FIG. 2



FIG. 3

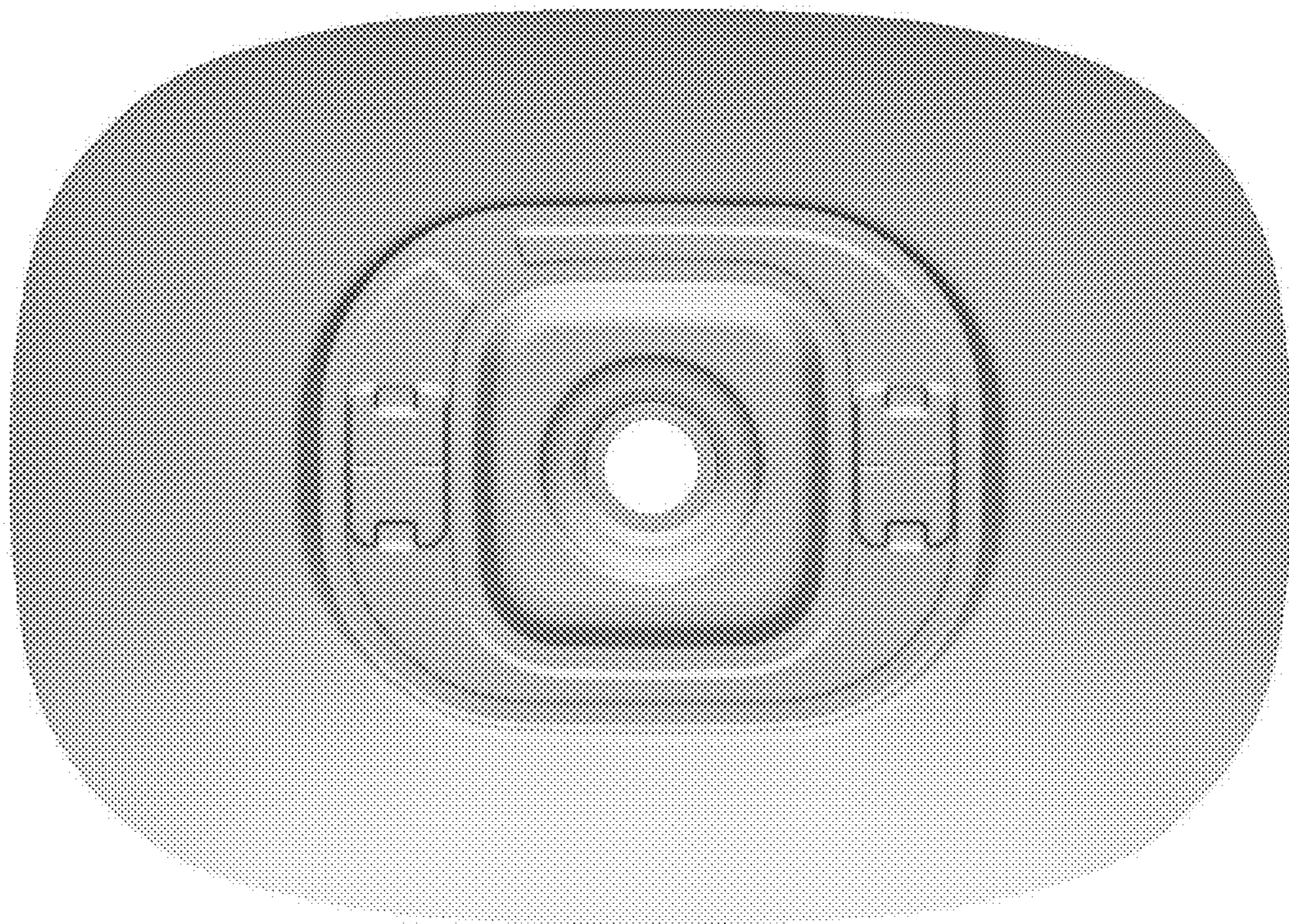


FIG. 4

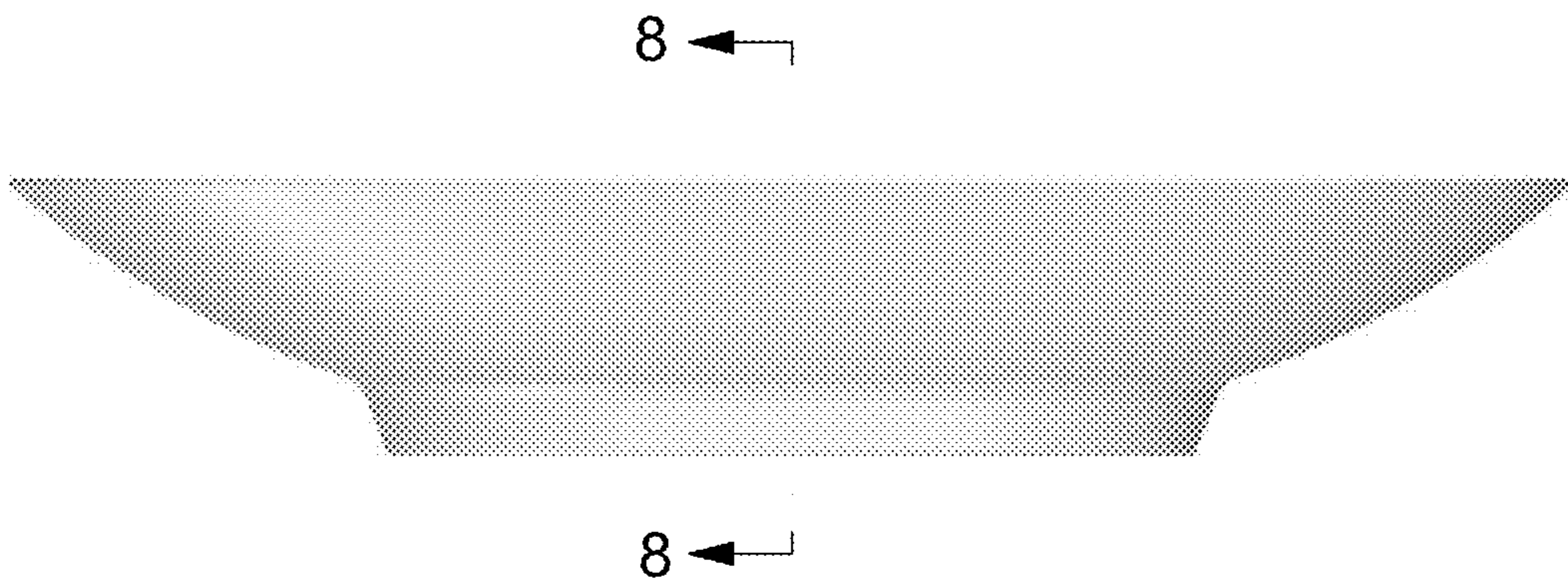


FIG. 5

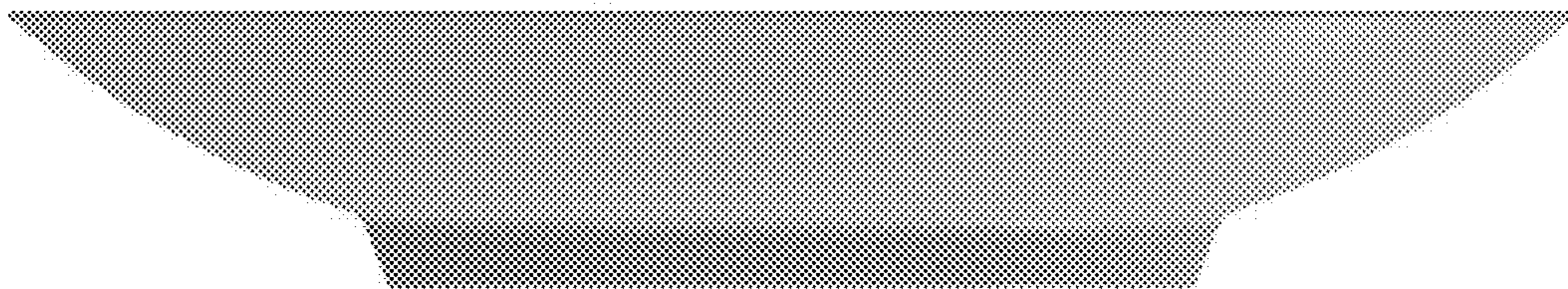


FIG. 6

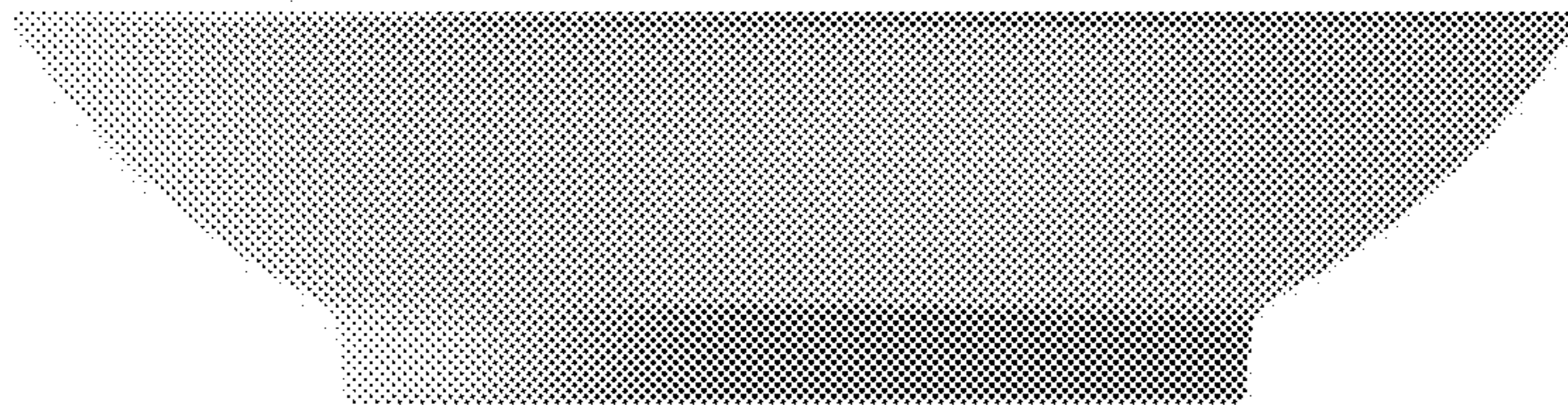


FIG. 7

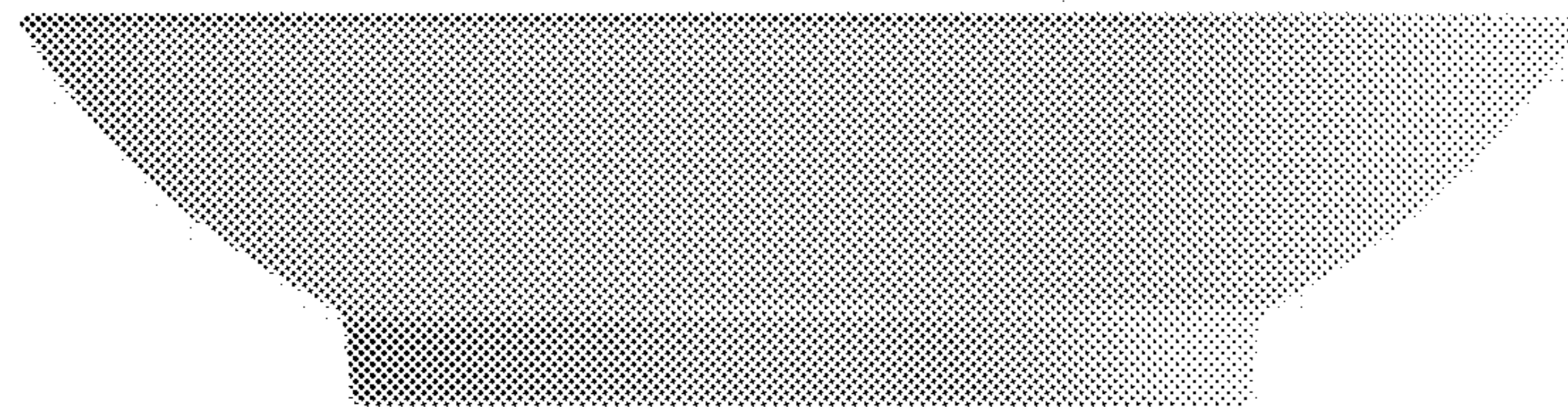




FIG. 8

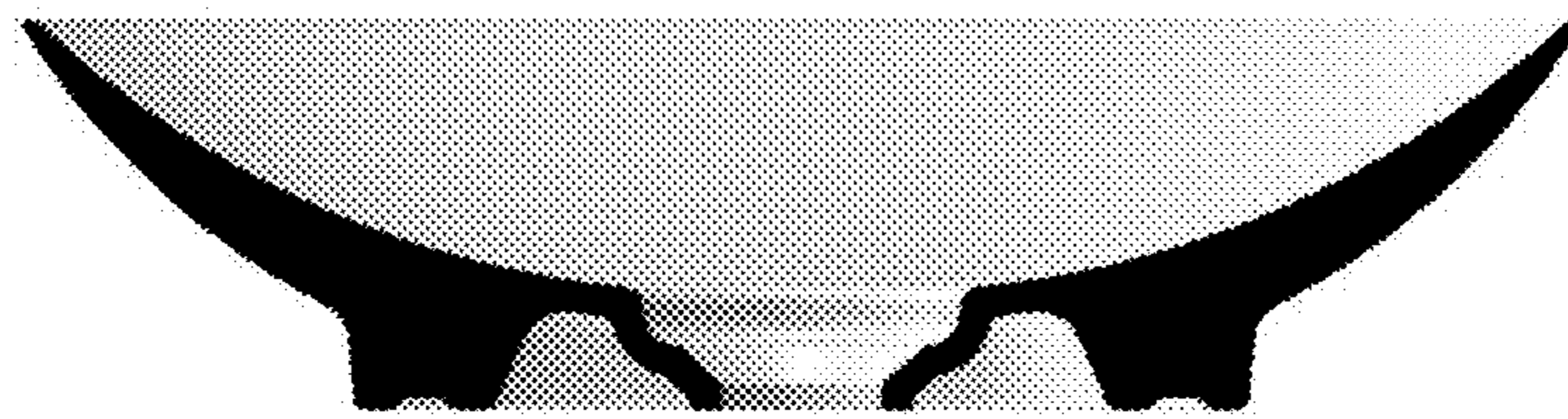


FIG. 9

