



US00D886960S

(12) **United States Design Patent** (10) **Patent No.:** **US D886,960 S**
Goodes et al. (45) **Date of Patent:** **** Jun. 9, 2020**

(54) **BATH WITH BATH CHAIR**

OTHER PUBLICATIONS

(71) Applicant: **Gainsborough Healthcare Group Ltd., Aldridge (GB)**

Gainsborough Bereno Assisted Bath [Jan. 17, 2019] found online [Jan. 17, 2019]—<http://www.gainsboroughbaths.com/baths/bereno/>.*

(72) Inventors: **Dennis Goodes, Aycliffe (GB); Sean O'Malley, Aycliffe (GB)**

Primary Examiner — Cathron C Brooks
Assistant Examiner — John A Voytek

(73) Assignee: **Gainsborough Healthcare Group Ltd., Aldridge (GB)**

(74) *Attorney, Agent, or Firm* — Pierce Atwood LLP; Kevin M. Farrell; Shannon Vittengl

(**) Term: **15 Years**

(57) **CLAIM**

(21) Appl. No.: **29/616,992**

The ornamental design for a bath with bath chair, as shown and described.

(22) Filed: **Sep. 11, 2017**

DESCRIPTION

(51) **LOC (12) Cl.** **23-02**

(52) **U.S. Cl.**
USPC **D23/279**

(58) **Field of Classification Search**
USPC ... D23/277–279, 280.1, 280.2, 280.3, 280.4,
D23/304–307
CPC A47K 3/006; A47K 3/02; A47K 3/022;
E05C 9/16
See application file for complete search history.

FIG. 1 is a front three-quarter perspective view of a bath with bath chair;

FIG. 2 is a rear three-quarter perspective view of the bath with bath chair with raised chair shown in a different configuration of use for clarity of the disclosure;

FIG. 3 is a rear perspective view of the bath with bath chair with raised chair shown in a different configuration of use for clarity of the disclosure;

FIG. 4 is a right side view of the bath with bath chair with raised chair shown in a different configuration of use for clarity of the disclosure;

FIG. 5 is a right side view of the bath with bath chair;

FIG. 6 is a rear perspective view of the bath with bath chair; FIG. 7 is a front three-quarter view of the bath with bath chair;

FIG. 8 is a rear three-quarter view of the bath with bath chair; and,

FIG. 9 is a side perspective view of the bath with bath chair. The dash-dot-dash broken lines in the drawings depict boundaries of the claimed design and form no part of the claim. The evenly spaced broken lines are for the purpose of illustrating portions of the bath with bath chair that form no part of the claim.

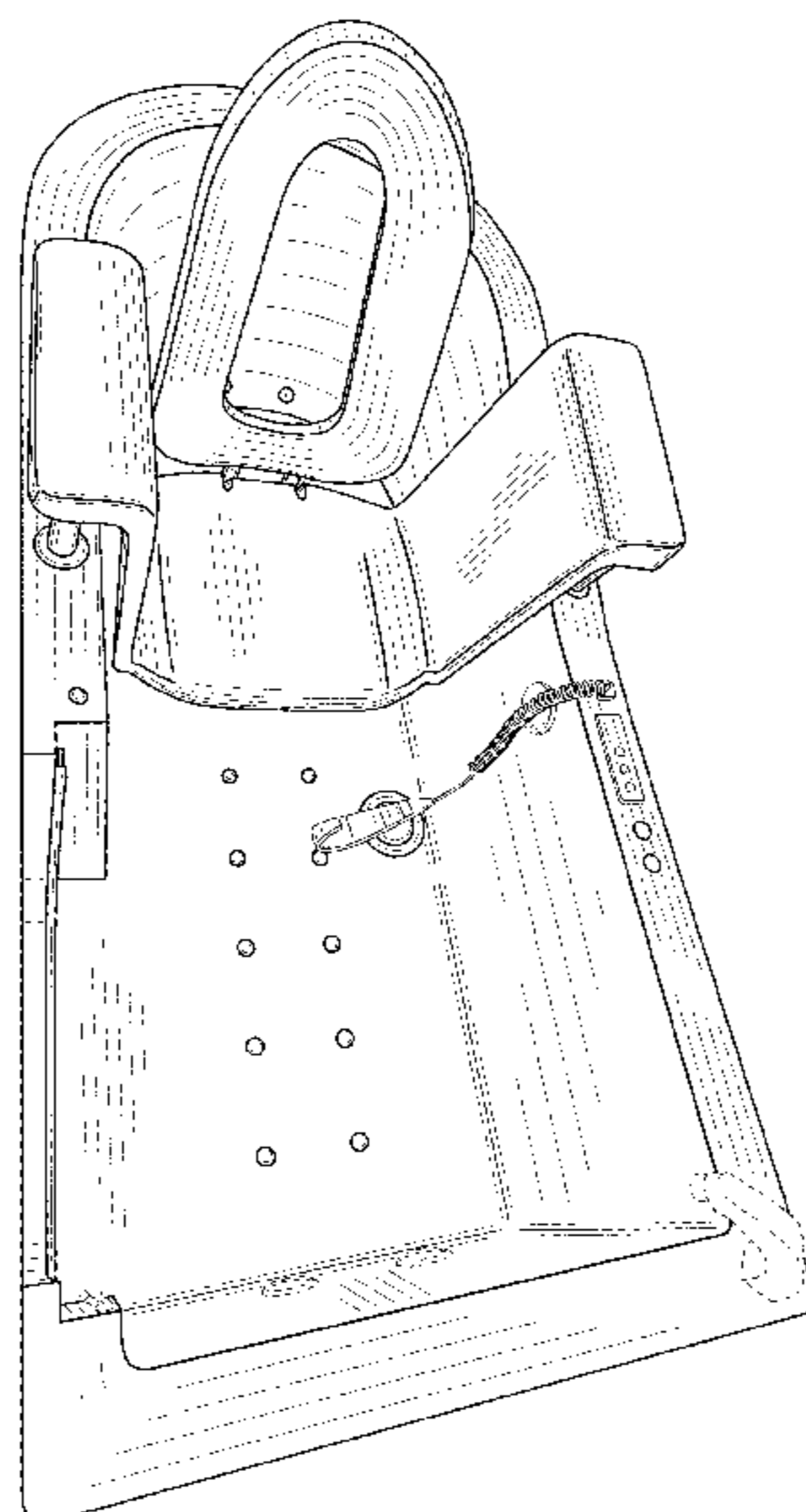
(56) **References Cited**

U.S. PATENT DOCUMENTS

3,879,770	A *	4/1975	Grant	A61G 7/1003 4/563.1
D351,018	S *	9/1994	Bourgraf	D23/279
D354,555	S *	1/1995	Salach	D23/277
D355,245	S *	2/1995	Sills	D23/279
D362,714	S *	9/1995	Colussi	D23/277
D469,860	S *	2/2003	Riemer	D23/278
6,804,842	B1 *	10/2004	Johnson	A47K 3/125 4/578.1
D502,989	S *	3/2005	Turcotte	D23/277
D509,886	S *	9/2005	Lucchese	D23/277
D532,490	S *	11/2006	Despres	D23/277
D573,700	S *	7/2008	Clarke	D23/279

(Continued)

1 Claim, 9 Drawing Sheets



(56)

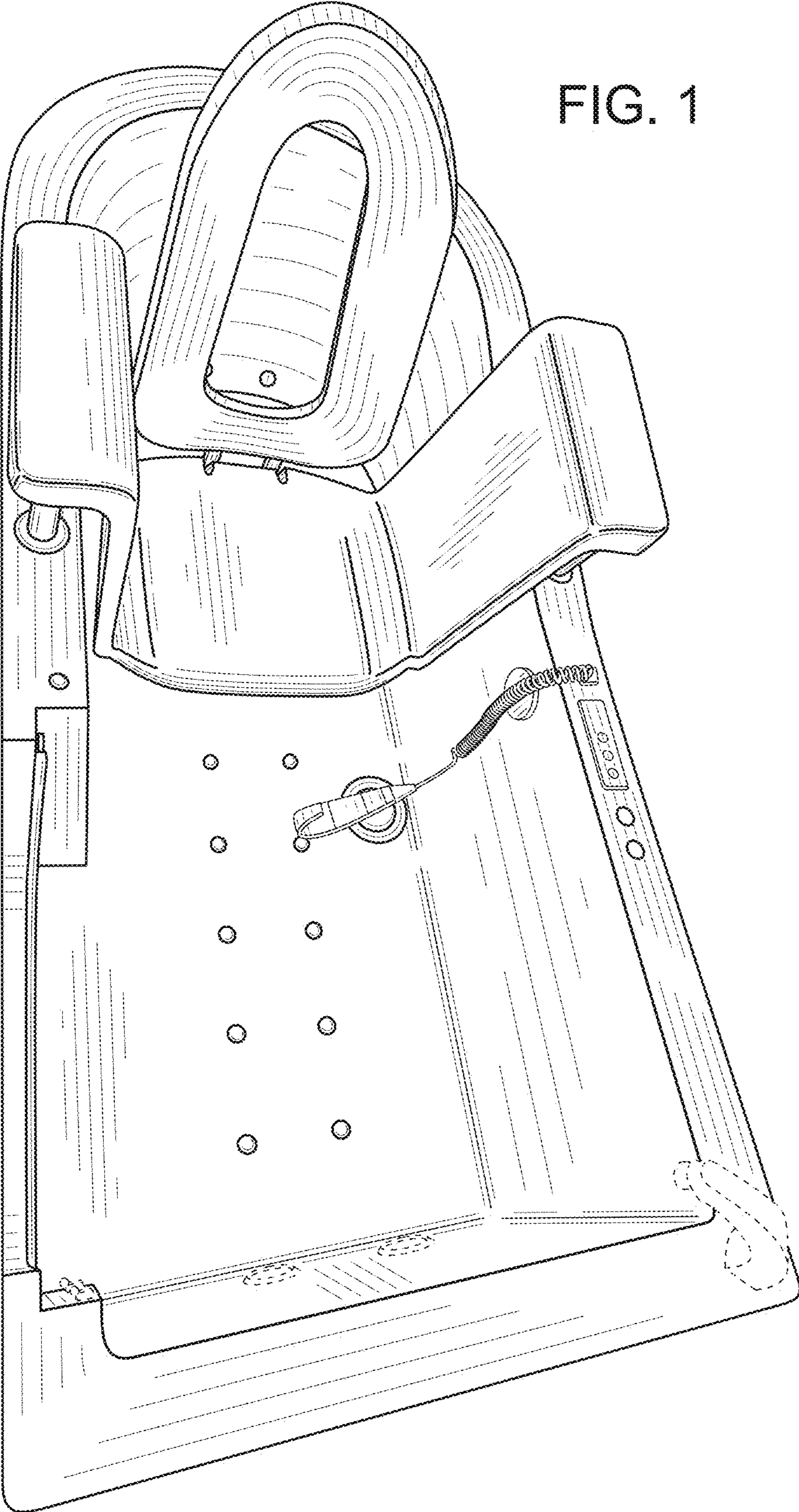
References Cited

U.S. PATENT DOCUMENTS

D577,108	S *	9/2008	Piatt	D23/277
D595,059	S *	6/2009	Ton	D6/336
D613,835	S *	4/2010	Hoh	D23/279
D736,940	S *	8/2015	McKay	D24/204
2003/0019029	A1 *	1/2003	Sherlock	A61G 7/1003 4/560.1
2004/0098801	A1 *	5/2004	Sherlock	A61G 7/1003 4/579
2011/0056013	A1 *	3/2011	Seymour	A47K 3/006 4/560.1
2011/0131720	A1 *	6/2011	Dean	A47K 3/12 4/564.1

* cited by examiner

FIG. 1



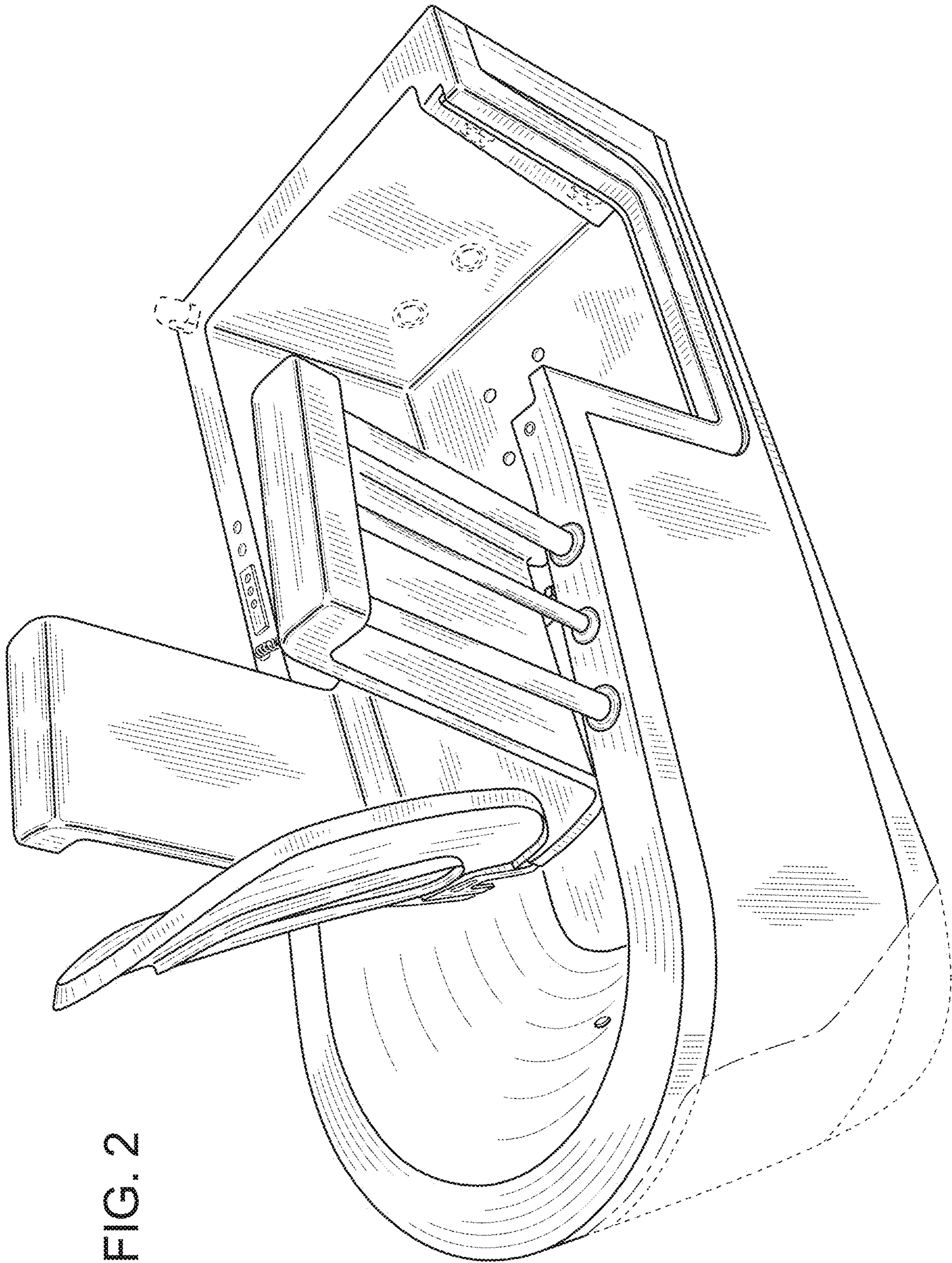


FIG. 2

FIG. 3

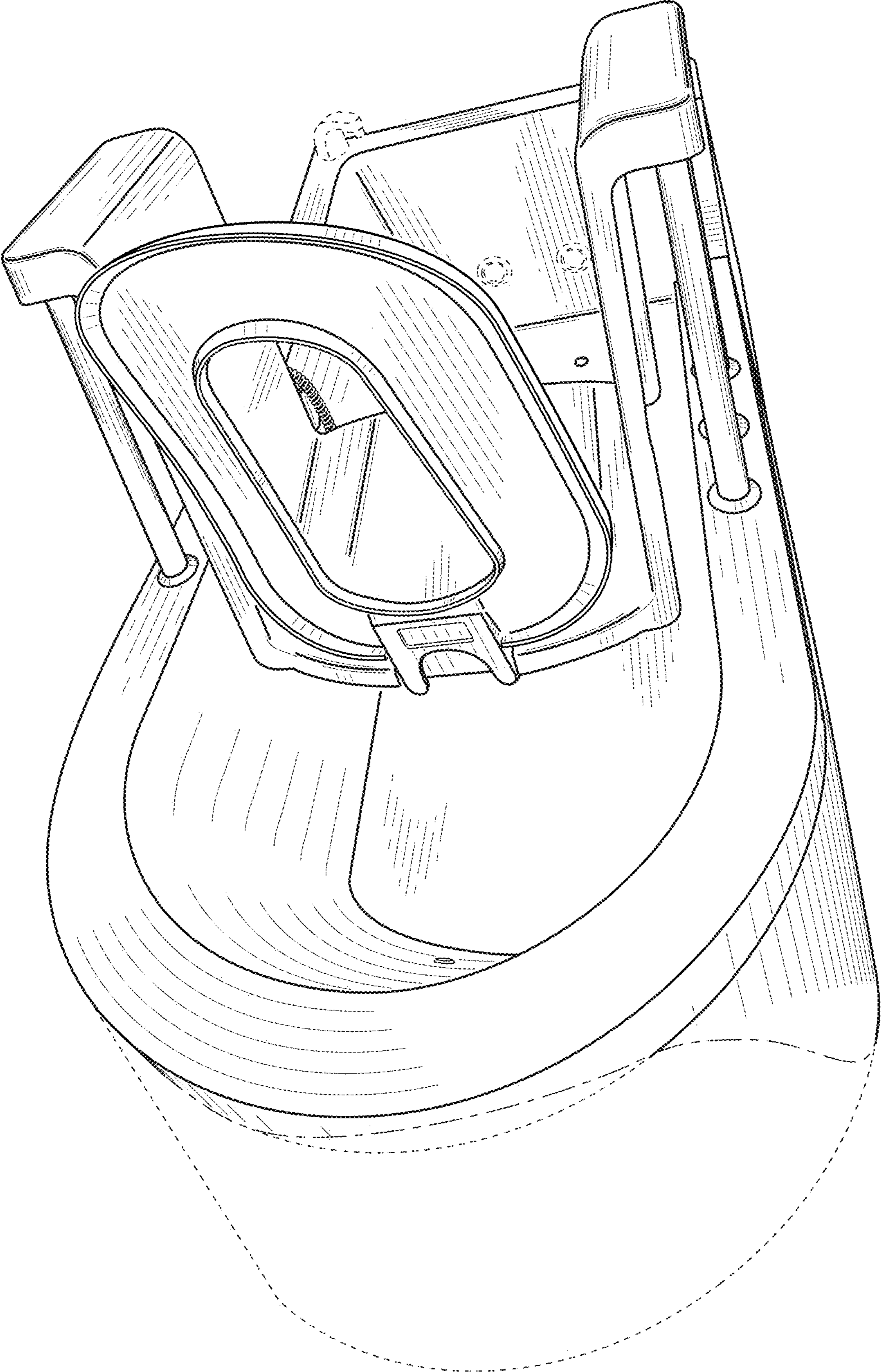


FIG. 4

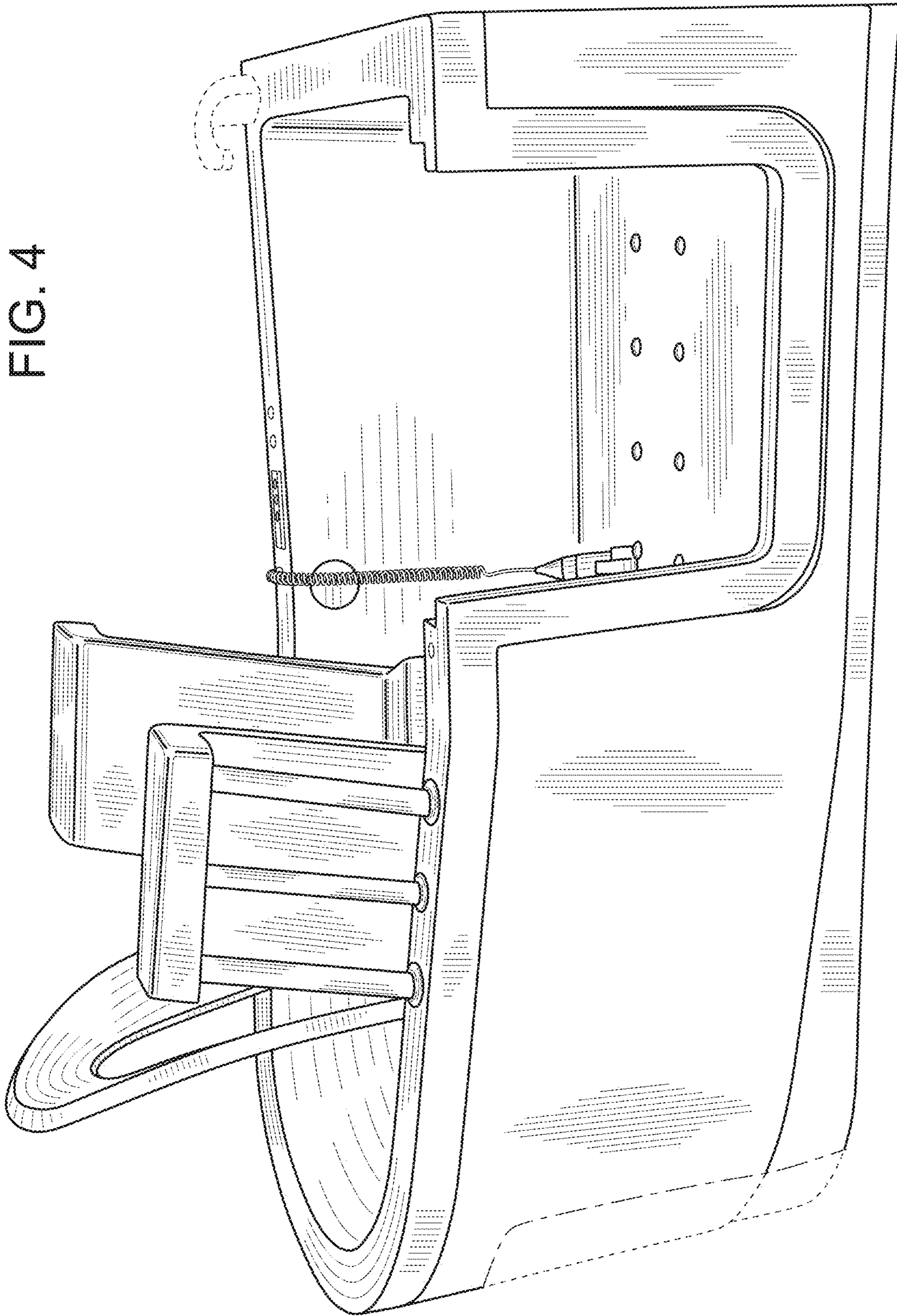


FIG. 5

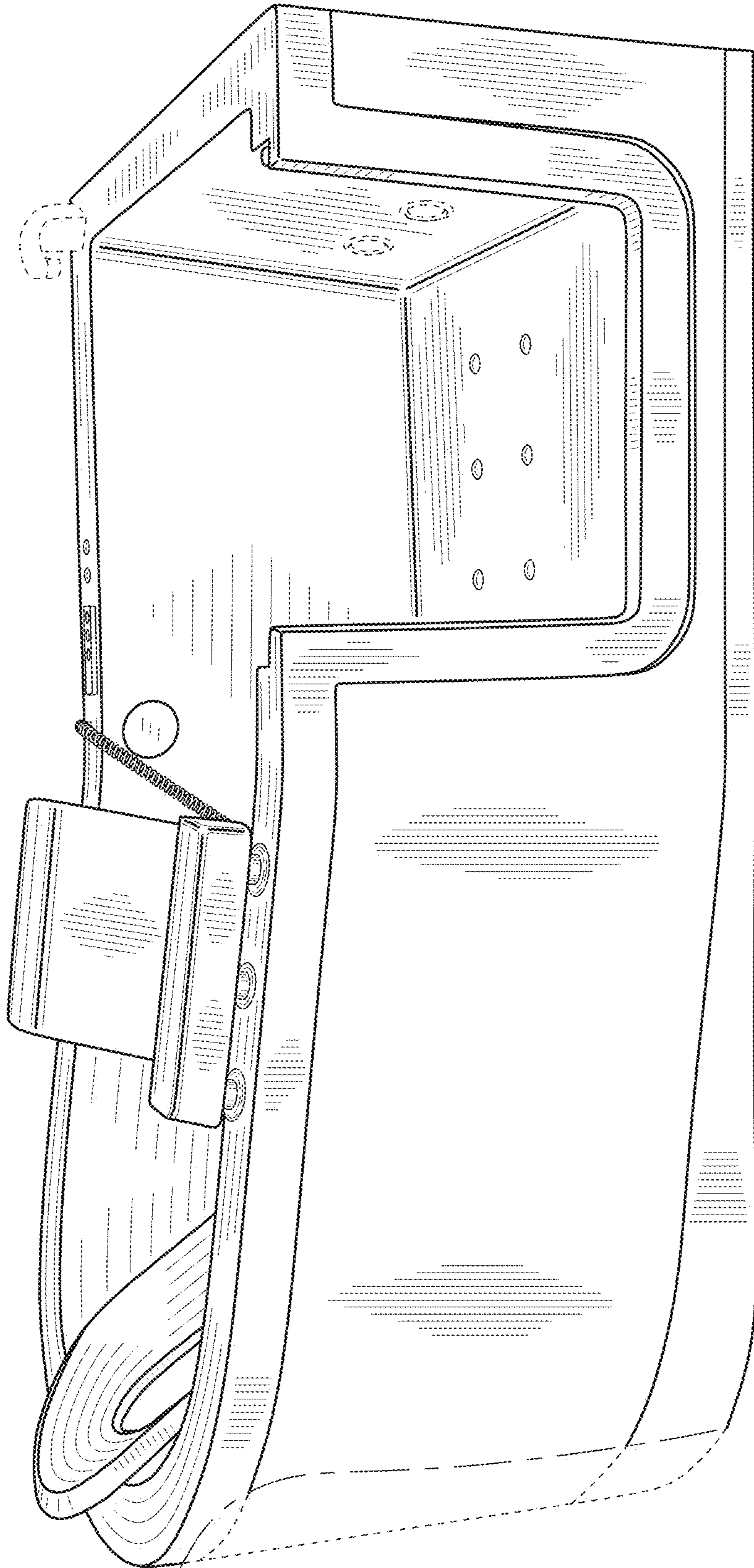
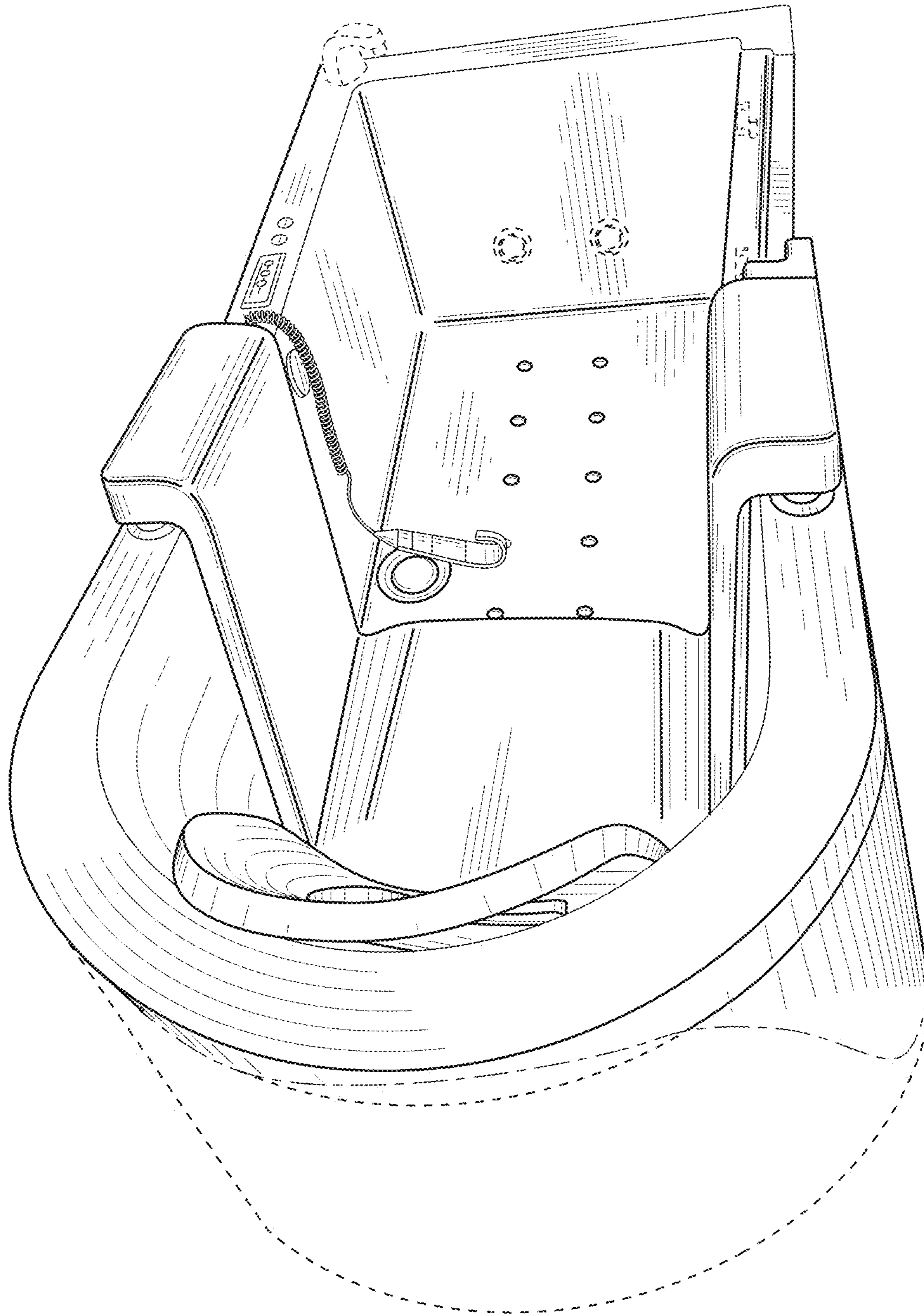


FIG. 6



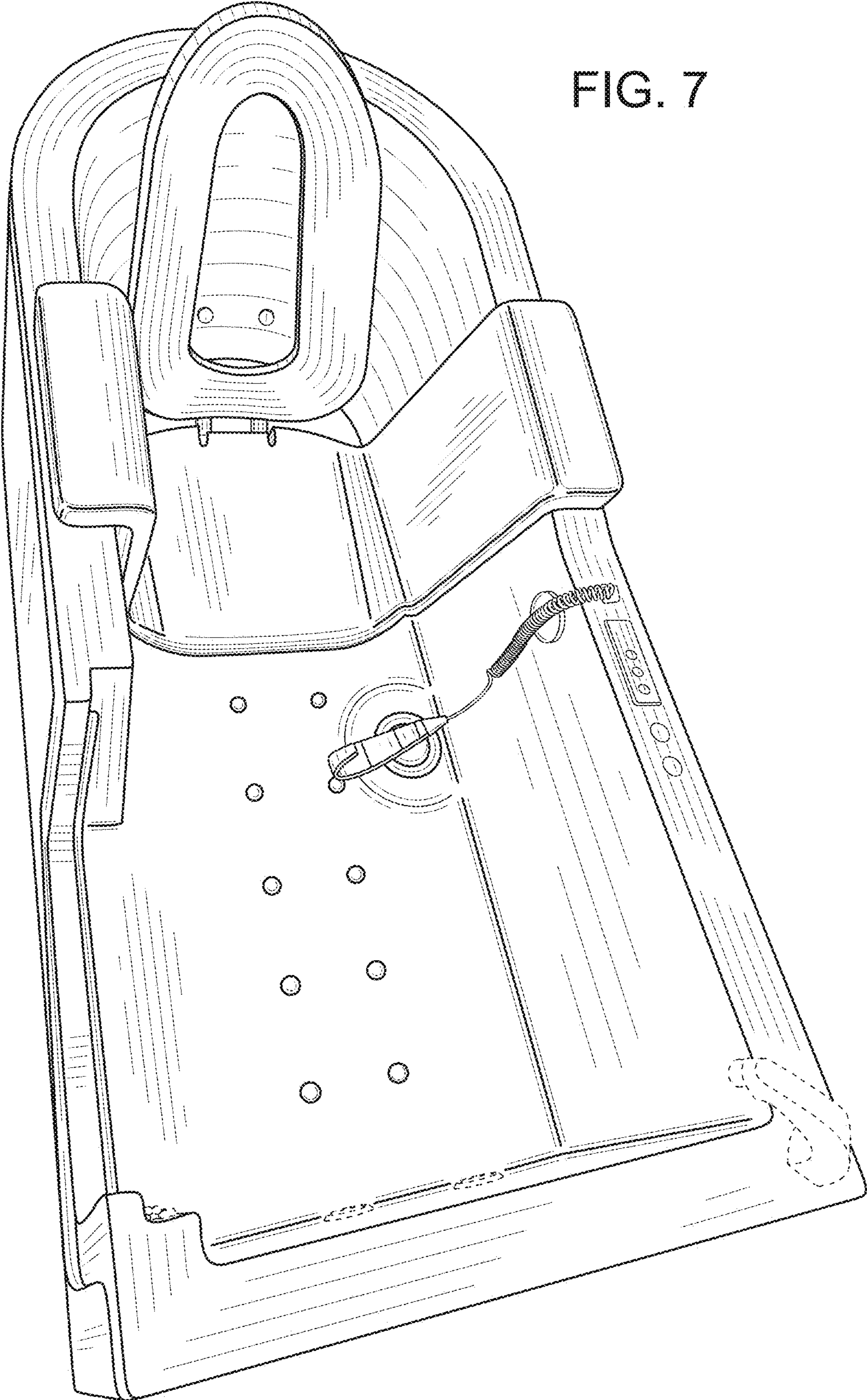


FIG. 7

FIG. 8

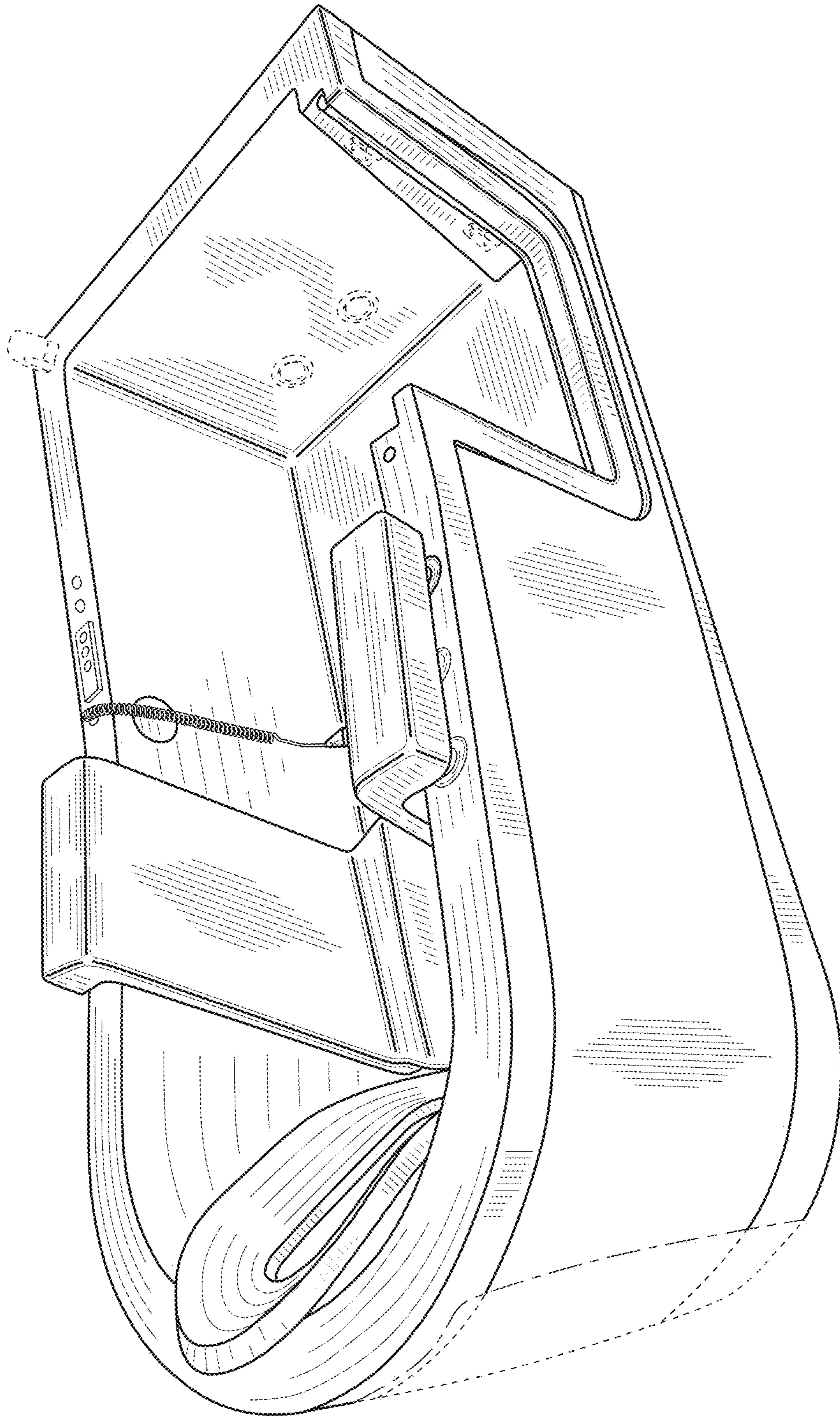


FIG. 9

