



US00D886959S

(12) **United States Design Patent** (10) **Patent No.:** **US D886,959 S**
Bucher (45) **Date of Patent:** **** Jun. 9, 2020**

(54) **BATHTUB**

(71) Applicant: **AS IP HOLDCO, LLC**, Piscataway, NJ (US)

(72) Inventor: **Christophe Bucher**, Hillsborough, NJ (US)

(73) Assignee: **AS AMERICA, INC.**, Piscataway, NJ (US)

(**) Term: **15 Years**

(21) Appl. No.: **29/623,669**

(22) Filed: **Oct. 26, 2017**

(51) **LOC (12) Cl.** **23-02**

(52) **U.S. Cl.**
USPC **D23/277**

(58) **Field of Classification Search**
USPC ... D23/277-279, 280.1, 280.2, 280.3, 280.4, D23/304-307
CPC A47K 3/006; A47K 3/02; A47K 3/022; E05C 9/16
See application file for complete search history.

(56) **References Cited**

U.S. PATENT DOCUMENTS

D335,701 S *	5/1993	Zaccai	D23/277
D527,083 S *	8/2006	Lebrun	D23/280.1
D560,768 S	1/2008	Smith		
D633,603 S *	3/2011	Su	D23/280.1
D697,182 S *	1/2014	Lutz	D23/277
D698,905 S *	2/2014	Ziemann	D23/293.1
D705,404 S *	5/2014	Anzellini	D23/293.1
D716,918 S *	11/2014	Kuch	D23/284
D725,754 S	3/2015	Spangler		
D728,760 S	5/2015	Spangler		
D737,416 S *	8/2015	Ahmes	A47K 3/04 D23/277
D747,446 S *	1/2016	Yoshioka	D23/277

D783,853 S *	4/2017	Collins	D24/205
D814,615 S *	4/2018	Ziemann	D23/293.1
D834,157 S *	11/2018	L'Henaff	D23/277
2012/0029400 A1 *	2/2012	Moretto	A61H 23/0263 601/55

OTHER PUBLICATIONS

American Standard Tofino reference [Jan. 22, 2019] found online [Jan. 22, 2019]—<https://www.lowes.com/pd/American-Standard-Tofino-31-49-in-White-Acrylic-Rectangular-Center-Drain-Freestanding-Bathtub/50292489>.*

(Continued)

Primary Examiner — Michael C Stout
Assistant Examiner — John A Voytek
(74) *Attorney, Agent, or Firm* — Morgan, Lewis & Bockius LLP

(57) **CLAIM**

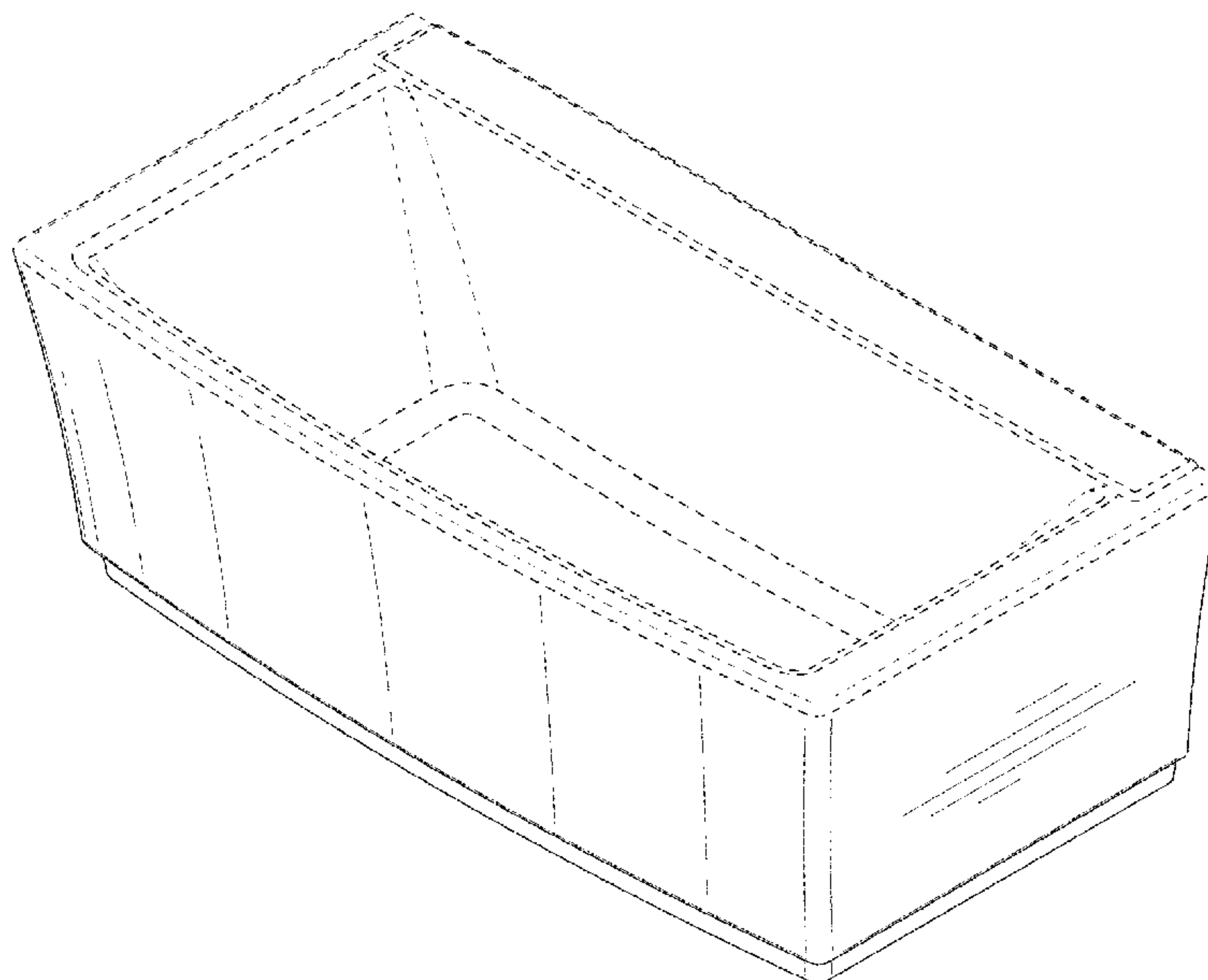
The ornamental design for a bathtub, as shown and described.

DESCRIPTION

FIG. 1 is a perspective view of a bathtub showing my new design;
FIG. 2 is a front elevational view of the bathtub shown in FIG. 1;
FIG. 3 is a left-side elevational view of the bathtub shown in FIG. 1;
FIG. 4 is a right-side elevational view of the bathtub shown in FIG. 1;
FIG. 5 is a top plan view of the bathtub shown in FIG. 1; and,
FIG. 6 is a bottom plan view of the bathtub shown in FIG. 1.

The broken lines immediately adjacent the shaded areas represent the bounds of the claimed design, while all other broken lines depict portions of the article that form no part of the claimed design.

1 Claim, 4 Drawing Sheets



(56)

References Cited

OTHER PUBLICATIONS

Lush Free Standing Bathtub (VA1045); http://www.valleyacrylic.com/store/index.php?route=product/product&product_id=619&search=lush&description=true, downloaded Oct. 5, 2017.

OMSA Professional Acrylic Bathtub Manufacturer; <http://en.chinaomsa.com/product.asp>, downloaded Oct. 5, 2017.

Fleurco Sonnet Acrylic bathtub; http://designashower.com/uploads/tub/spec_pdf/30/Sonnet_BSO6039_Gen_Specs.pdf, downloaded Oct. 5, 2017.

Victoria + Albert Eldon bathtub; <https://vandabaths.com/us/americas/product/eldon/>, downloaded Oct. 5, 2017.

* cited by examiner

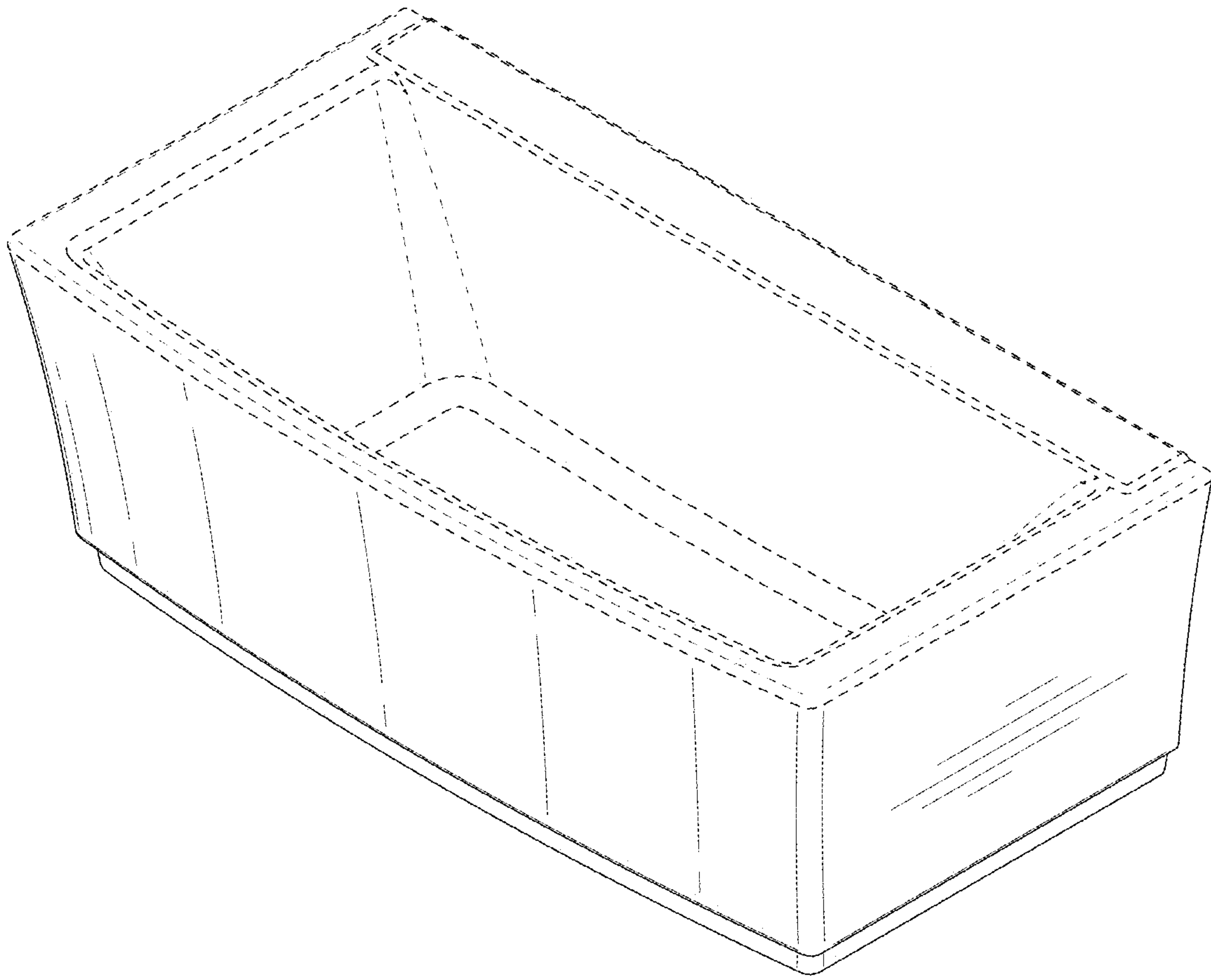


FIG. 1

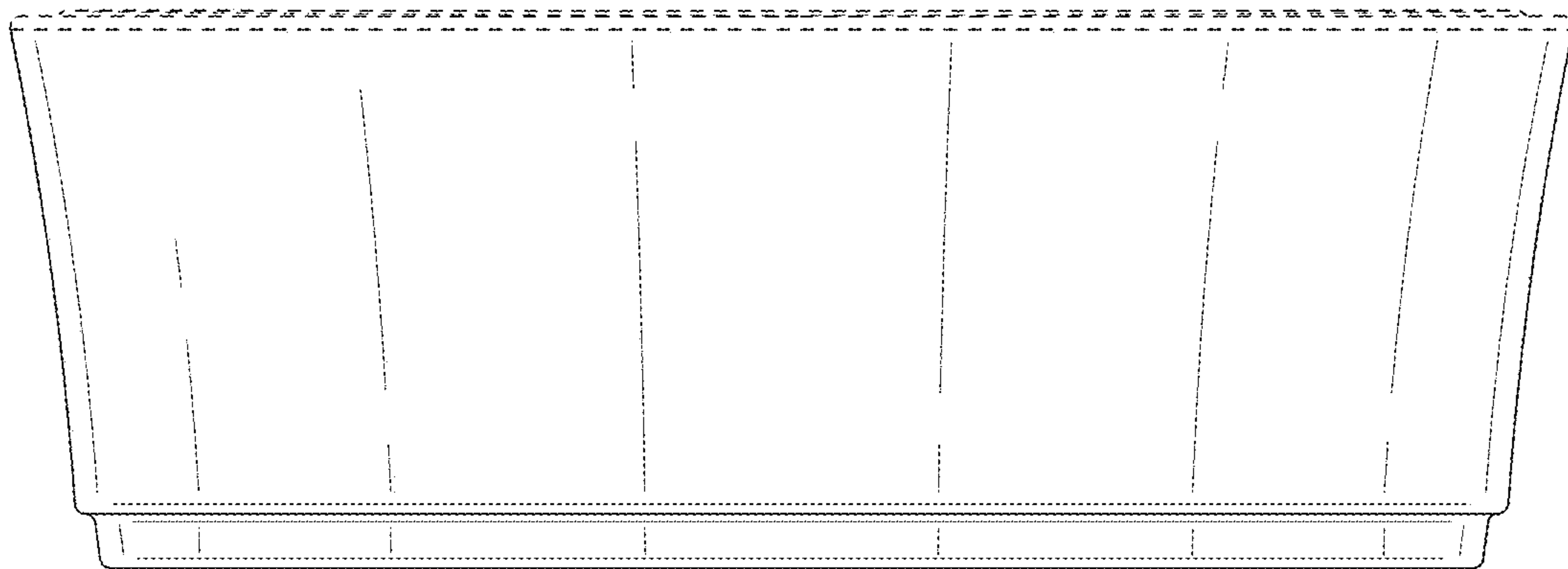


FIG. 2

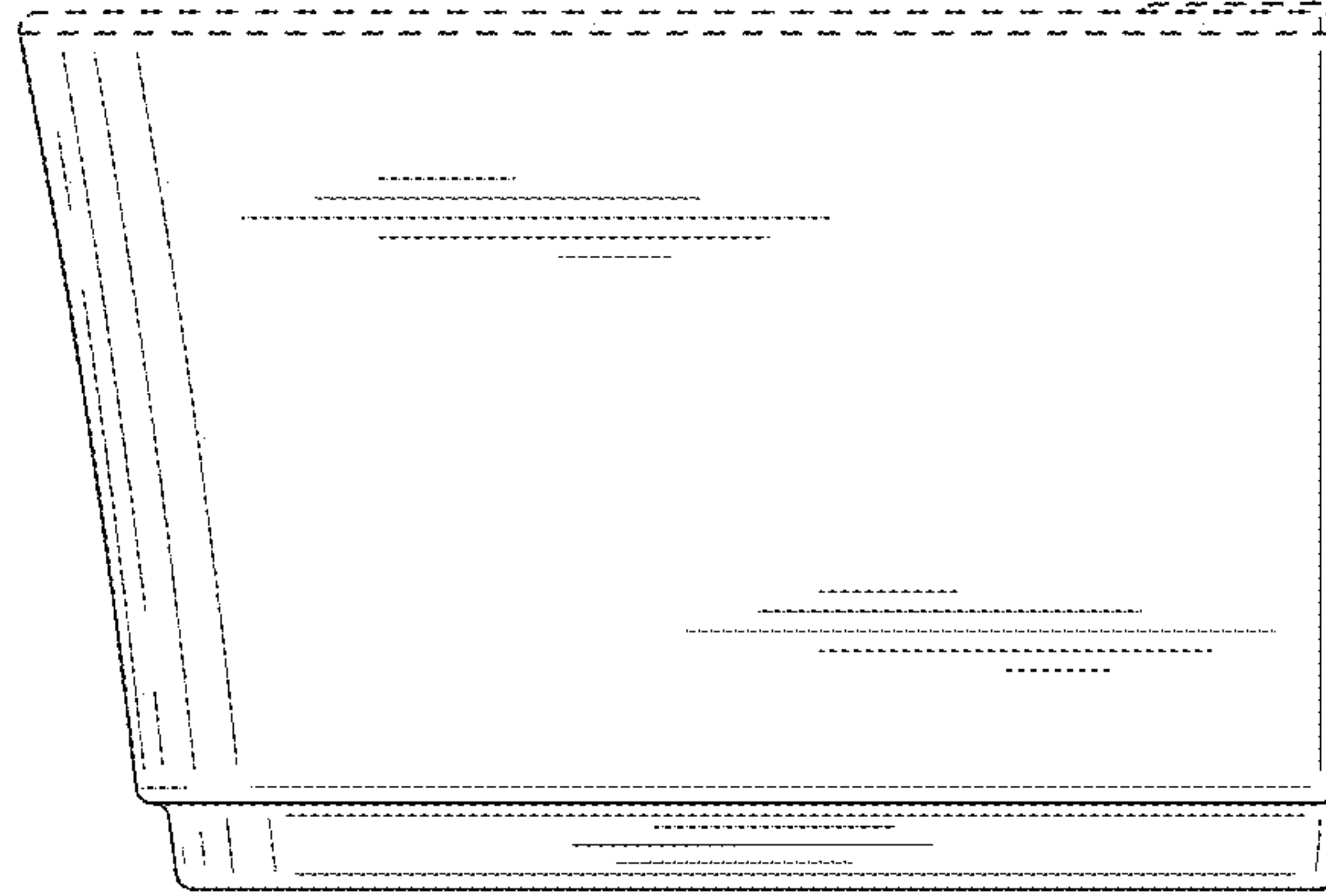


FIG. 3

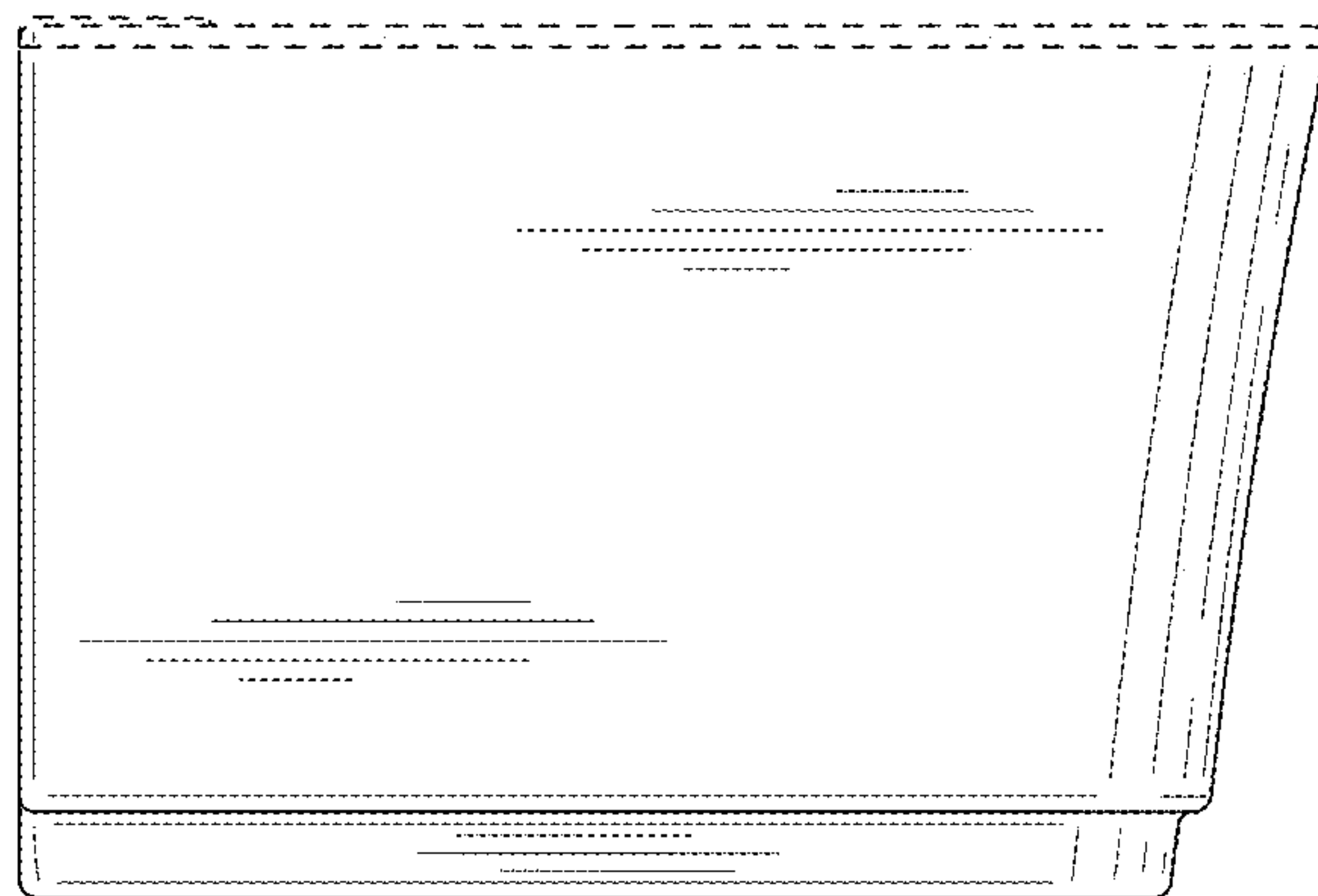


FIG. 4

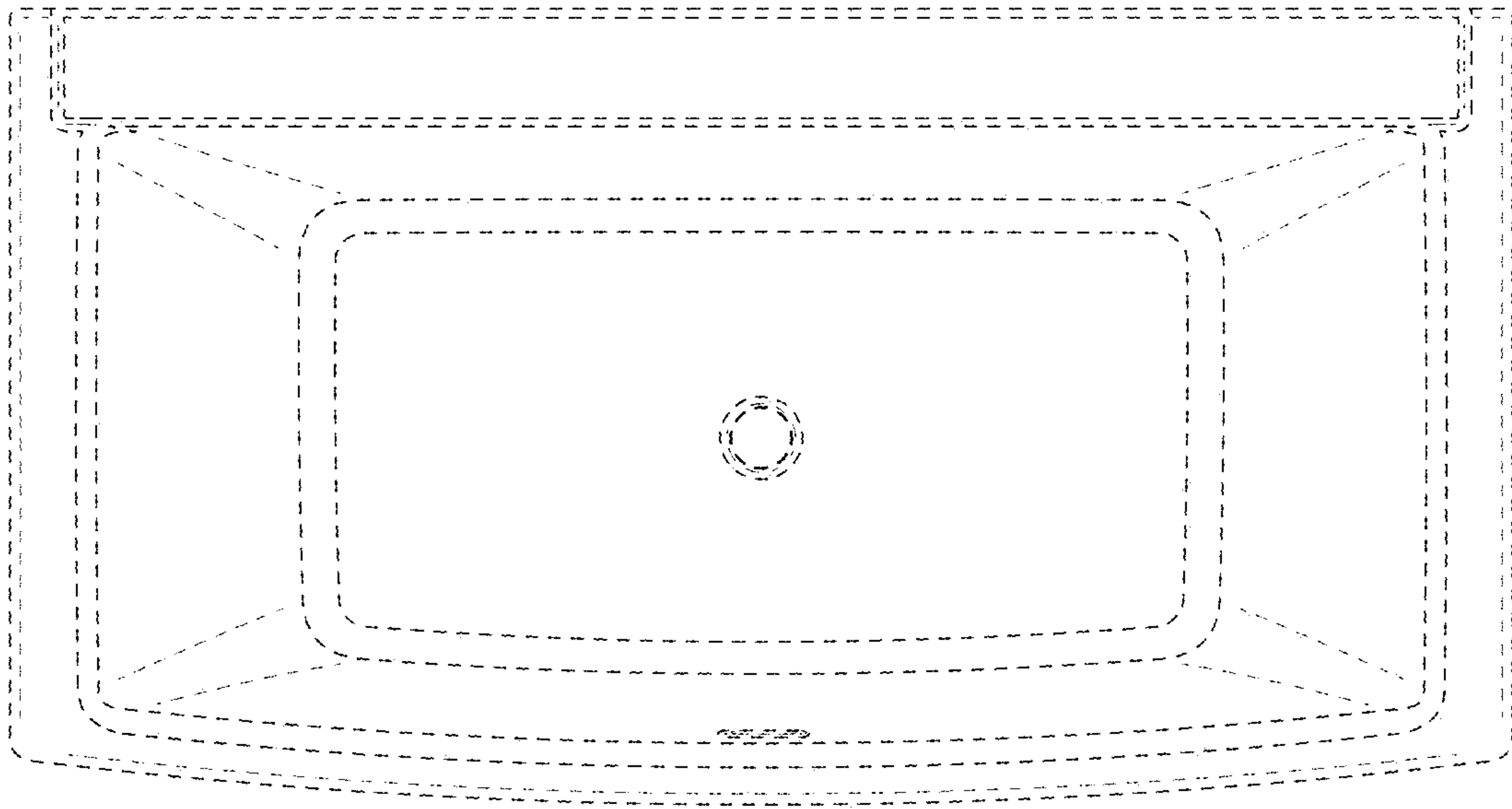


FIG. 5

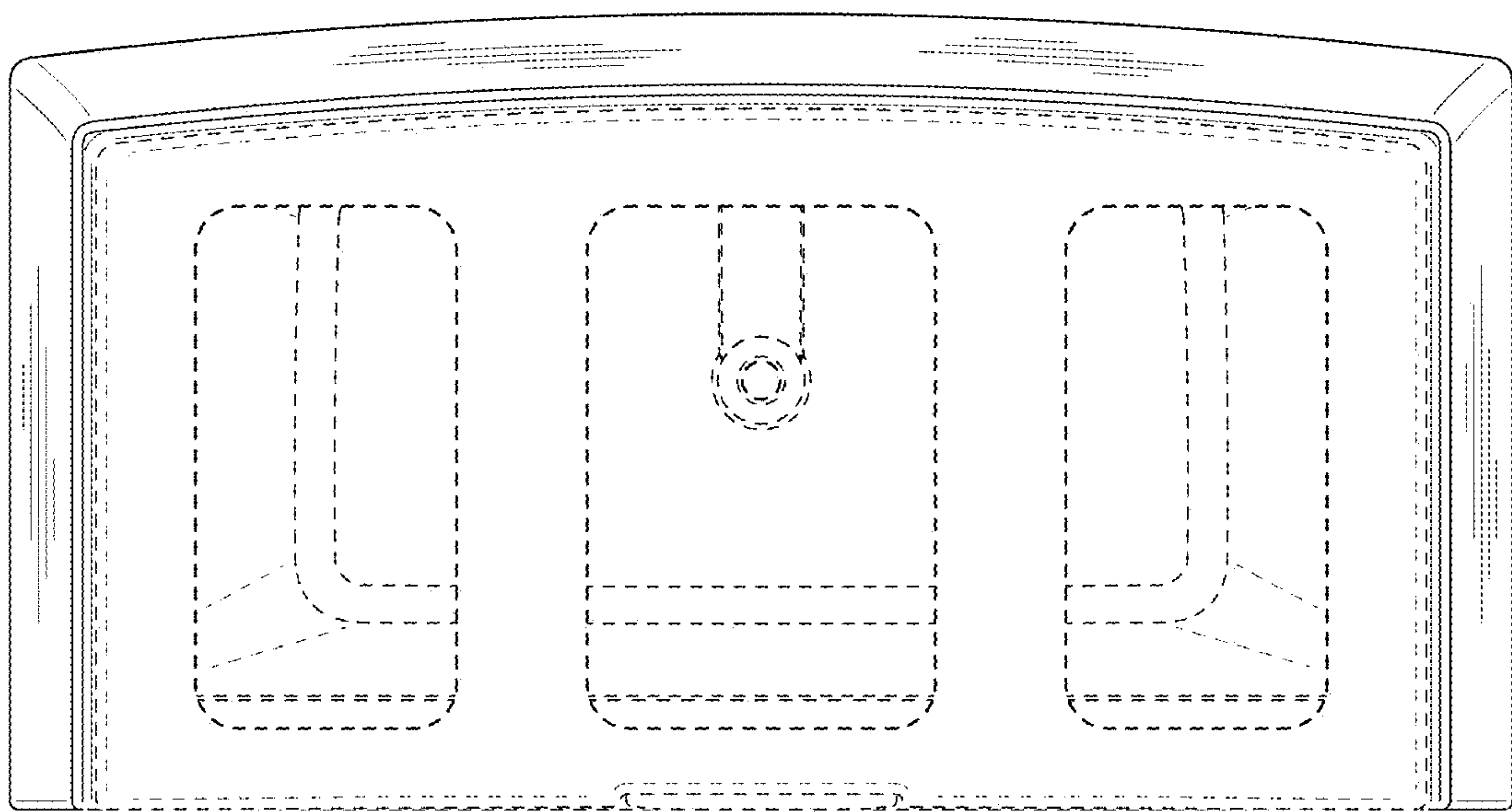


FIG. 6