



US00D886956S

(12) **United States Design Patent**  
**Soulier**

(10) **Patent No.:** **US D886,956 S**

(45) **Date of Patent:** **\*\* Jun. 9, 2020**

(54) **FAUCET**

(71) Applicant: **Kohler Co.**, Kohler, WI (US)

(72) Inventor: **Jean-Hugues Soulier**, Paris (FR)

(73) Assignee: **KOHLER CO.**, Kohler, WI (US)

(\*\*) Term: **15 Years**

(21) Appl. No.: **29/658,307**

(22) Filed: **Jul. 30, 2018**

**Related U.S. Application Data**

(62) Division of application No. 29/585,130, filed on Nov. 21, 2016, now Pat. No. Des. 827,779.

(51) **LOC (12) Cl.** ..... **23-01**

(52) **U.S. Cl.**  
USPC ..... **D23/255**

(58) **Field of Classification Search**  
USPC ..... D23/238-243, 249, 255, 257  
CPC ..... Y10T 137/9464  
See application file for complete search history.

(56) **References Cited**

**U.S. PATENT DOCUMENTS**

D462,421 S	9/2002	Hundley
D466,977 S	12/2002	Cummings
D487,133 S	2/2004	Haug
D531,267 S	10/2006	Hundley
D533,924 S	12/2006	Kirar
D624,989 S	10/2010	Sieger

D628,275 S	11/2010	Lammel
D635,220 S	3/2011	Rubin et al.
D635,221 S	3/2011	Rubin et al.
D636,062 S	4/2011	Rubin et al.
D662,183 S	6/2012	Sieger
D698,420 S	1/2014	Hahn et al.
D786,407 S	5/2017	Clarke
D802,101 S	11/2017	Kirar

*Primary Examiner* — Robert A Delehanty

(74) *Attorney, Agent, or Firm* — Foley & Lardner LLP

(57) **CLAIM**

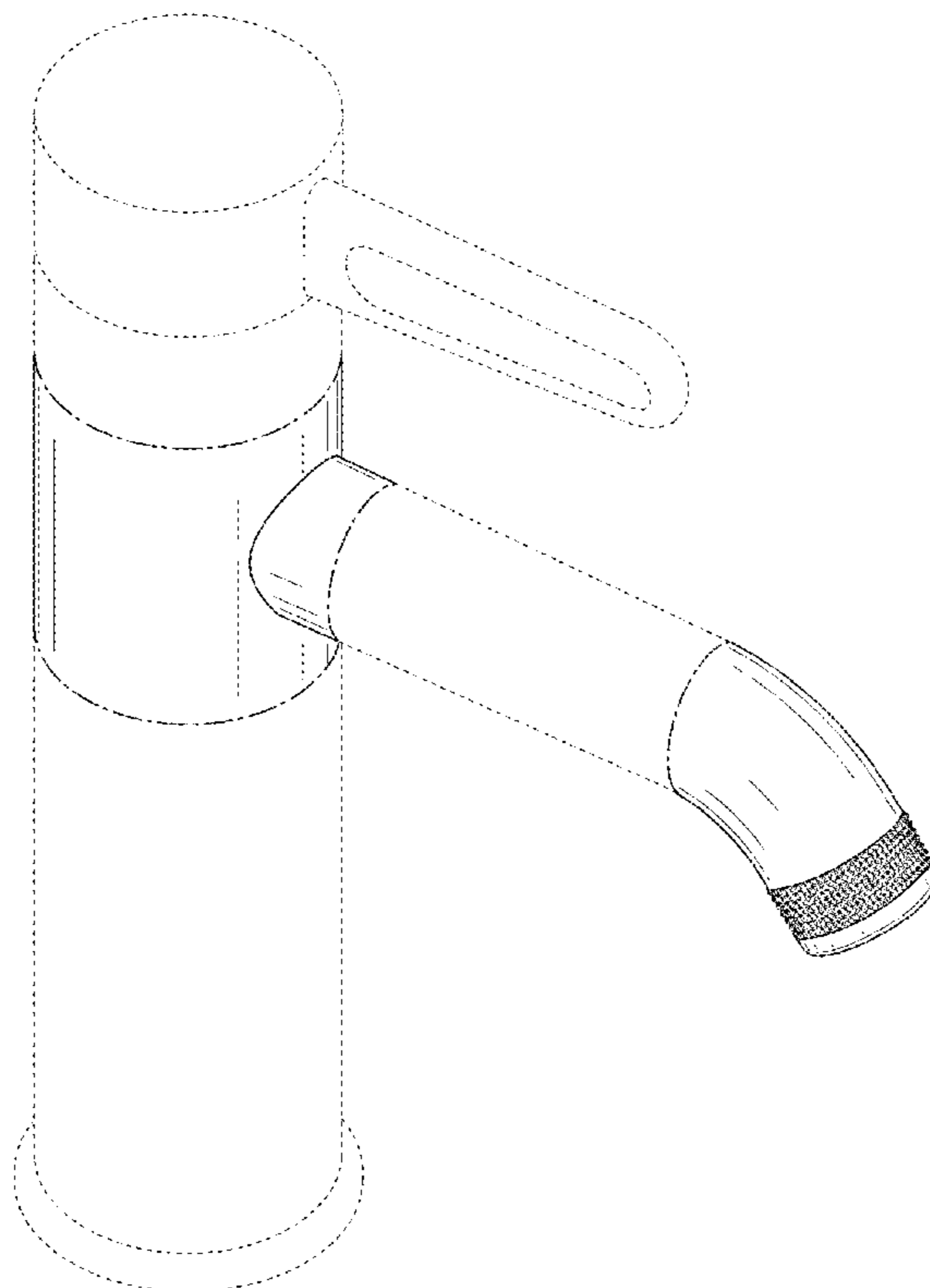
I claim the ornamental design for a faucet, as shown and described.

**DESCRIPTION**

FIG. 1 is a top, front, left perspective view of an embodiment of the claimed design;  
FIG. 2 is a right side elevation view thereof;  
FIG. 3 is a left side elevation view thereof;  
FIG. 4 is a front elevation view thereof;  
FIG. 5 is a rear elevation view thereof;  
FIG. 6 is a top plan view thereof; and,  
FIG. 7 is a bottom plan view thereof.

The ornamental design which is claimed is shown in solid lines in the drawings. The broken lines in the drawings are for illustrative purposes only and form no part of the claimed design. Broken lines formed by equal length dashes show unclaimed subject matter. Broken lines formed by unequal length dashes (i.e., dash-dot) define bounds of the claimed design.

**1 Claim, 5 Drawing Sheets**



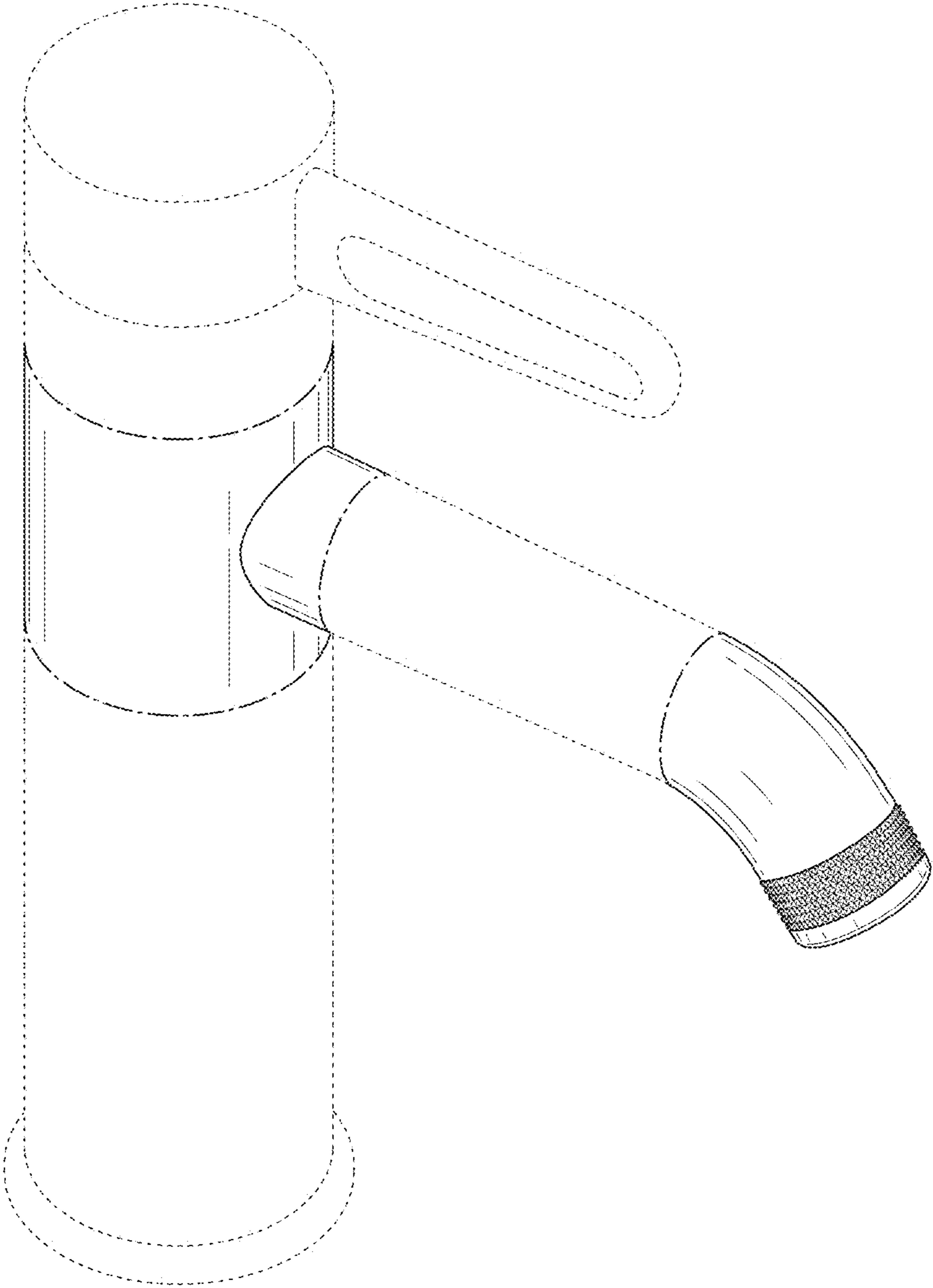


FIG. 1

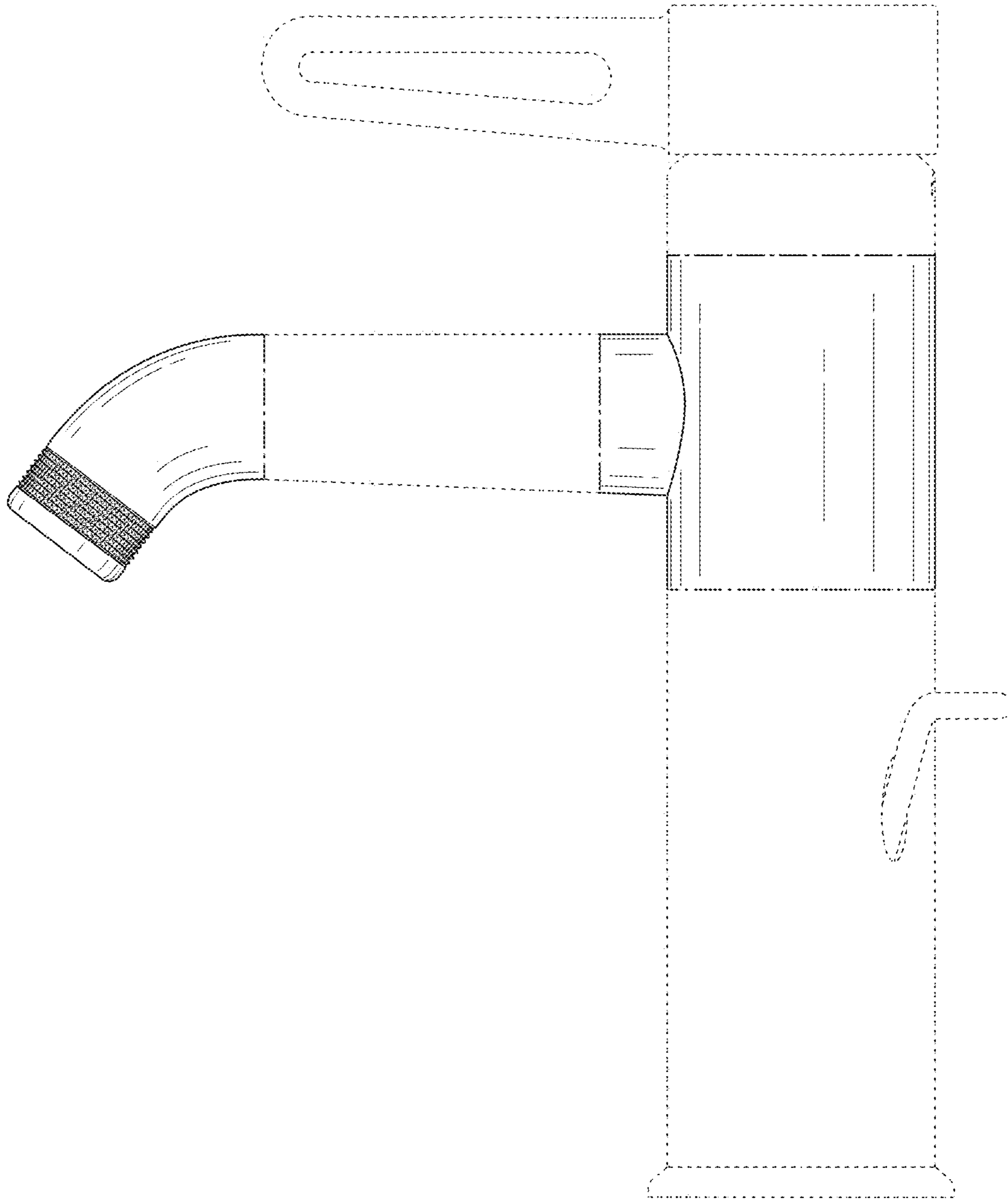


FIG. 2

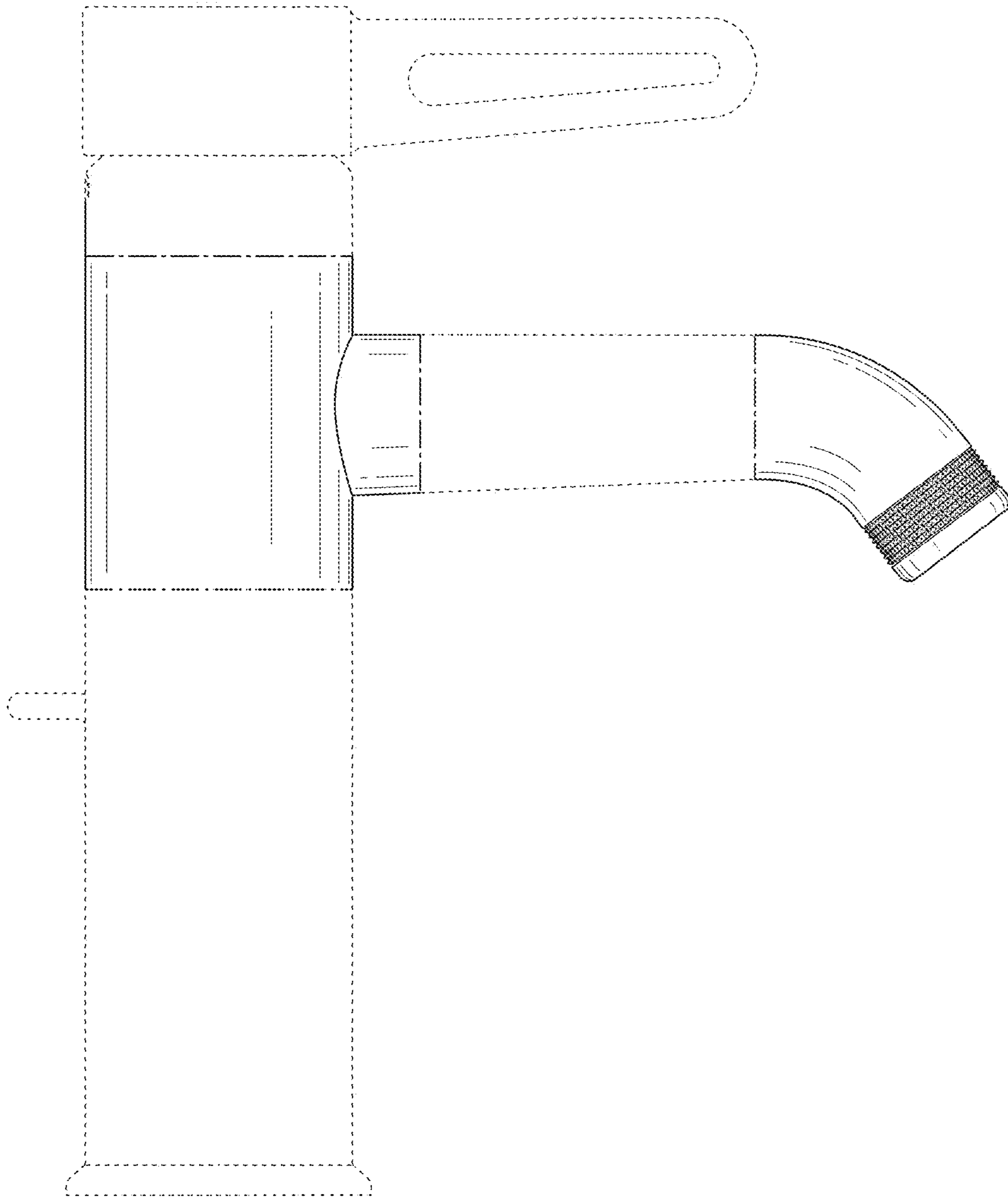


FIG. 3

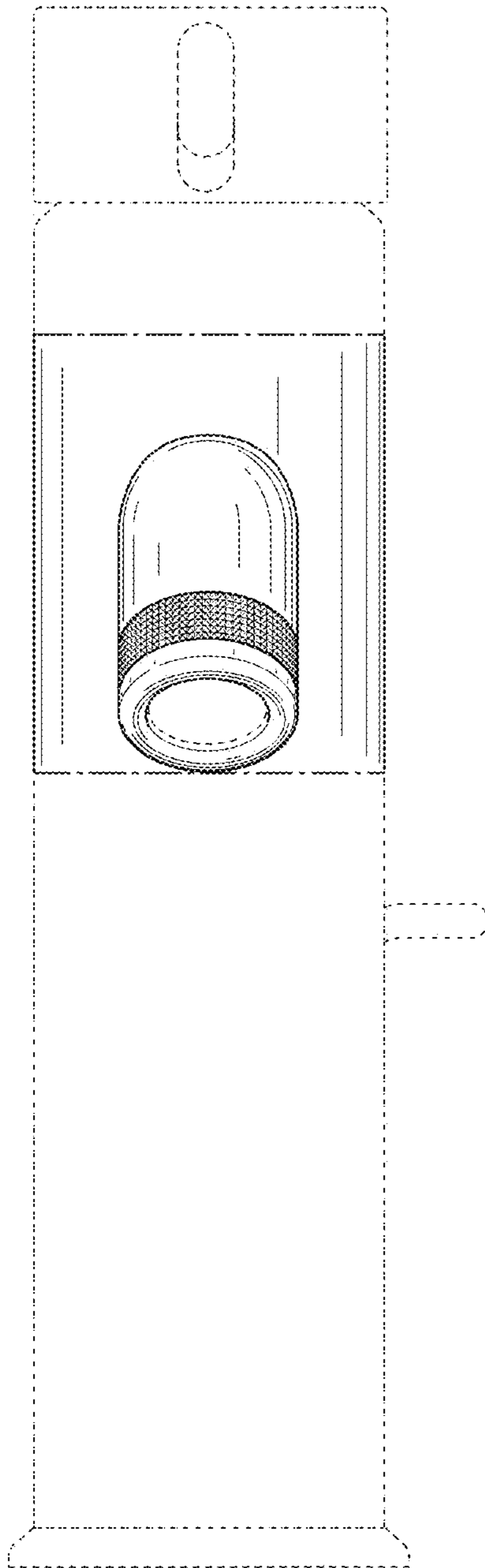


FIG. 4

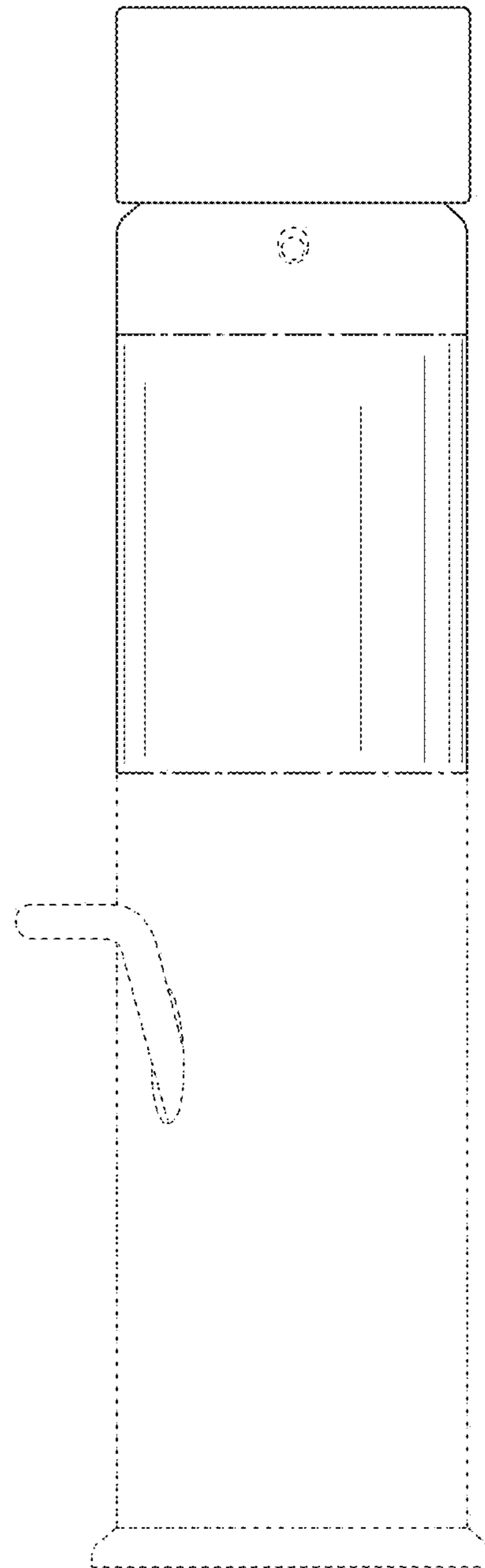


FIG. 5

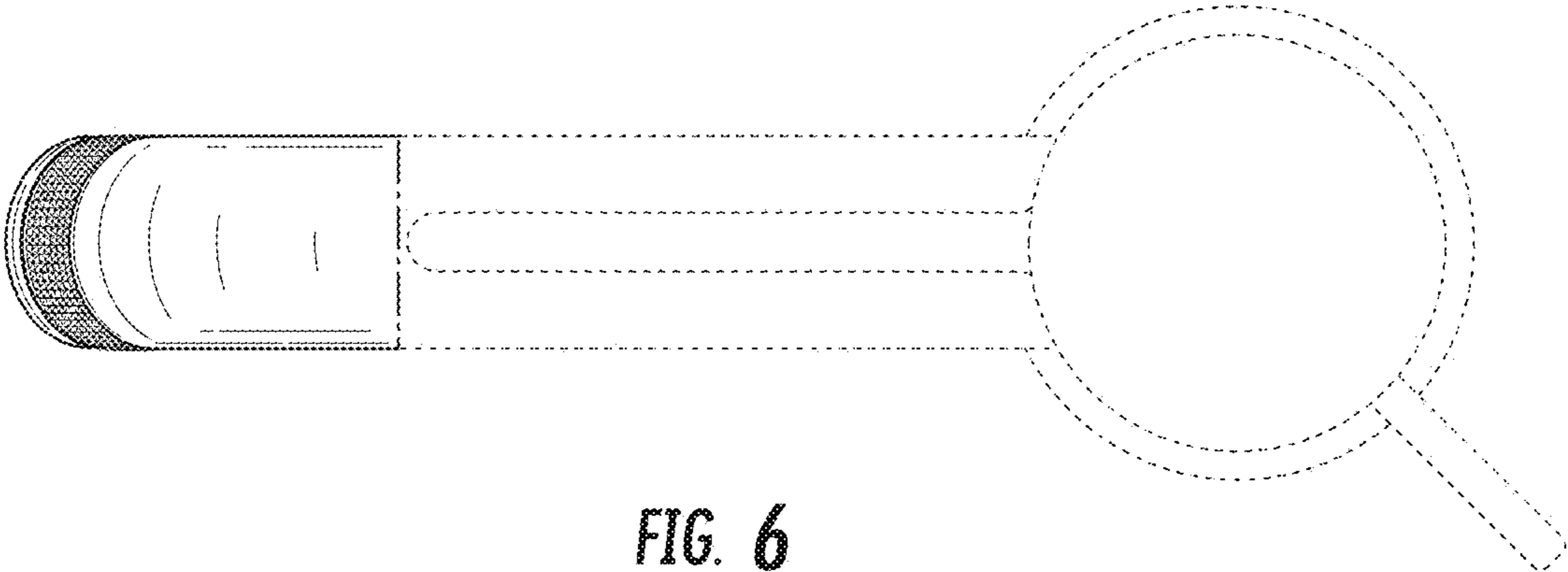


FIG. 6

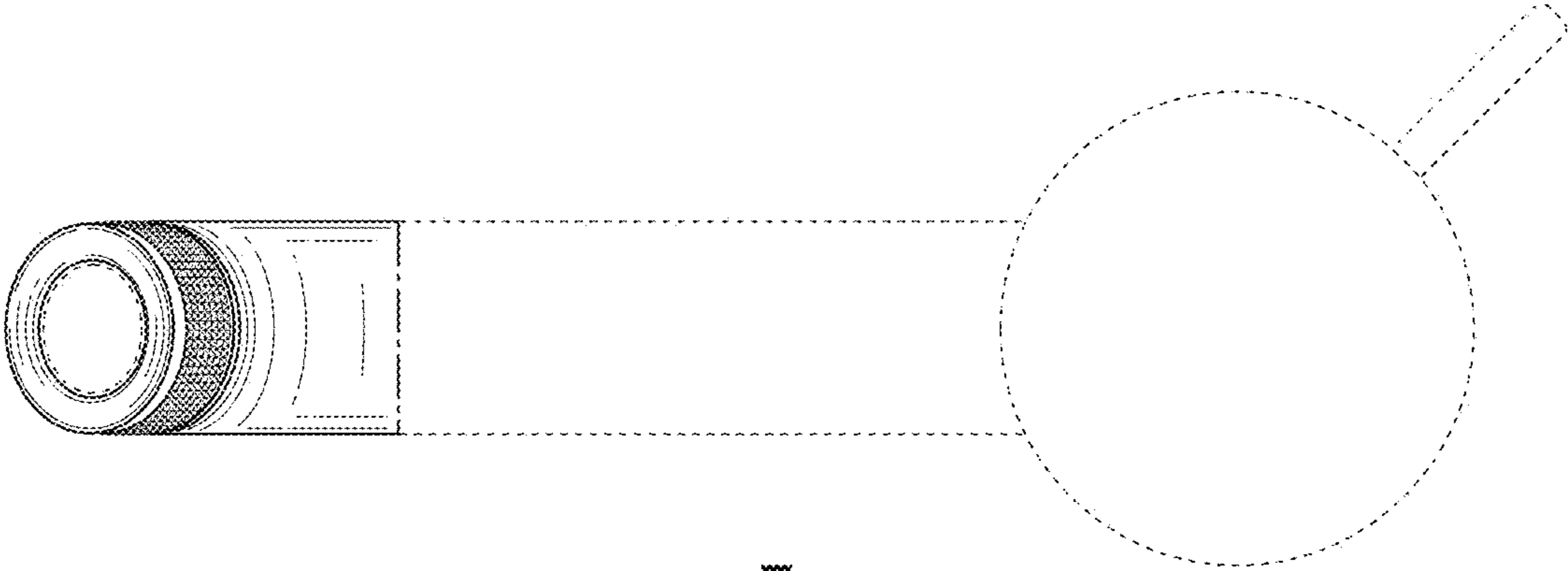


FIG. 7