



US00D886955S

(12) **United States Design Patent**
Shinozaki et al.

(10) **Patent No.:** **US D886,955 S**
(45) **Date of Patent:** **** Jun. 9, 2020**

(54) **CONTROL VALVE**
(71) Applicant: **SMC CORPORATION**, Tokyo (JP)
(72) Inventors: **Kenji Shinozaki**, Koshigaya (JP);
Kenji Moriyama, Tsukubamirai (JP);
Tadaaki Saka, Kashiwa (JP)
(73) Assignee: **SMC CORPORATION**, Tokyo (JP)
(**) Term: **15 Years**

D609,307 S 2/2010 Moriyama
D616,068 S 5/2010 Collins
D701,945 S 4/2014 Mitsuoka
D724,181 S 3/2015 Condon et al.
D753,268 S 4/2016 Nishimura
9,453,587 B2 9/2016 Igarashi et al.
D787,026 S 5/2017 Filer
9,651,162 B2 5/2017 Hirai
9,778,128 B2 10/2017 Imai et al.
9,803,767 B2 10/2017 Hasunuma et al.
D822,173 S 7/2018 Yung

(21) Appl. No.: **29/685,478**
(22) Filed: **Mar. 28, 2019**

Related U.S. Application Data

(62) Division of application No. 29/637,896, filed on Feb. 22, 2018.

Foreign Application Priority Data

Sep. 8, 2017 (CN) 2017 3 0423976

(51) **LOC (12) Cl.** **23-01**

(52) **U.S. Cl.**
USPC **D23/245**

(58) **Field of Classification Search**
USPC 137/625.4, 636.3, 636.2, 454.6, 14, 531,
137/315.18, 533.11; 251/285, 314,
251/315.12; D23/233-249, 262-264, 252
CPC F16K 7/17; F16K 11/0876; F16K 11/0782;
F16K 27/067
See application file for complete search history.

(56) **References Cited**

U.S. PATENT DOCUMENTS

D522,618 S 6/2006 Matsushita
D609,306 S 2/2010 Moriyama

FOREIGN PATENT DOCUMENTS

CN 301264915 S 6/2010
CN 301301720 S 8/2010
JP D1115632 S 7/2001
JP D1411228 S 4/2011

Primary Examiner — Gino Colan

(74) *Attorney, Agent, or Firm* — Birch, Stewart, Kolasch & Birch, LLP

(57) **CLAIM**

The ornamental design for a control valve, as shown and described.

DESCRIPTION

FIG. 1 is a front, top and right side perspective view of a control valve showing our new design;
FIG. 2 is a rear, bottom and left side perspective view thereof;
FIG. 3 is a front view thereof;
FIG. 4 is a rear view thereof;
FIG. 5 is a top plan view thereof;
FIG. 6 is a bottom plan view thereof;
FIG. 7 is a left side view thereof; and,
FIG. 8 is a right side view thereof.
The broken lines depict portions of the control valve that form no part of the claimed design.

1 Claim, 8 Drawing Sheets

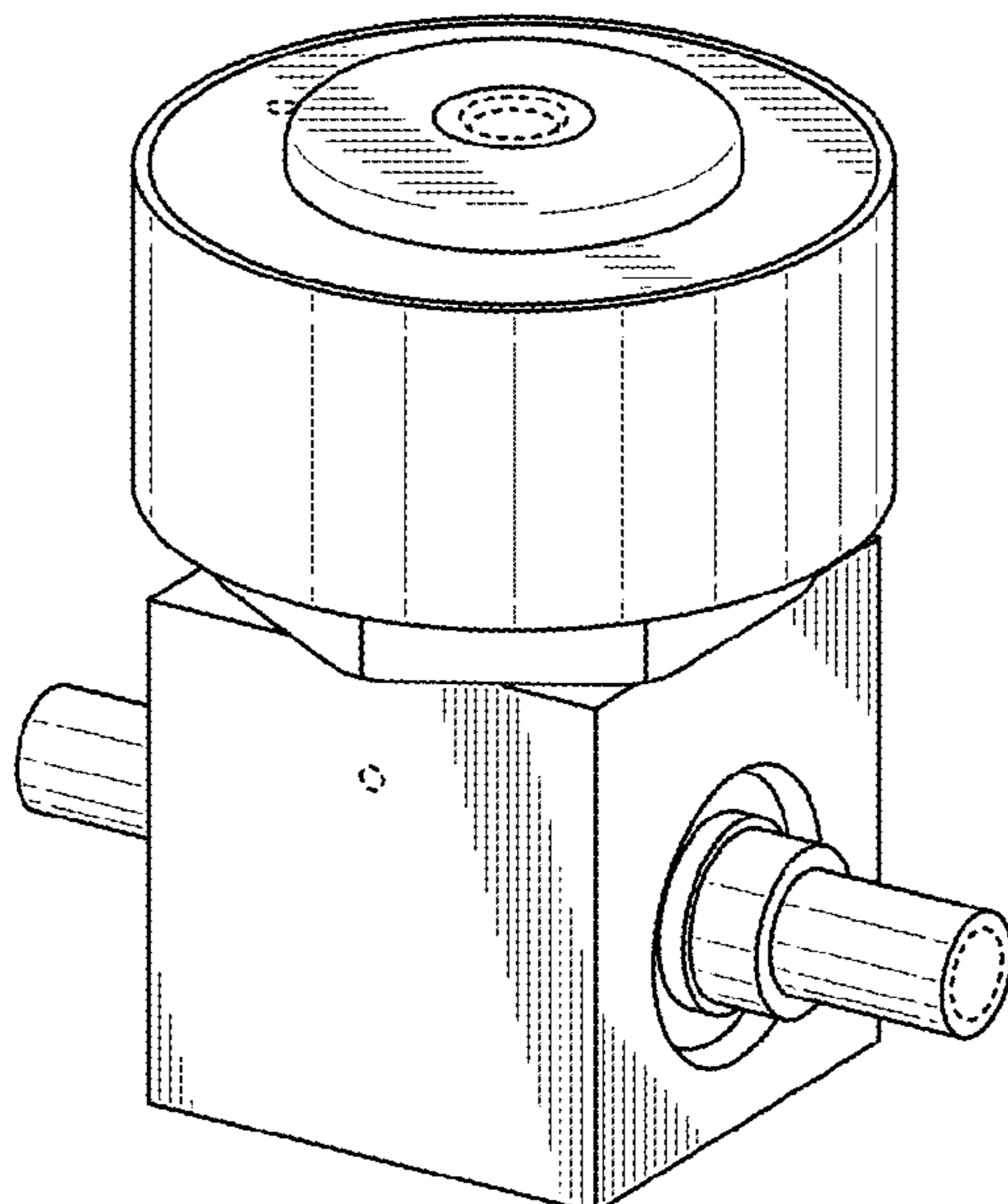


FIG. 1

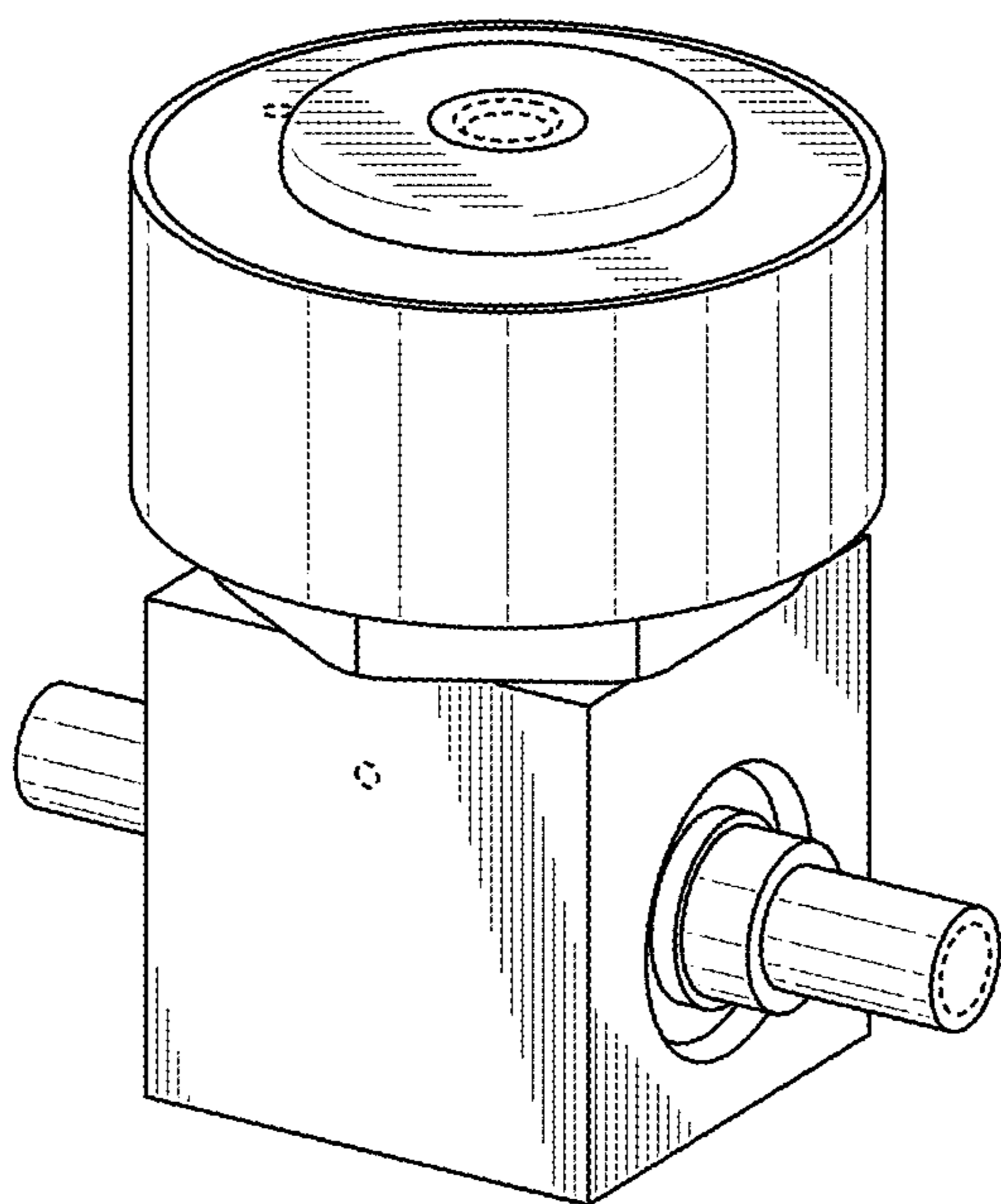


FIG. 2

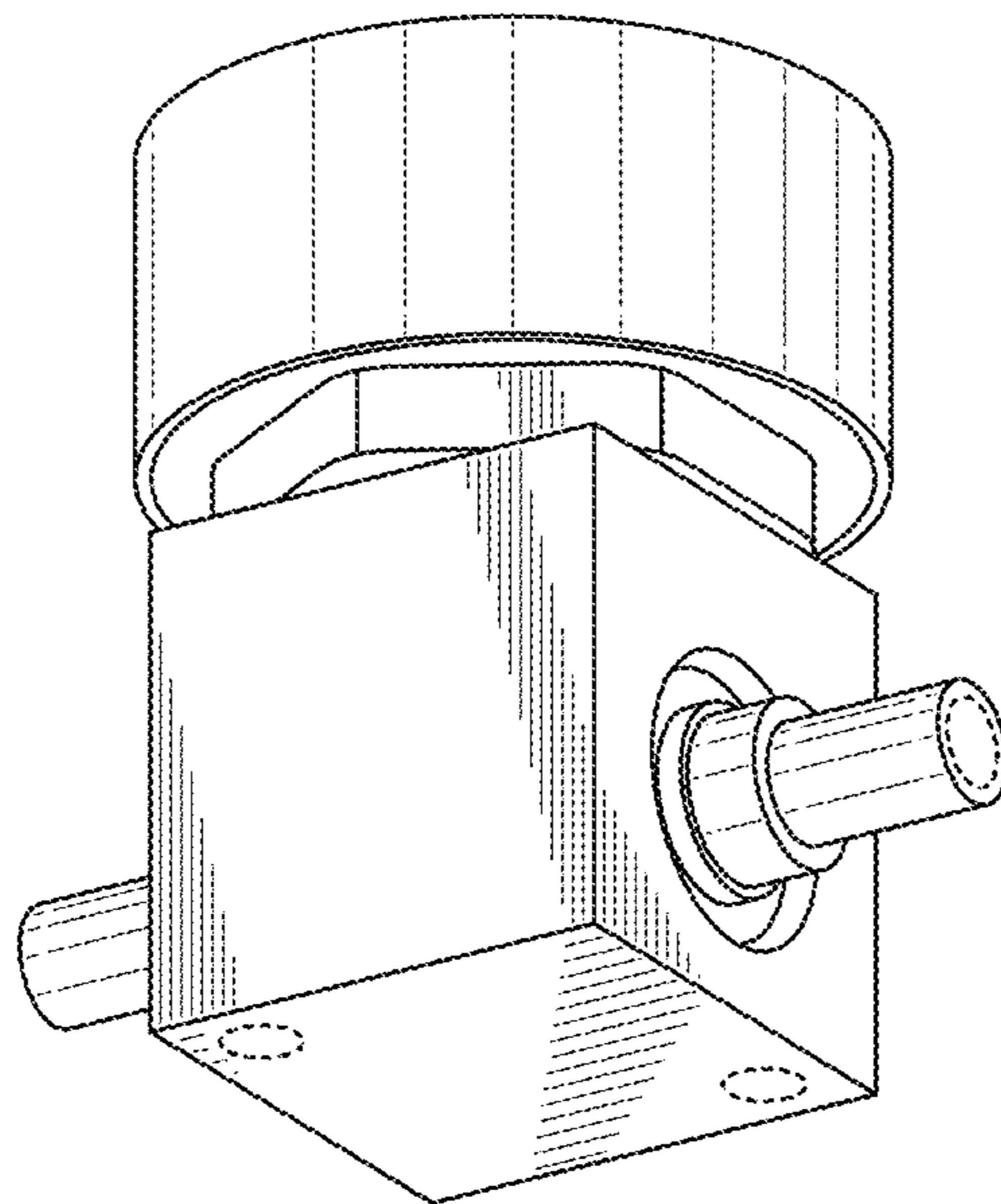


FIG. 3

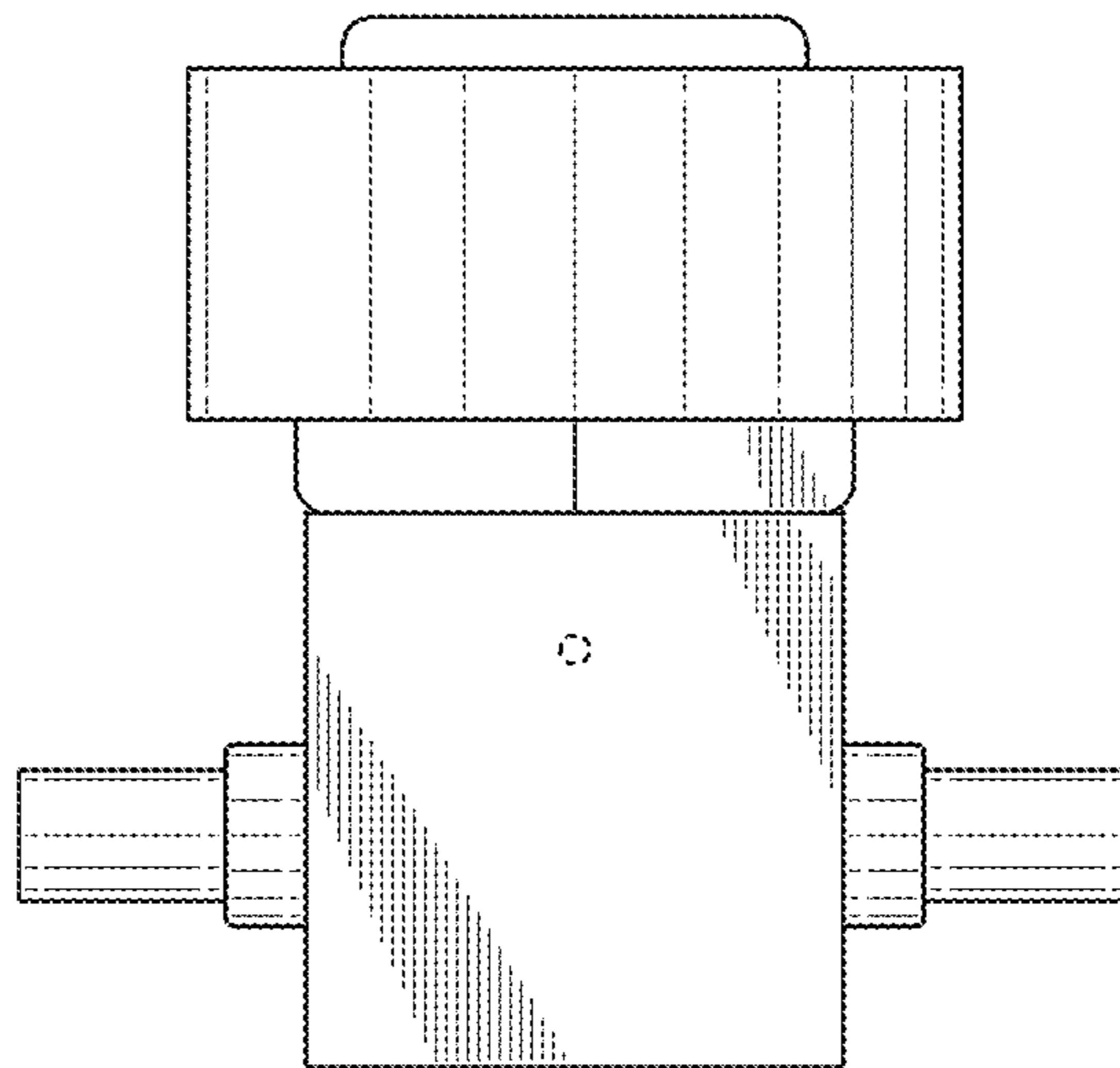


FIG. 4

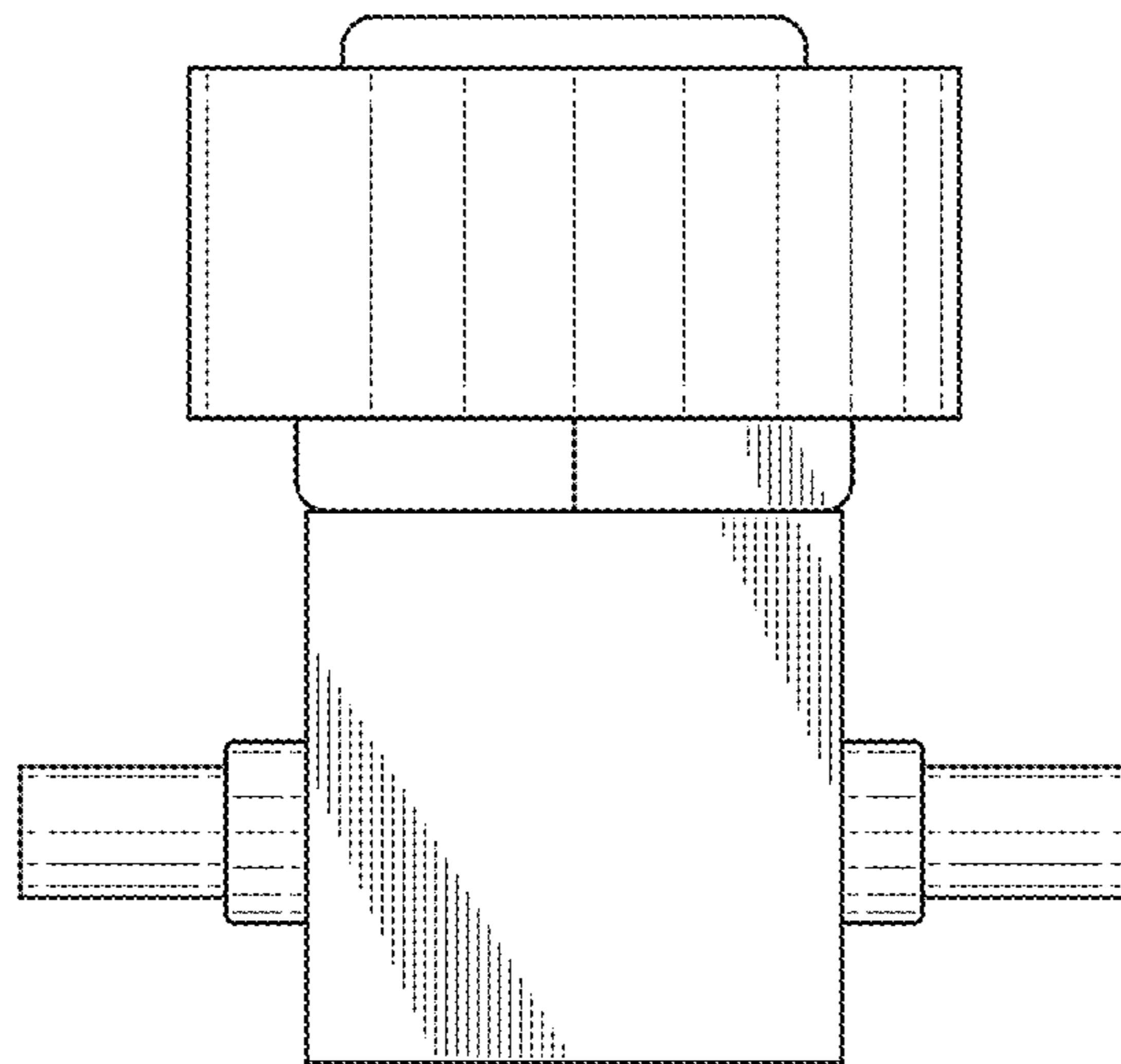


FIG. 5

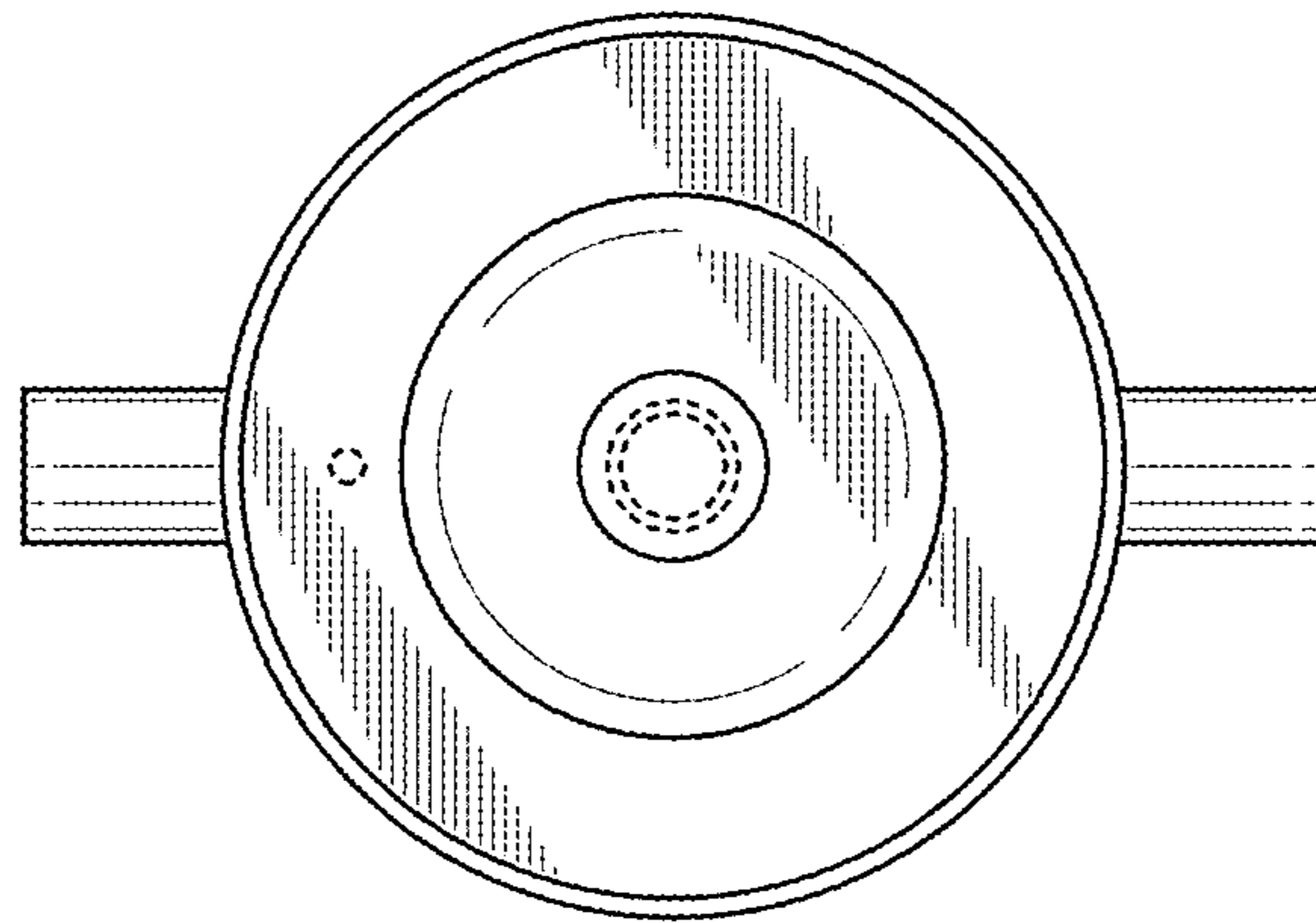


FIG. 6

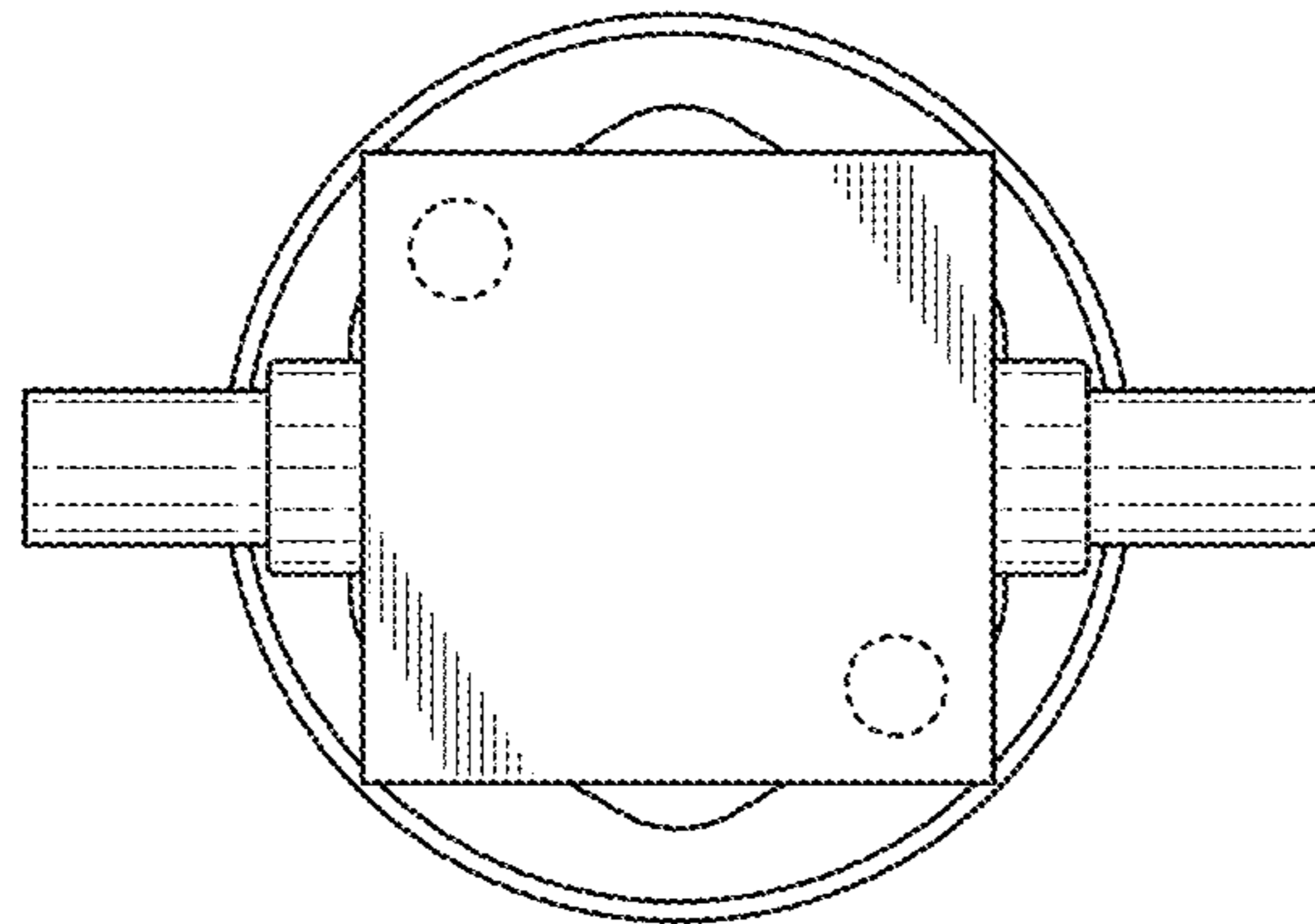


FIG. 7

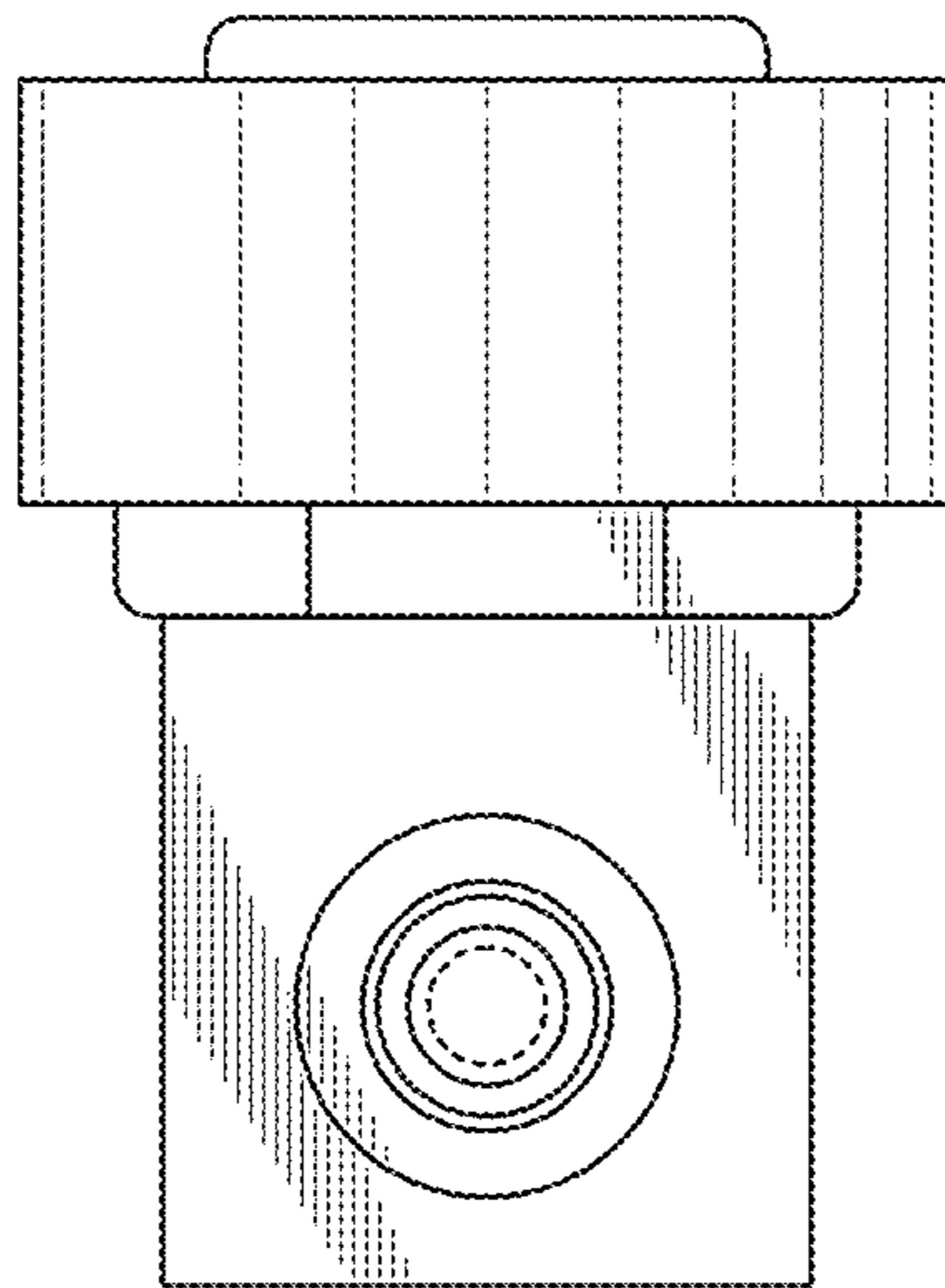


FIG. 8

