



US00D886954S

(12) **United States Design Patent**
Gabriel

(10) **Patent No.:** **US D886,954 S**

(45) **Date of Patent:** **** Jun. 9, 2020**

(54) **THREE-WAY VALVE**

(71) Applicant: **Sabry Gabriel**, Lizella, GA (US)

(72) Inventor: **Sabry Gabriel**, Lizella, GA (US)

(**) Term: **15 Years**

(21) Appl. No.: **29/684,590**

(22) Filed: **Mar. 22, 2019**

(51) **LOC (12) Cl.** **23-01**

(52) **U.S. Cl.**
USPC **D23/245**

(58) **Field of Classification Search**
USPC D23/233, 235-237, 241-250, 263;
137/270, 15.21; 251/297
CPC . B65D 47/2031; F16K 11/22; F16K 11/0856;
F16K 11/10; F16K 11/0525; F16K
11/0716; F16K 11/105; F16K 15/00;
F16K 11/0833; F16K 11/0853; F16K
11/20; F16K 17/22; F16K 27/0263
See application file for complete search history.

(56) **References Cited**

U.S. PATENT DOCUMENTS

4,470,429	A *	9/1984	Johnson	F16K 11/0853 137/270
D357,731	S *	4/1995	Chih	D23/263
6,536,742	B2 *	3/2003	Lotz	A61M 39/223 251/297
6,575,187	B2 *	6/2003	Leys	F16K 11/048 137/15.21
D722,362	S *	2/2015	Kluss	D23/235
D722,363	S *	2/2015	Kluss	D23/235

10,215,294	B2 *	2/2019	Ferrer Beltran	F16K 11/085
D871,551	S *	12/2019	Shinozaki	D23/245
D872,834	S *	1/2020	Howard	D23/235

* cited by examiner

Primary Examiner — Gino Colan

(74) *Attorney, Agent, or Firm* — Withers & Keys, LLC

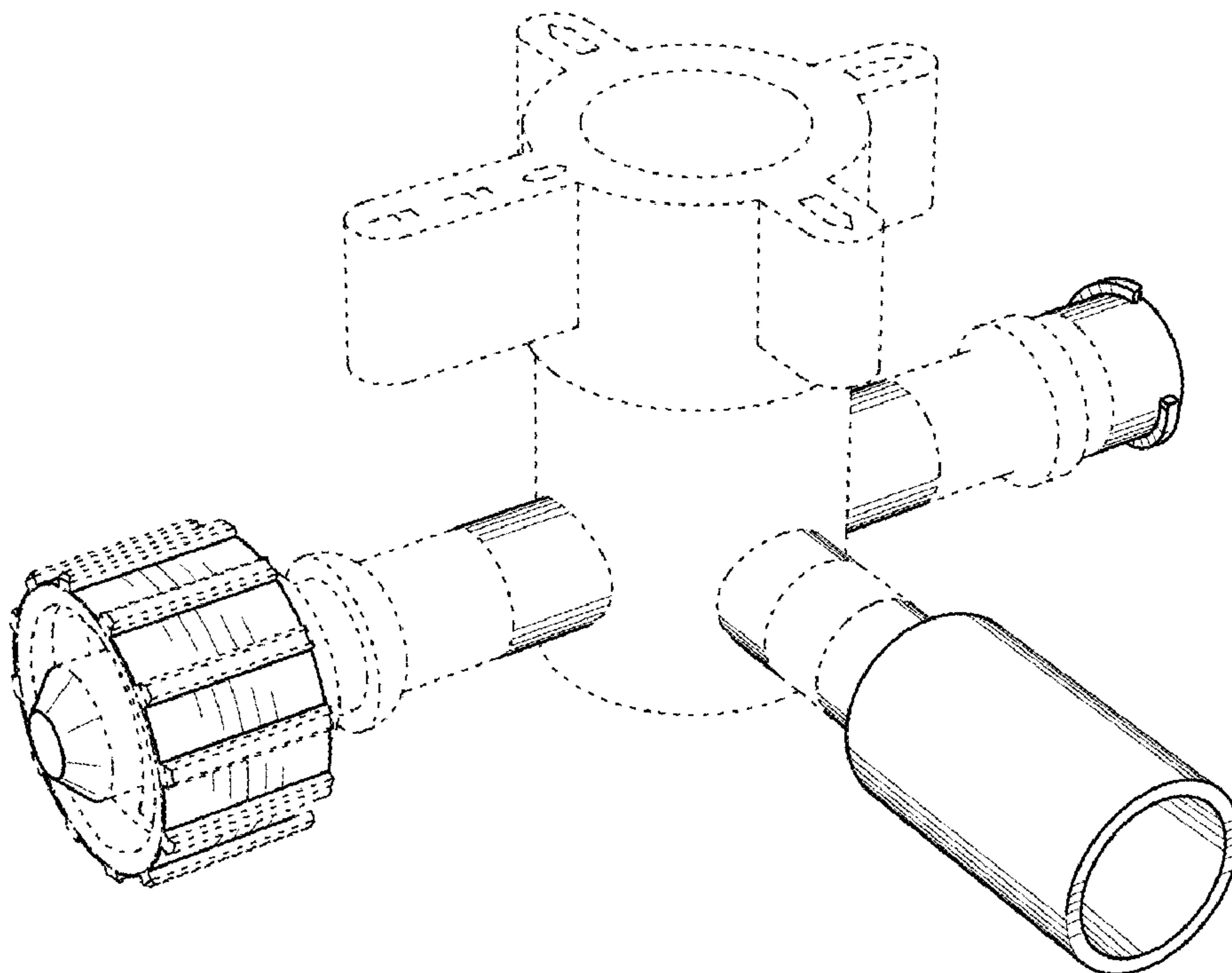
(57) **CLAIM**

The ornamental design for a three-way valve, as shown and described.

DESCRIPTION

FIG. 1 is a perspective view of a three-way valve showing my new design as viewed from a front top side of the three-way valve;
 FIG. 2 is a rear view of the three-way valve shown in FIG. 1;
 FIG. 3 is a front view of the three-way valve shown in FIG. 1;
 FIG. 4 is a right-side view of the three-way valve shown in FIG. 1;
 FIG. 5 is a left-side view of the three-way valve shown in FIG. 1;
 FIG. 6 is a top view of the three-way valve shown in FIG. 1;
 FIG. 7 is a bottom view of the three-way valve shown in FIG. 1;
 FIG. 8 is another top view of the three-way valve shown in FIG. 1; and,
 FIG. 9 is a left-side view of the three-way valve shown in FIG. 1 showing a cross-sectional view 9-9 as shown in FIG. 8.
 The dashed broken lines shown in the drawings illustrate portions of the three-way valve and form no part of the claimed design.

1 Claim, 9 Drawing Sheets



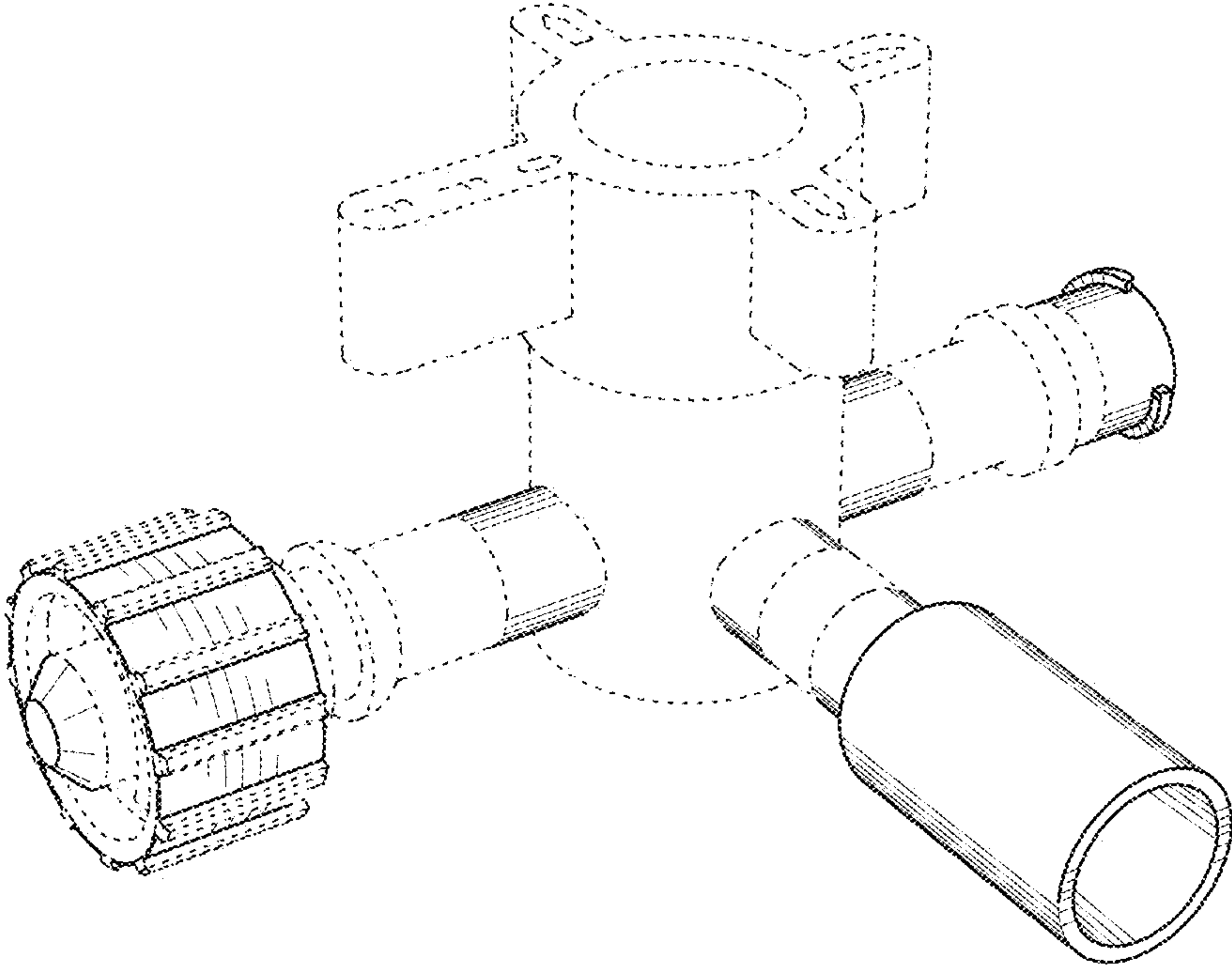


Fig. 1

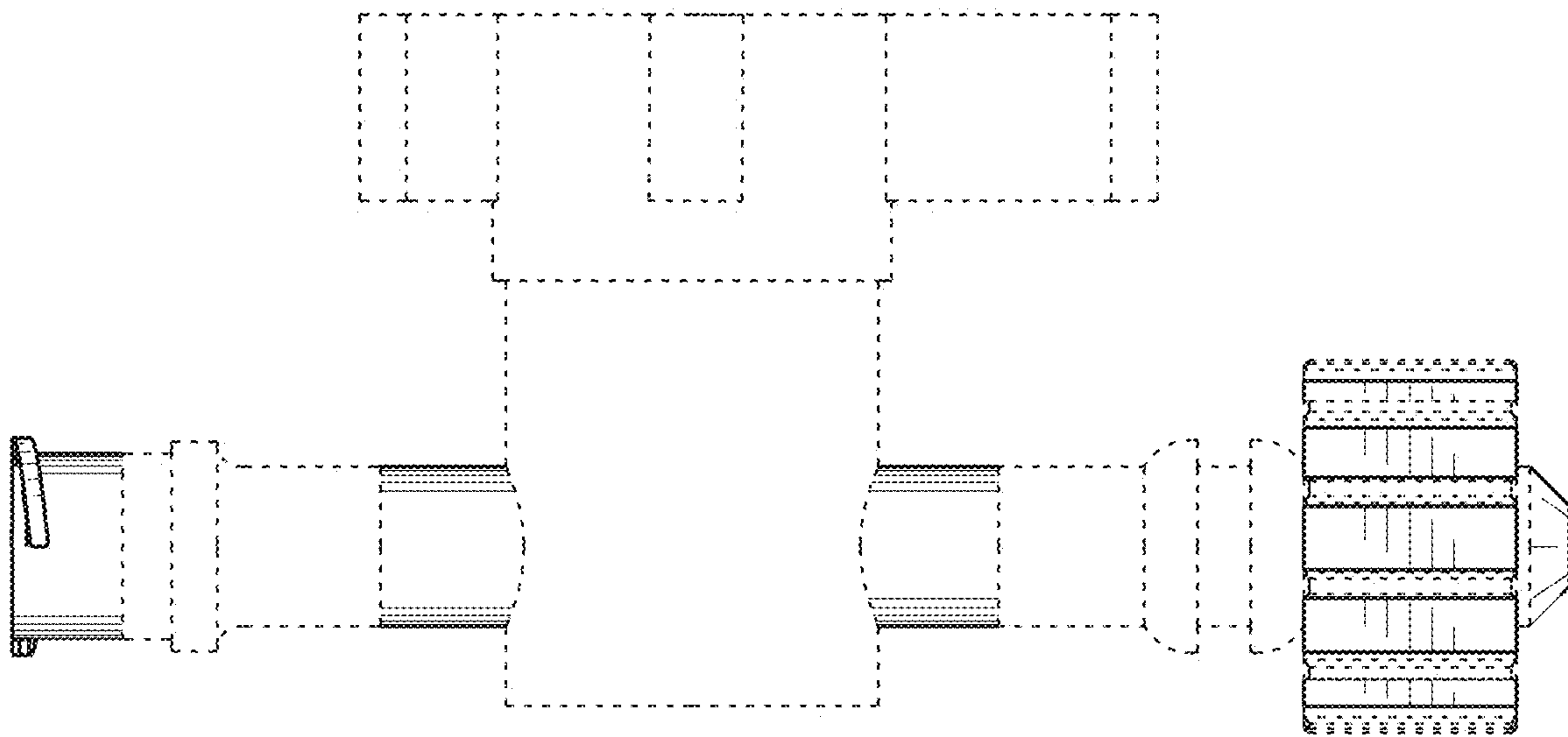


Fig. 2

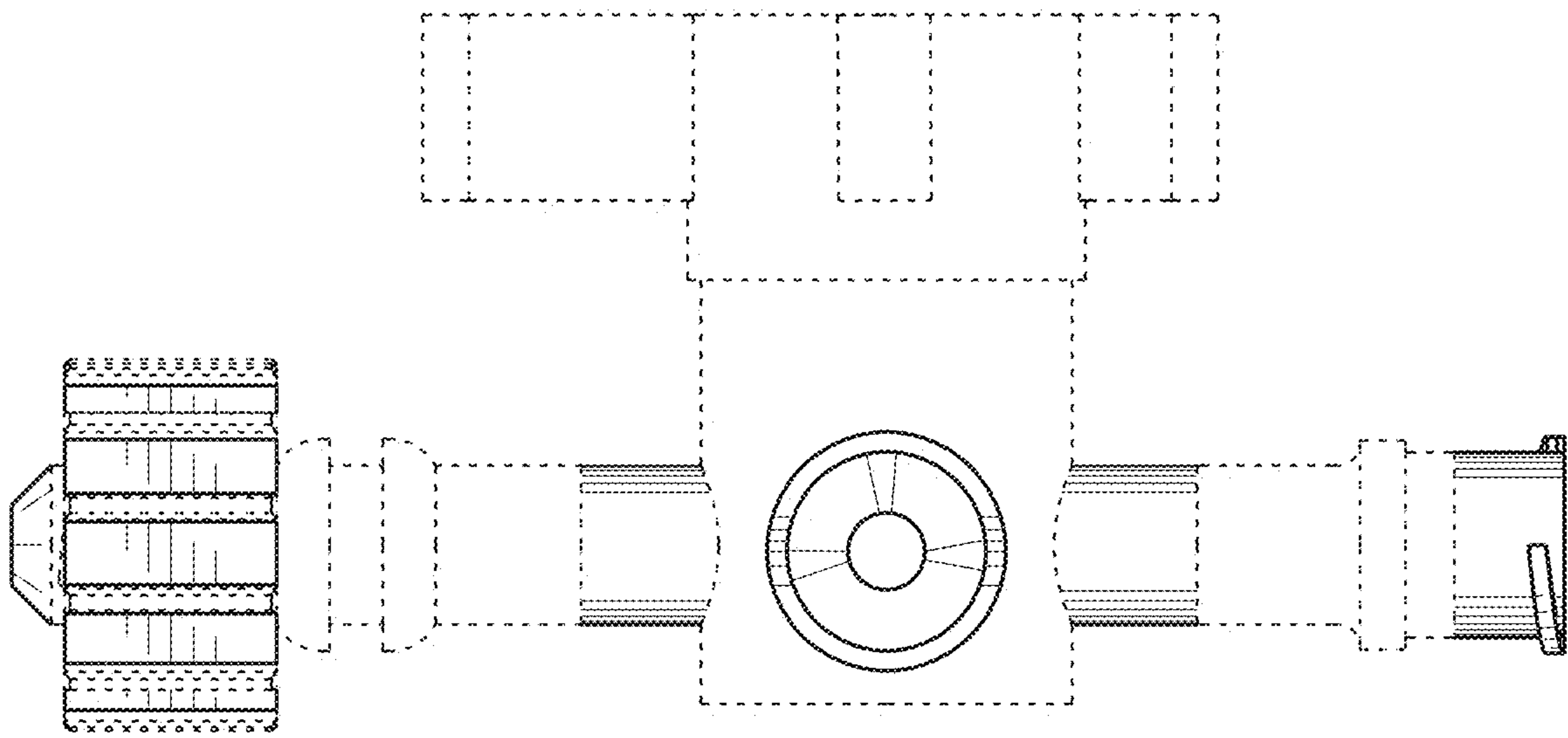


Fig. 3

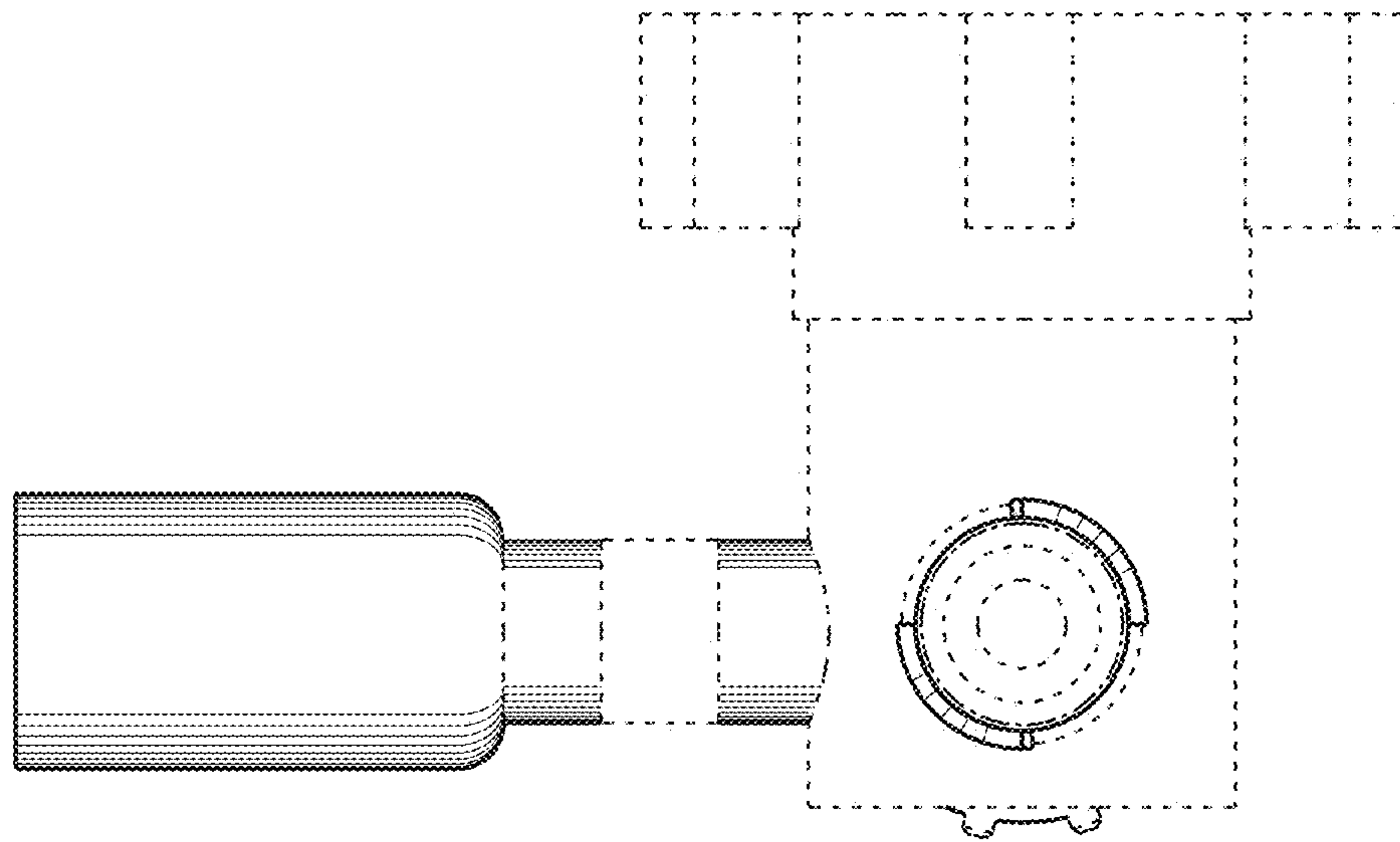


Fig. 4

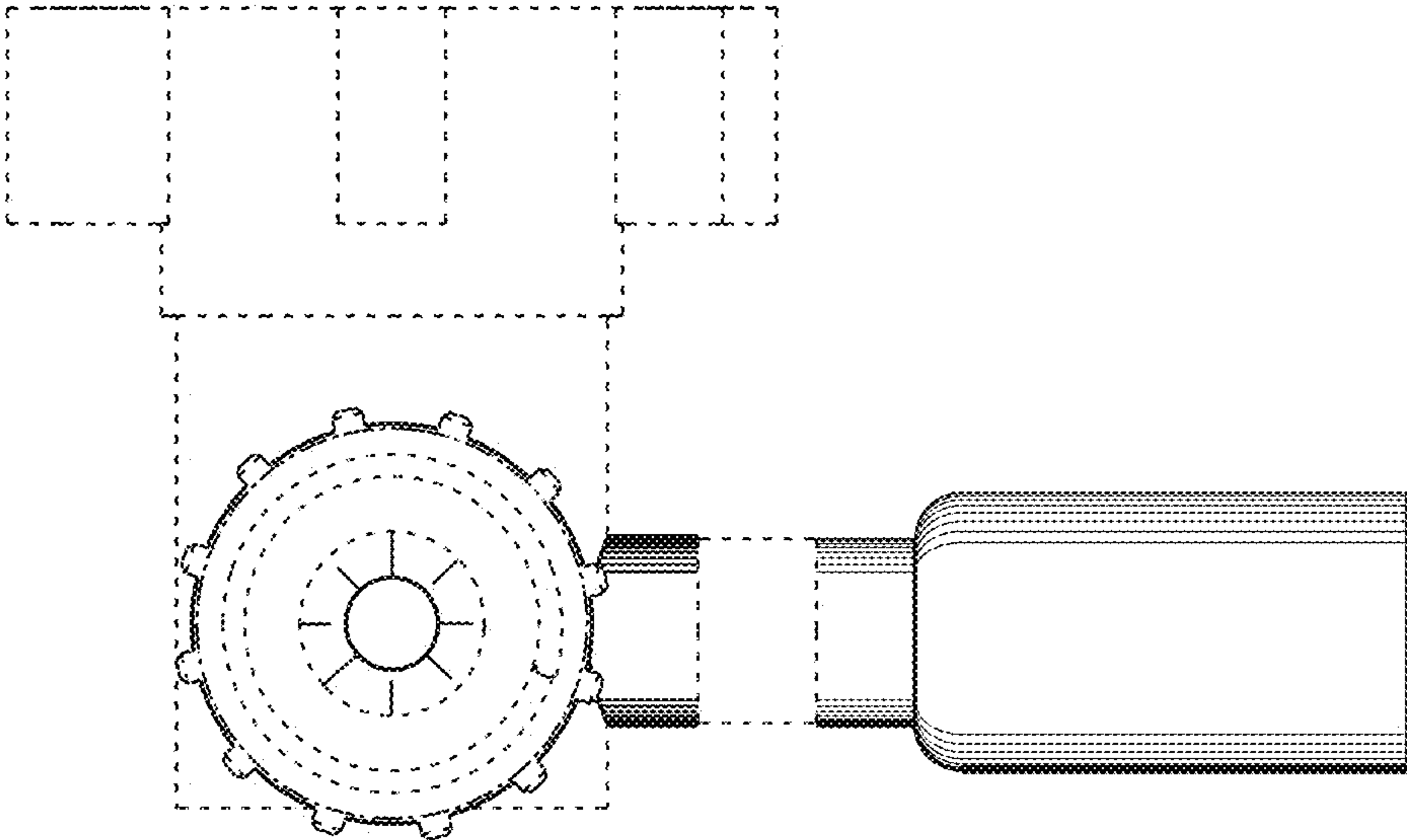


Fig. 5

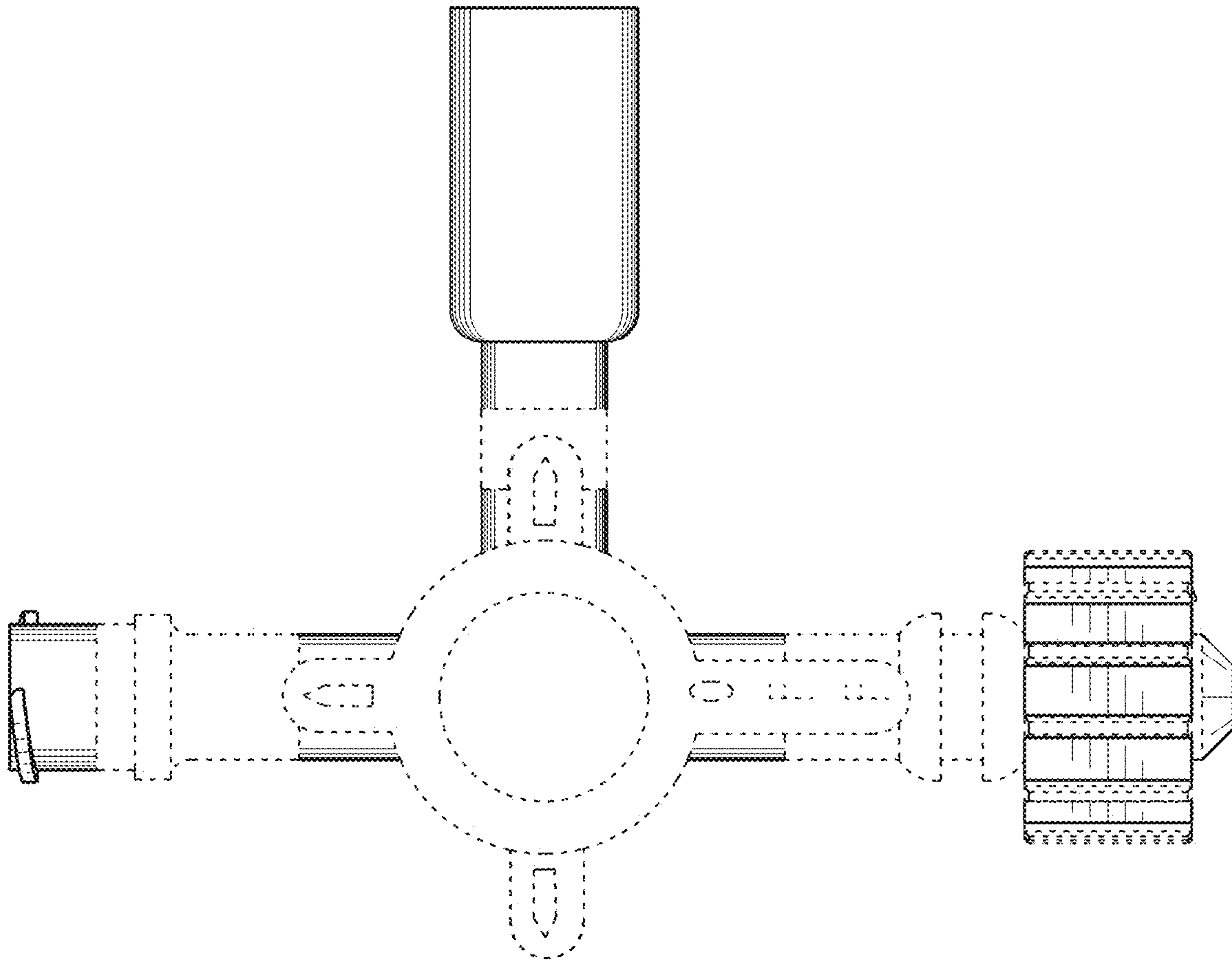


Fig. 6

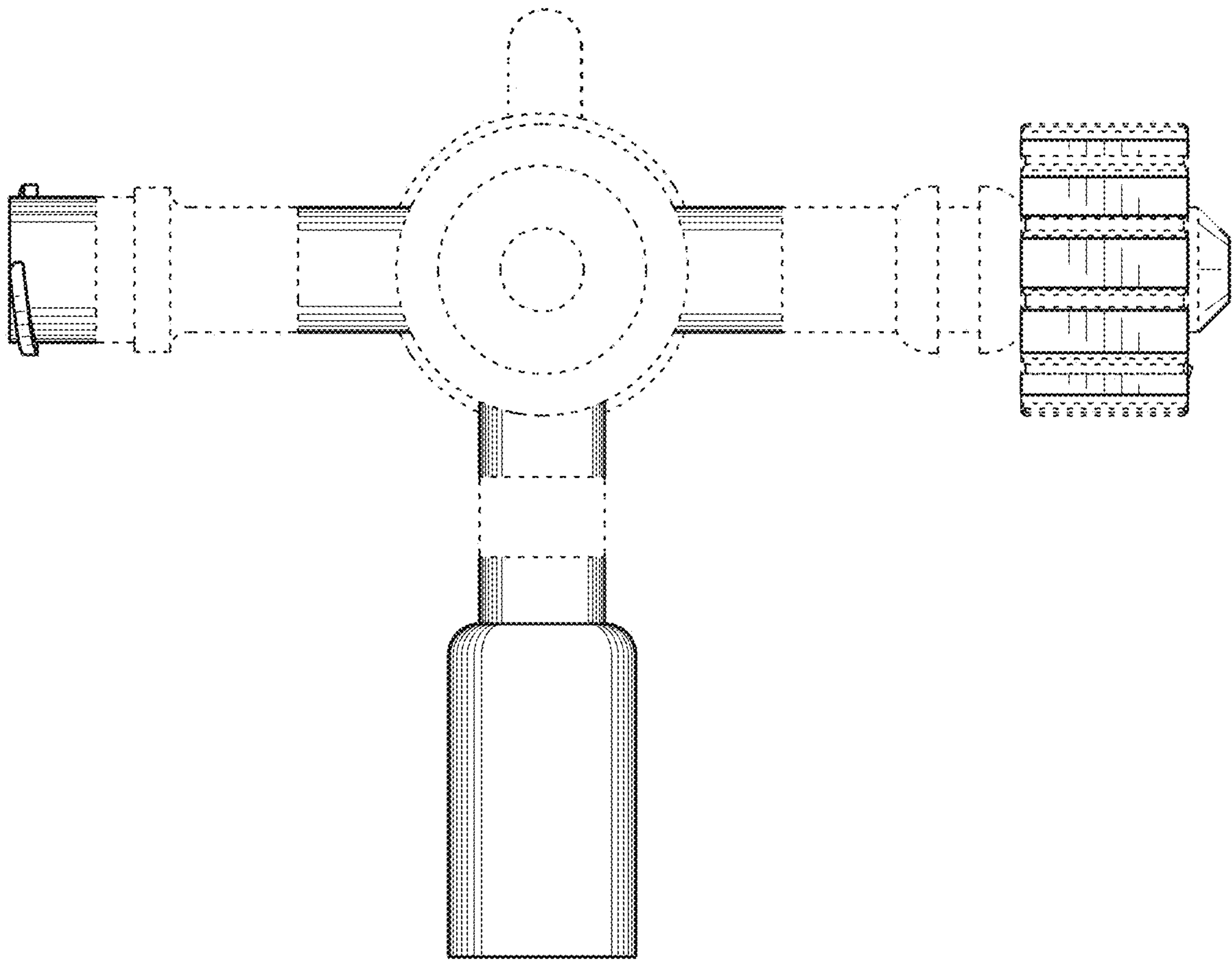


Fig. 7

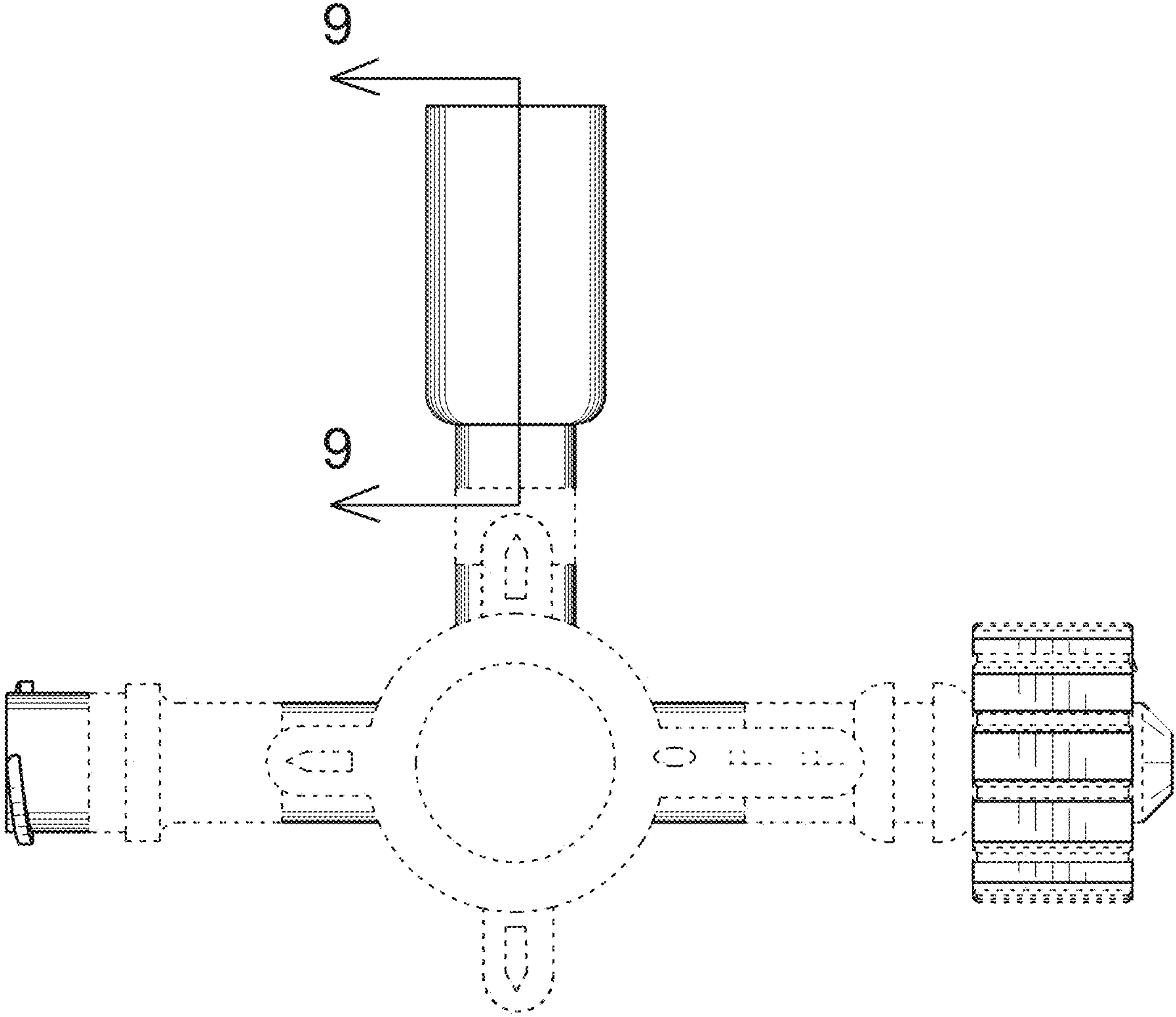


Fig. 8

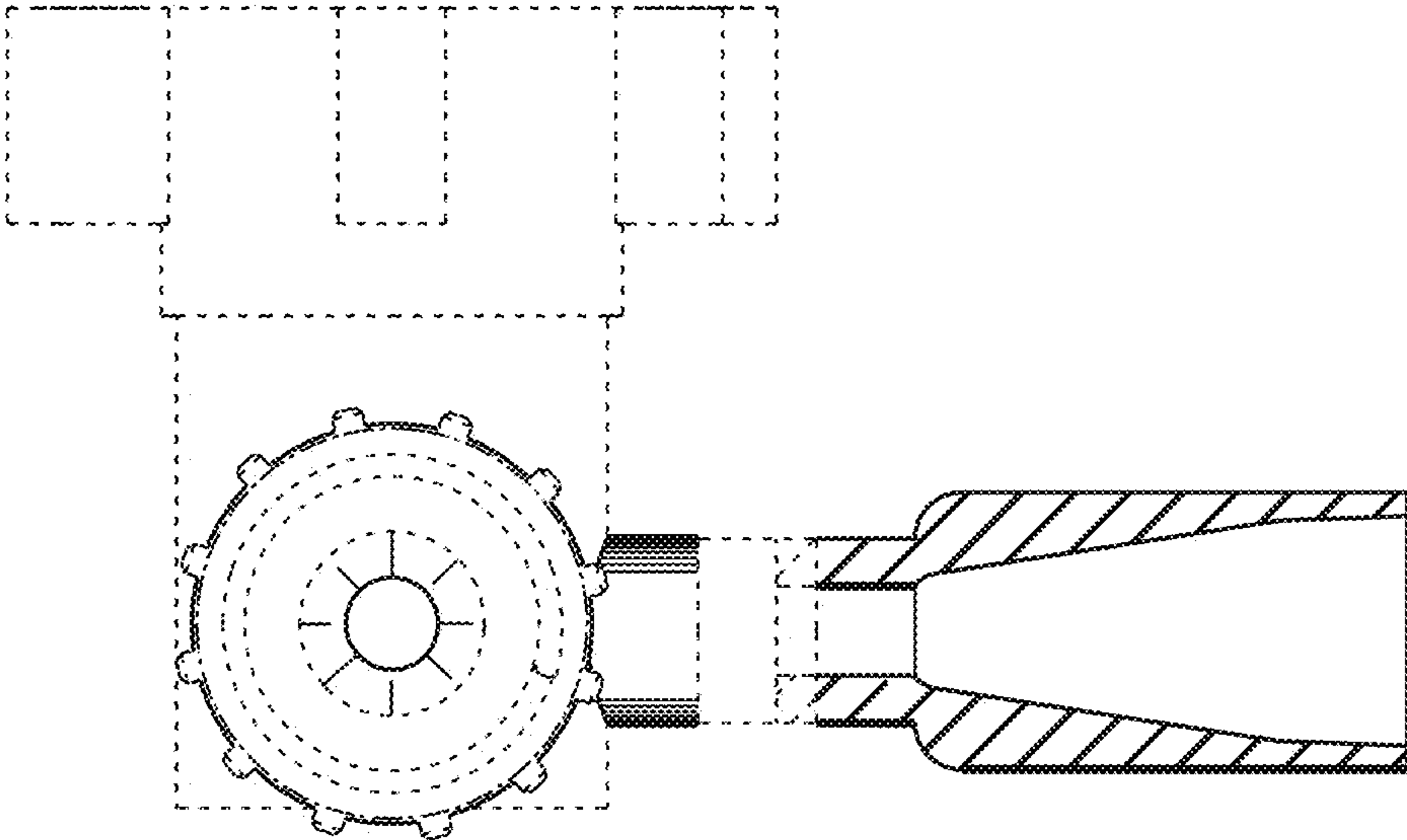


Fig. 9