



US00D886953S

(12) **United States Design Patent**  
**Gabriel**

(10) **Patent No.:** **US D886,953 S**

(45) **Date of Patent:** **\*\* Jun. 9, 2020**

(54) **THREE-WAY VALVE**

(71) Applicant: **Sabry Gabriel**, Lizella, GA (US)

(72) Inventor: **Sabry Gabriel**, Lizella, GA (US)

(\*\*) Term: **15 Years**

(21) Appl. No.: **29/684,581**

(22) Filed: **Mar. 22, 2019**

(51) **LOC (12) Cl.** ..... **23-01**

(52) **U.S. Cl.**  
USPC ..... **D23/245**

(58) **Field of Classification Search**  
USPC ..... D23/233, 235-237, 241-250, 263;  
137/270, 15.21; 251/297  
CPC . B65D 47/2031; F16K 11/22; F16K 11/0856;  
F16K 11/10; F16K 11/0525; F16K  
11/0716; F16K 11/105; F16K 15/00;  
F16K 11/0833; F16K 11/0853; F16K  
11/20; F16K 17/22; F16K 27/0263  
See application file for complete search history.

(56) **References Cited**

**U.S. PATENT DOCUMENTS**

4,470,429	A *	9/1984	Johnson	.....	F16K 11/0853
					137/270
D357,731	S *	4/1995	Chih	.....	D23/263
6,536,742	B2 *	3/2003	Lotz	.....	A61M 39/223
					251/297
6,575,187	B2 *	6/2003	Leys	.....	F16K 11/048
					137/15.21
D722,362	S *	2/2015	Kluss	.....	D23/235
D722,363	S *	2/2015	Kluss	.....	D23/235
10,215,294	B2 *	2/2019	Ferrer Beltran	.....	F16K 11/085
D871,551	S *	12/2019	Shinozaki	.....	D23/245
D872,834	S *	1/2020	Howard	.....	D23/235

\* cited by examiner

*Primary Examiner* — Gino Colan

(74) *Attorney, Agent, or Firm* — Withers & Keys, LLC

(57) **CLAIM**

The ornamental design for a three-way valve, as shown and described.

**DESCRIPTION**

FIG. 1 is a perspective view of a three-way valve showing my new design as viewed from a front top side of the three-way valve;

FIG. 2 is a rear view of the three-way valve shown in FIG. 1;

FIG. 3 is a front view of the three-way valve shown in FIG. 1;

FIG. 4 is a right-side view of the three-way valve shown in FIG. 1;

FIG. 5 is a left-side view of the three-way valve shown in FIG. 1;

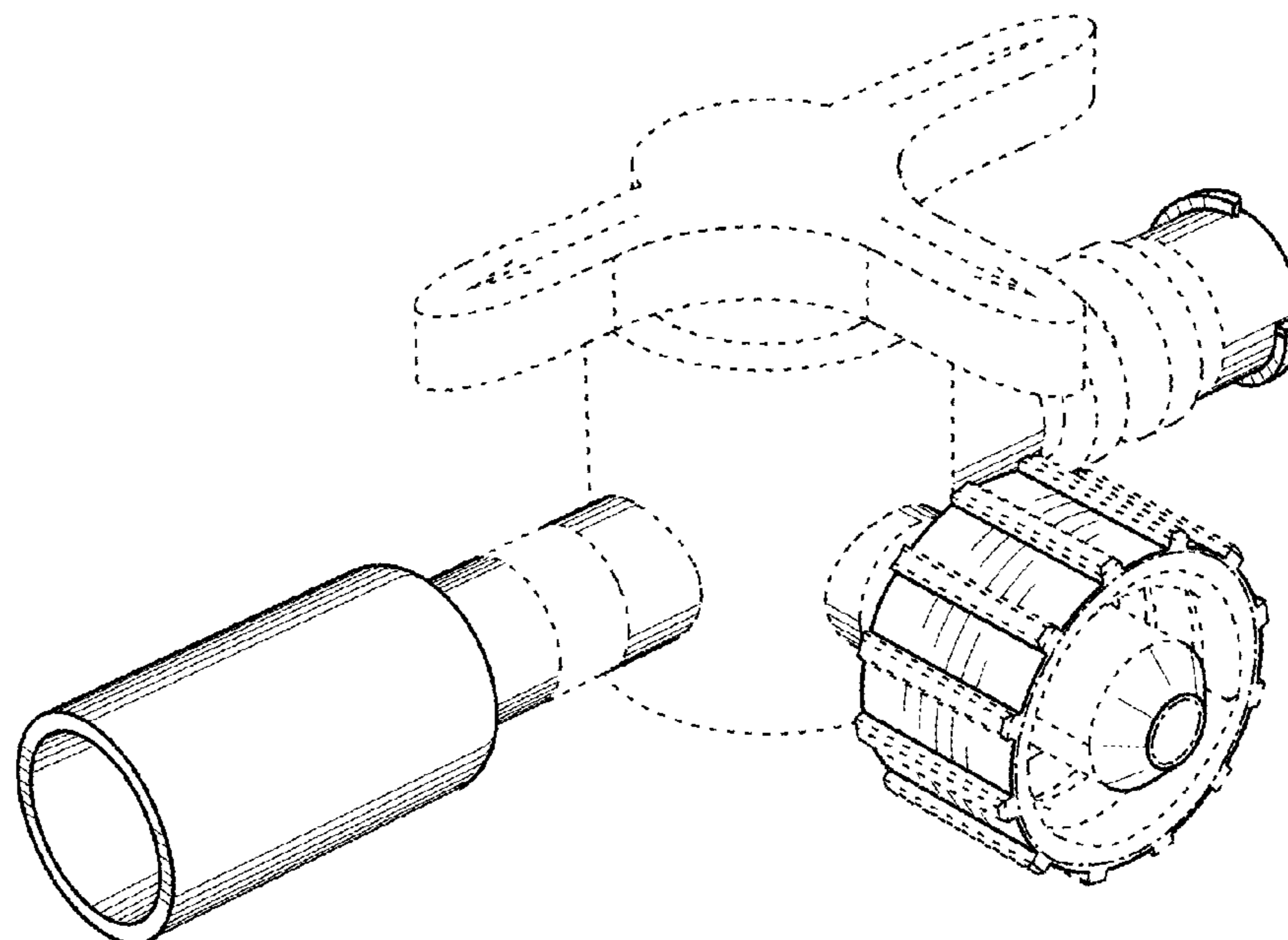
FIG. 6 is a top view of the three-way valve shown in FIG. 1;

FIG. 7 is a bottom view of the three-way valve shown in FIG. 1;

FIG. 8 is another top view of the three-way valve shown in FIG. 1; and,

FIG. 9 is a rear view of the three-way valve shown in FIG. 1 showing a cross-sectional view 9-9 as shown in FIG. 8. The dot-dash broken lines shown in the drawings define the boundaries of the claimed design and form no part thereof. The dashed broken lines shown in the drawings illustrate portions of the three-way valve and form no part of the claimed design.

**1 Claim, 9 Drawing Sheets**



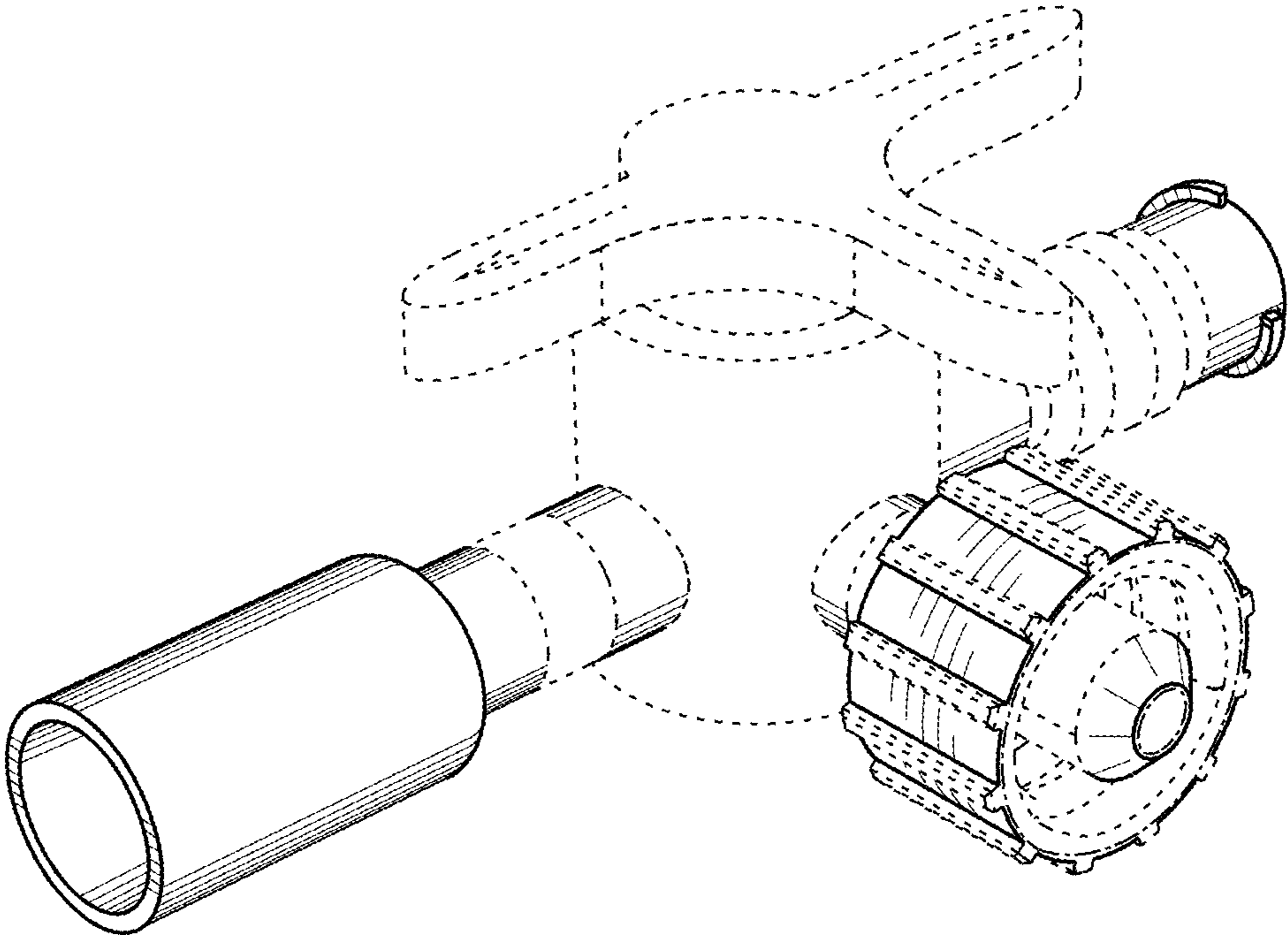


Fig. 1

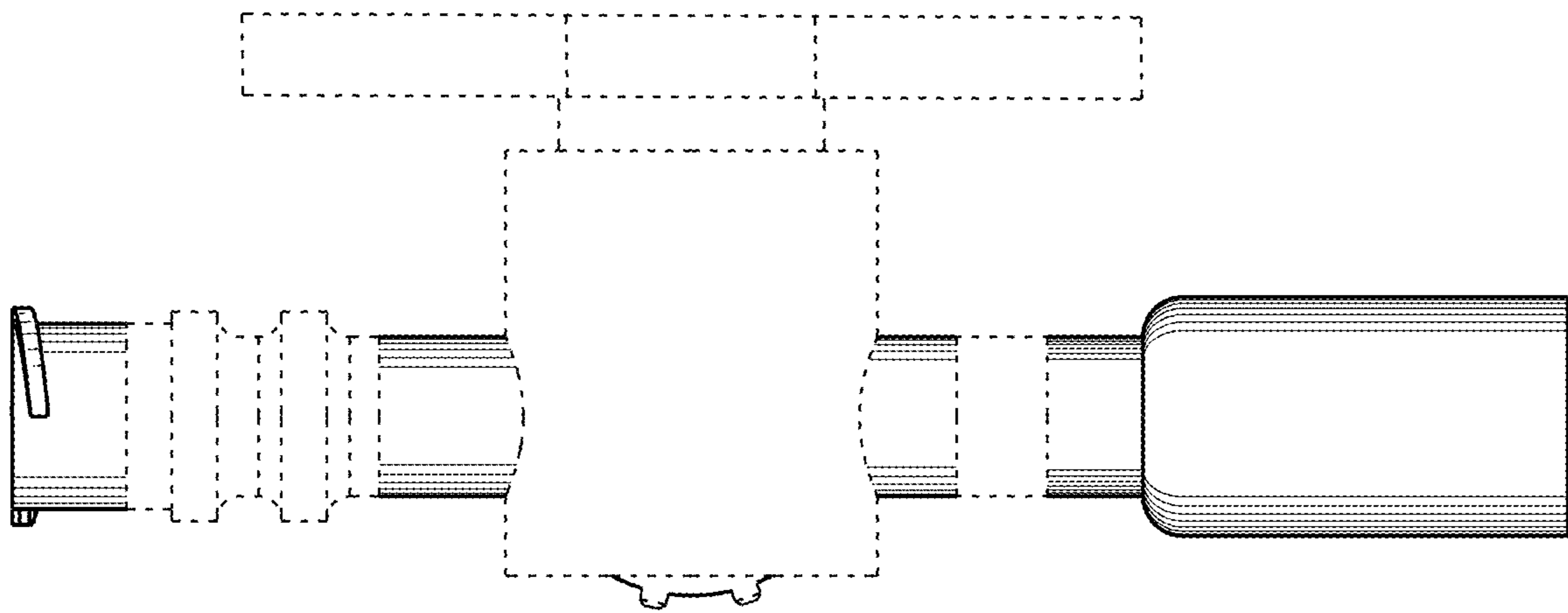


Fig. 2

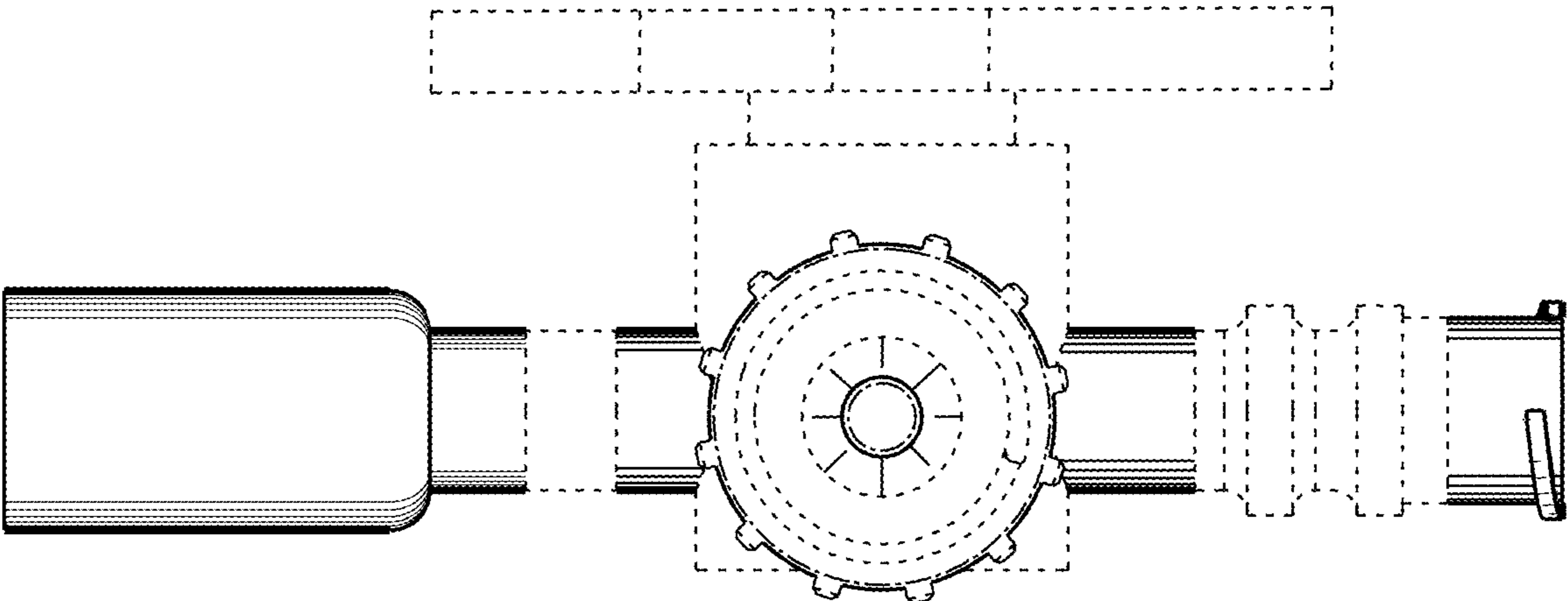


Fig. 3

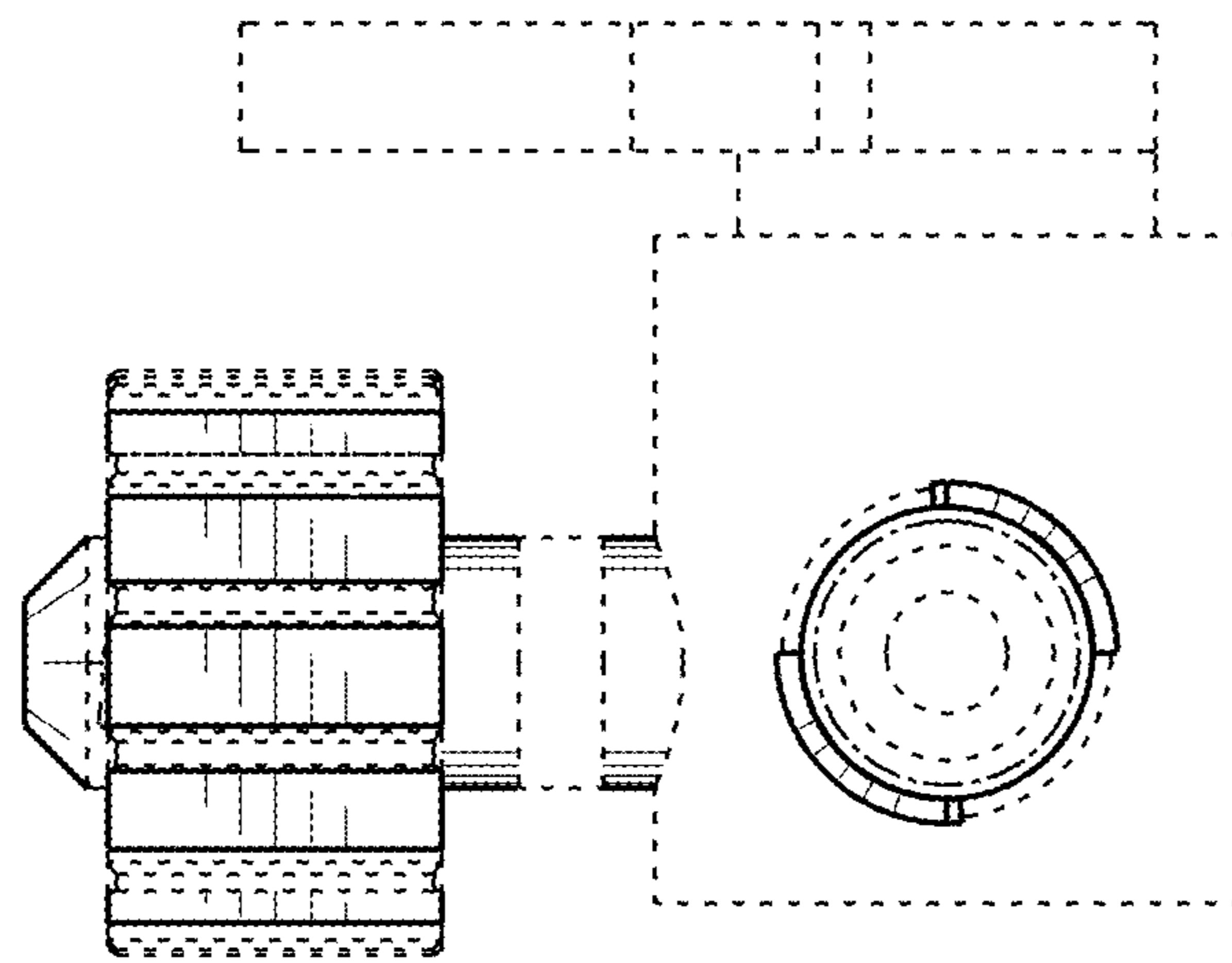


Fig. 4

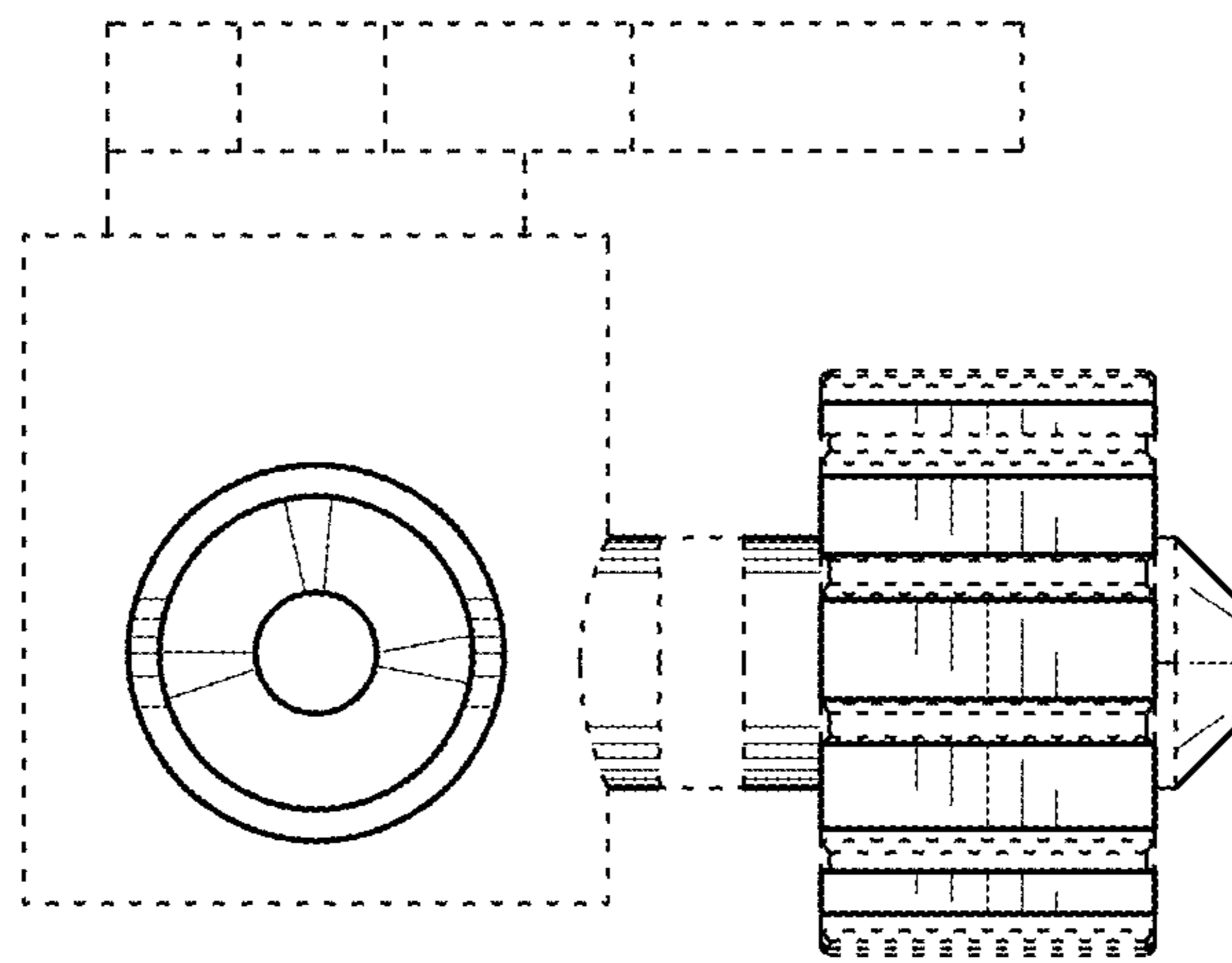


Fig. 5

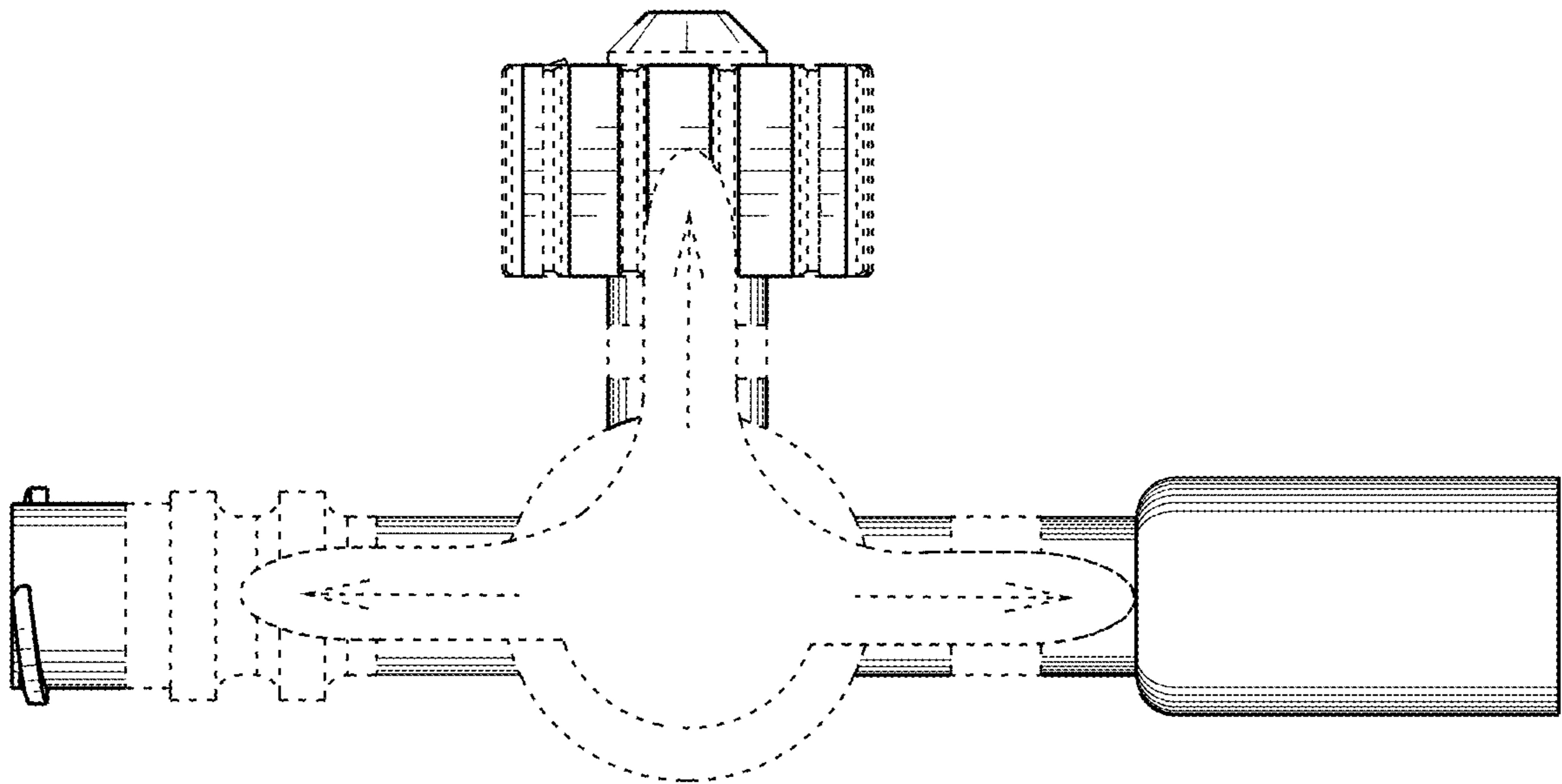


Fig. 6

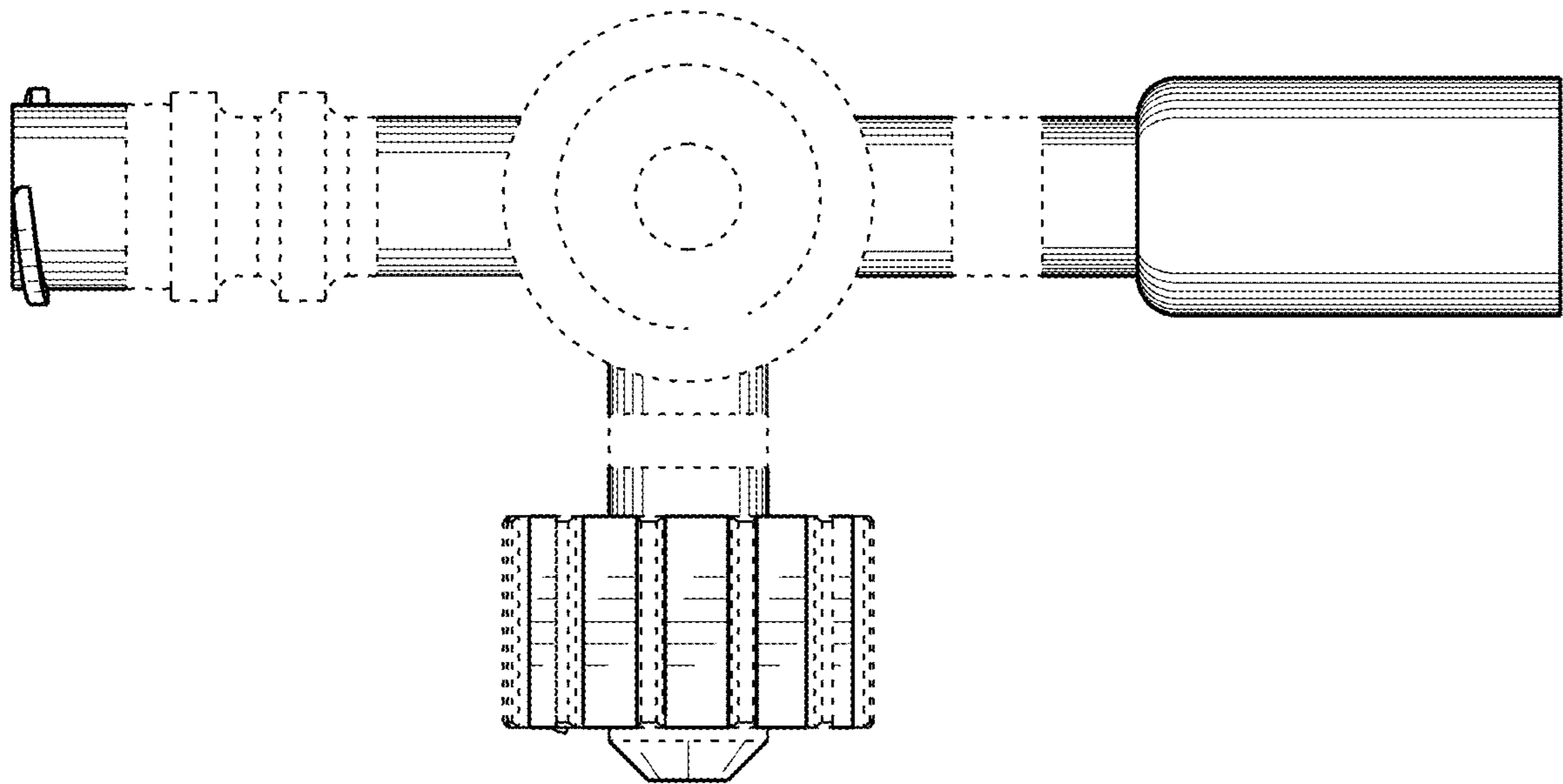


Fig. 7



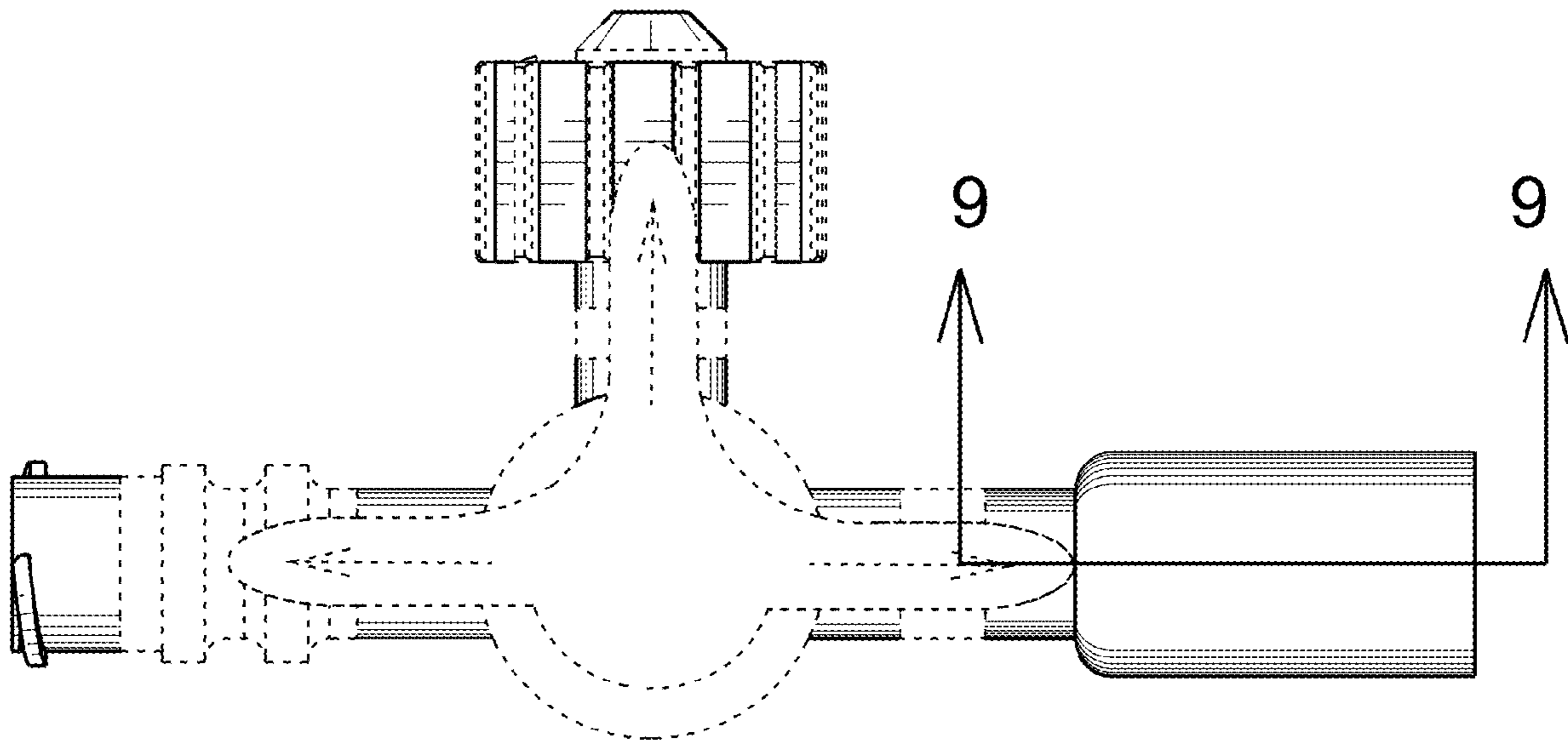


Fig. 8

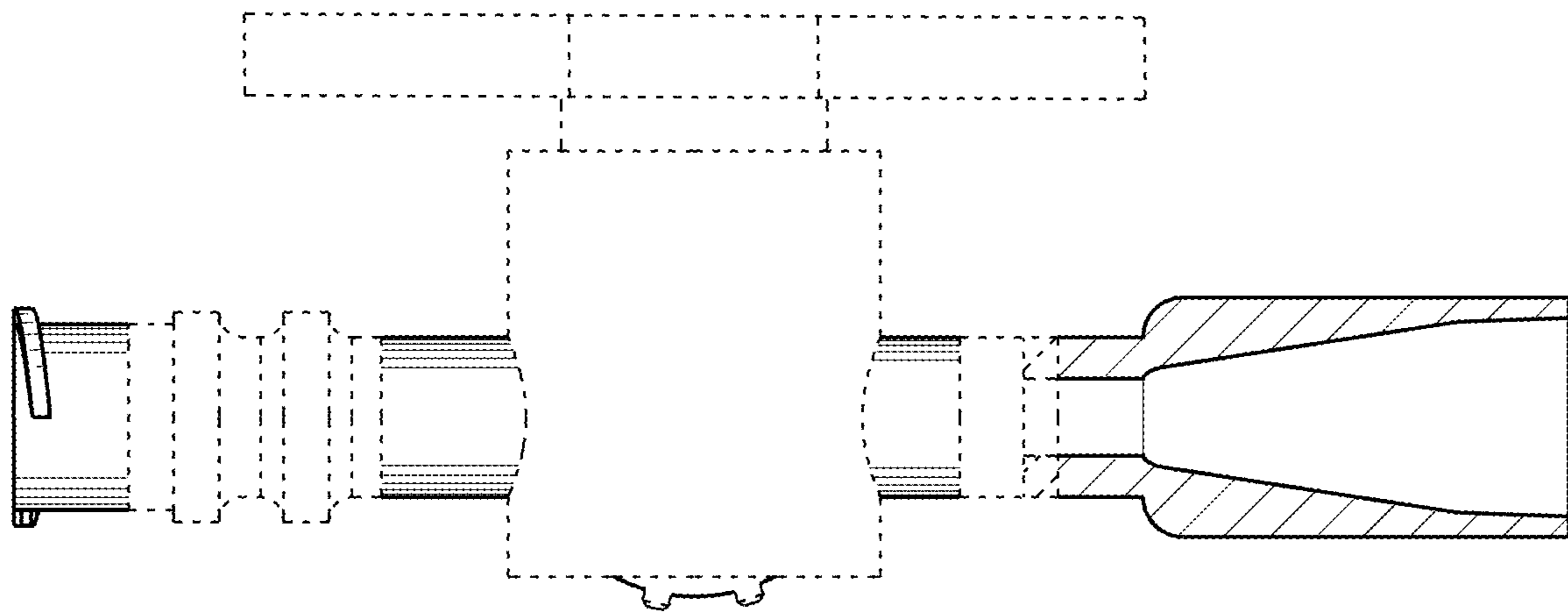


Fig. 9