



US00D886952S

(12) **United States Design Patent** (10) **Patent No.:** **US D886,952 S**  
**Carpiaux et al.** (45) **Date of Patent:** **\*\* Jun. 9, 2020**

(54) **COMBINATION EYEWASH AND FAUCET**

OTHER PUBLICATIONS

- (71) Applicant: **Bradley Fixtures Corporation**,  
Menomonee Falls, WI (US)
- (72) Inventors: **Douglas J. Carpiaux**, Milwaukee, WI  
(US); **Scott Micoley**, Plymouth, WI  
(US)
- (73) Assignee: **Bradley Fixtures Corporation**,  
Menomonee Falls, WI (US)
- (\*\*) Term: **15 Years**
- (21) Appl. No.: **29/719,300**
- (22) Filed: **Jan. 2, 2020**

International Search Report and Written Opinion for International Application No. PCT/US2018/036933, dated Nov. 23, 2018, 23 pages.

(Continued)

*Primary Examiner* — Robert A Delehanty  
(74) *Attorney, Agent, or Firm* — Foley & Lardner LLP

(57) **CLAIM**

We claim the ornamental design for a combination eyewash and faucet, as shown and described.

**DESCRIPTION**

FIG. 1 is a front, right, perspective view of the claimed design with the eyewash and faucet in a first position of a plurality of positions;  
 FIG. 2 is a front side view of the claimed design of FIG. 1;  
 FIG. 3 is a rear side view of the claimed design of FIG. 1;  
 FIG. 4 is a right side view of the claimed design of FIG. 1;  
 FIG. 5 is a left side view of the claimed design of FIG. 1;  
 FIG. 6 is a top view of the claimed design of FIG. 1;  
 FIG. 7 is a front, right, perspective view of the claimed design of FIG. 1 with the eyewash and faucet in a second position of a plurality of positions;  
 FIG. 8 is a front side view of the claimed design of FIG. 7;  
 FIG. 9 is a rear side view of the claimed design of FIG. 7;  
 FIG. 10 is a right side view of the claimed design of FIG. 7;  
 FIG. 11 is a left side view of the claimed design of FIG. 7;  
 and,  
 FIG. 12 is a top view of the claimed design of FIG. 7.  
 The ornamental design which is claimed is shown in solid lines in the drawings. The broken lines in the drawings are for illustrative purposes only and form no part of the claimed design. Broken away symbols having a jagged element show that no particular length or width of the portion is claimed. Oblique lines show a transparent, reflective, or shiny surface, and not surface ornamentation.

**Related U.S. Application Data**

- (62) Division of application No. 29/669,058, filed on Nov. 5, 2018, which is a division of application No. 29/607,253, filed on Jun. 12, 2017, now abandoned.
- (51) **LOC (12) Cl.** ..... **23-01**
- (52) **U.S. Cl.**  
USPC ..... **D23/238**
- (58) **Field of Classification Search**  
USPC ..... D23/238–243, 249–250, 252, 254–255,  
D23/257; D8/307–308  
(Continued)

(56) **References Cited**

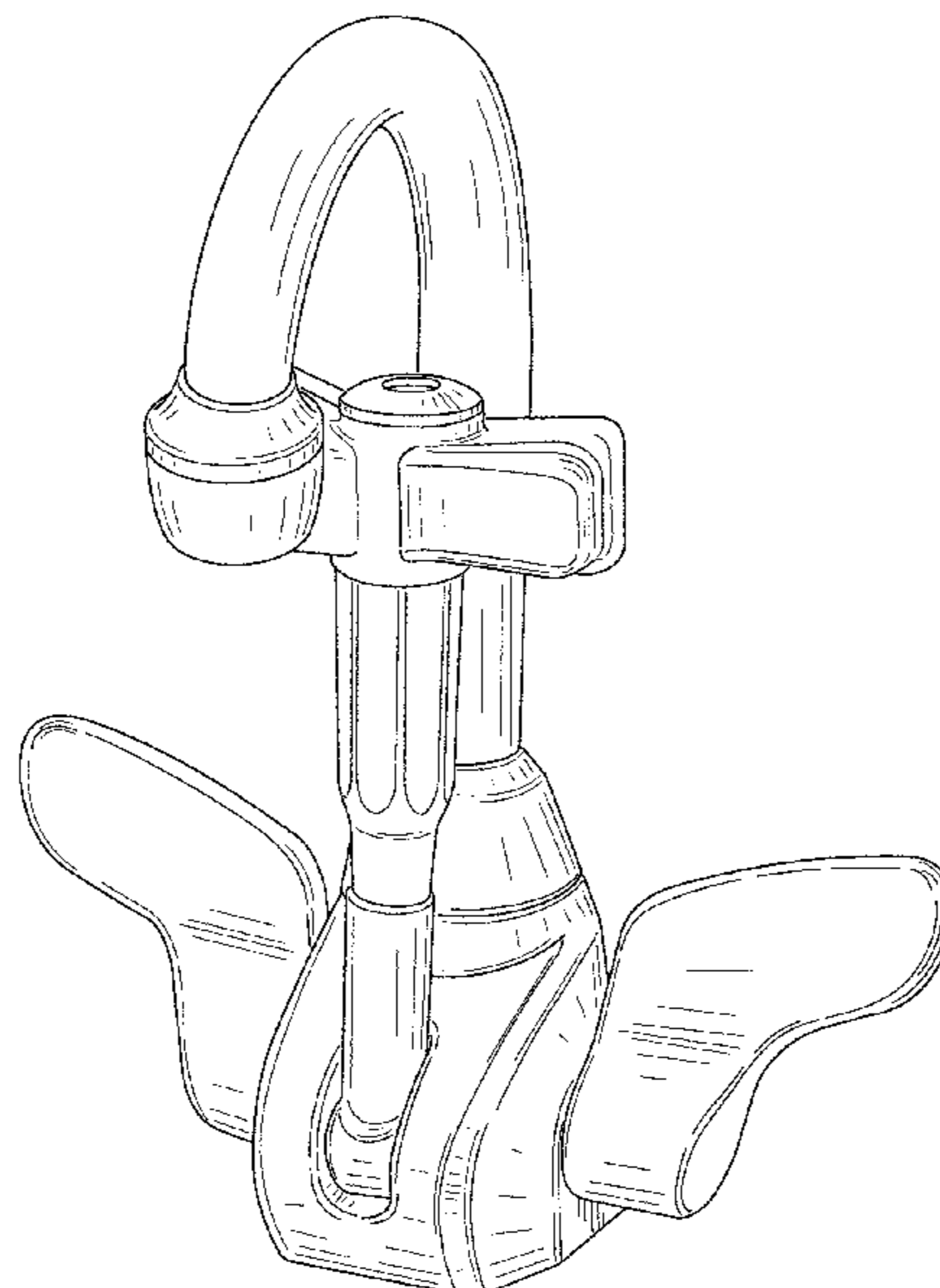
**U.S. PATENT DOCUMENTS**

- 1,079,441 A 11/1913 Roethlisberger
  - 1,354,838 A 10/1920 Perkins
- (Continued)

**FOREIGN PATENT DOCUMENTS**

WO WO-2008/067879 A1 6/2008

**1 Claim, 12 Drawing Sheets**



(58) **Field of Classification Search**  
 CPC ..... A61H 35/02; A61H 2033/012; Y10T  
 137/9464  
 See application file for complete search history.

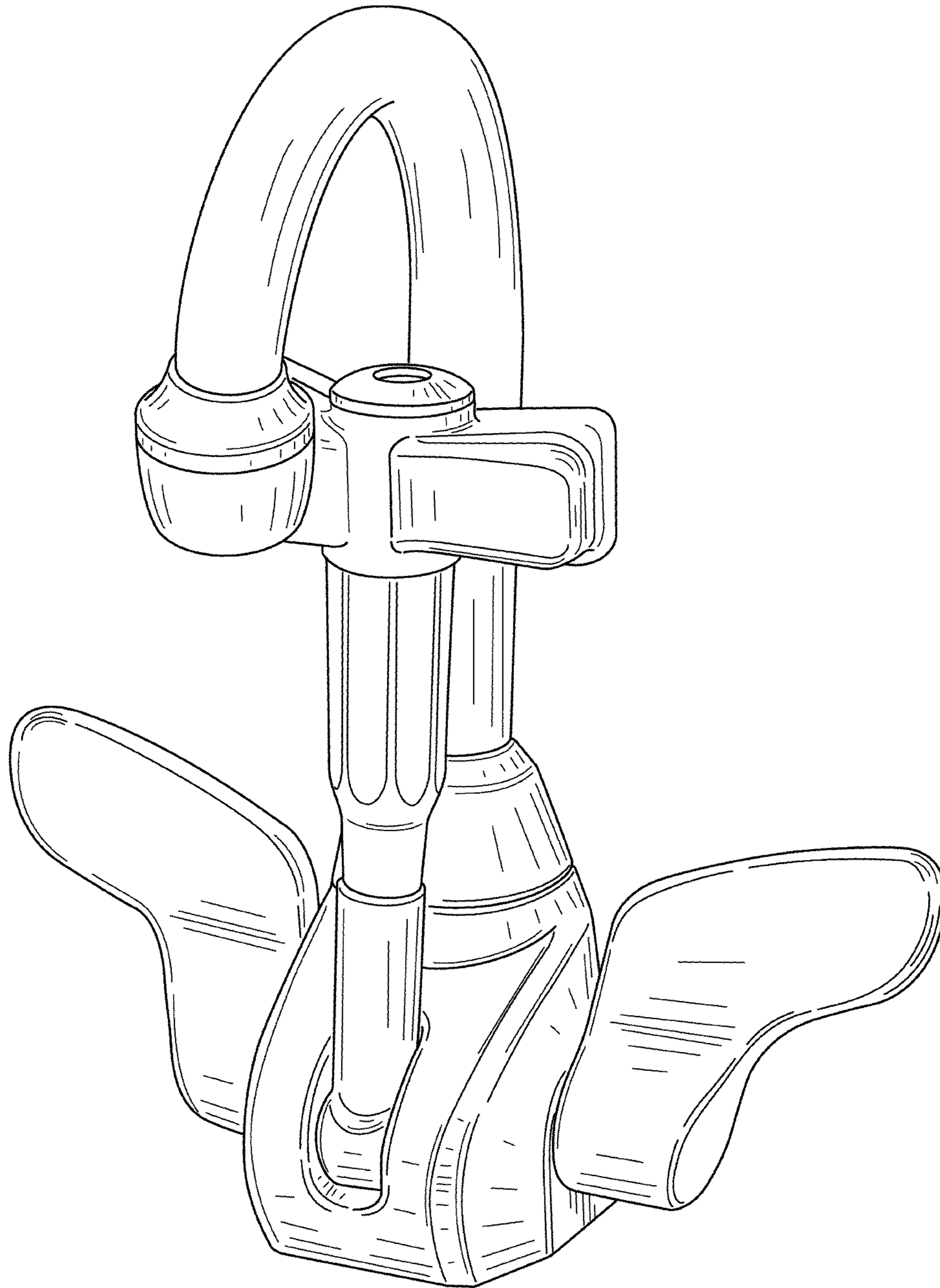
(56) **References Cited**  
 U.S. PATENT DOCUMENTS

1,524,484	A	1/1925	Lutz
2,635,006	A	4/1953	Richmond
2,999,249	A	9/1961	Logan et al.
3,925,829	A	12/1975	Bost
4,688,276	A	8/1987	Allison et al.
4,901,927	A	2/1990	Valdivia
4,975,993	A	12/1990	Black et al.
D330,071	S	10/1992	Zerlia
5,170,518	A	12/1992	Warriner
5,530,972	A	7/1996	Tanner
D373,815	S	9/1996	Chaney

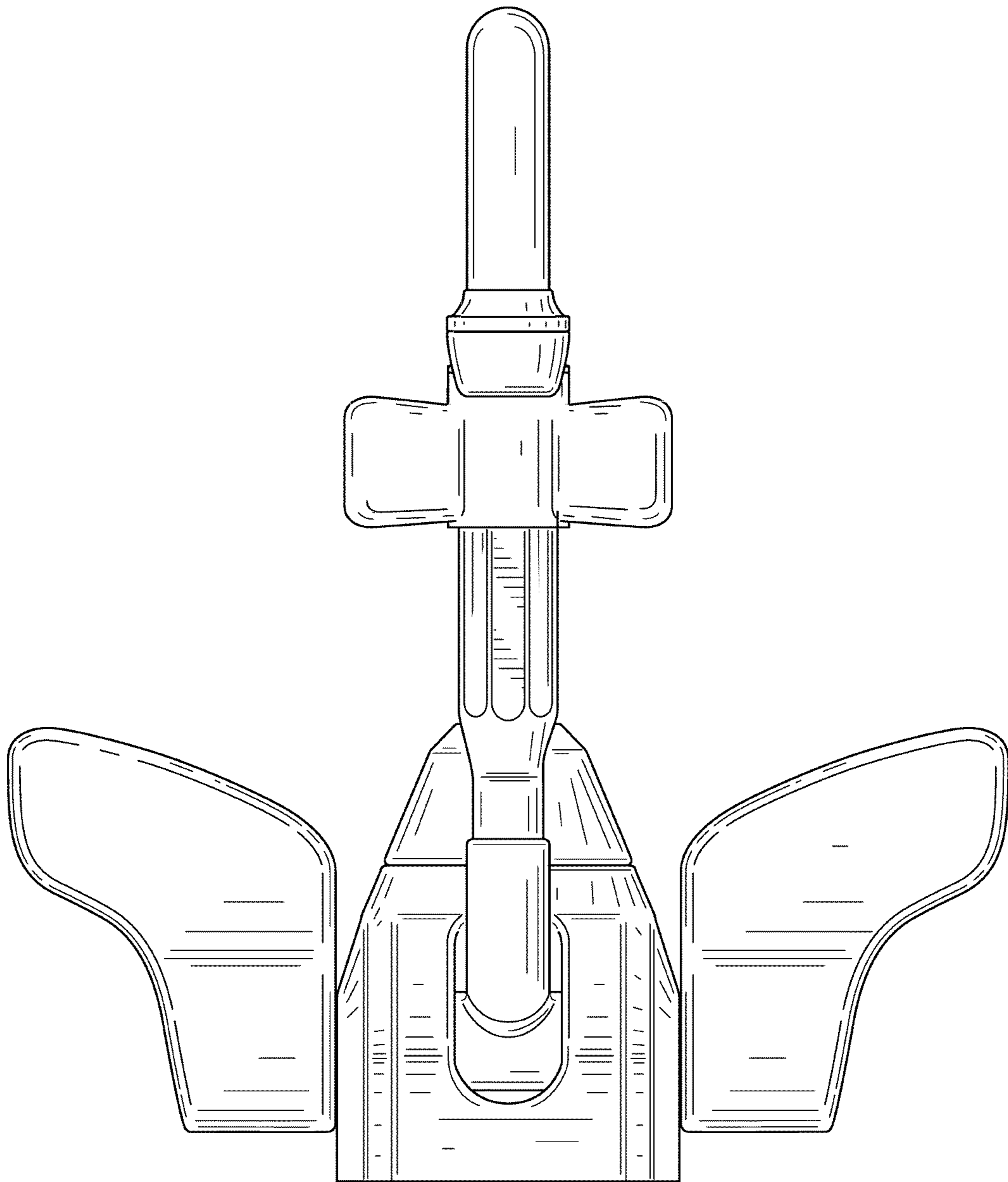
5,740,569	A	4/1998	Gurries et al.
D437,394	S	2/2001	Mark et al.
6,227,456	B1	5/2001	Colman
6,385,794	B1	5/2002	Miedzius et al.
6,520,431	B2	2/2003	Donovan
6,611,972	B2	9/2003	Underbrink et al.
6,782,568	B2	8/2004	Novak et al.
D543,827	S	6/2007	Citterio
7,552,747	B1	6/2009	Sargsyan
7,997,513	B2	8/2011	Chen et al.
D706,399	S	6/2014	Yang et al.
9,492,348	B2	11/2016	Novak et al.
9,855,189	B2	1/2018	Eveleigh et al.
2002/0175226	A1	11/2002	Donovan
2012/0096639	A1	4/2012	Stanley et al.

OTHER PUBLICATIONS

Speakman Eyewash-Faucets, website <http://speakman.com/emergency-equipment/eyewash-faucet>, 2017, 2 pages.

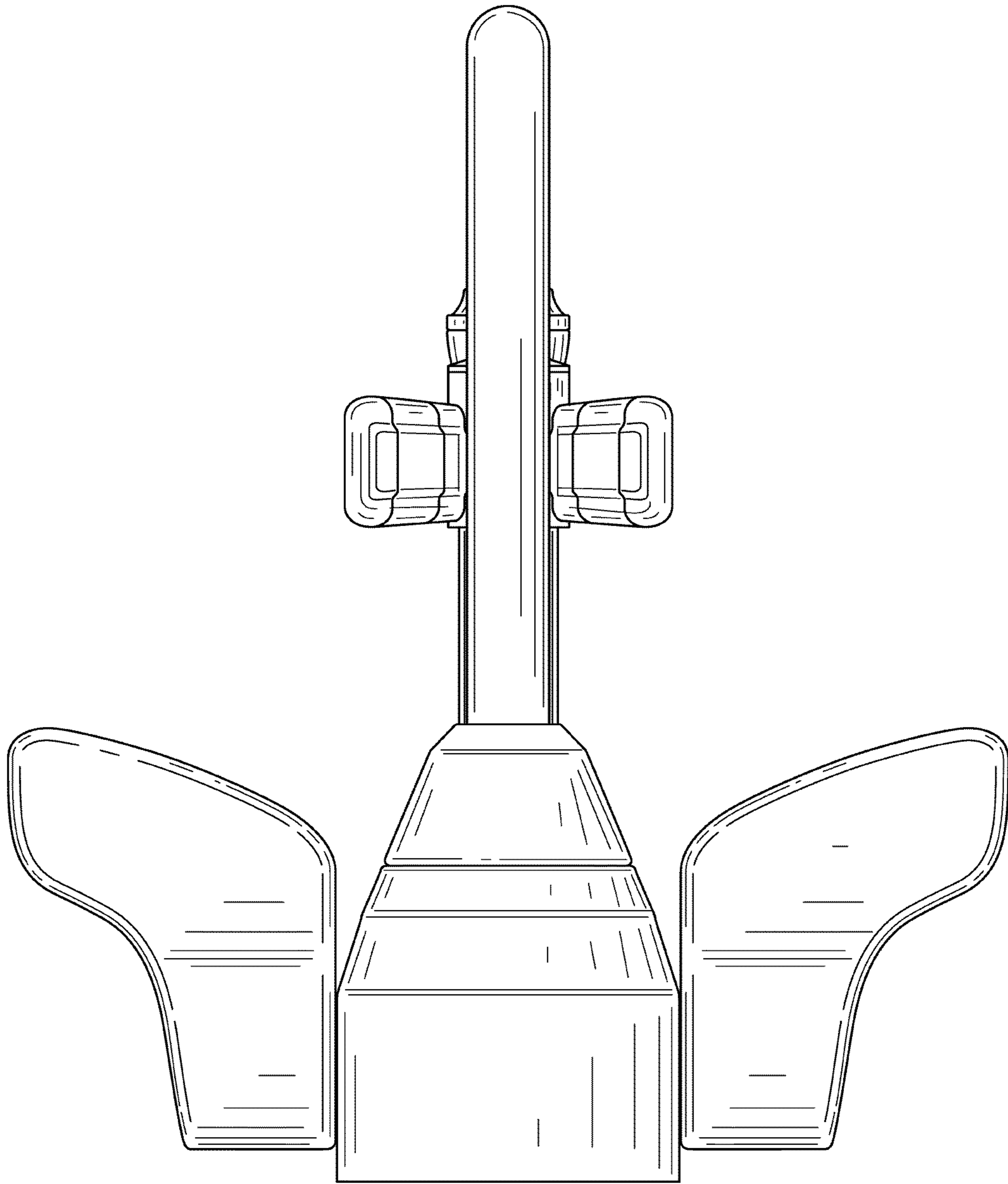


**FIG. 1**

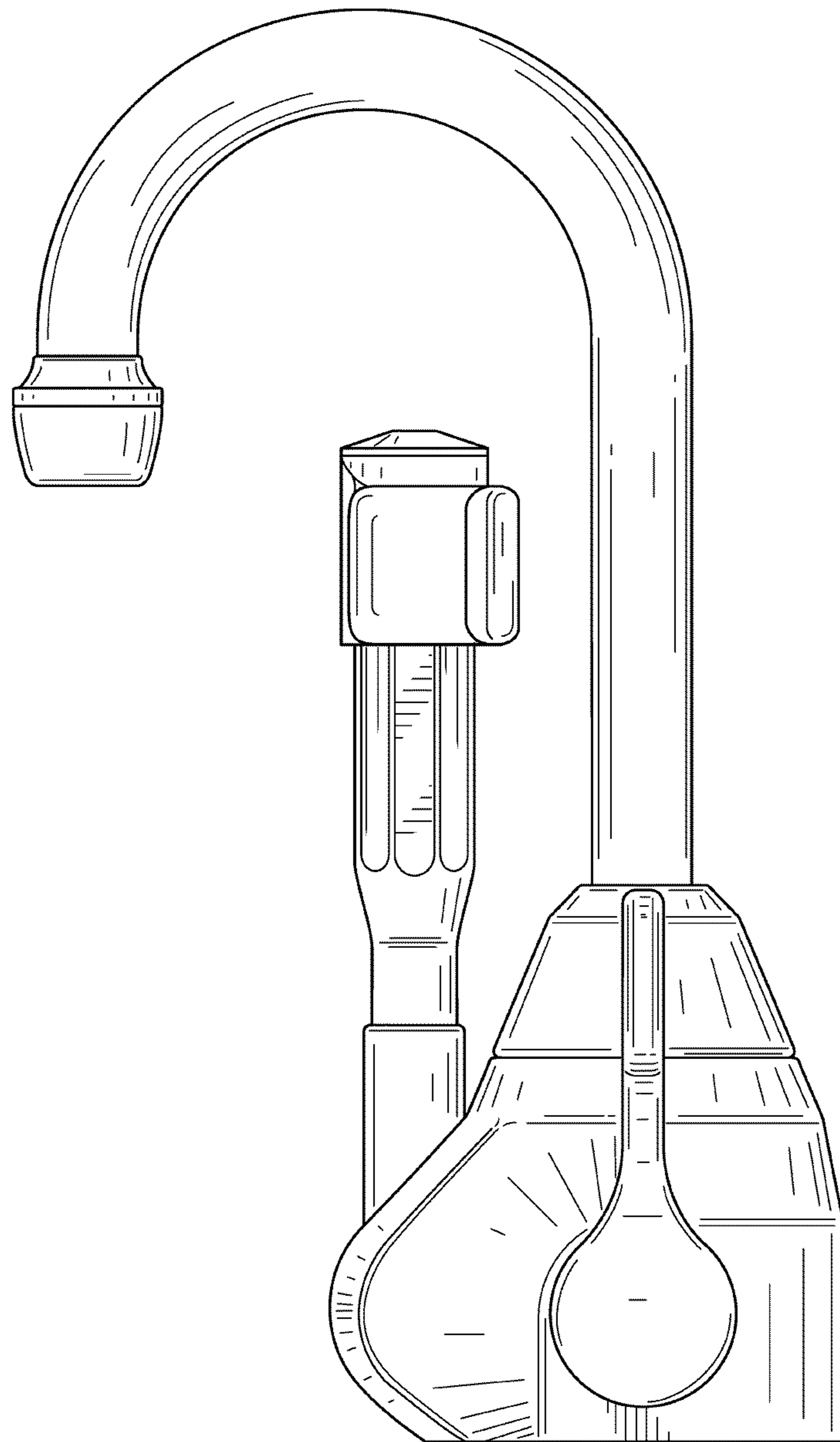


**FIG. 2**

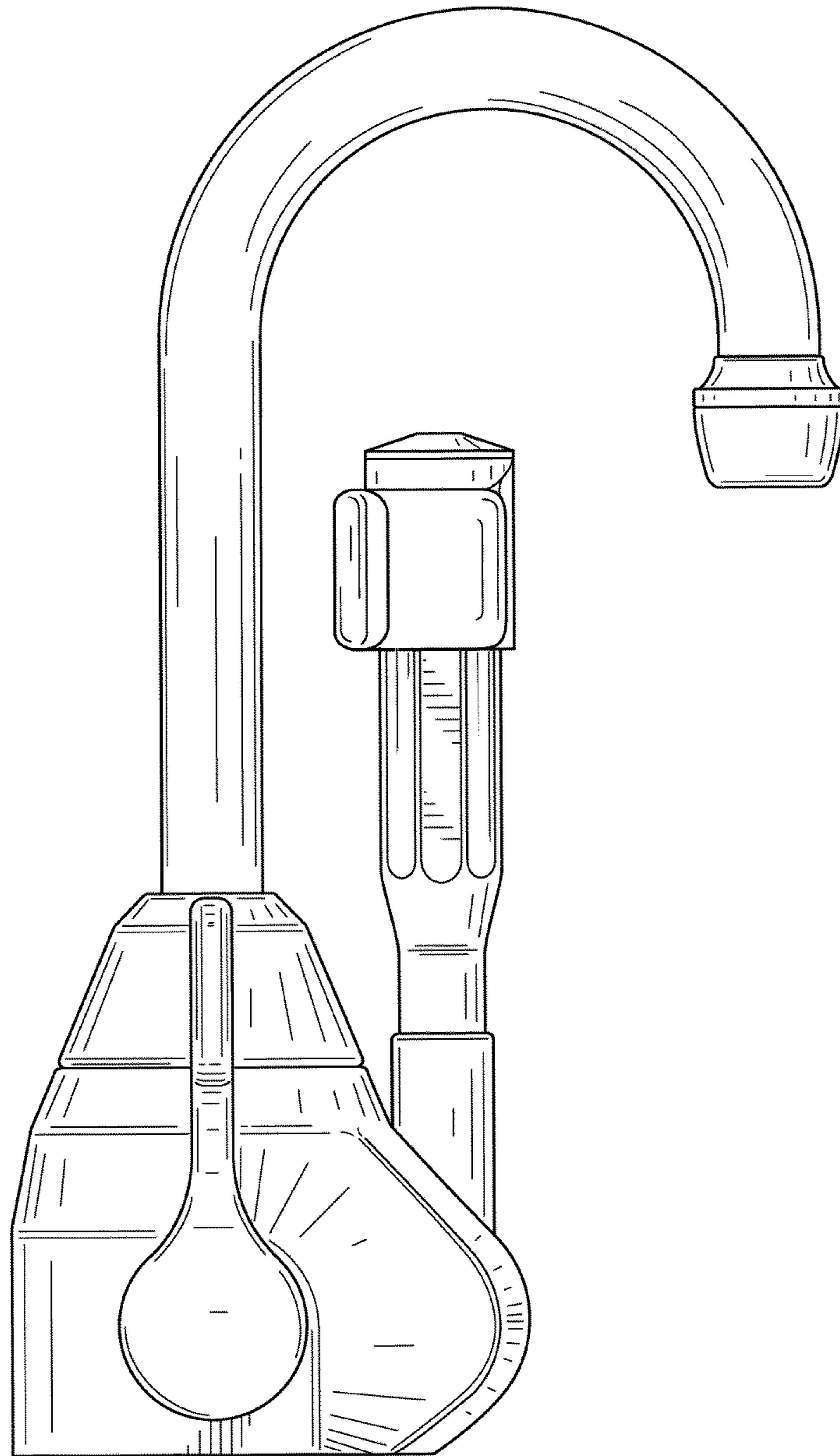




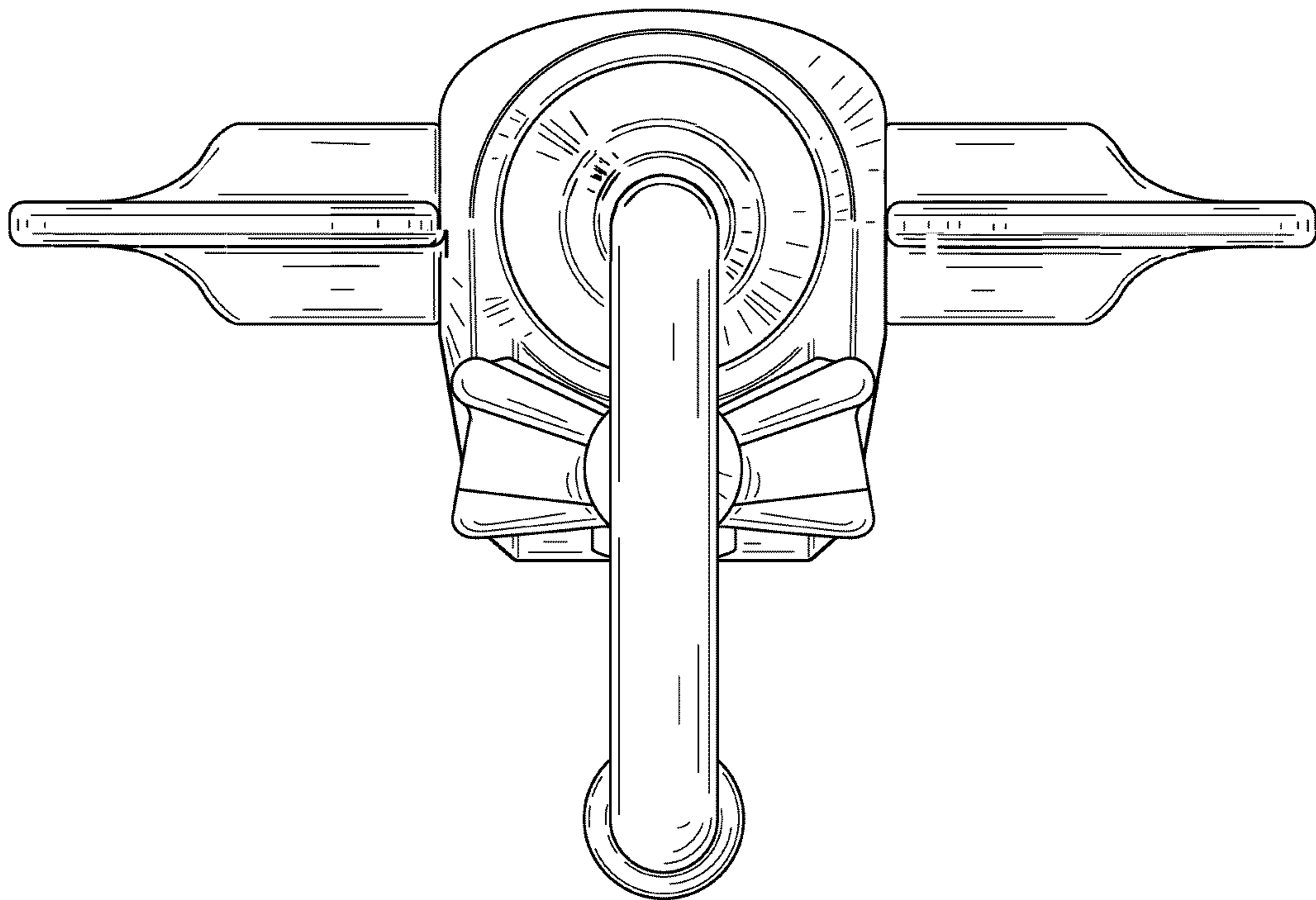
**FIG. 3**



**FIG. 4**

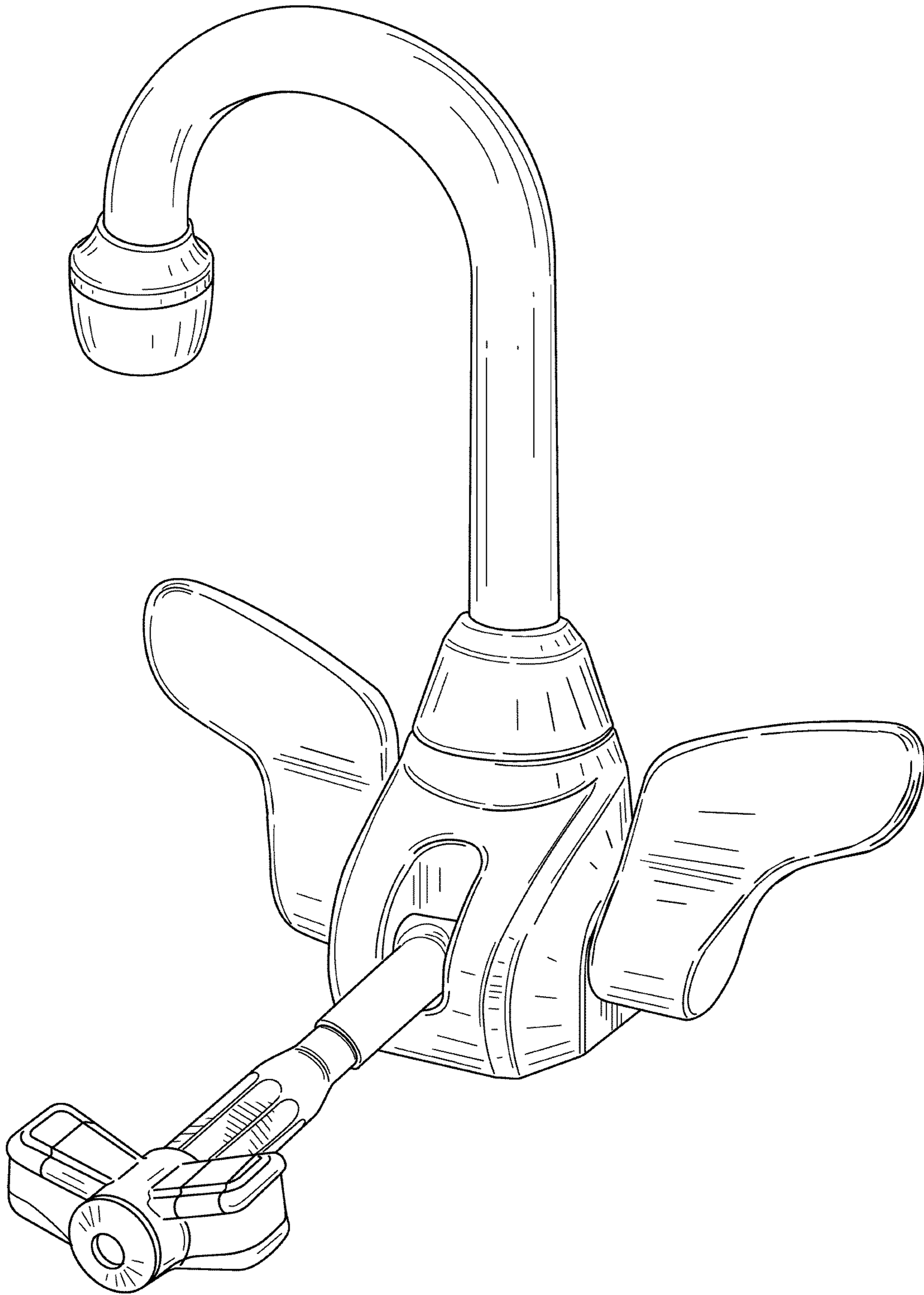


**FIG. 5**

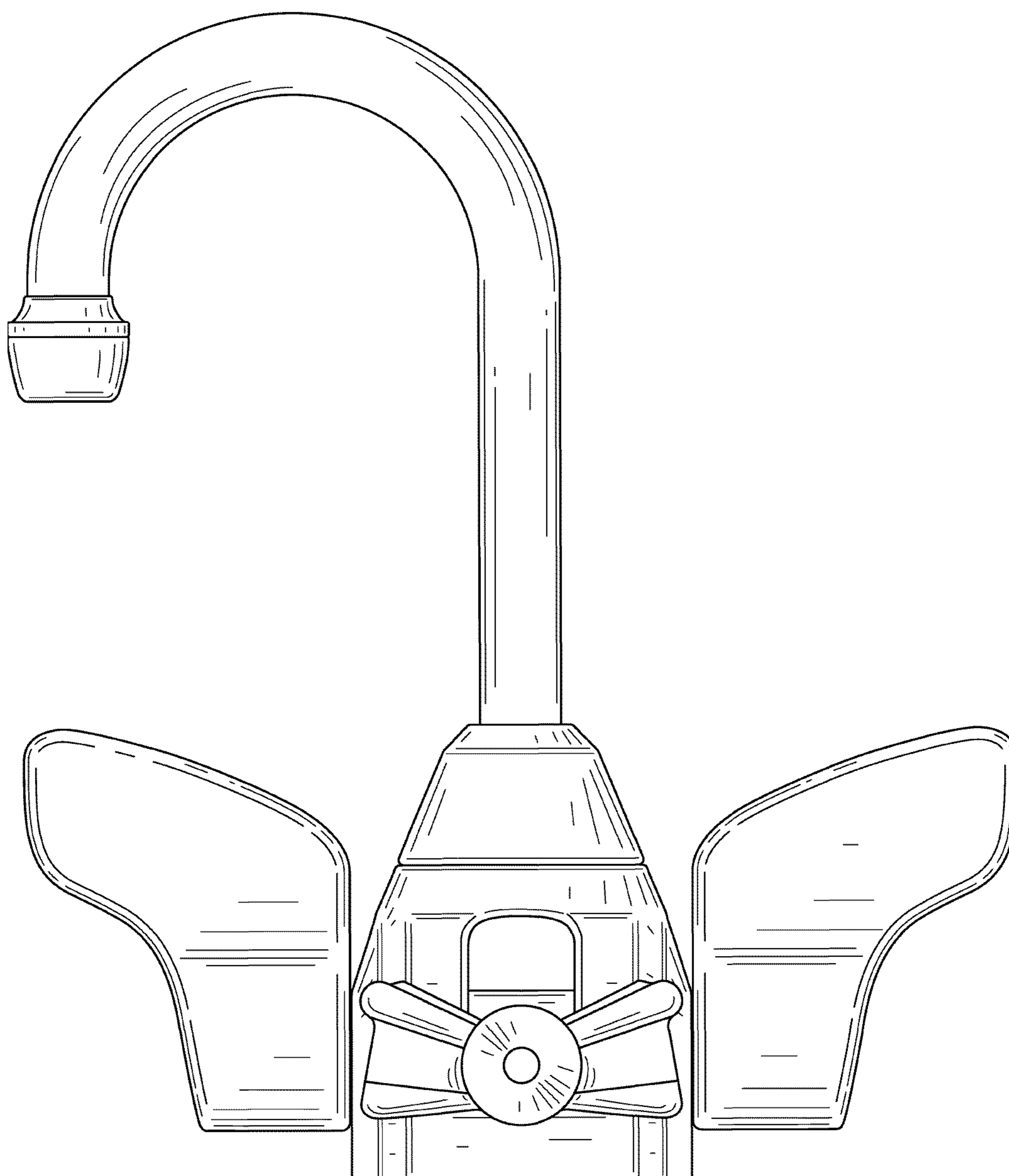


**FIG. 6**

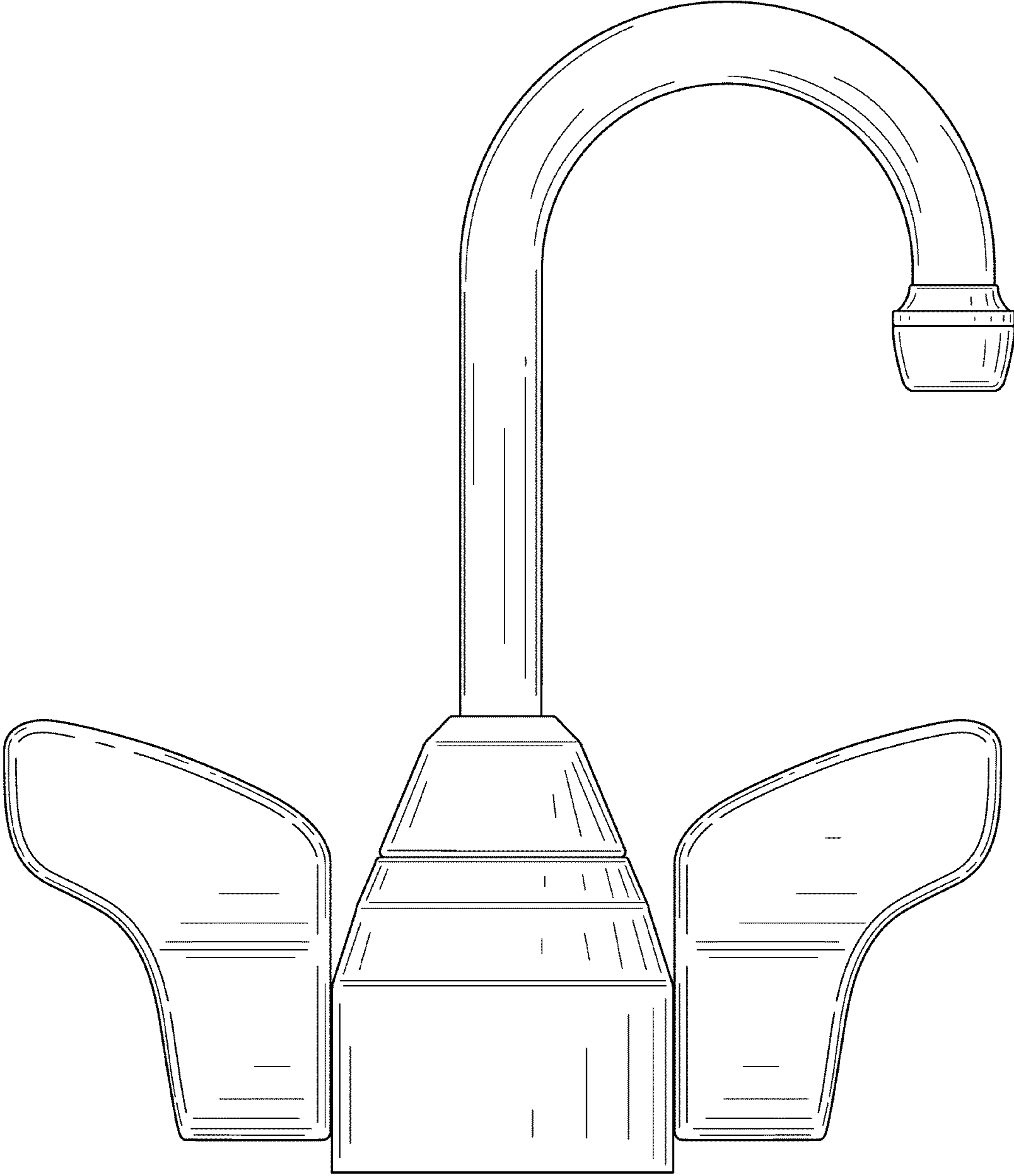




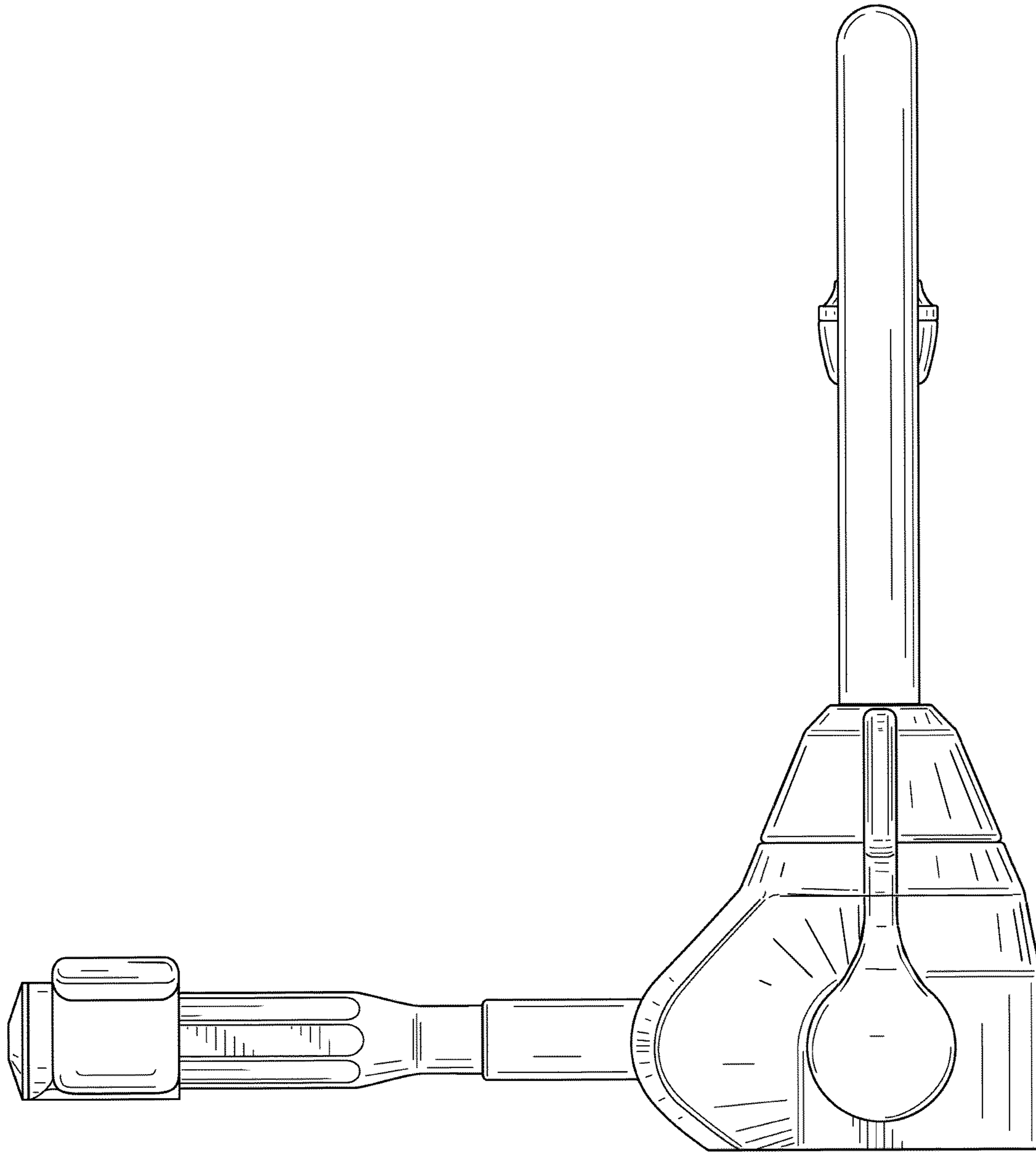
**FIG. 7**



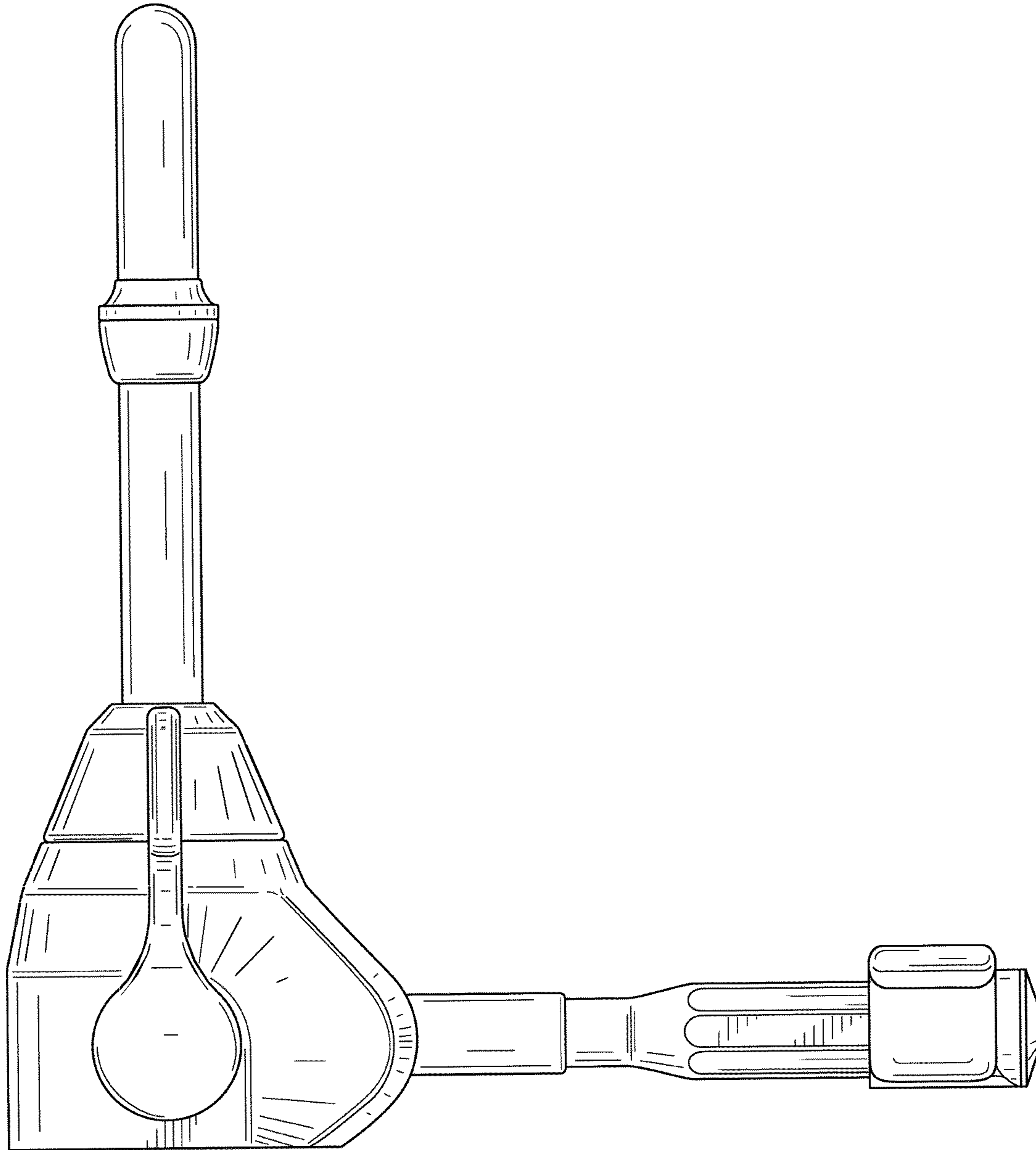
**FIG. 8**



**FIG. 9**

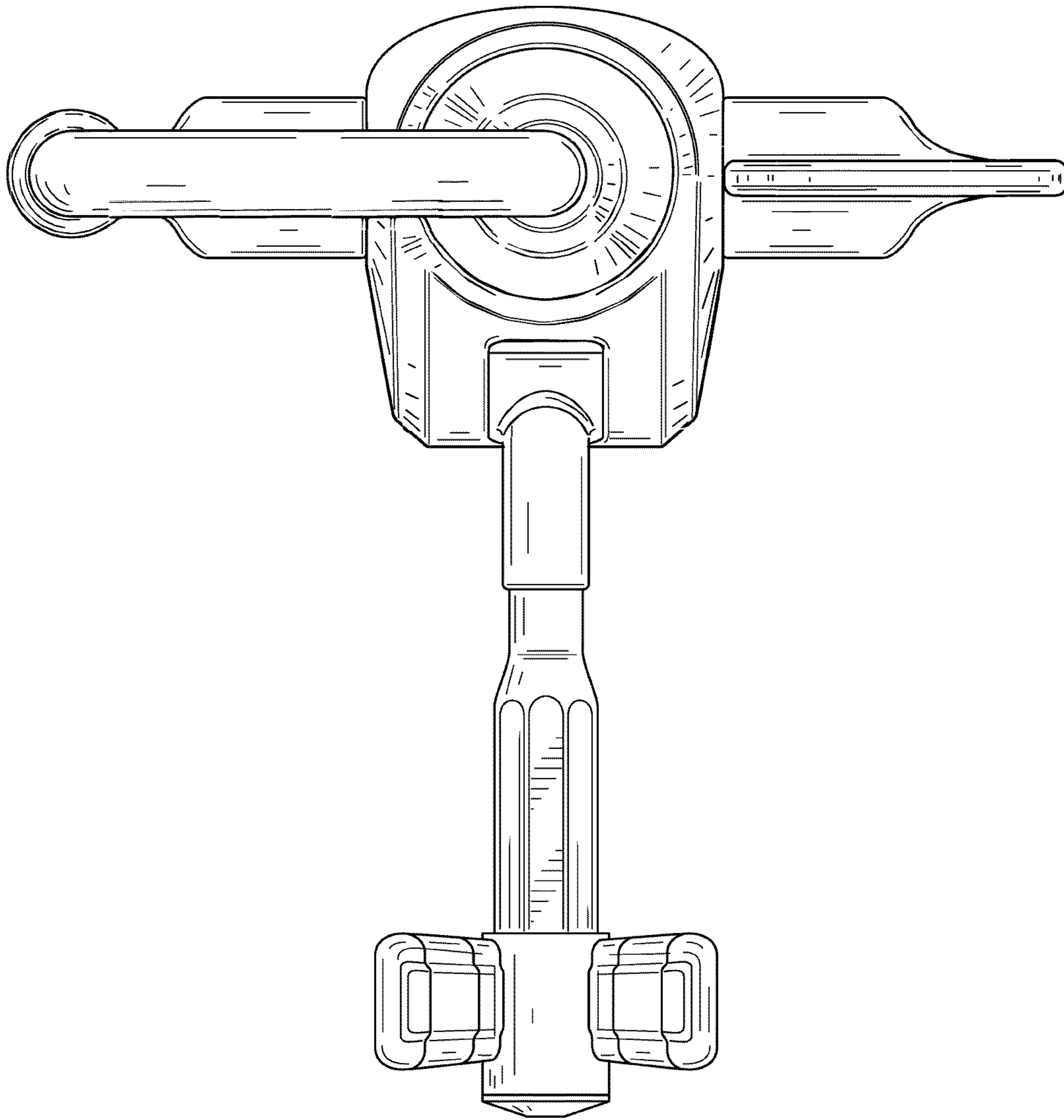


**FIG. 10**



**FIG. 11**





**FIG. 12**