



US00D886951S

(12) **United States Design Patent**
Peterson et al.

(10) **Patent No.:** **US D886,951 S**
(45) **Date of Patent:** **** Jun. 9, 2020**

- (54) **BALL VALVE SEAT**
- (71) Applicant: **Bridon Industries, Inc.**, Shakopee, MN (US)
- (72) Inventors: **Craig L. Peterson**, Carver, MN (US);
Todd R. Becken, Carver, MN (US)
- (73) Assignee: **Bridon Industries, Inc.**, Shakopee, MN (US)
- (**) Term: **15 Years**
- (21) Appl. No.: **29/661,206**
- (22) Filed: **Aug. 24, 2018**
- (51) **LOC (12) Cl.** **23-01**
- (52) **U.S. Cl.**
USPC **D23/233; D23/269**
- (58) **Field of Classification Search**
USPC D23/230, 233–234, 236–237, 249,
D23/259–261, 269; 137/15.23, 533.15,
137/533.11; 251/314, 315, 357, 359–362,
251/368
See application file for complete search history.

D731,035 S	6/2015	Lo Cicero	
D748,228 S	1/2016	Bayyouk et al.	
9,541,203 B2	1/2017	Dalluge	
D785,144 S *	4/2017	Kitagawa	D23/269
D818,089 S *	5/2018	Kim	D23/269
D834,156 S *	11/2018	Soria	D23/269
2001/0029981 A1 *	10/2001	Penza	F04B 39/1053 137/516.23
2012/0292550 A1 *	11/2012	Meek	F16K 3/0236 251/359
2013/0168591 A1 *	7/2013	Webster	F16K 99/00 251/328
2015/0226342 A1 *	8/2015	Lo Cicero	F16K 5/0673 251/314

* cited by examiner

Primary Examiner — Amy C Wierenga

(74) *Attorney, Agent, or Firm* — Dicke, Billig & Czaja, PLLC

(57) **CLAIM**

The ornamental design for a ball valve seat, substantially as shown and described.

DESCRIPTION

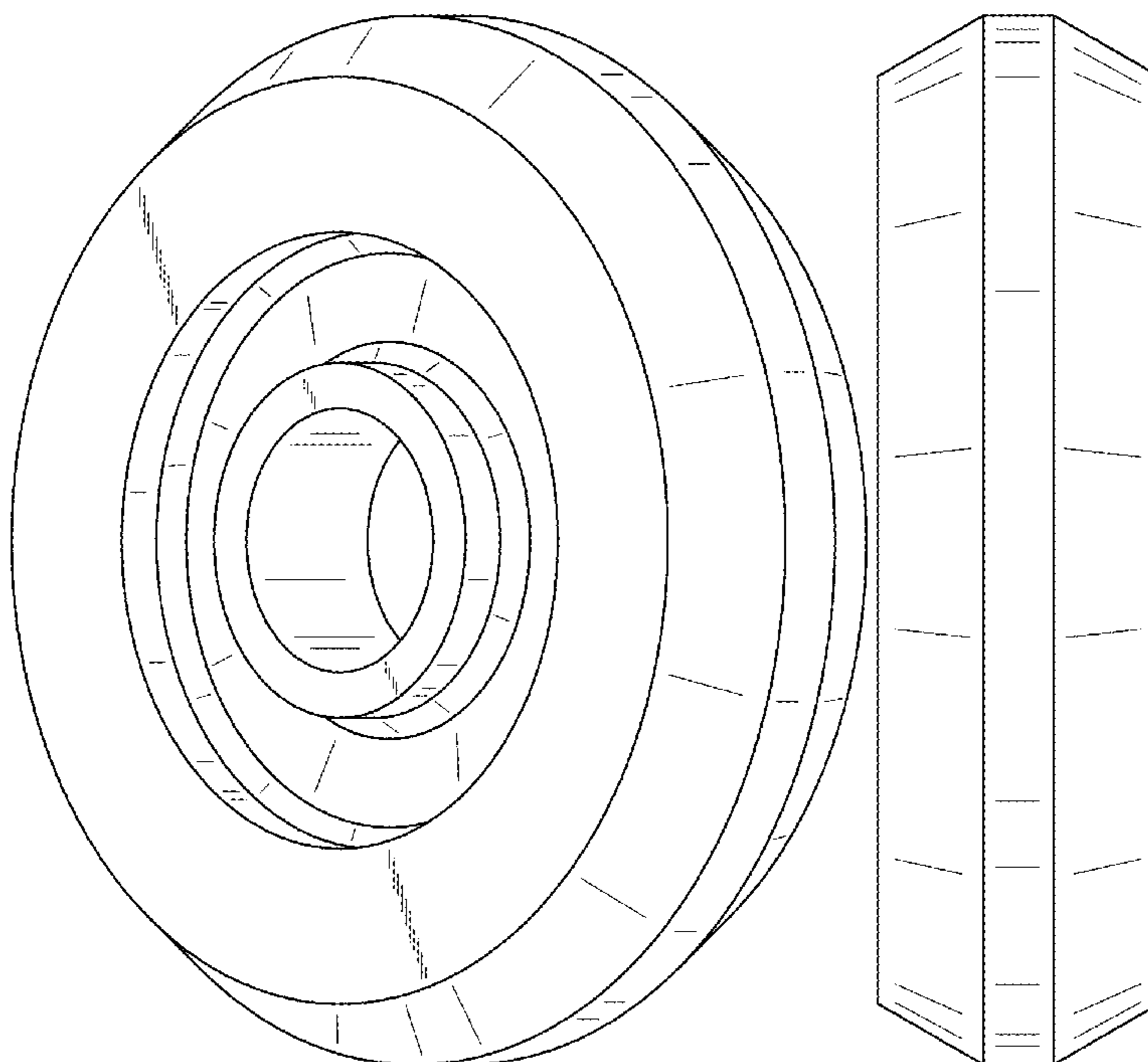
FIG. 1 is a left-front perspective view of the Design for the ball valve seat;
 FIG. 2 is a right-front perspective view thereof;
 FIG. 3 is a left view thereof;
 FIG. 4 is a right view thereof;
 FIG. 5 is a front view thereof, the rear, the top, and the bottom views thereof being the same as the front view thereof; and,
 FIG. 6 is a cross-sectional view thereof taken along line 6-6 of FIG. 4.

1 Claim, 6 Drawing Sheets

(56) **References Cited**

U.S. PATENT DOCUMENTS

D351,459 S *	10/1994	Andersson	D23/269
D374,710 S	10/1996	Gustafsson	
D514,671 S *	2/2006	Jones	D23/269
D563,531 S *	3/2008	Katsura	D23/269
D574,934 S *	8/2008	Darce	D23/269
D607,091 S *	12/2009	Weston	D23/269
D614,271 S	4/2010	Weston	
D633,991 S	3/2011	Nakagawa	
D700,682 S *	3/2014	Bayyouk	D23/233



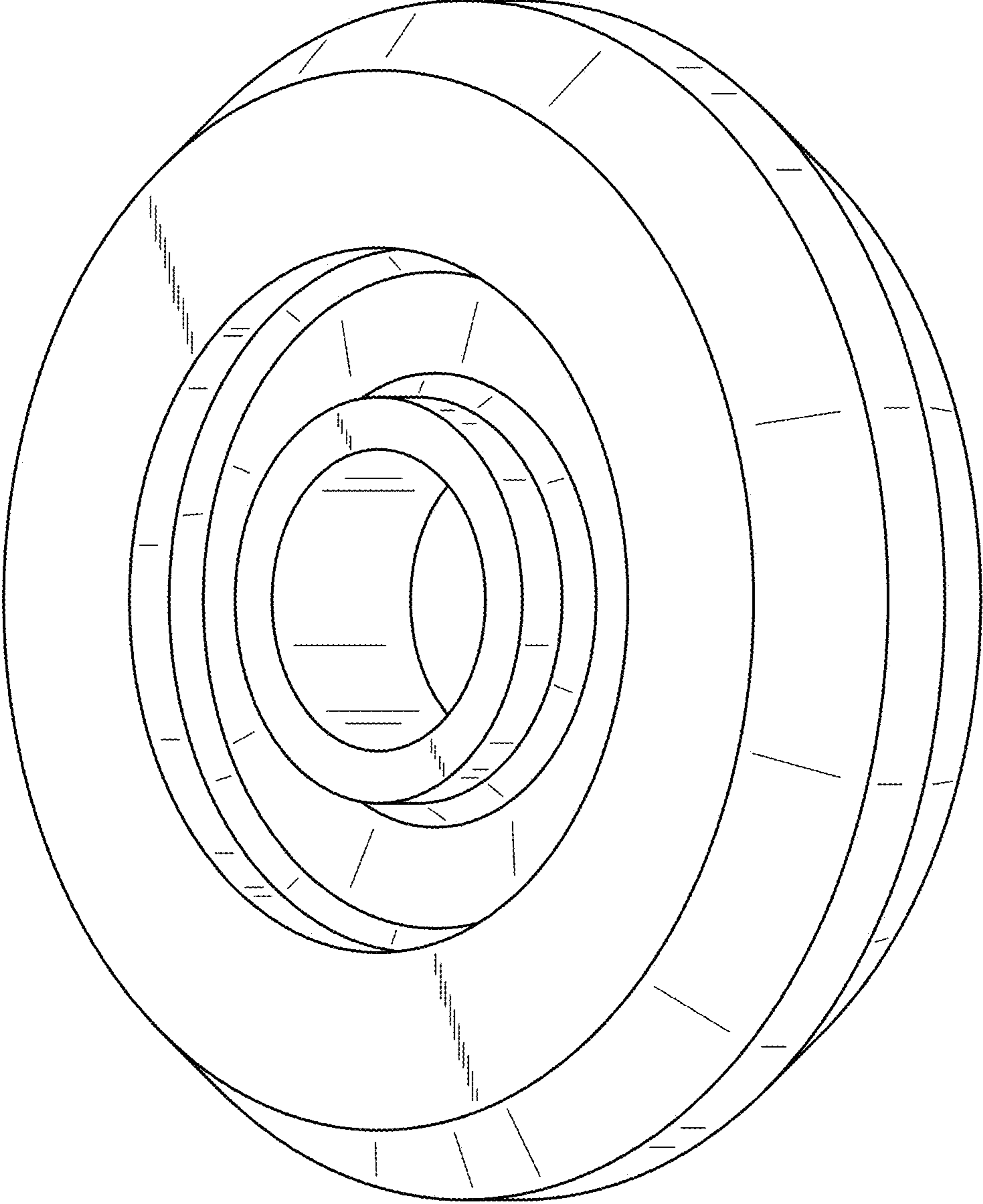


FIG. 1

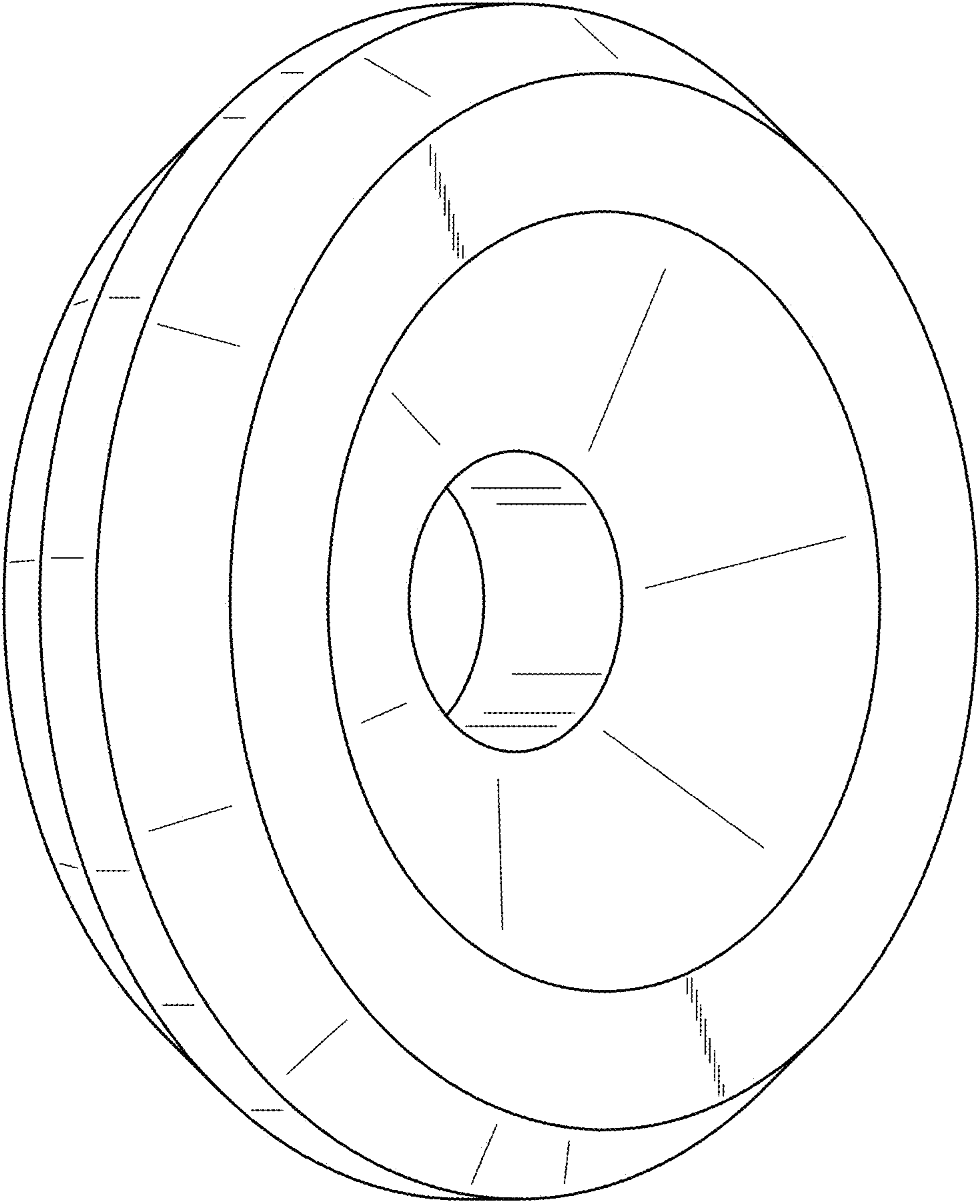


FIG. 2

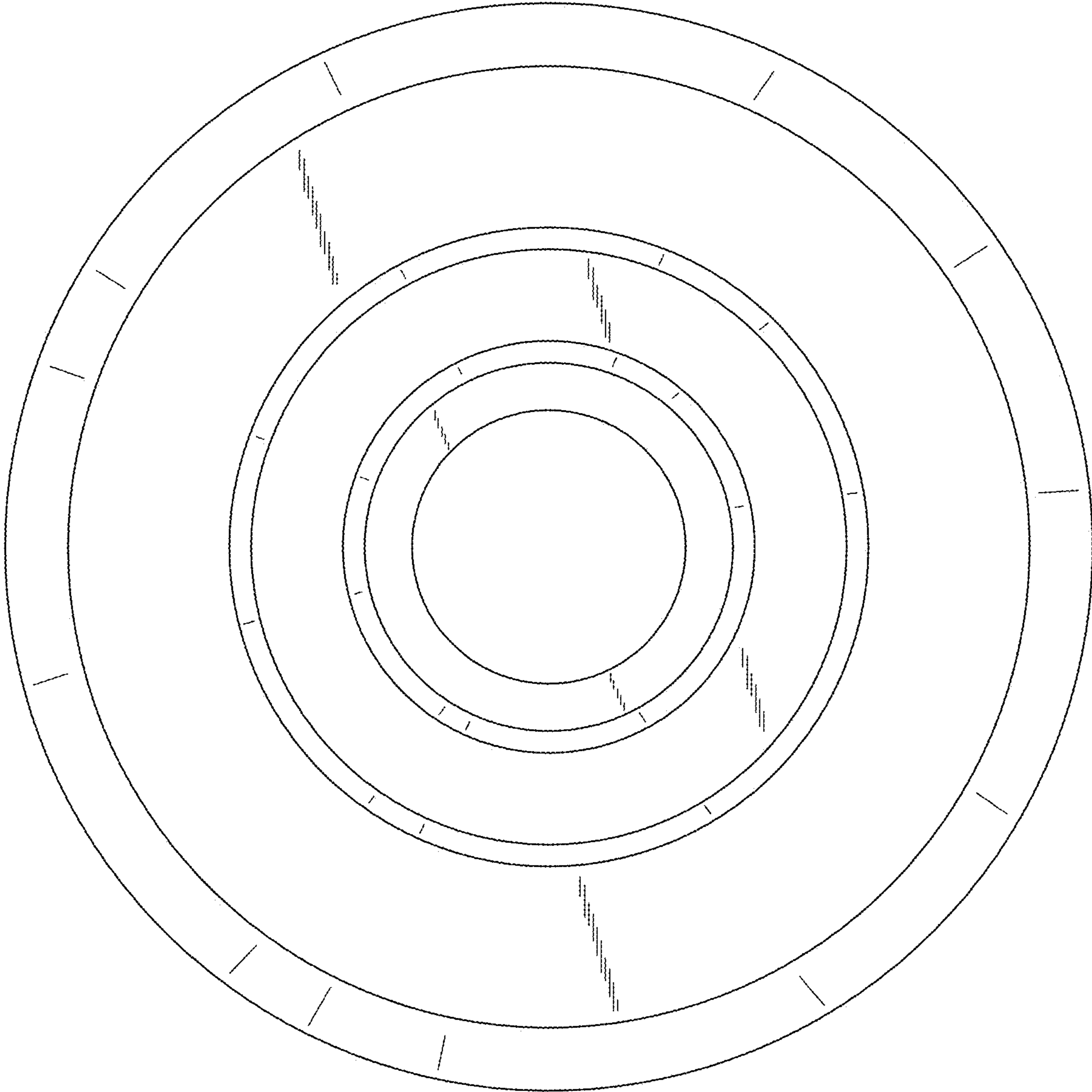


FIG. 3

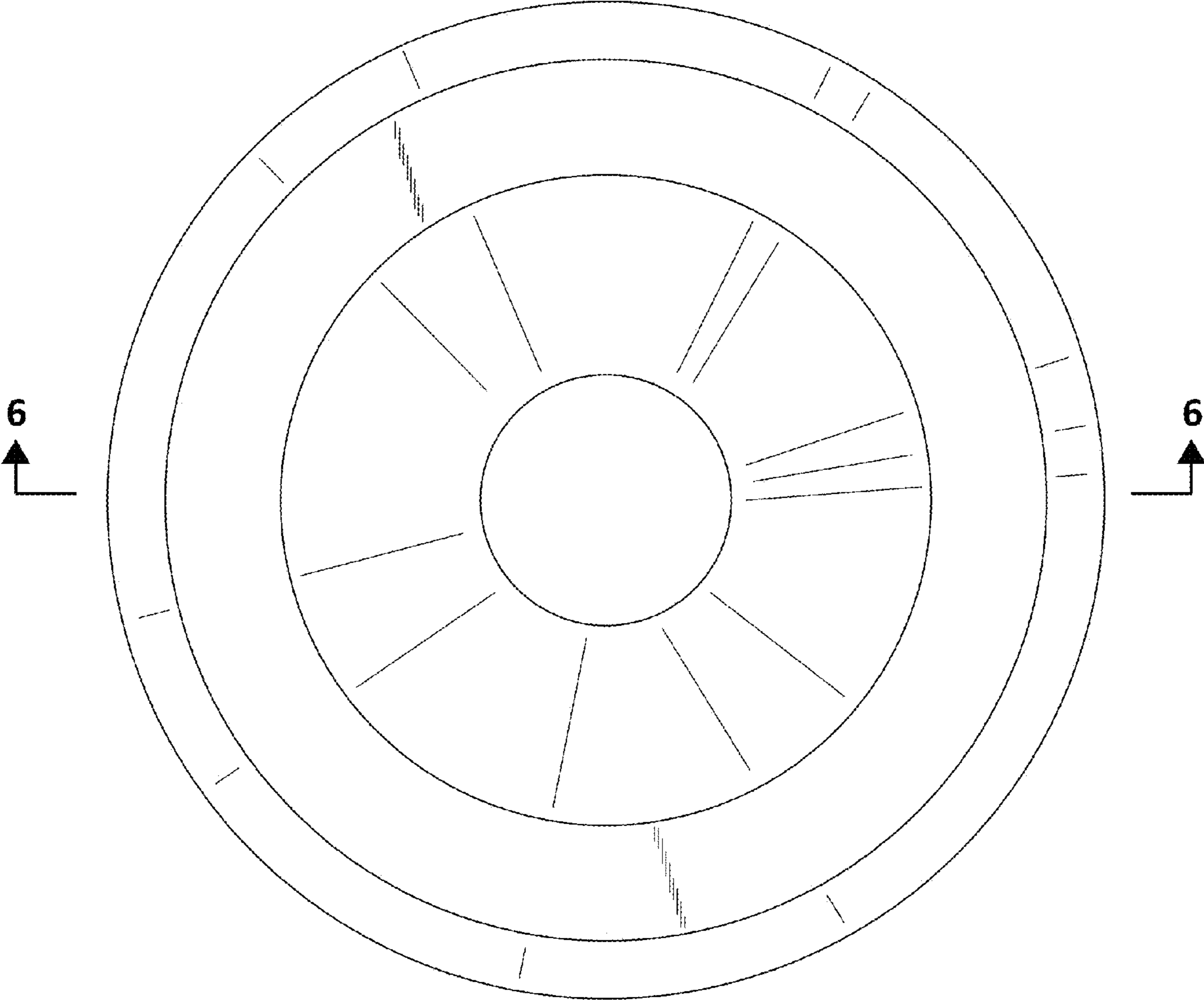


FIG. 4

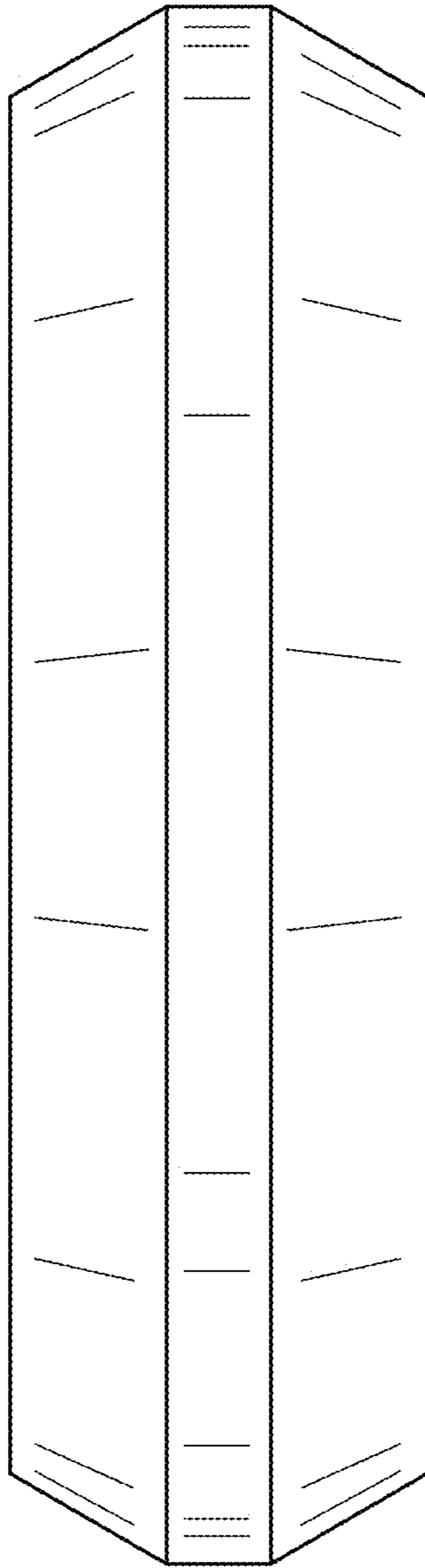


FIG. 5

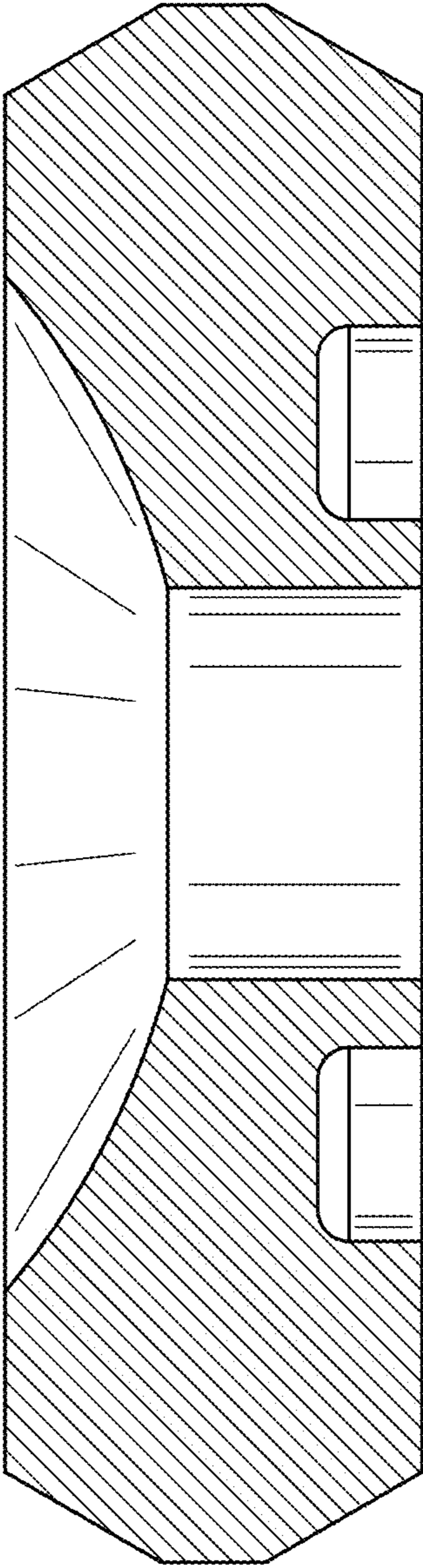


FIG. 6