



US00D886950S

(12) **United States Design Patent**
Uehara et al.

(10) **Patent No.:** **US D886,950 S**

(45) **Date of Patent:** **** Jun. 9, 2020**

(54) **MOTOR VALVE**

(71) Applicant: **FUJIKOKI CORPORATION**, Tokyo (JP)

(72) Inventors: **Satoshi Uehara**, Tokyo (JP); **Yusuke Arai**, Tokyo (JP); **Takeshi Hosoya**, Tokyo (JP); **Bunta Narukawa**, Tokyo (JP)

(73) Assignee: **FUJIKOKI CORPORATION**, Tokyo (JP)

(**) Term: **15 Years**

(21) Appl. No.: **29/653,681**

(22) Filed: **Jun. 18, 2018**

(30) **Foreign Application Priority Data**

Jan. 5, 2018 (JP) 2018-000028

(51) **LOC (12) Cl.** **23-01**

(52) **U.S. Cl.**
USPC **D23/233**

(58) **Field of Classification Search**
USPC D15/5; D23/233-237, 244-249
CPC F16K 31/046; F16K 37/0033; F16K 31/0675; F16K 27/029; F16K 31/06; F16K 31/082

See application file for complete search history.

(56) **References Cited**

U.S. PATENT DOCUMENTS

D681,782 S * 5/2013 Bohm D23/233
D695,380 S * 12/2013 Tamura D23/233

D698,418 S * 1/2014 Narita D23/233
D698,900 S * 2/2014 Narita D23/233
D826,377 S * 8/2018 Karibe D23/233
D850,583 S * 6/2019 Uehara D23/233
2004/0227119 A1 * 11/2004 Mills F16K 31/0631
251/129.14
2013/0092856 A1 * 4/2013 Schuler F16K 27/0245
251/129.15
2015/0096636 A1 * 4/2015 Dayton F16K 11/0716
137/625.64

* cited by examiner

Primary Examiner — Ania Aman

(74) *Attorney, Agent, or Firm* — Manabu Kanesaka

(57) **CLAIM**

The ornamental design for motor valve, as shown and described.

DESCRIPTION

FIG. 1 is a first perspective view of a motor valve showing our new design;
FIG. 2 is a second perspective view thereof;
FIG. 3 is a front view thereof;
FIG. 4 is a rear view thereof;
FIG. 5 is a top view thereof;
FIG. 6 is a bottom view thereof;
FIG. 7 is a right side view thereof; and,
FIG. 8 is a left side view thereof.
The broken lines depict portions of the motor valve that form no part of claimed design.

1 Claim, 8 Drawing Sheets

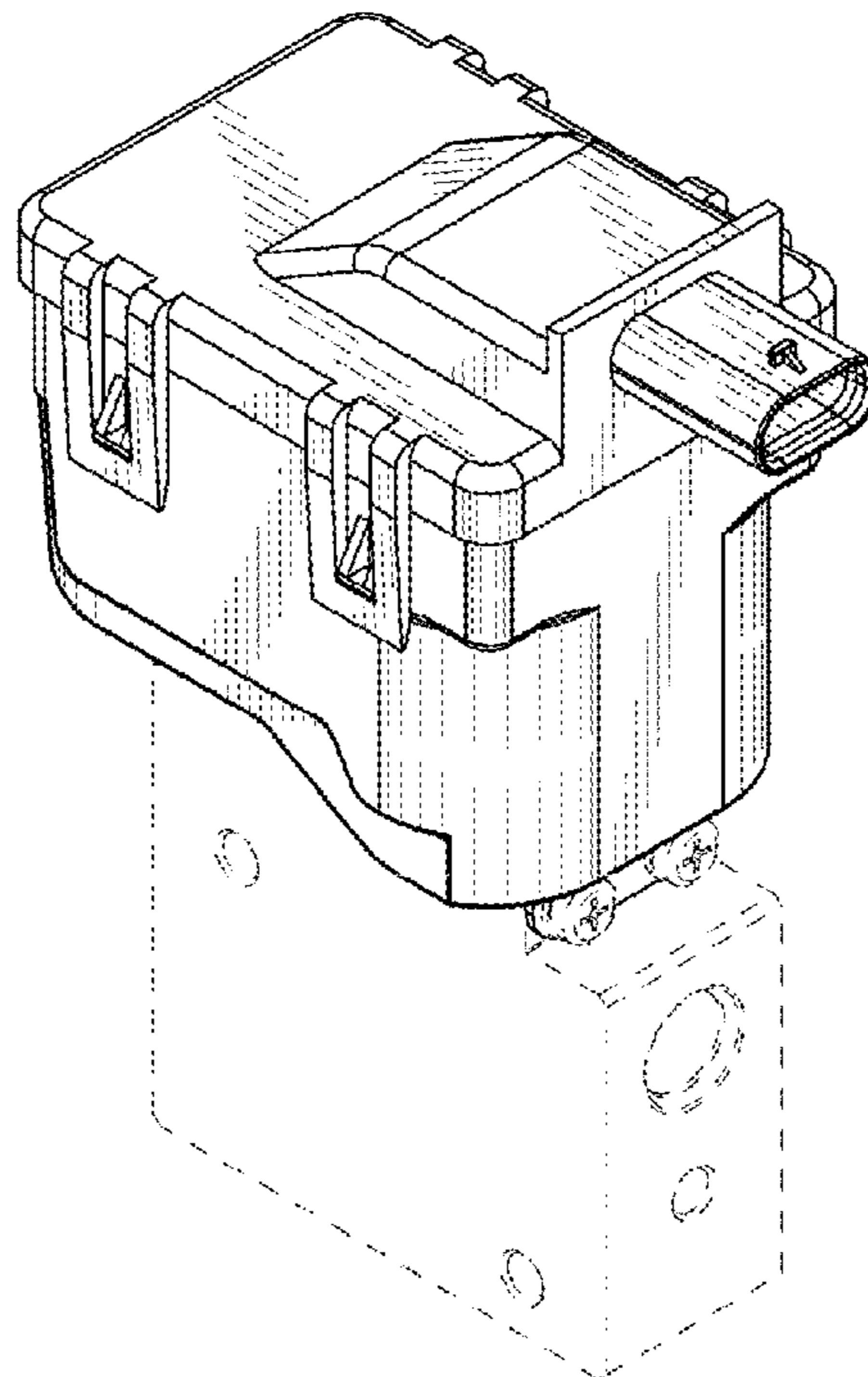


FIG. 1

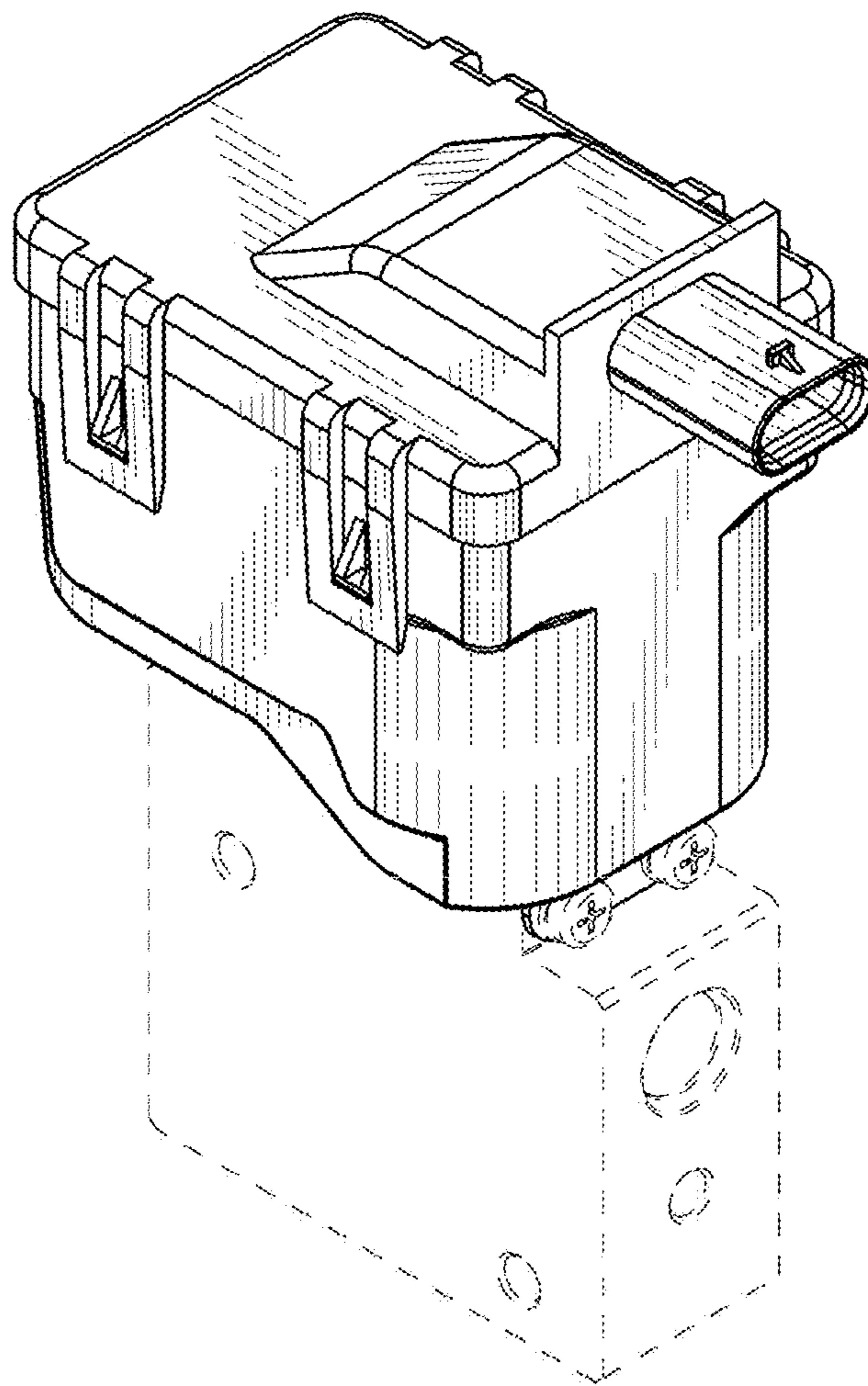


FIG. 2

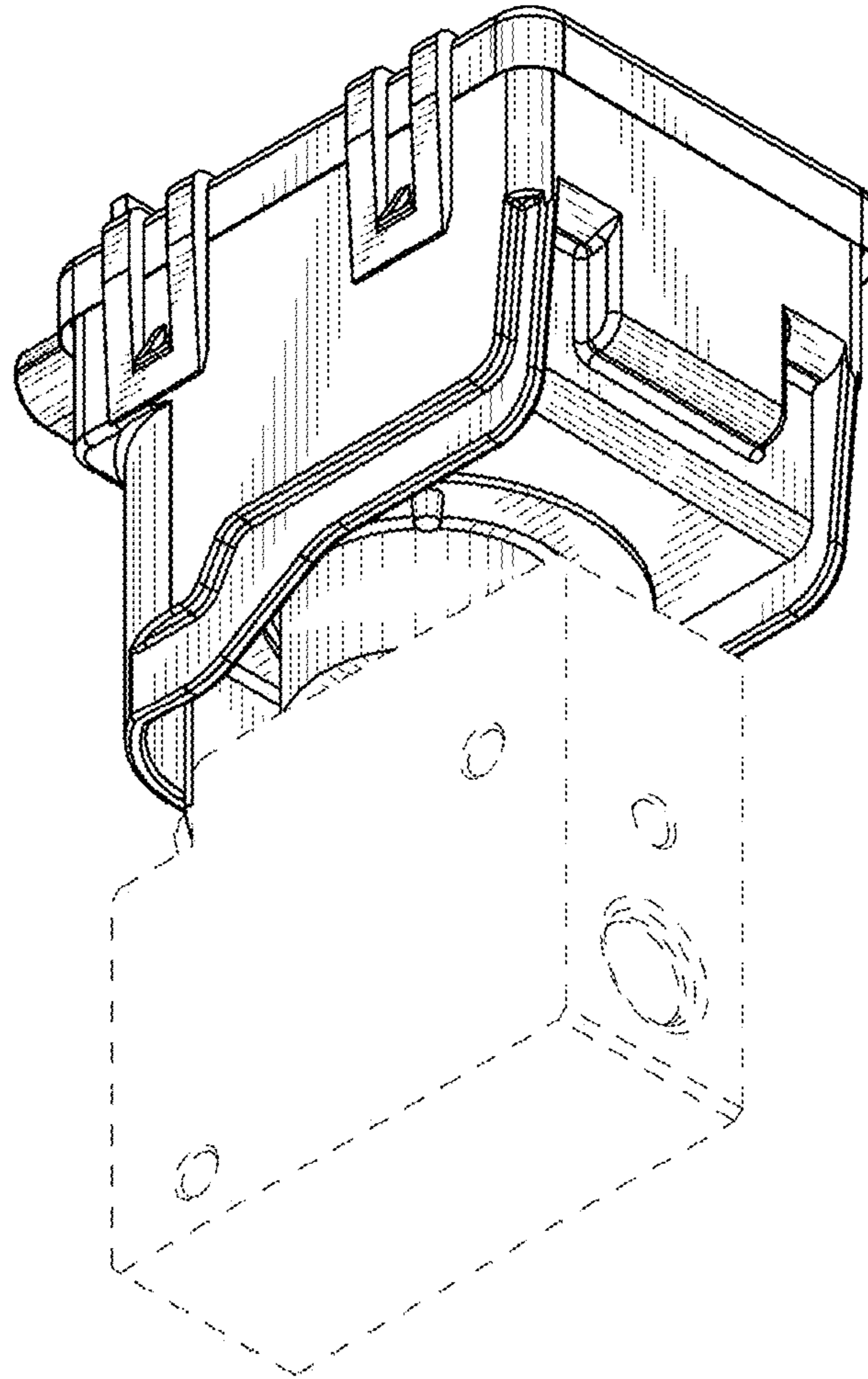


FIG. 3

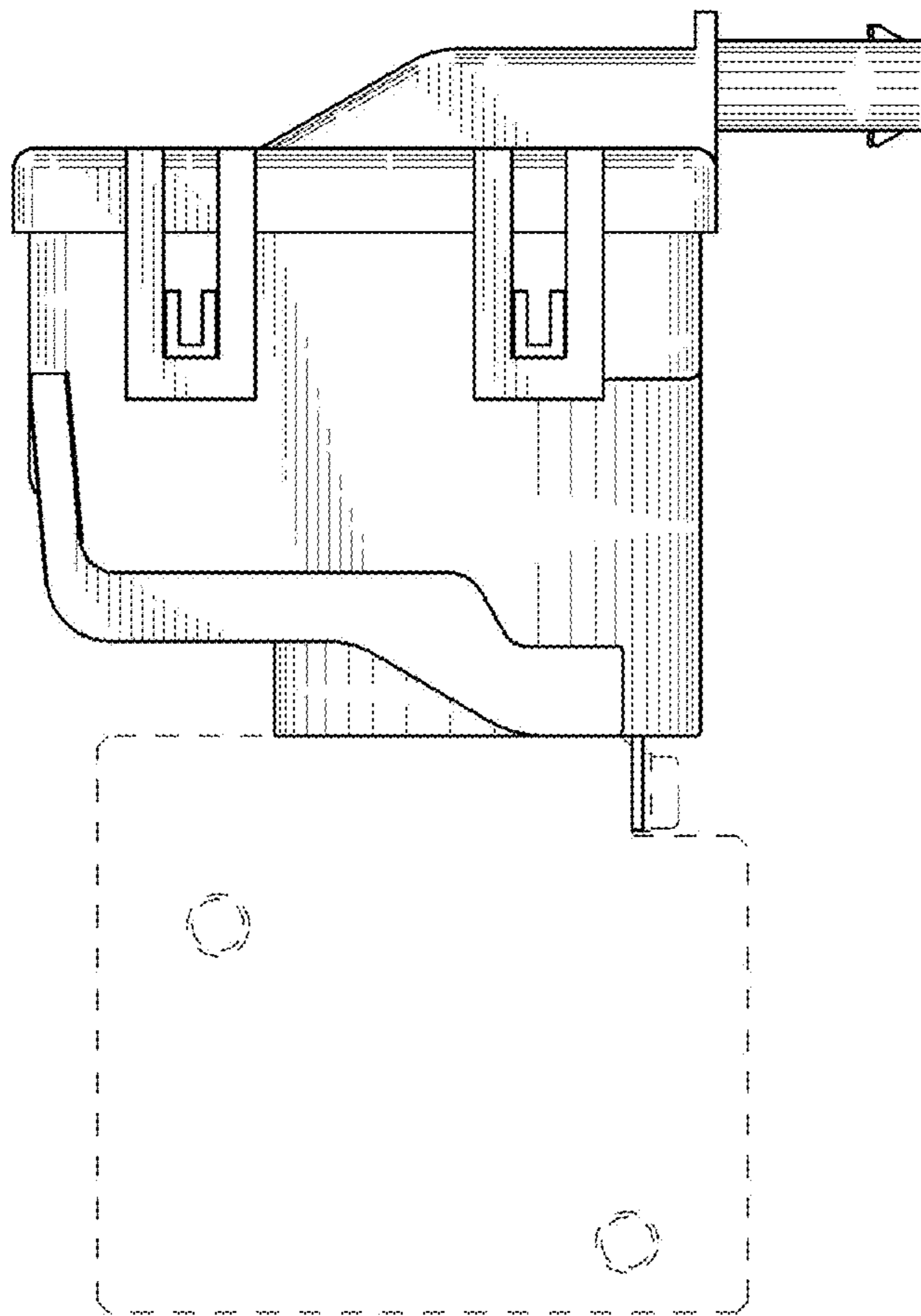


FIG. 4

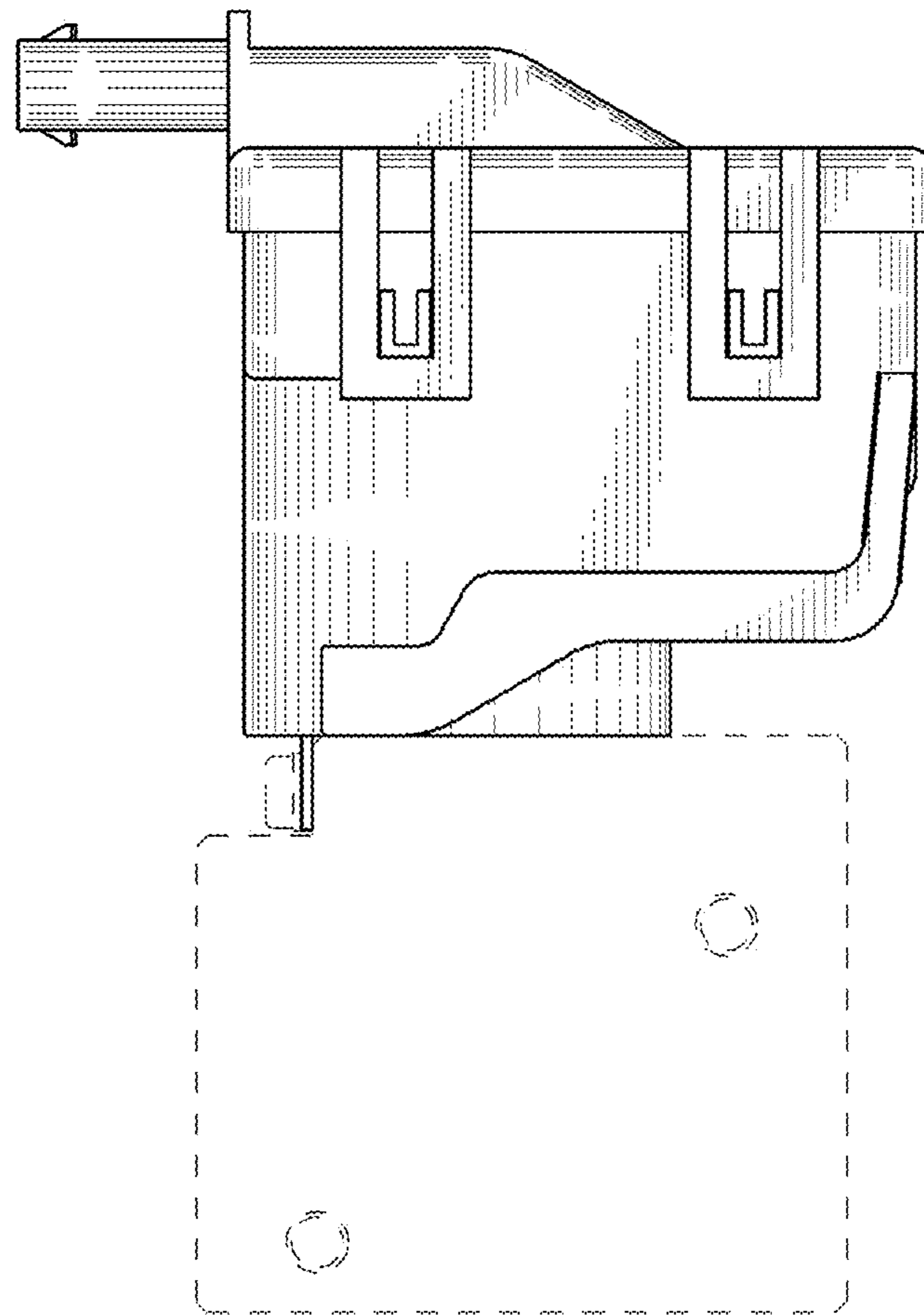


FIG. 5

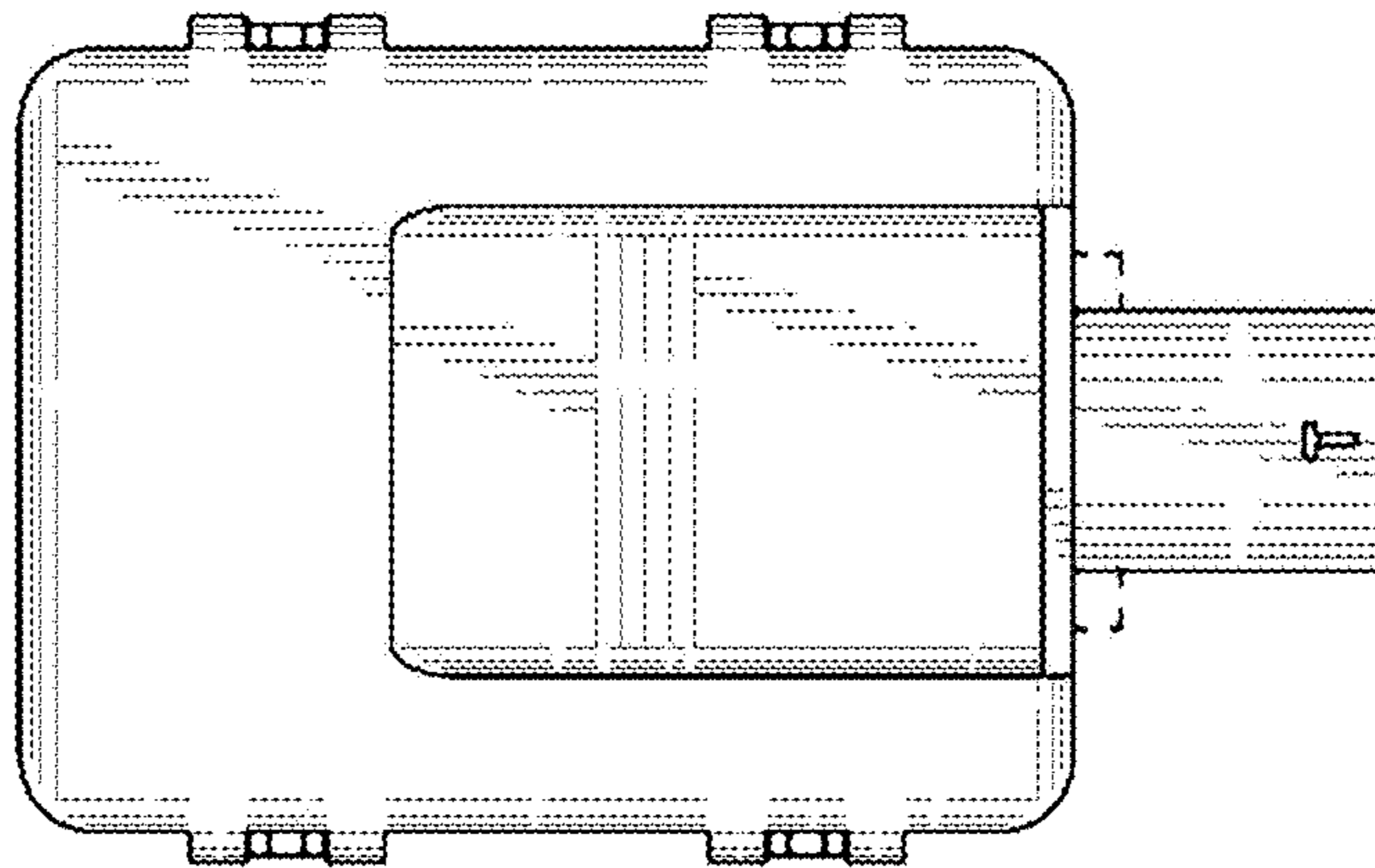


FIG. 6

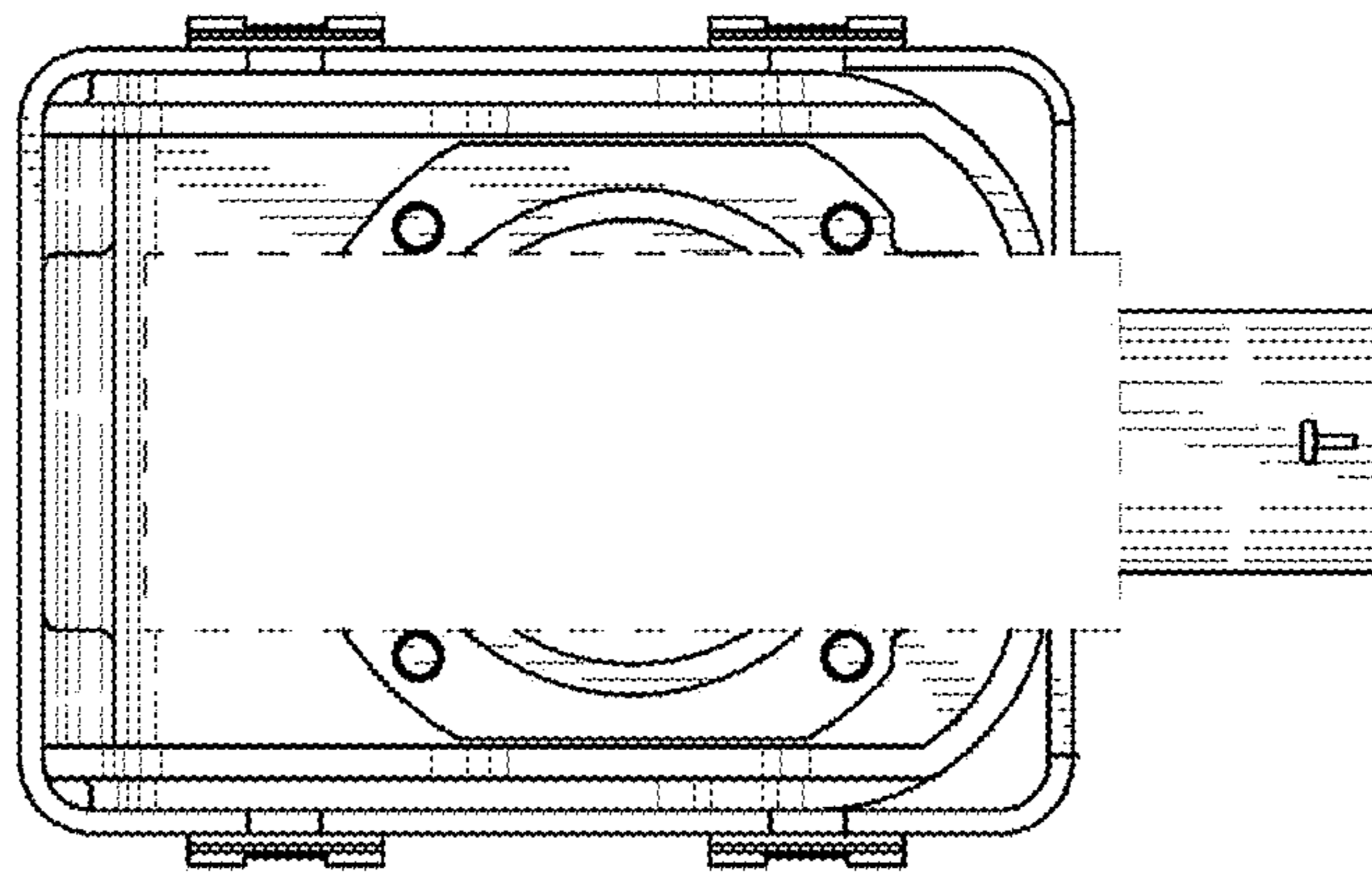


FIG. 7

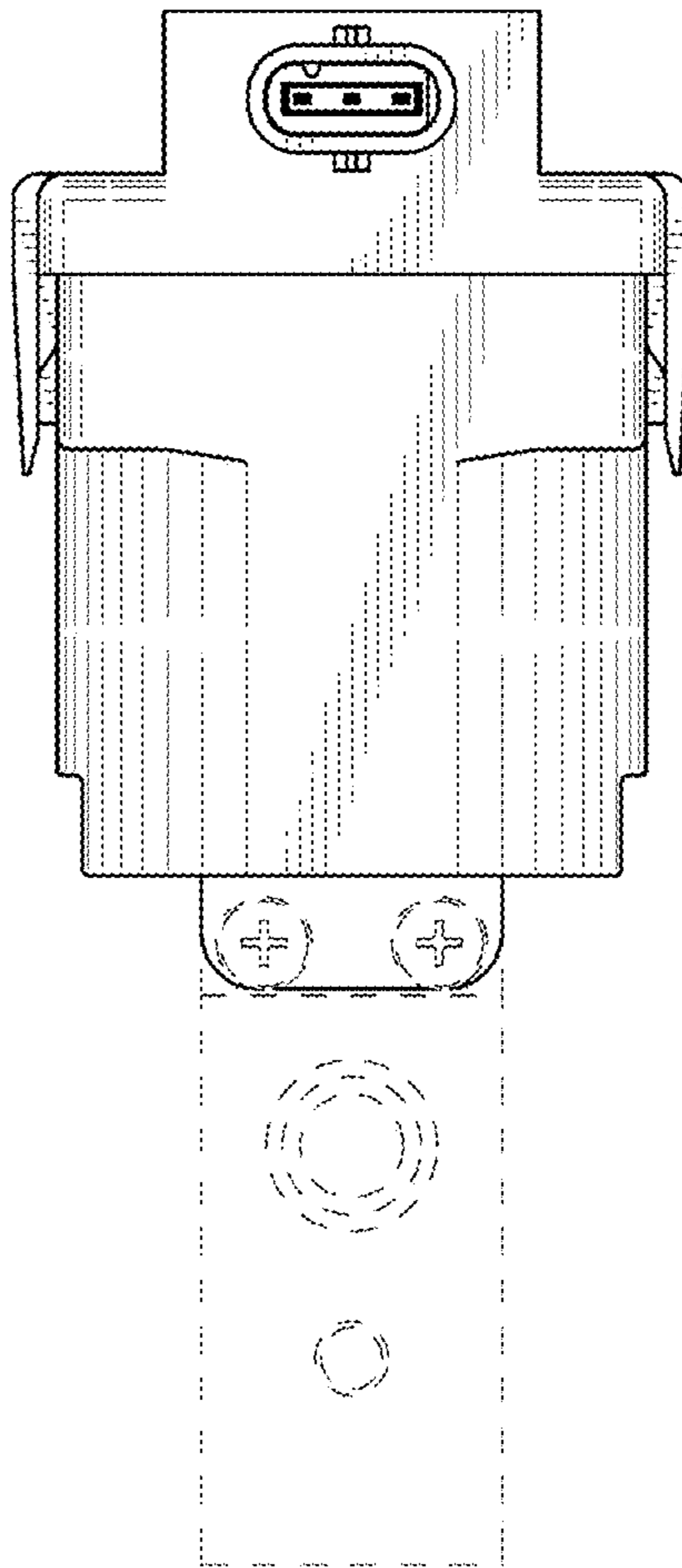


FIG. 8

