



US00D886949S

(12) **United States Design Patent**  
**Marinov et al.**

(10) **Patent No.:** **US D886,949 S**

(45) **Date of Patent:** **\*\* Jun. 9, 2020**

- (54) **FLUSH VALVE**
- (71) Applicant: **AS AMERICA, INC.**, Piscataway, NJ (US)
- (72) Inventors: **Marin Marinov**, East Brunswick, NJ (US); **Emilie Williams**, South Plainfield, NJ (US)
- (73) Assignee: **AS AMERICA, INC.**, Piscataway, NJ (US)
- (\*\*) Term: **15 Years**
- (21) Appl. No.: **29/629,331**
- (22) Filed: **Dec. 12, 2017**
- (51) **LOC (12) Cl.** ..... **23-01**
- (52) **U.S. Cl.**  
USPC ..... **D23/233**
- (58) **Field of Classification Search**  
USPC ..... D23/233-249, 259; 137/15.04; 251/40, 251/38, 129.04, 243, 28, 29, 356  
CPC ..... F16K 31/3855; F16K 1/12; F16K 31/12; F16K 31/126; E03D 1/34; E03D 3/06; E03D 3/00  
See application file for complete search history.

D357,976 S *	5/1995	Allen .....	D23/249
D367,104 S *	2/1996	Allen .....	D23/245
D470,222 S	2/2003	Nortier	
D520,111 S	5/2006	Chen	
D569,947 S *	5/2008	Johnson .....	D23/233
D598,974 S *	8/2009	Parsons .....	D23/233
D599,437 S *	9/2009	Parsons .....	D23/233
D750,744 S *	3/2016	Liljeqvist .....	D23/233
D800,875 S *	10/2017	Sykes .....	D23/249
D844,750 S *	4/2019	Wilson .....	D23/233

\* cited by examiner

*Primary Examiner* — Gino Colan

(74) *Attorney, Agent, or Firm* — Venable LLP; Michele V. Frank

(57) **CLAIM**

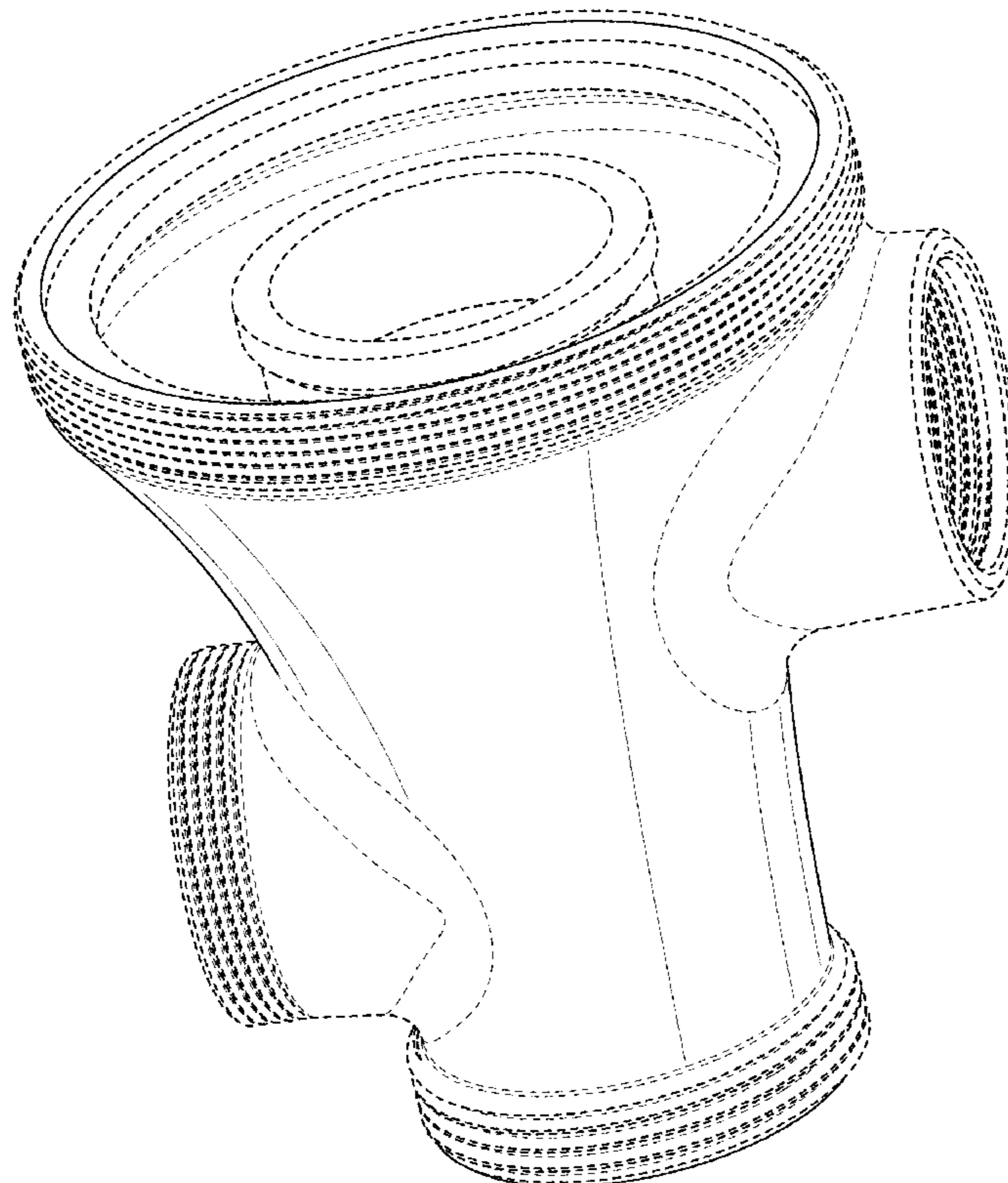
The ornamental design for a flush valve, as shown and described.

**DESCRIPTION**

FIG. 1 is a perspective view of a flush valve showing our new design;  
 FIG. 2 is a front elevation view thereof;  
 FIG. 3 is a rear elevation view thereof;  
 FIG. 4 is a left side elevation view thereof;  
 FIG. 5 is a right side elevation view thereof;  
 FIG. 6 is a top plan view thereof; and,  
 FIG. 7 is a bottom plan view thereof.  
 The broken lines shown in in the figures are included for the purpose of illustrating portions of the flush valve and form no part of the claimed design.

**1 Claim, 7 Drawing Sheets**

- (56) **References Cited**  
U.S. PATENT DOCUMENTS  
D218,035 S \* 7/1970 Sloan ..... D23/245  
D355,478 S \* 2/1995 Allen ..... D23/249



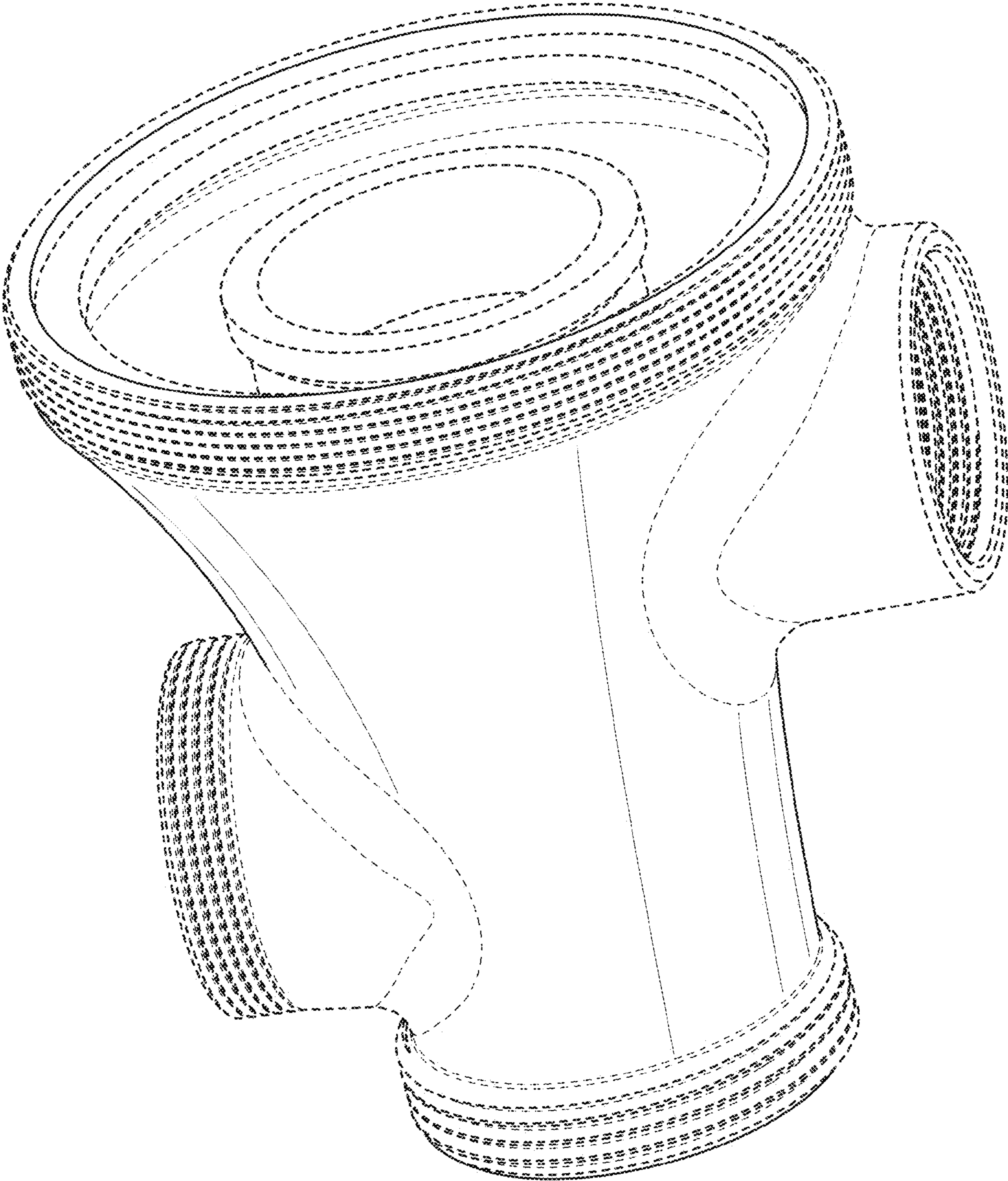


FIG. 1

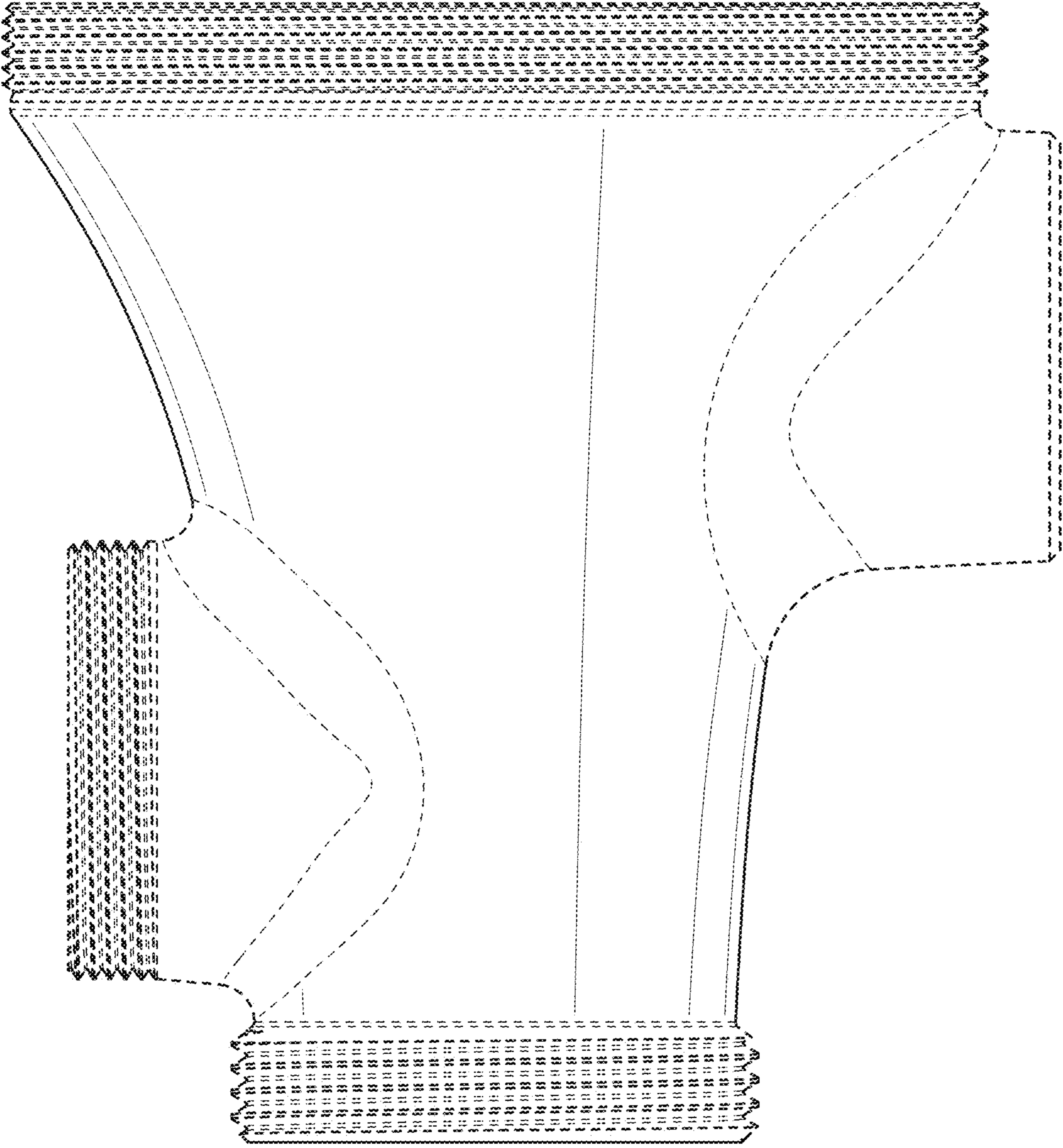


FIG. 2



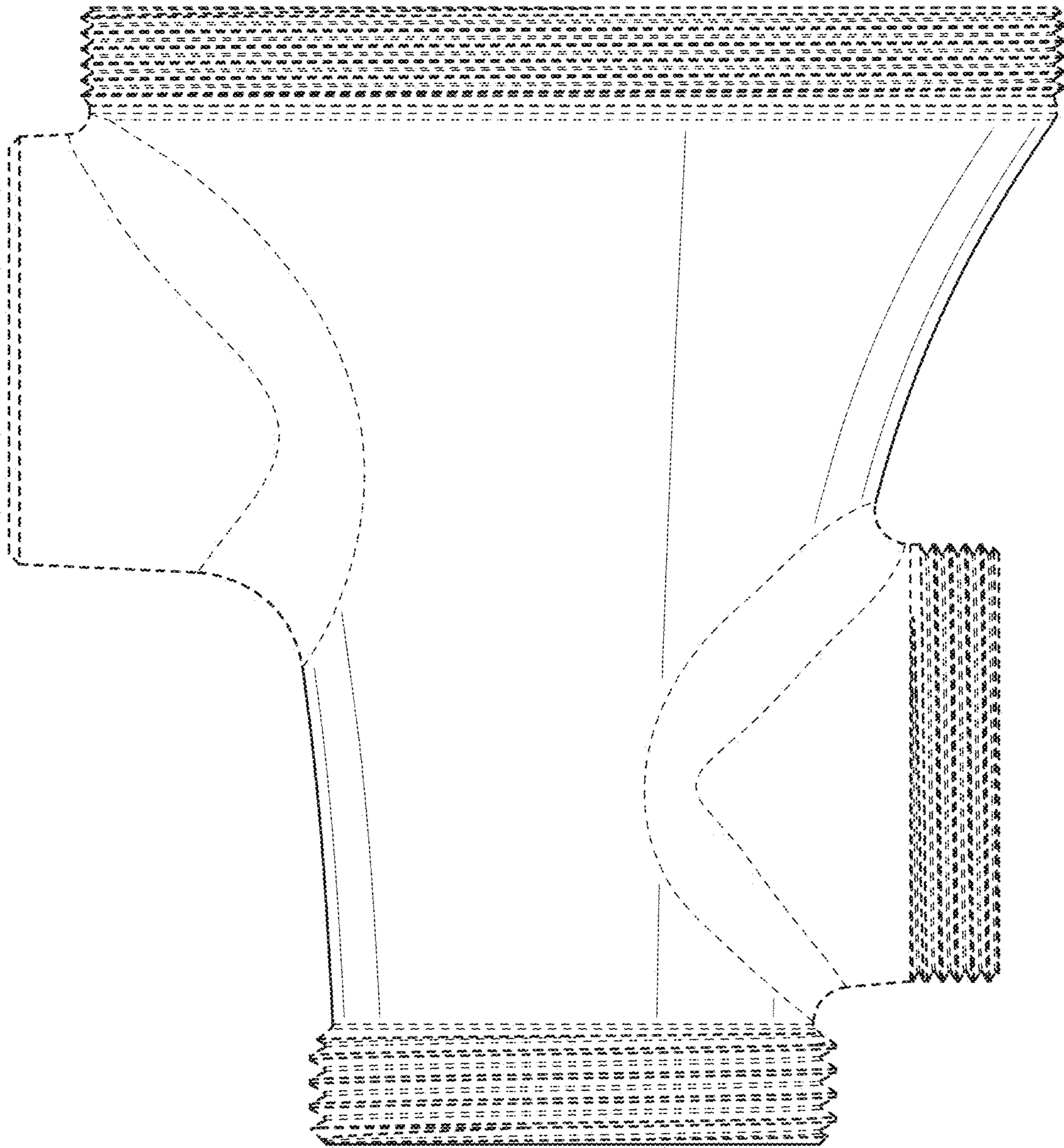


FIG. 3

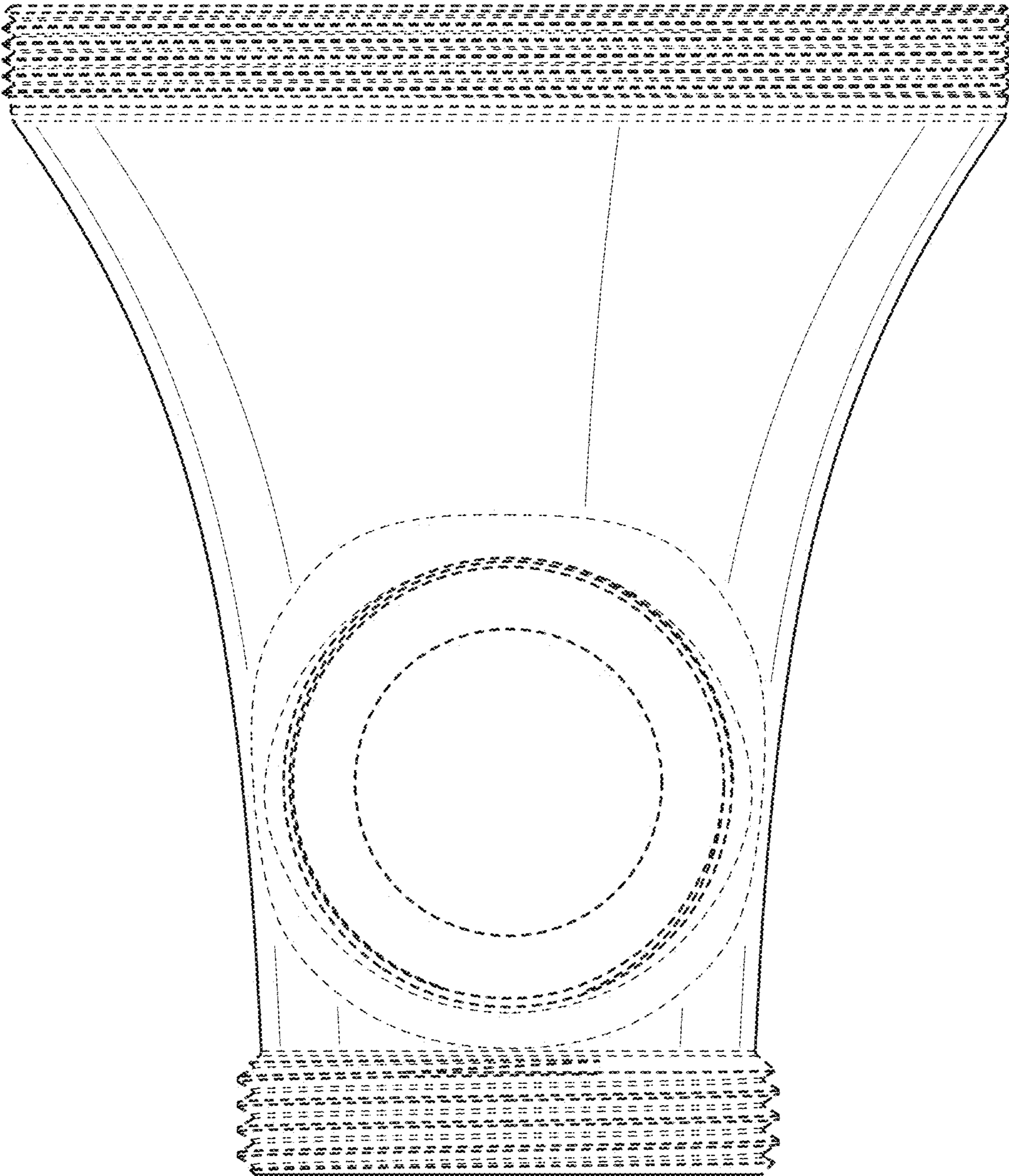


FIG. 4

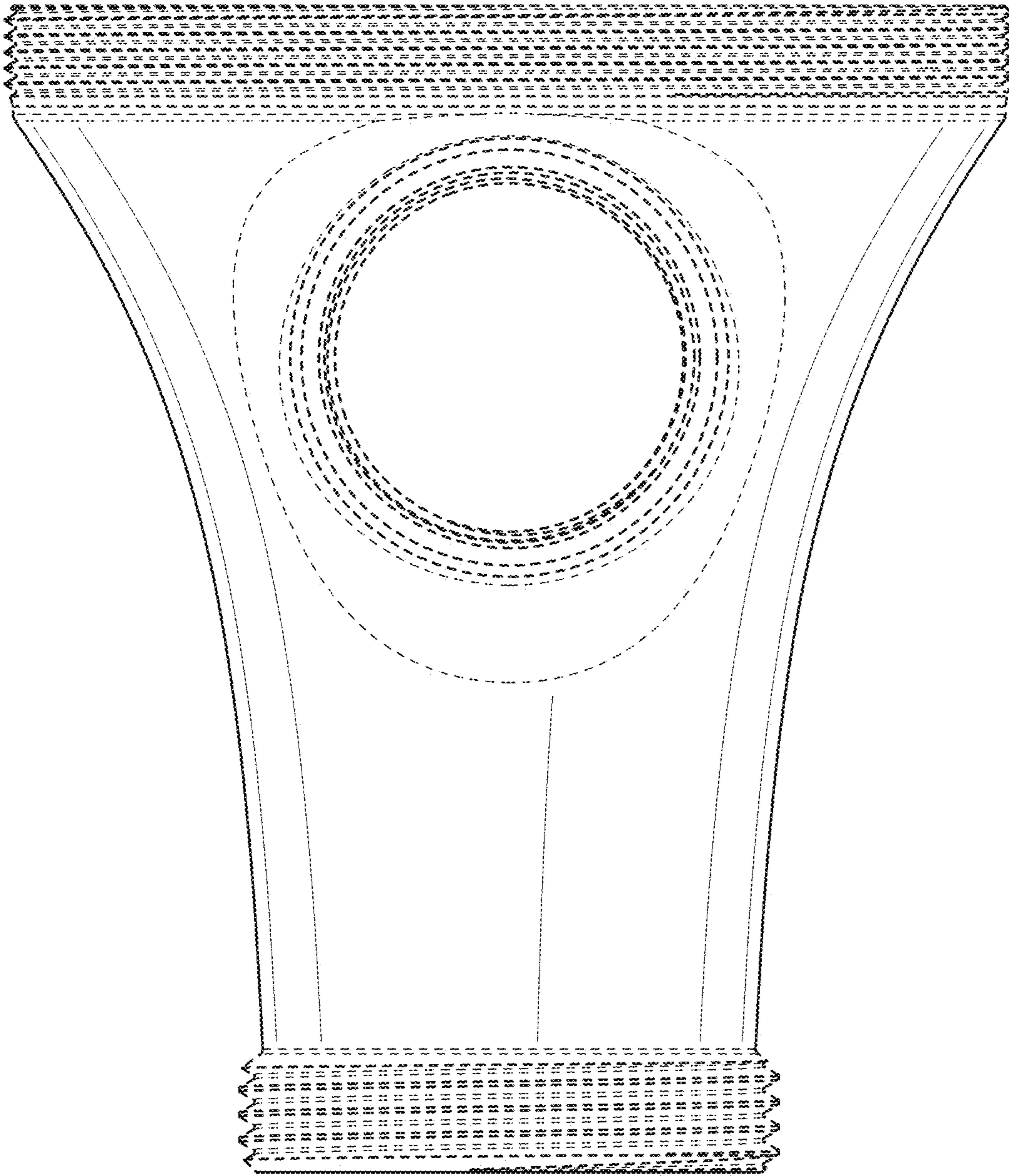


FIG. 5

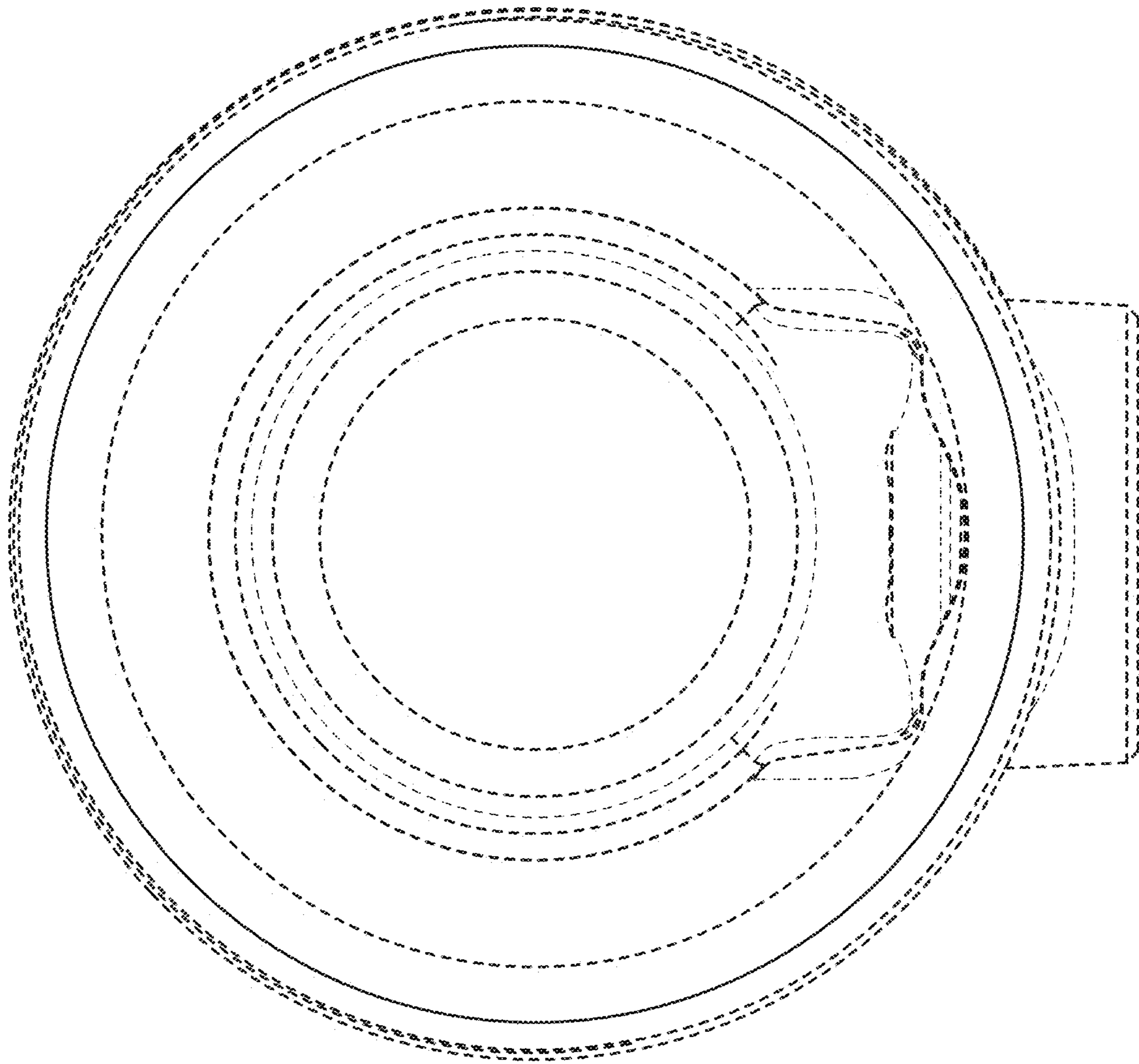


FIG. 6



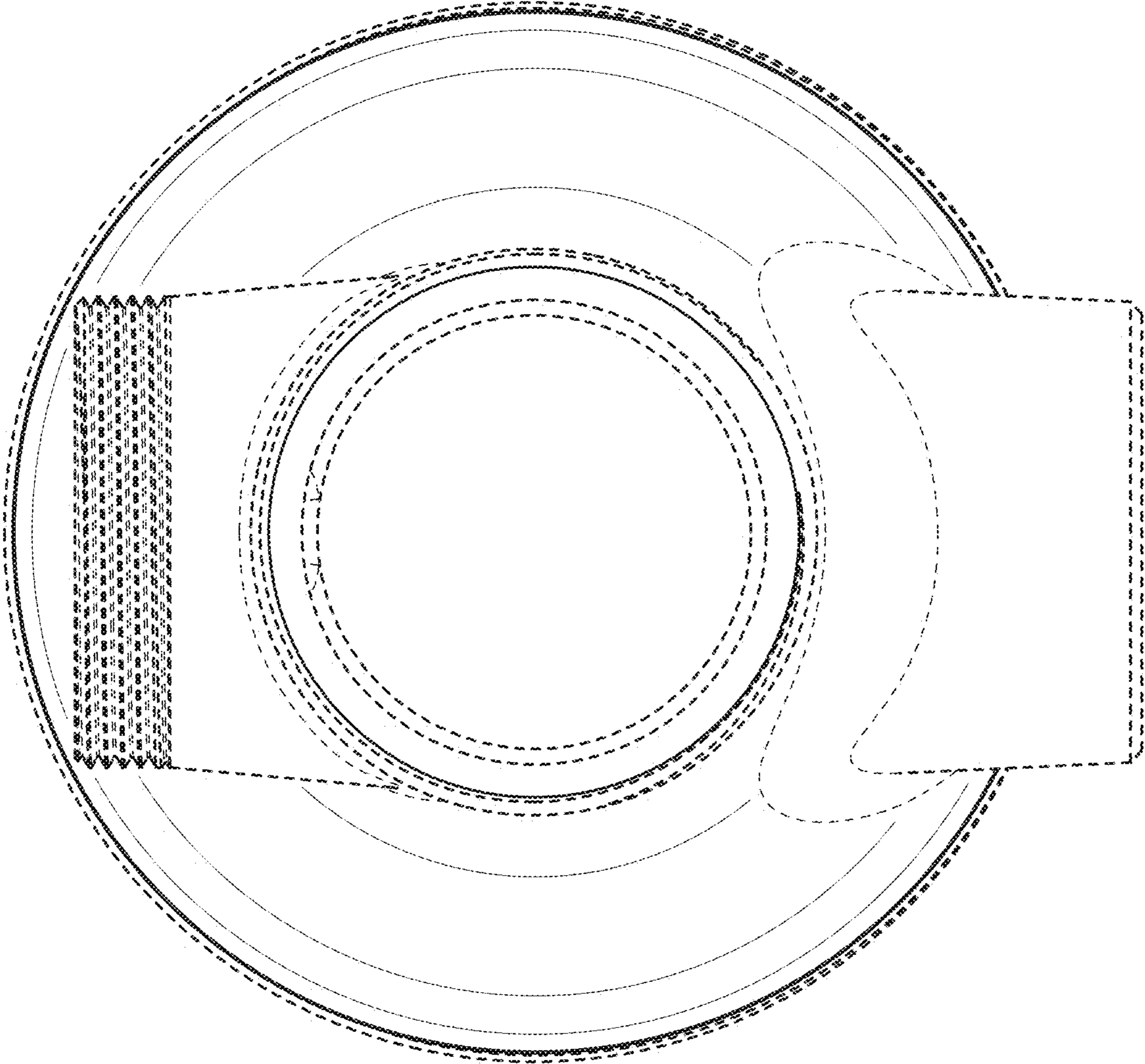


FIG. 7