



US00D886948S

(12) **United States Design Patent** (10) **Patent No.:** **US D886,948 S**
Mo (45) **Date of Patent:** **** Jun. 9, 2020**

(54) **HANDHELD SHOWER**
(71) Applicant: **Runjian Mo**, Guangdong (CN)
(72) Inventor: **Runjian Mo**, Guangdong (CN)
(**) Term: **15 Years**
(21) Appl. No.: **29/683,925**
(22) Filed: **Mar. 17, 2019**
(51) **LOC (12) Cl.** **23-01**
(52) **U.S. Cl.**
USPC **D23/223; D23/213**
(58) **Field of Classification Search**
USPC D23/213, 214, 215, 223, 224, 226, 229,
D23/230
CPC A61H 9/0021; A61H 33/00; B05B 1/00;
B05B 1/14; B05B 1/185; B05B 1/08;
B05B 1/02; B05B 1/26; B05B 12/002;
B05B 1/18; B05B 9/01
See application file for complete search history.

D701,586 S * 3/2014 Andrew D23/213
D701,587 S * 3/2014 Andrew D23/213
D701,940 S * 4/2014 Andrew D23/213
D701,941 S * 4/2014 Andrew D23/213
D744,065 S * 11/2015 Peterson D23/223
D744,611 S * 12/2015 Quinn D23/223
D755,346 S * 5/2016 Yan D23/223
9,404,243 B2 * 8/2016 Cacka B05B 1/1654
D779,039 S * 2/2017 Hanna D23/223
D791,913 S * 7/2017 Andrew D23/213
9,764,339 B2 * 9/2017 Yu B05B 1/18
D803,981 S * 11/2017 Thurgood D23/223
D810,861 S * 2/2018 Weaver D23/213

(Continued)

OTHER PUBLICATIONS

https://www.amazon.com/Speakman-VS-3000-Handheld-Shower-Polished/dp/B079V4ZJQ9/ref=sr_1_2?keywords=Cylindrical%2BShape%2BShower%2BHead&qid=1579199208&s=home-garden&sr=1-2&th=1 (Year: 2018).*

Primary Examiner — Manpreet S Matharu
Assistant Examiner — Keith J Wilson

(56) **References Cited**

U.S. PATENT DOCUMENTS

6,537,455 B2 * 3/2003 Farley C02F 1/003
210/251
D503,463 S * 3/2005 Hughes D23/213
D559,945 S * 1/2008 Patterson D23/213
D564,621 S * 3/2008 Lammel D23/223
D578,181 S * 10/2008 Pan D23/213
D578,604 S * 10/2008 Wu D23/223
D581,014 S * 11/2008 Quinn D23/223
D610,651 S * 2/2010 Wu D23/223
7,866,576 B1 * 1/2011 Farley E03C 1/0409
239/553
D634,810 S * 3/2011 Yoo D23/213
D659,796 S * 5/2012 Farley D23/223
D659,797 S * 5/2012 Farley D23/223
D666,010 S * 8/2012 Farley D6/309
D680,619 S * 4/2013 Zhadanov D23/223
D681,776 S * 5/2013 Cutler D23/223
D701,288 S * 3/2014 Andrew D23/213
D701,289 S * 3/2014 Andrew D23/213

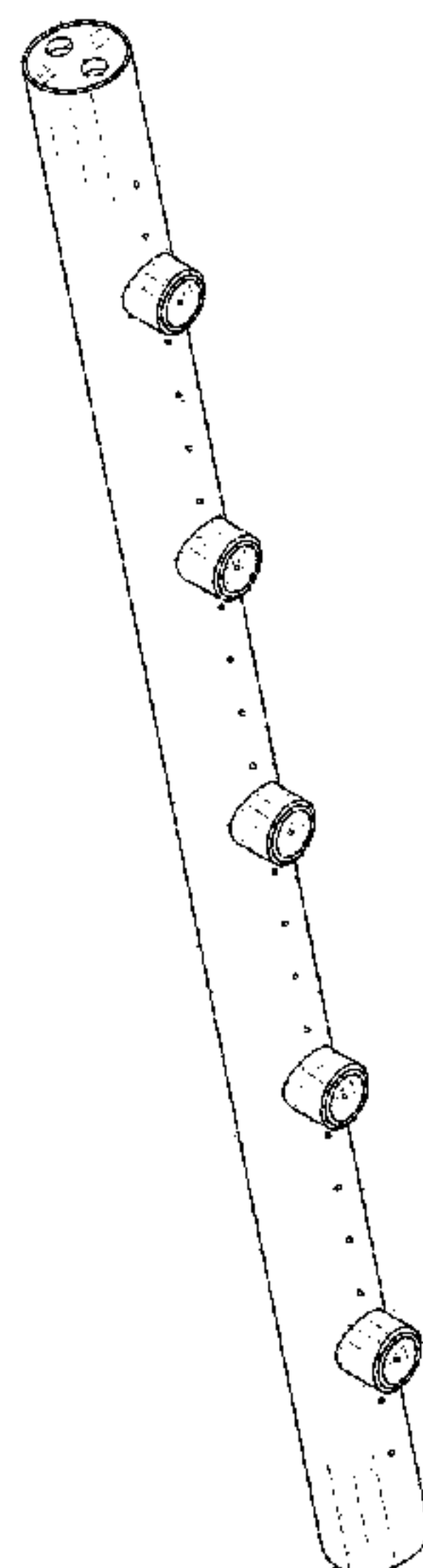
(57) **CLAIM**

The ornamental design for a handheld shower, as shown and described.

DESCRIPTION

FIG. 1 is a front and top perspective view of a handheld shower showing my new design;
FIG. 2 is a front elevation view thereof;
FIG. 3 is a rear elevation view thereof;
FIG. 4 is a left side elevation view thereof;
FIG. 5 is a right side elevation view thereof;
FIG. 6 is top plan view thereof, shown enlarged in scale;
FIG. 7 is a bottom plan view thereof, shown enlarged in scale; and,
FIG. 8 is is an enlarged view of the handheld shower taken from the circled portion in FIG. 2.

1 Claim, 8 Drawing Sheets



(56)

References Cited

U.S. PATENT DOCUMENTS

D820,949 S * 6/2018 Reinecker D23/213
D832,975 S * 11/2018 Garuti D23/213
D842,967 S * 3/2019 Farley D23/213
D843,549 S * 3/2019 Thurgood D23/223
10,234,054 B1 * 3/2019 Yang F16K 31/52408
D857,842 S * 8/2019 Yu D23/213
10,449,558 B2 * 10/2019 Thurgood B05B 1/205
2012/0031511 A1 * 2/2012 Farley E03C 1/0408
137/544
2019/0091715 A1 * 3/2019 Mercado B05B 1/185

* cited by examiner

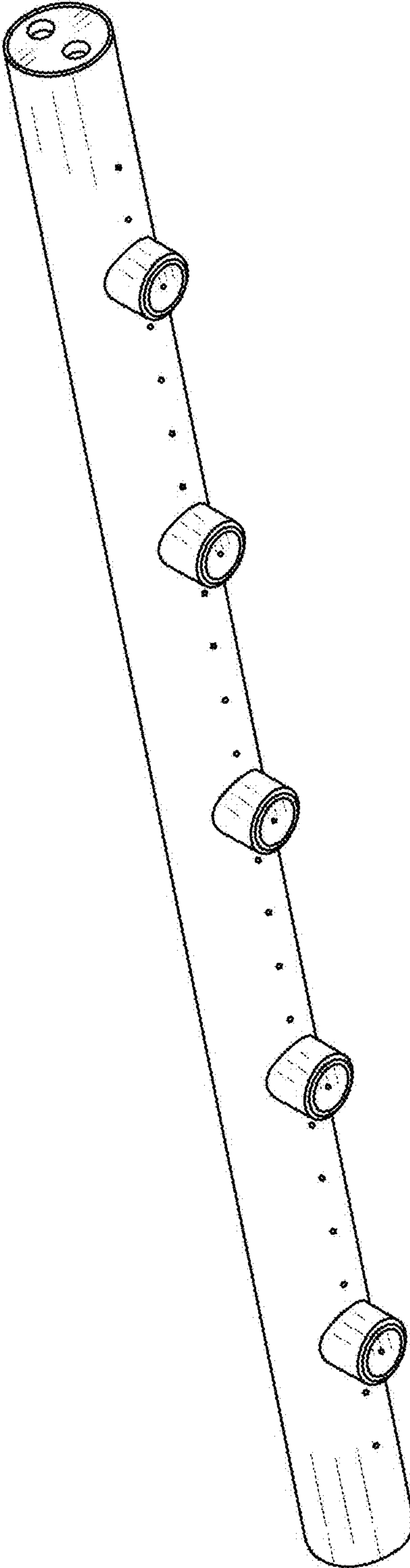


FIG.1

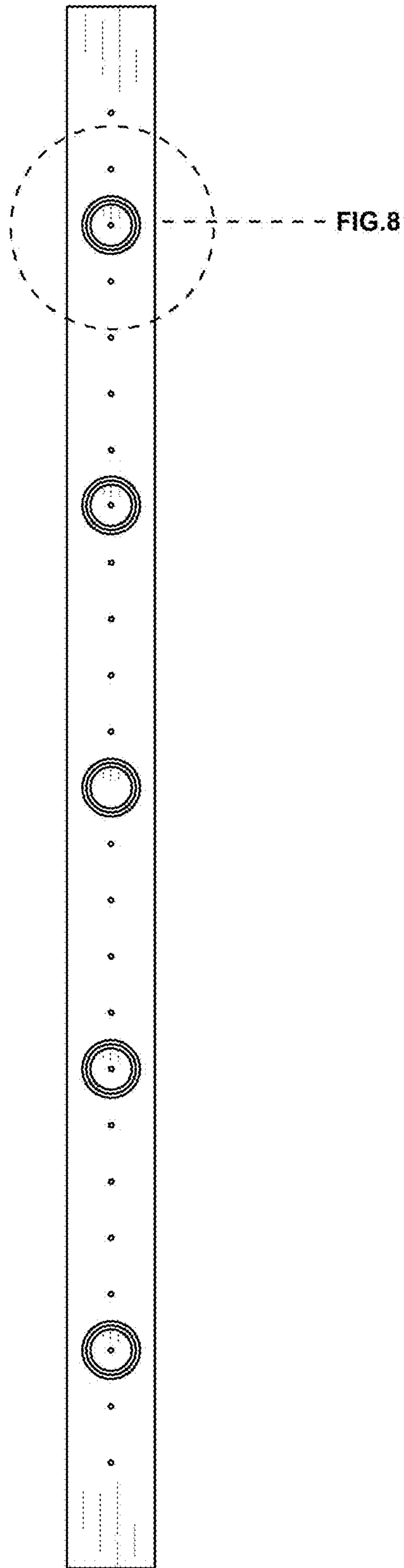


FIG. 2



FIG.3

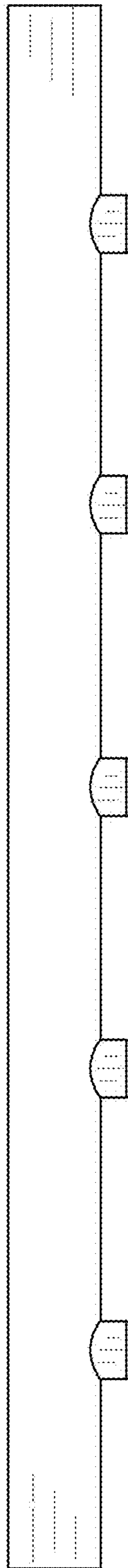


FIG.4

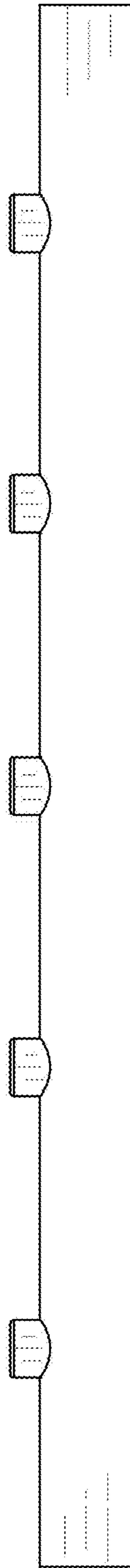


FIG.5

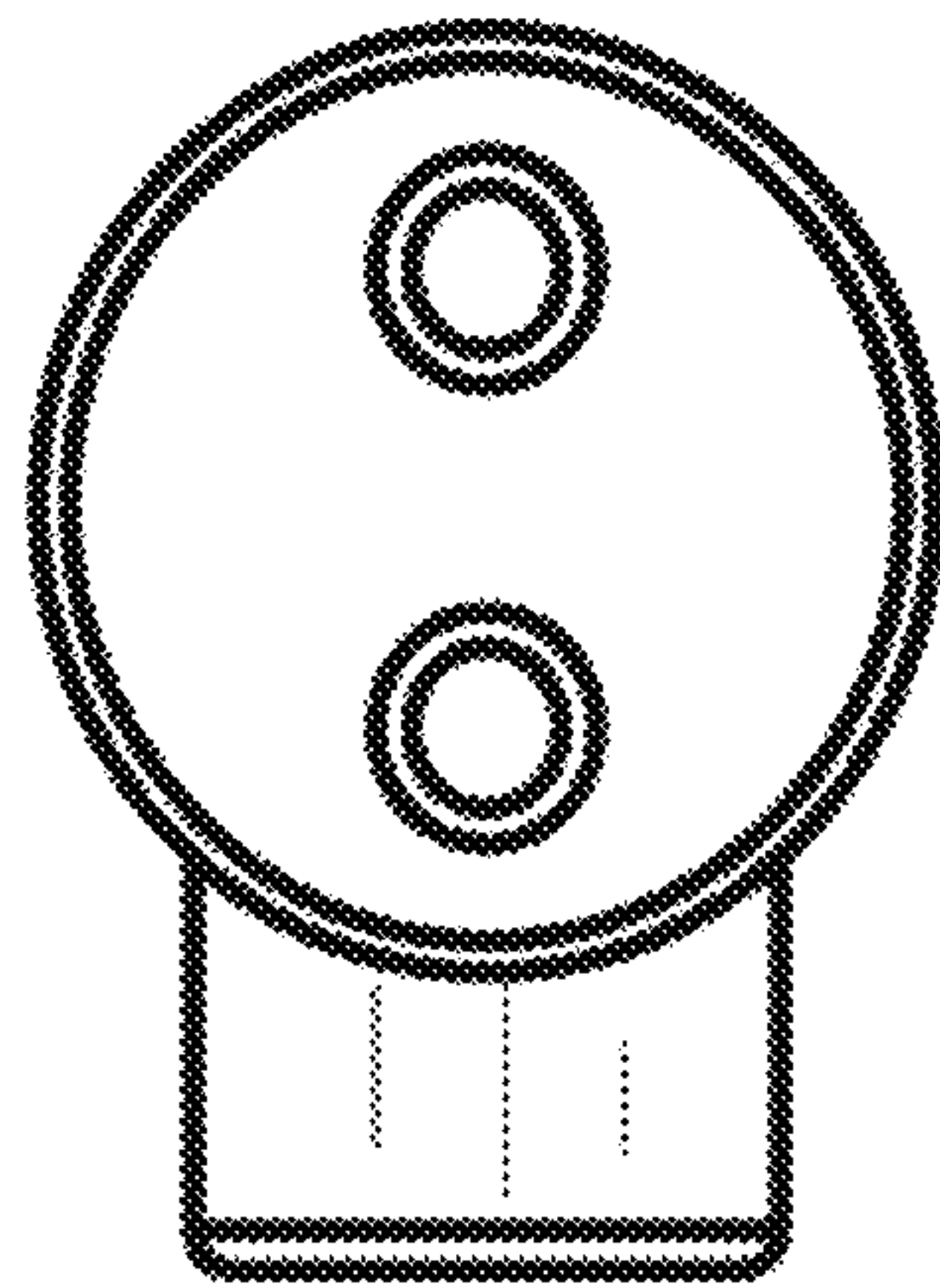


FIG.6

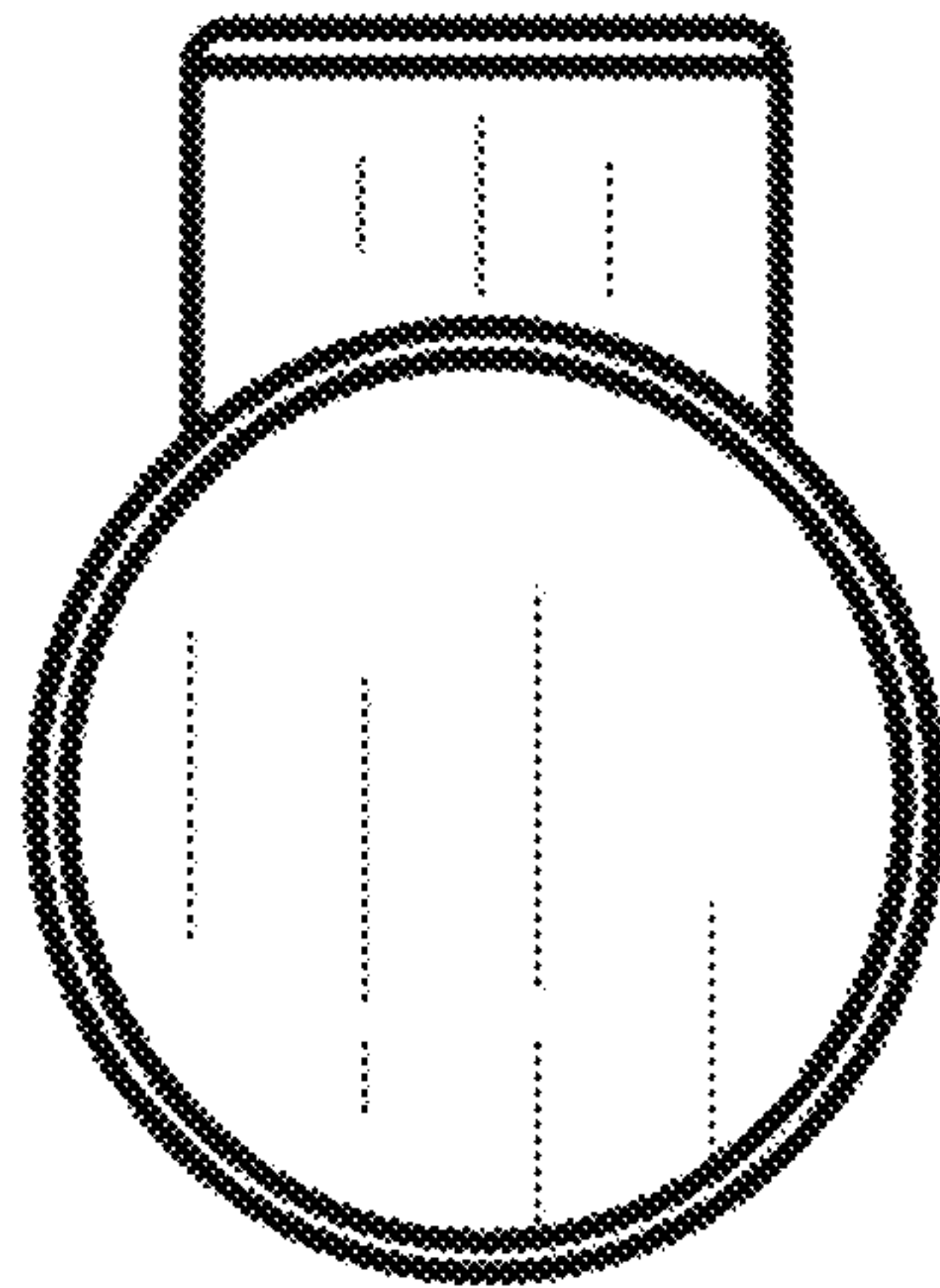


FIG.7

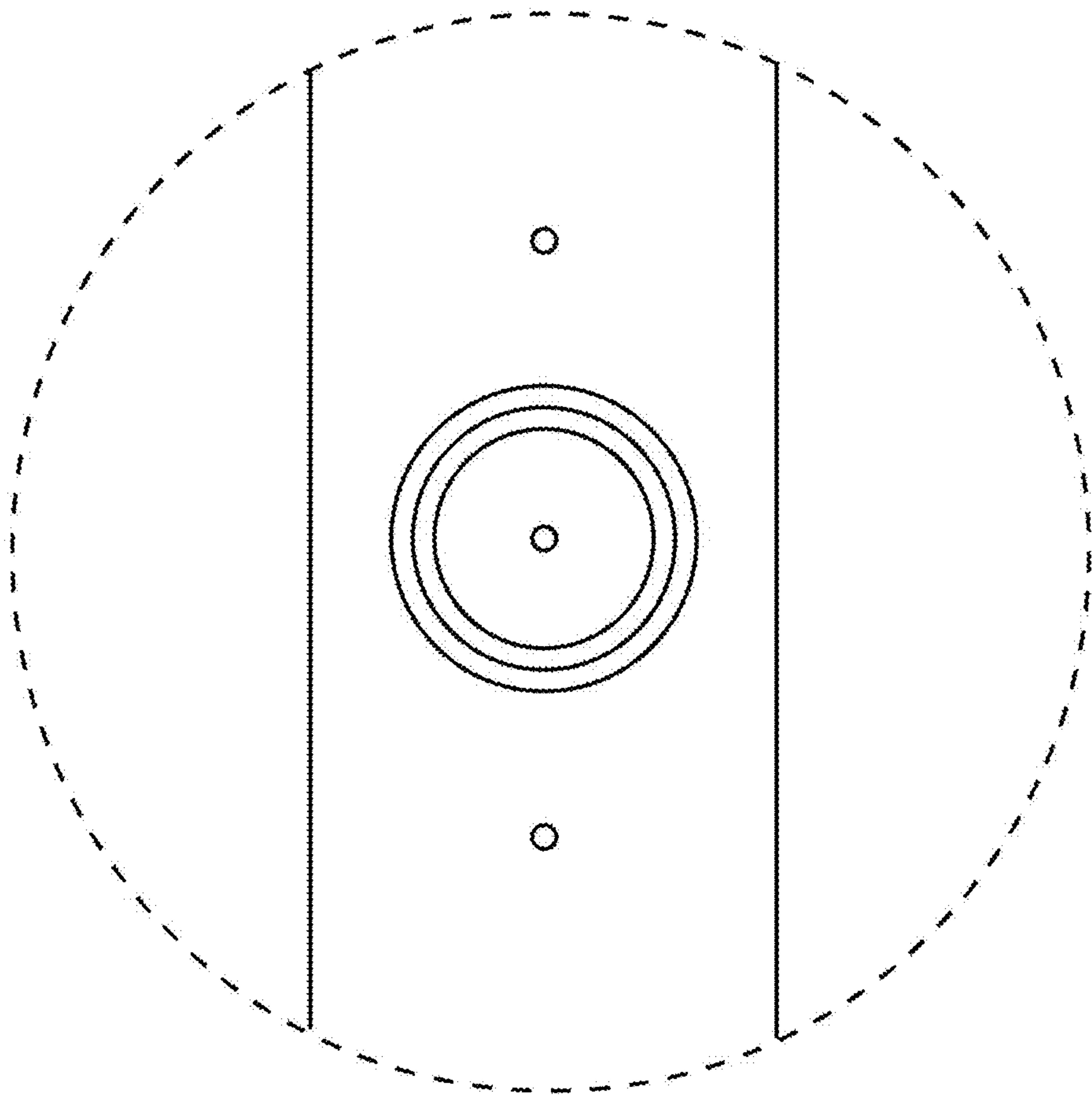


FIG. 8