



US00D886947S

(12) **United States Design Patent** (10) **Patent No.:** **US D886,947 S**  
**Mo** (45) **Date of Patent:** **\*\* Jun. 9, 2020**

(54) **HANDHELD SHOWER**  
(71) Applicant: **Runjian Mo**, Guangdong (CN)  
(72) Inventor: **Runjian Mo**, Guangdong (CN)  
(\*\*) Term: **15 Years**  
(21) Appl. No.: **29/683,924**

D701,289 S \* 3/2014 Andrew ..... D23/213  
D701,586 S \* 3/2014 Andrew ..... D23/213  
D701,587 S \* 3/2014 Andrew ..... D23/213  
D701,940 S \* 4/2014 Andrew ..... D23/213  
D701,941 S \* 4/2014 Andrew ..... D23/213  
D744,065 S \* 11/2015 Peterson ..... D23/223  
D744,611 S \* 12/2015 Quinn ..... D23/223  
D755,346 S \* 5/2016 Yan ..... D23/223  
9,404,243 B2 \* 8/2016 Cacka ..... B05B 1/1654  
D779,039 S \* 2/2017 Hanna ..... D23/223

(Continued)

(22) Filed: **Mar. 17, 2019**  
(51) **LOC (12) Cl.** ..... **23-01**  
(52) **U.S. Cl.**  
USPC ..... **D23/223; D23/213**  
(58) **Field of Classification Search**  
USPC ..... D23/213, 214, 215, 223, 224, 226, 229,  
D23/230  
CPC ..... A61H 9/0021; A61H 33/00; B05B 1/00;  
B05B 1/14; B05B 1/185; B05B 1/08;  
B05B 1/02; B05B 1/26; B05B 12/002;  
B05B 1/18; B05B 9/01  
See application file for complete search history.

FOREIGN PATENT DOCUMENTS

CN U1734594 \* 10/2018 ..... B05B 1/18  
EM 005843315-0002 \* 12/2018 ..... B05B 1/18

OTHER PUBLICATIONS

<https://www.amazon.com/Hand-held-oval-shower-head-flexible/dp/B01GEZ6I3W> (Year: 2016).\*

*Primary Examiner* — Manpreet S Matharu  
*Assistant Examiner* — Keith J Wilson

(56) **References Cited**

U.S. PATENT DOCUMENTS

6,537,455 B2 \* 3/2003 Farley ..... C02F 1/00  
210/251  
D503,463 S \* 3/2005 Hughes ..... D23/213  
D559,945 S \* 1/2008 Patterson ..... D23/213  
D564,621 S \* 3/2008 Lammel ..... D23/223  
D578,181 S \* 10/2008 Pan ..... D23/213  
D578,604 S \* 10/2008 Wu ..... D23/223  
D581,014 S \* 11/2008 Quinn ..... D23/223  
D610,651 S \* 2/2010 Wu ..... D23/223  
7,866,576 B1 \* 1/2011 Farley ..... E03C 1/0409  
239/553  
D634,810 S \* 3/2011 Yoo ..... D23/213  
D659,796 S \* 5/2012 Farley ..... D23/223  
D659,797 S \* 5/2012 Farley ..... D23/223  
D666,010 S \* 8/2012 Farley ..... D6/309  
D680,619 S \* 4/2013 Zhadanov ..... D23/223  
D681,776 S \* 5/2013 Cutler ..... D23/223  
D701,288 S \* 3/2014 Andrew ..... D23/213

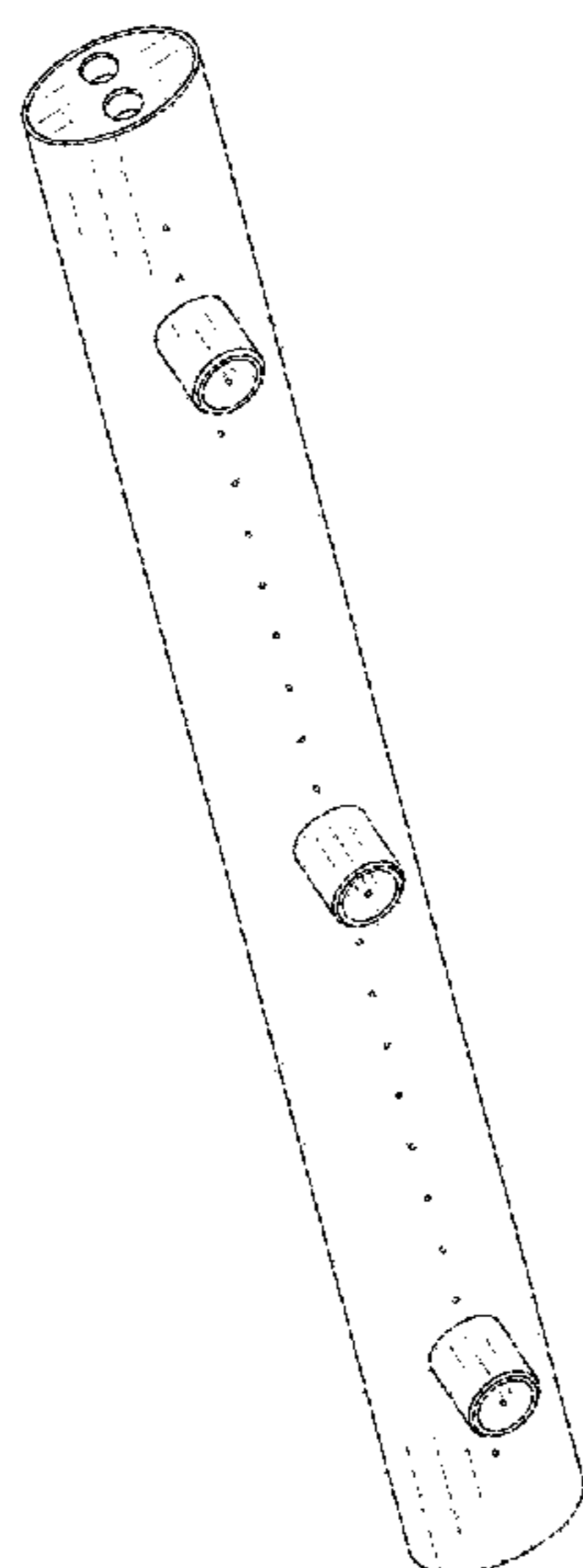
(57) **CLAIM**

The ornamental design for a handheld shower, as shown and described.

**DESCRIPTION**

FIG. 1 is a front and top perspective view of a handheld shower showing my new design;  
FIG. 2 is a front elevation view thereof;  
FIG. 3 is a rear elevation view thereof;  
FIG. 4 is a left side elevation view thereof;  
FIG. 5 is a right side elevation view thereof;  
FIG. 6 is top plan view thereof, shown enlarged in scale;  
FIG. 7 is a bottom plan view thereof, shown enlarged in scale; and,  
FIG. 8 is is an enlarged view of the handheld shower taken from the circled portion in FIG. 2.

**1 Claim, 8 Drawing Sheets**



(56)

**References Cited**

U.S. PATENT DOCUMENTS

D791,913 S \* 7/2017 Andrew ..... D23/213  
9,764,339 B2 \* 9/2017 Yu ..... B05B 1/18  
D803,981 S \* 11/2017 Thurgood ..... D23/223  
D810,861 S \* 2/2018 Weaver ..... D23/213  
D820,949 S \* 6/2018 Reinecker ..... D23/213  
D832,975 S \* 11/2018 Garuti ..... D23/213  
D842,967 S \* 3/2019 Farley ..... D23/213  
D843,549 S \* 3/2019 Thurgood ..... D23/223  
10,234,054 B1 \* 3/2019 Yang ..... F16K 31/52408  
D857,842 S \* 8/2019 Yu ..... D23/213  
10,449,558 B2 \* 10/2019 Thurgood ..... B05B 1/205  
2012/0031511 A1 \* 2/2012 Farley ..... E03C 1/0408  
137/544  
2019/0091715 A1 \* 3/2019 Mercado ..... B05B 1/185

\* cited by examiner

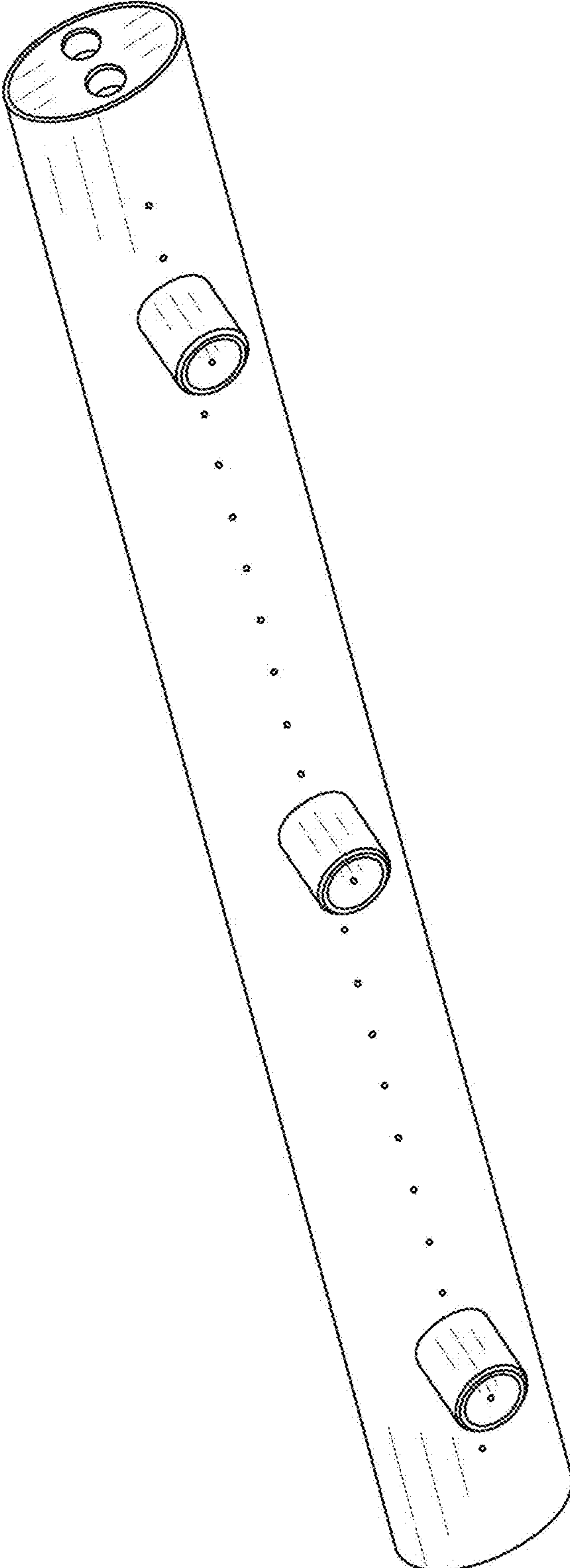


FIG.1

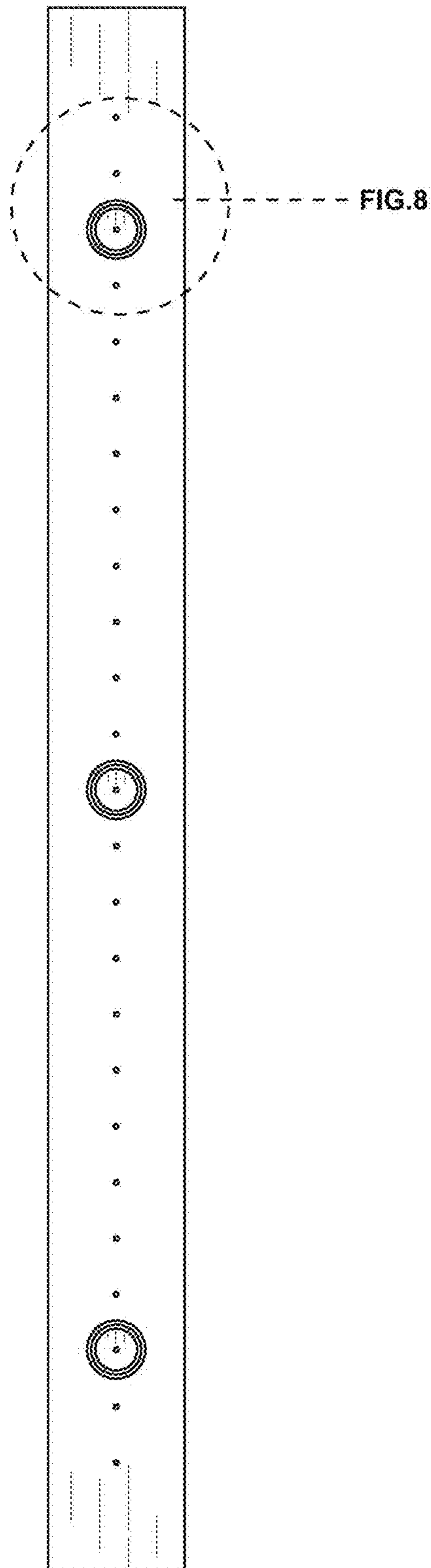


FIG. 2



FIG.3

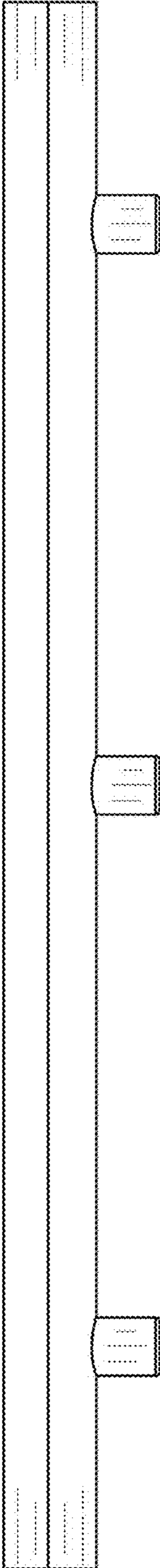


FIG.4

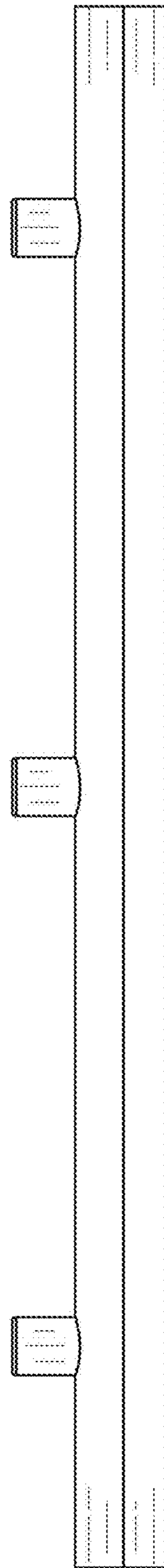


FIG.5

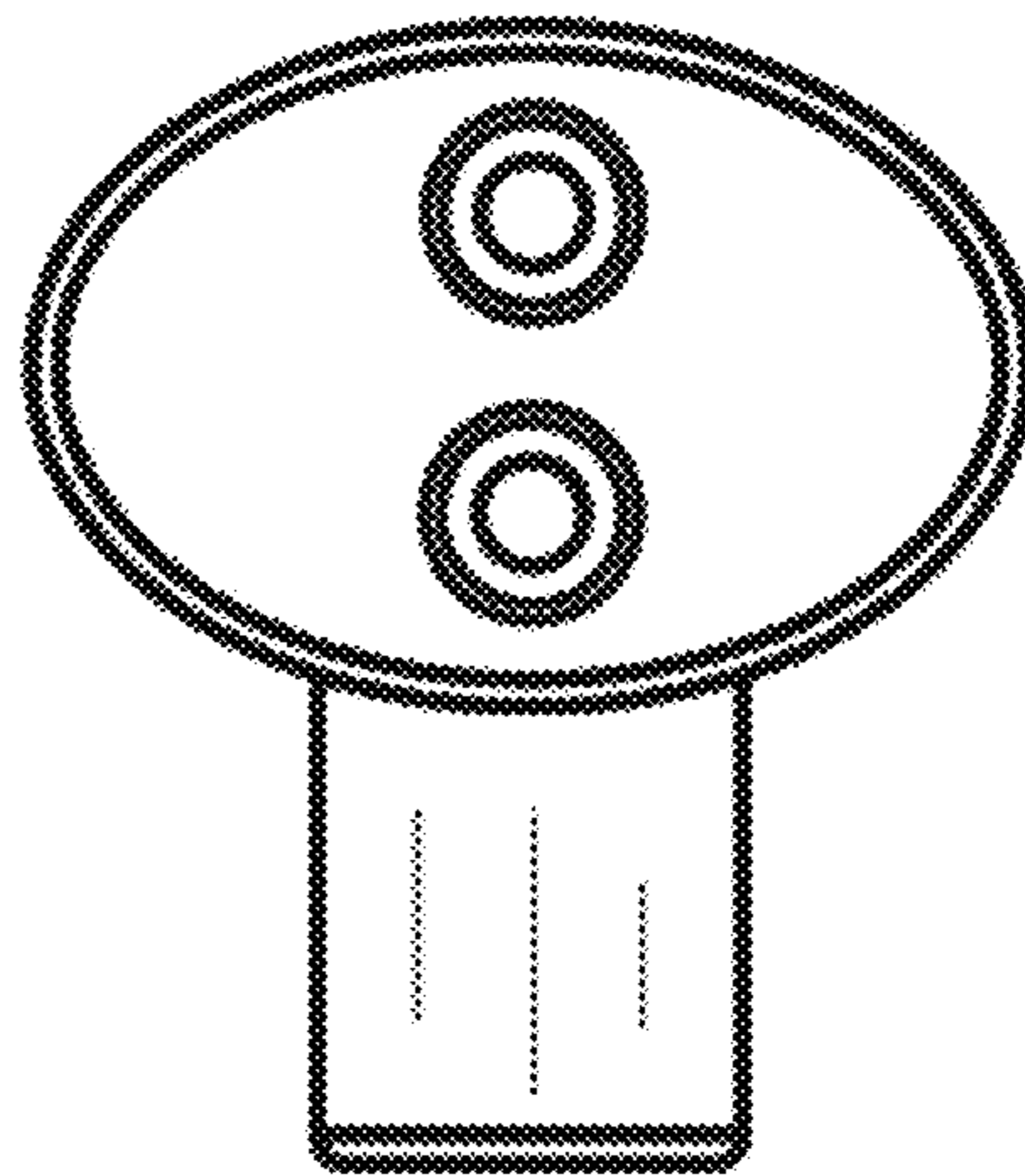


FIG.6



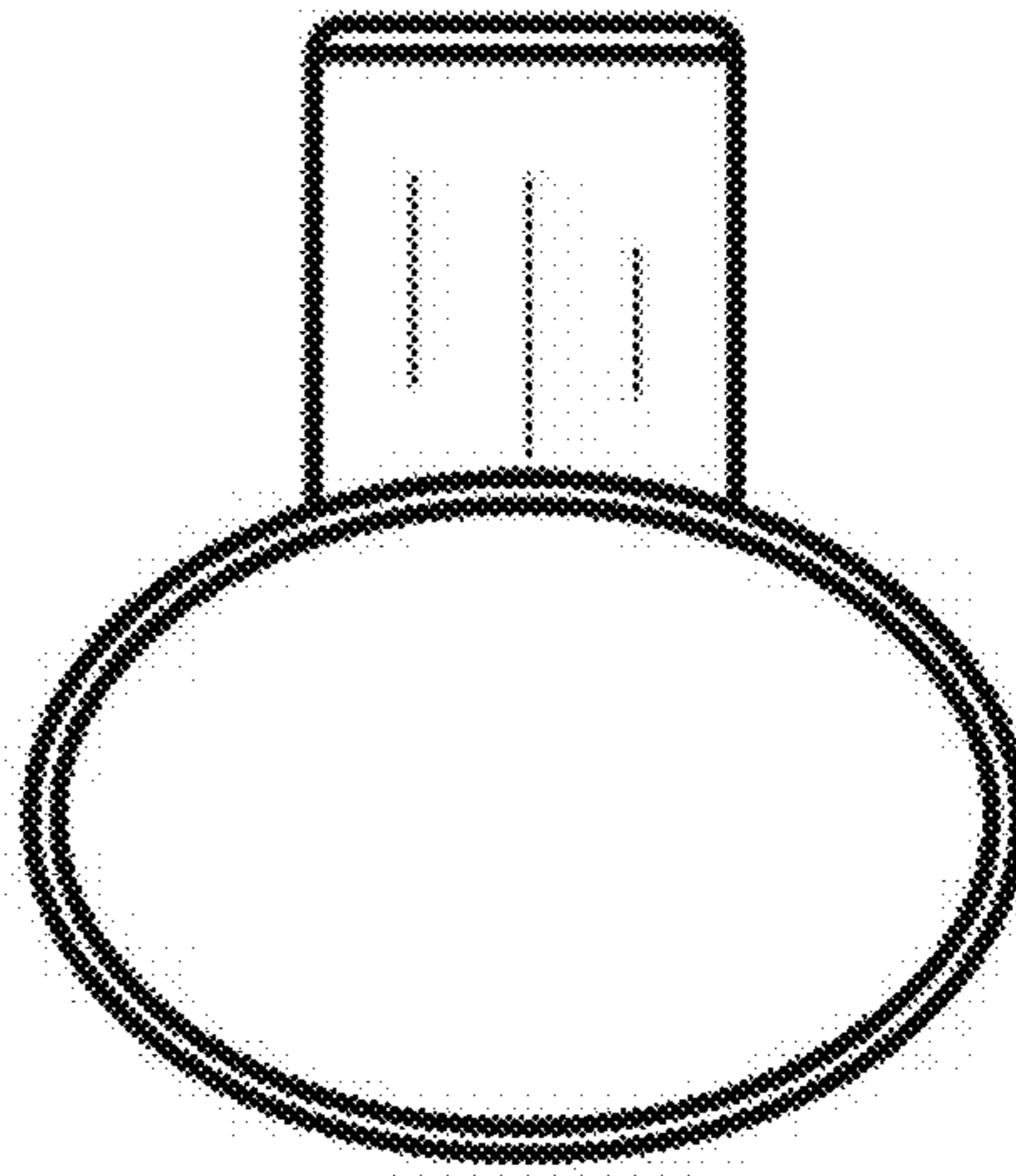


FIG. 7

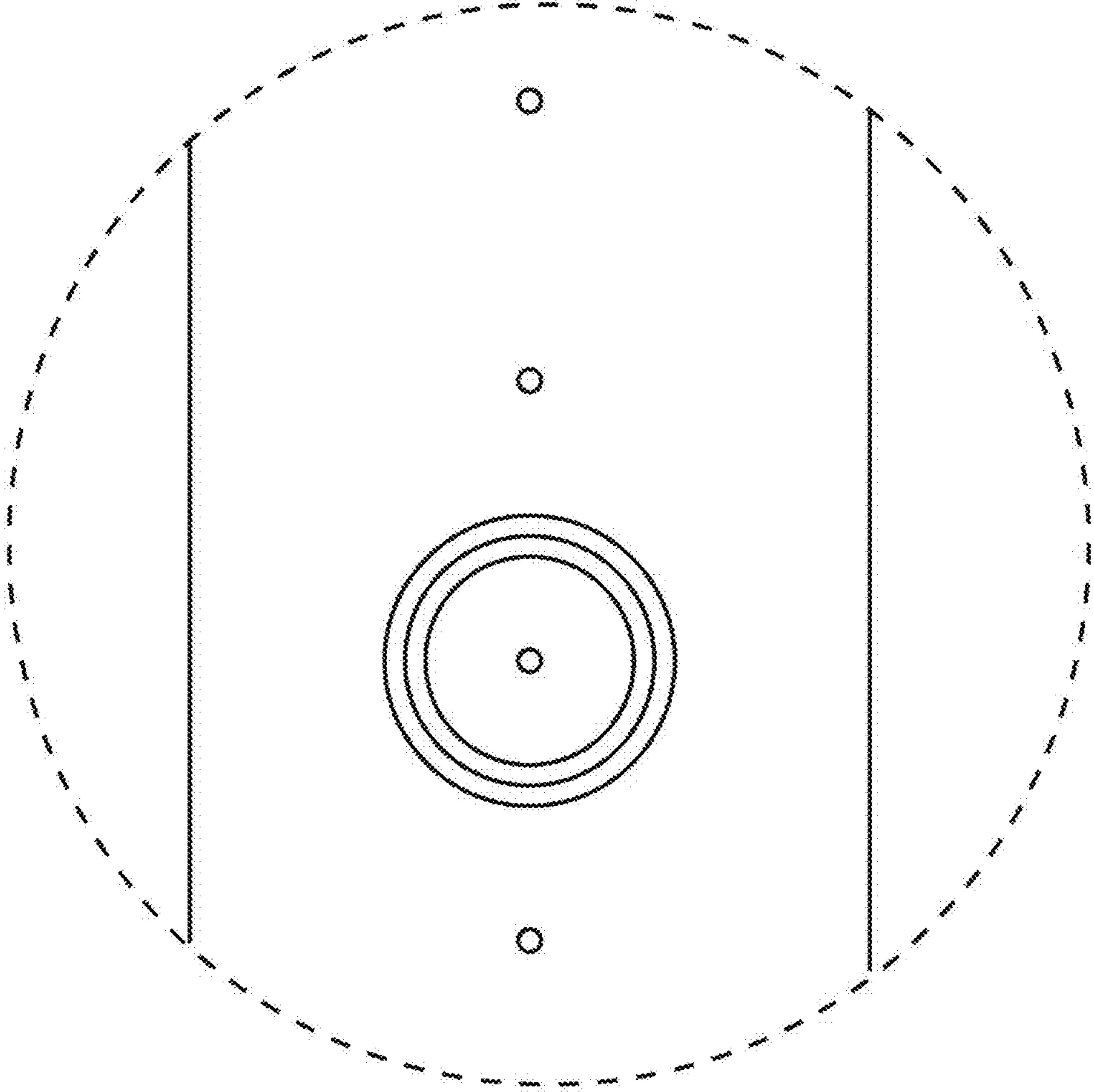


FIG. 8