



US00D886946S

(12) **United States Design Patent** (10) **Patent No.:** **US D886,946 S**
Ladwig et al. (45) **Date of Patent:** **** Jun. 9, 2020**

(54) **SHOWERHEAD**
(71) Applicant: **WATER PIK, INC.**, Fort Collins, CO (US)
(72) Inventors: **Jeffrey Ladwig**, Seattle, WA (US); **Austin Rand Porter**, Seattle, WA (US)
(73) Assignee: **Water Pik, Inc.**, Fort Collins, CO (US)
(**) Term: **15 Years**
(21) Appl. No.: **29/656,864**

D581,014 S 11/2008 Quinn et al.
D610,231 S * 2/2010 Wu D23/223
D617,419 S * 6/2010 Lee D23/223
D621,905 S * 8/2010 Yoo D23/213
D652,106 S 1/2012 Yoo
D654,983 S * 2/2012 Schoenherr D23/223
D659,794 S * 5/2012 Flowers D23/223
D668,743 S 10/2012 Kennedy et al.
D669,156 S 10/2012 Schoenherr et al.
D672,011 S * 12/2012 Andrew D23/223
D680,619 S 4/2013 Zhadanov
D681,776 S 5/2013 Cutler et al.
D682,393 S * 5/2013 Bossini D23/223
D694,361 S * 11/2013 Schoenherr D23/223

(Continued)

(22) Filed: **Jul. 17, 2018**
(51) **LOC (12) Cl.** **23-01**
(52) **U.S. Cl.**
USPC **D23/223**
(58) **Field of Classification Search**
USPC D23/213, 214, 221, 222, 223, 226, 227,
D23/229, 230, 364, 366; D8/8; D9/521,
D9/529, 687; D12/400; D15/139;
D32/41, 42, 49; D4/118
CPC A62C 31/02; A62C 31/03; B05B 1/304;
B05B 1/308; B65D 47/247; B65D 47/24;
B65D 47/32; B65D 47/06
See application file for complete search history.

FOREIGN PATENT DOCUMENTS

TW D144394 12/2011
TW D161516 7/2014
TW D188532 2/2018

Primary Examiner — Cathron C Brooks
Assistant Examiner — John A Voytek
(74) *Attorney, Agent, or Firm* — Dorsey & Whitney LLP

(57) **CLAIM**

We claim the ornamental design for a showerhead, as shown and described.

(56) **References Cited**

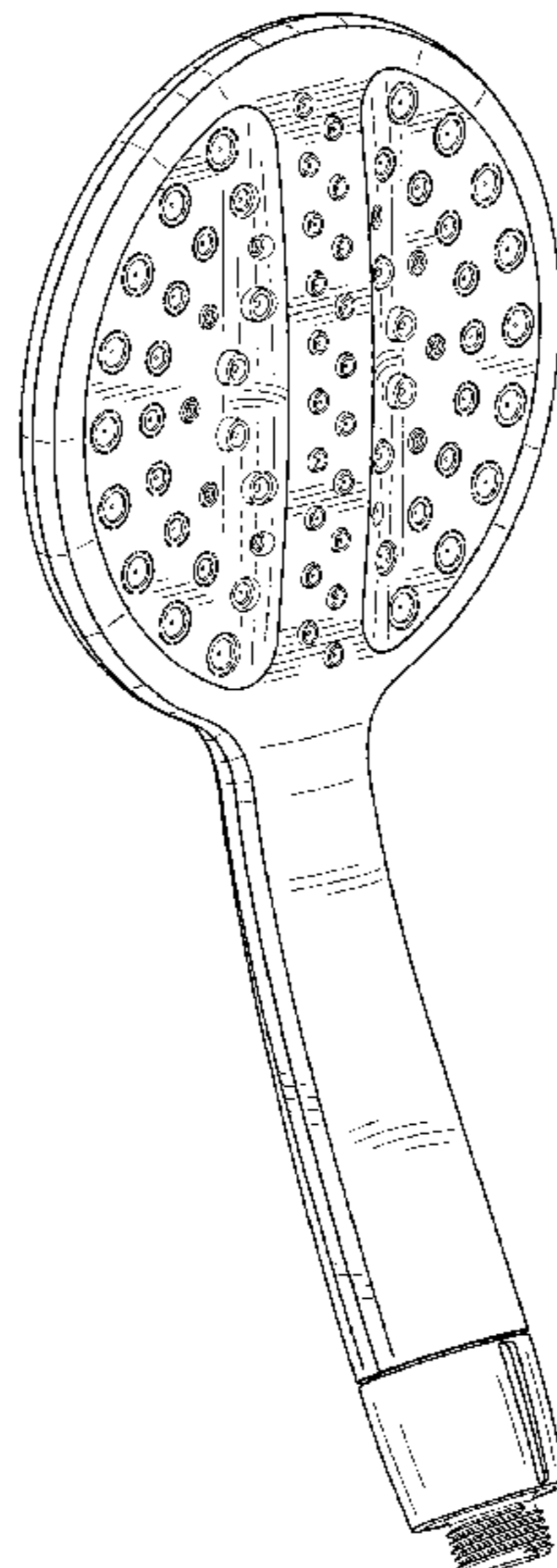
U.S. PATENT DOCUMENTS

4,190,207 A 2/1980 Feinhold et al.
D268,359 S 3/1983 Klose
5,476,225 A 12/1995 Chan
5,690,282 A 11/1997 Guo
D432,627 S 10/2000 Tse
D510,123 S 9/2005 Tsai
D511,809 S * 11/2005 Haug D23/223
D525,341 S 7/2006 Bossini
D530,391 S 10/2006 Tse
D531,262 S 10/2006 Tse
D557,764 S 12/2007 Schonherr et al.
D564,621 S 3/2008 Lammel et al.

DESCRIPTION

FIG. 1 is a front isometric view of a showerhead.
FIG. 2 is a rear isometric view thereof.
FIG. 3 is a front elevation view thereof.
FIG. 4 is a rear elevation view thereof.
FIG. 5 is a left side elevation view thereof.
FIG. 6 is a right side elevation view thereof.
FIG. 7 is a top plan view thereof; and,
FIG. 8 is a bottom plan view thereof.
The broken lines in the drawings show portions of the showerhead that form no part of the claimed design.

1 Claim, 7 Drawing Sheets



(56)

References Cited

U.S. PATENT DOCUMENTS

D697,177	S *	1/2014	Schoenherr	D23/223
D707,330	S *	6/2014	Schoenherr	D23/223
D733,258	S *	6/2015	Sandee	D23/223
D744,065	S	11/2015	Peterson et al.	
D744,611	S	12/2015	Quin	
D744,612	S	12/2015	Peterson et al.	
D755,346	S	5/2016	Yan	
9,404,243	B2	8/2016	Cacka et al.	
D779,039	S	2/2017	Hanna et al.	
9,764,339	B2	9/2017	Yu	
D803,351	S	11/2017	Ladwig et al.	
D811,524	S *	2/2018	Bossini	D23/223
D844,749	S *	4/2019	Cocks	D23/223
D847,302	S *	4/2019	Cocks	D23/223
2014/0367482	A1	12/2014	Cacka et al.	
2015/0211728	A1	7/2015	Zhadanov et al.	
2017/0297039	A1	10/2017	Cacka et al.	

* cited by examiner

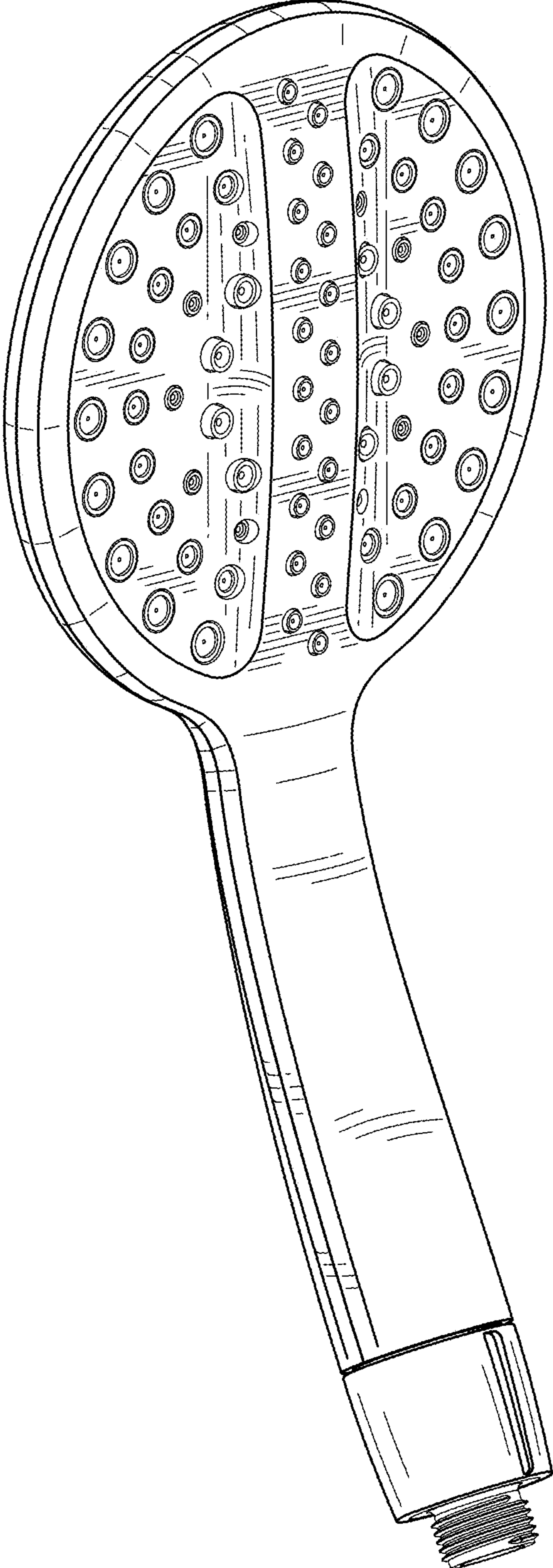


FIG. 1

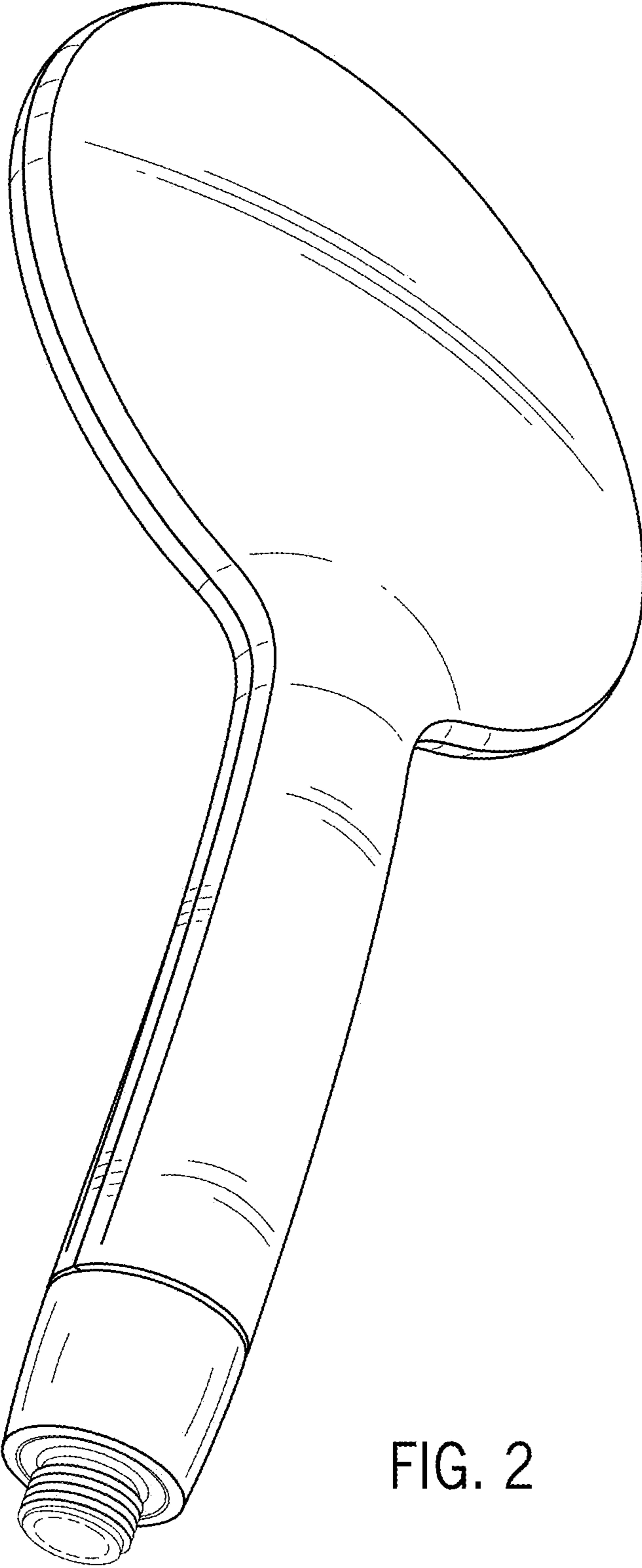


FIG. 2

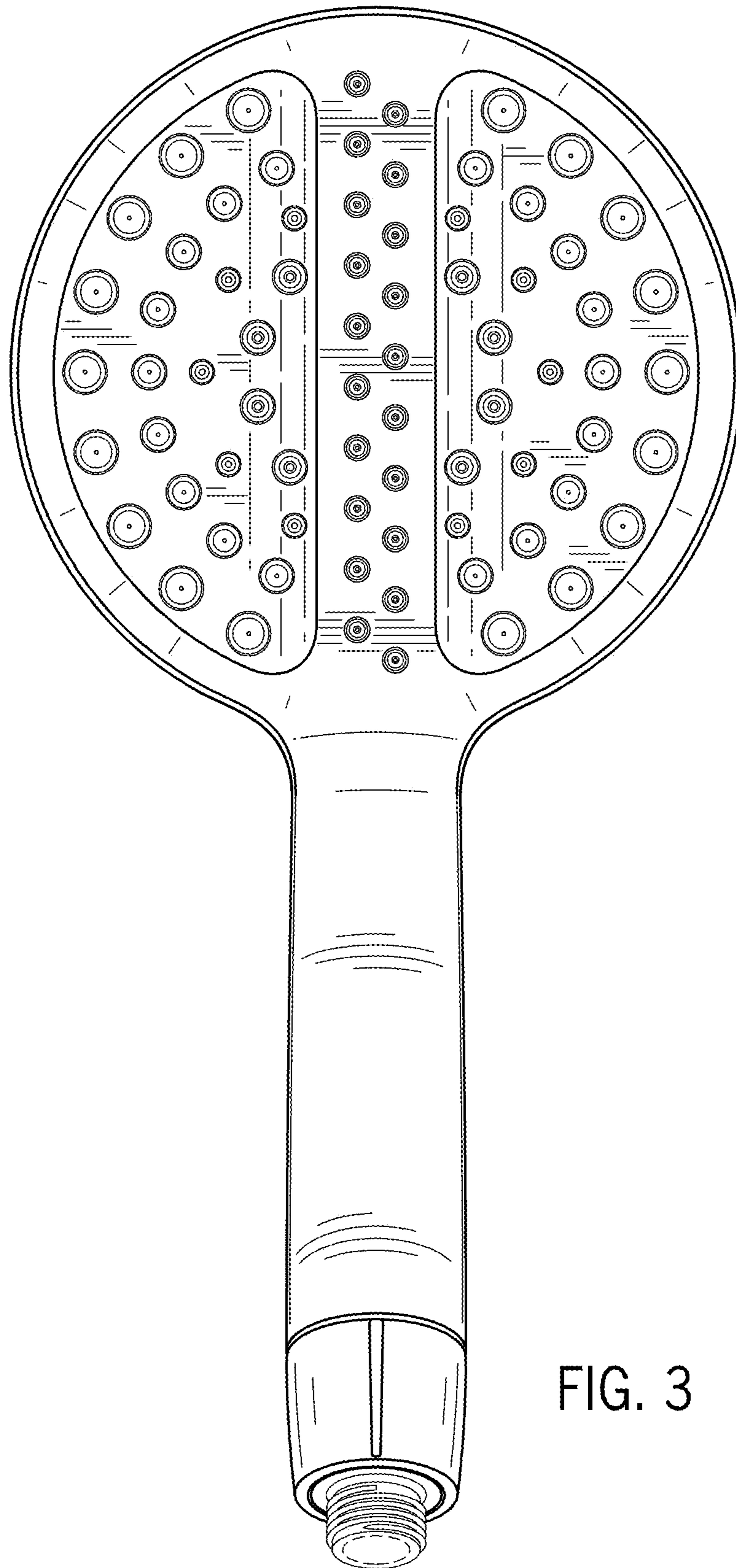


FIG. 3

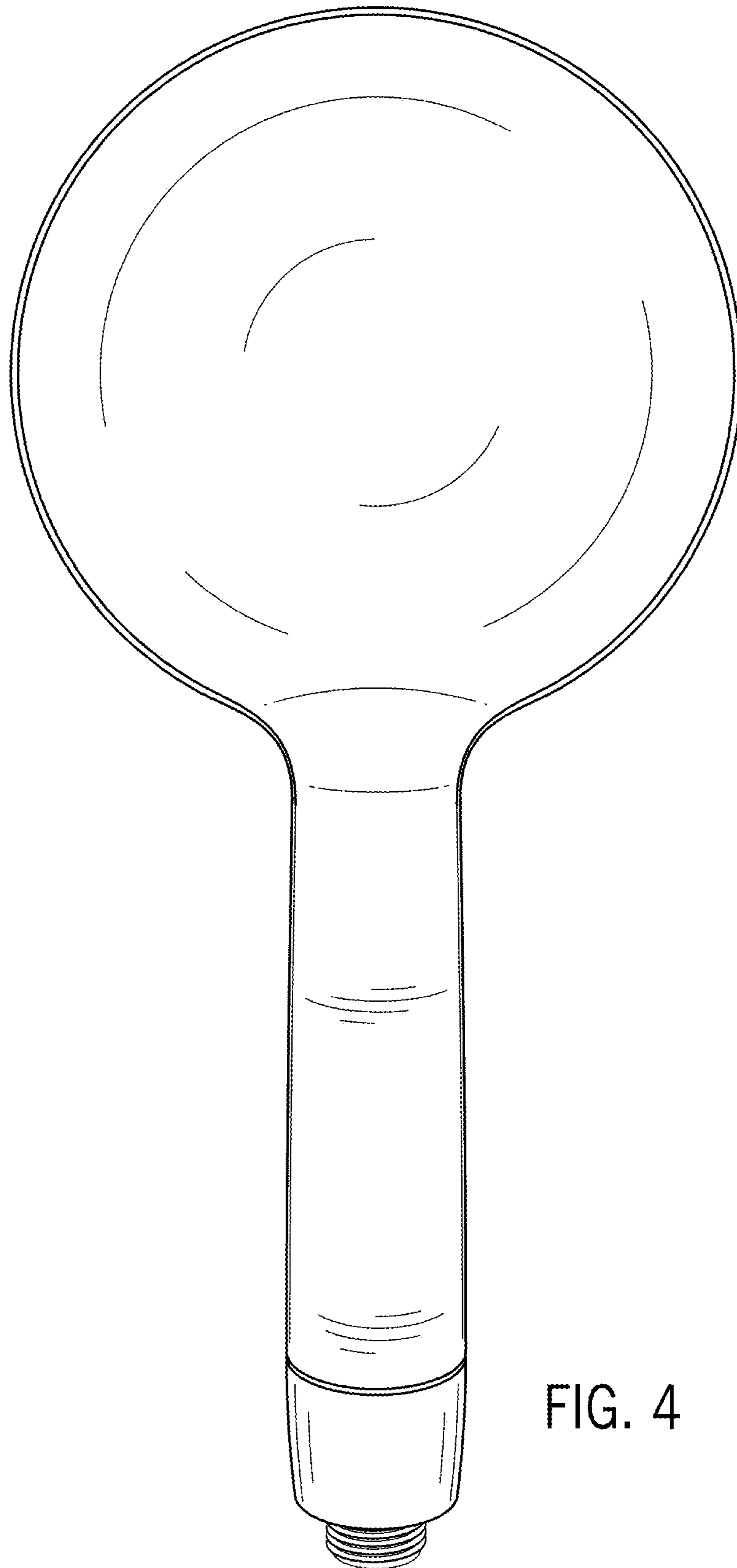


FIG. 4

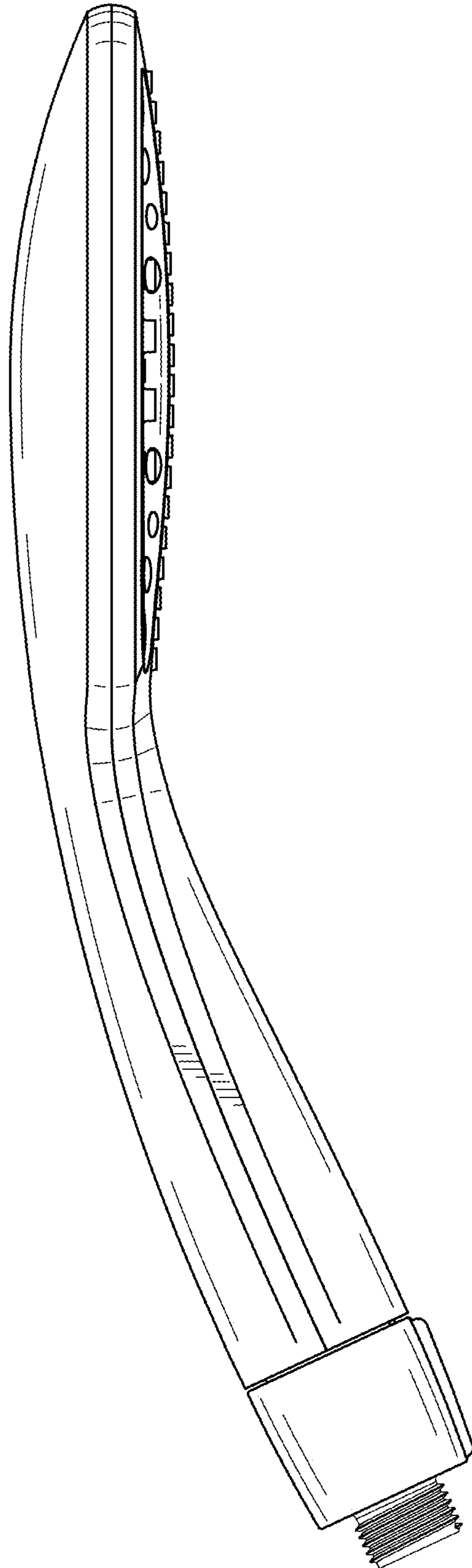


FIG. 5

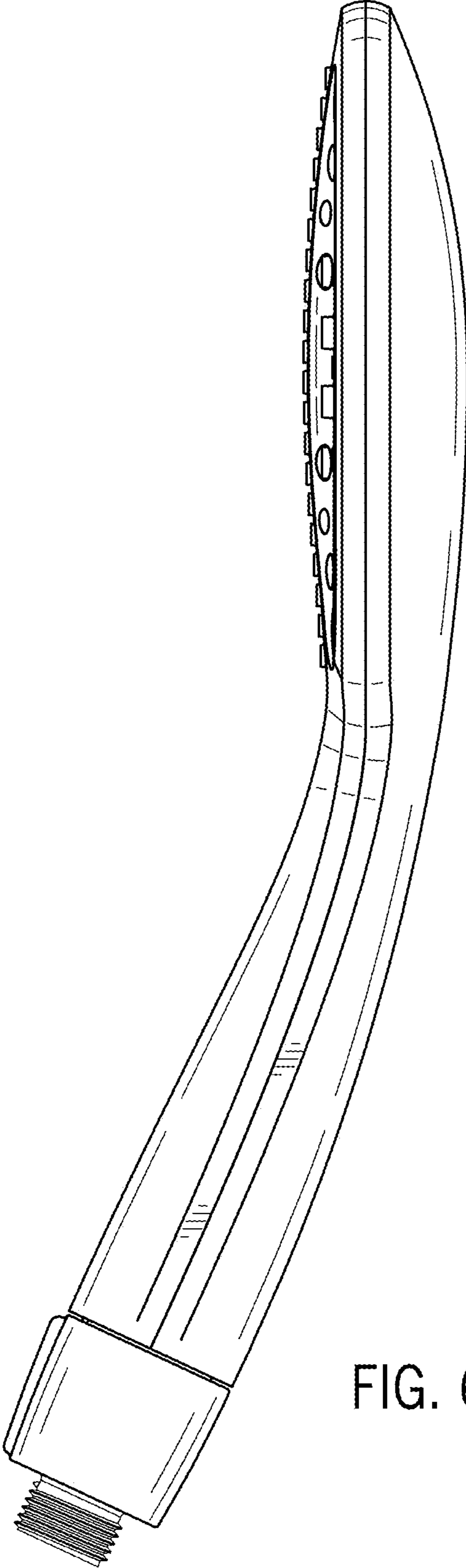


FIG. 6

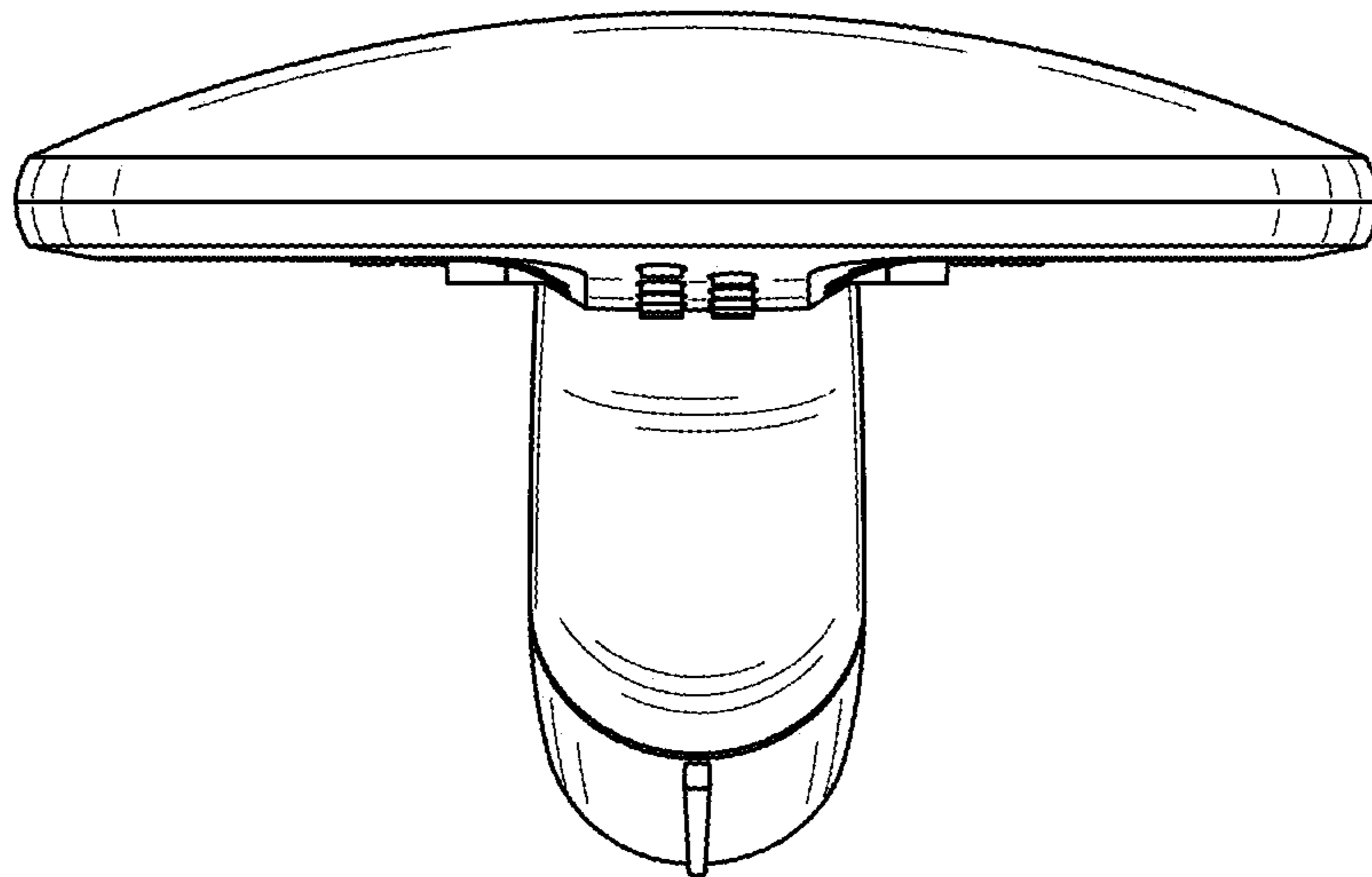


FIG. 7

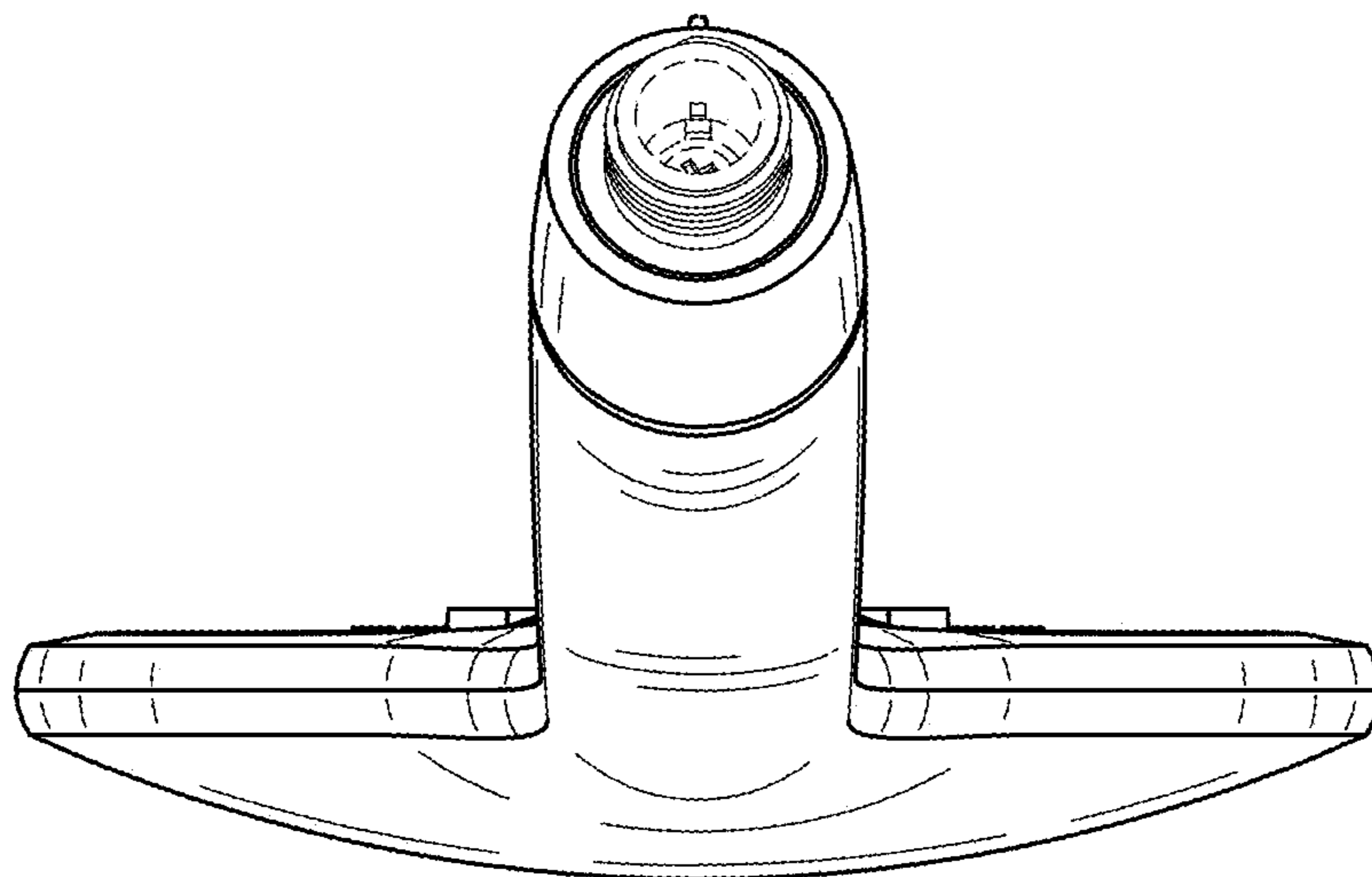


FIG. 8