



US00D886945S

(12) **United States Design Patent**
Ohkoshi et al.

(10) **Patent No.:** **US D886,945 S**
(45) **Date of Patent:** **** Jun. 9, 2020**

(54) **DEFLECTOR FOR SPRINKLER HEAD**

(71) Applicant: **SENJU SPRINKLER CO., LTD.**,
Tokyo (JP)

(72) Inventors: **Hisayoshi Ohkoshi**, Tokyo (JP);
Yoshiki Sasaki, Tokyo (JP); **Yuta**
Watanabe, Tokyo (JP)

(73) Assignee: **SENJU SPRINKLER CO., LTD.**,
Tokyo (JP)

(**) Term: **15 Years**

(21) Appl. No.: **29/664,430**

(22) Filed: **Sep. 25, 2018**

(30) **Foreign Application Priority Data**

Mar. 27, 2018 (JP) 2018-006522

(51) **LOC (12) Cl.** **23-01**

(52) **U.S. Cl.**
USPC **D23/214**

(58) **Field of Classification Search**
USPC D23/213, 214, 215, 223, 224, 226, 229,
D23/230
CPC A61H 9/0021; A61H 33/00; B05B 1/00;
B05B 1/14; B05B 1/185; B05B 1/08;
B05B 1/02; B05B 1/26; B05B 12/002;
B05B 1/18; B05B 9/01; F16L 37/46;
F16L 37/00; F17C 13/12; F17C
2205/0376

See application file for complete search history.

(56) **References Cited**

U.S. PATENT DOCUMENTS

4,296,816 A 10/1981 Fischer
4,901,799 A * 2/1990 Pepi A62C 37/12
169/39
D348,719 S * 7/1994 Dolan D23/214
5,722,599 A 3/1998 Fries

5,727,737 A * 3/1998 Bosio A62C 31/02
169/37
6,336,509 B1 * 1/2002 Polan A62C 37/11
169/37
6,868,917 B2 * 3/2005 Meyer A62C 37/11
169/16

(Continued)

FOREIGN PATENT DOCUMENTS

CN 30310292 S 2/2015
JP 1249004 S 8/2005

(Continued)

OTHER PUBLICATIONS

<https://www.senjuprunker.com/product/fr-qr-5-6k-hsw-ss2553-copy/> (Year: 2019).*

(Continued)

Primary Examiner — Manpreet S Matharu

Assistant Examiner — Keith J Wilson

(74) *Attorney, Agent, or Firm* — Buchanan, Ingersoll & Rooney PC

(57) **CLAIM**

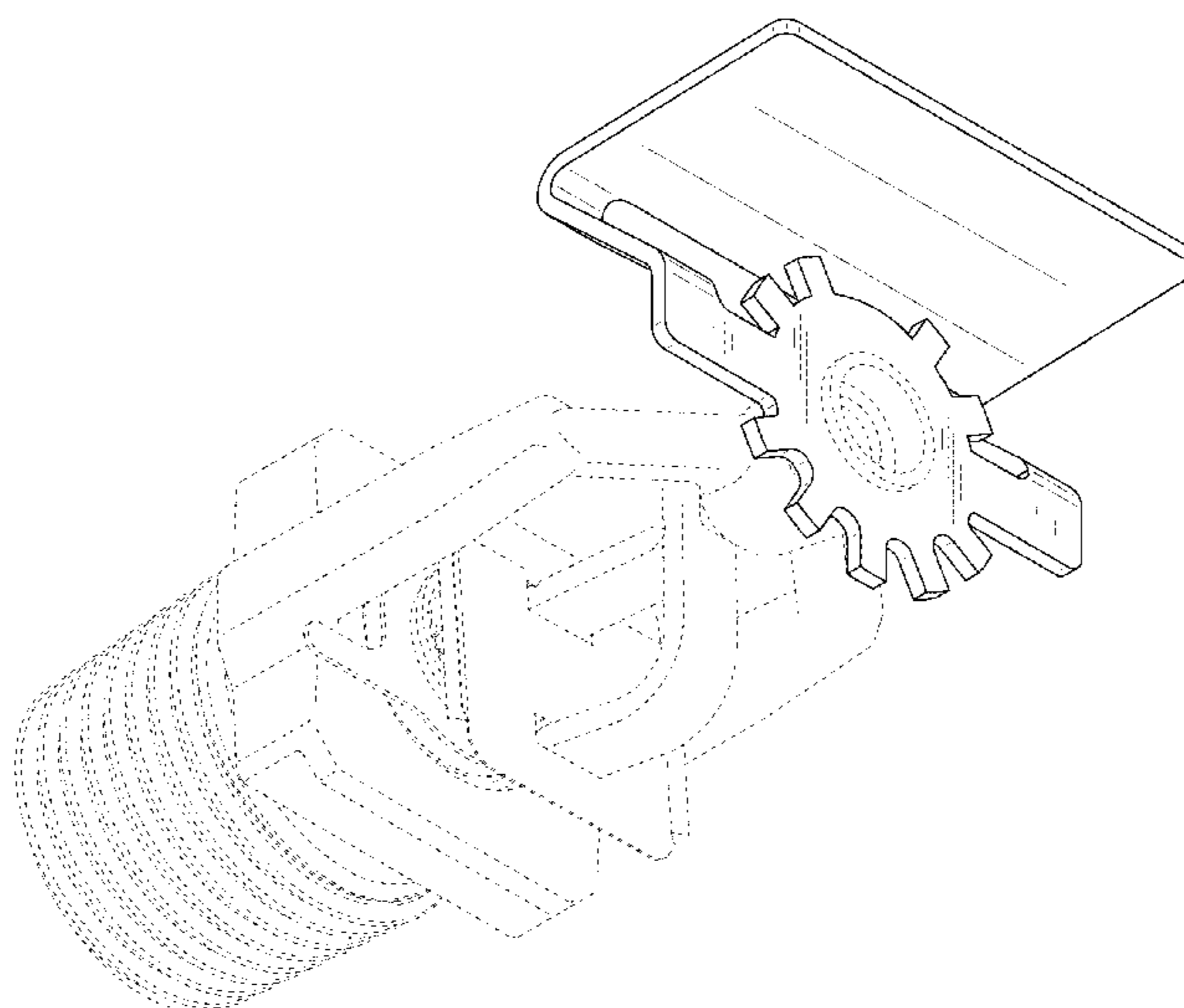
The ornamental design for a deflector for a sprinkler head, as shown and described.

DESCRIPTION

FIG. 1 is a front elevational view of a deflector for a sprinkler head showing our new design; FIG. 2 is a rear elevational view thereof; FIG. 3 is a right side view thereof; FIG. 4 is a left side view thereof; FIG. 5 is a top plan view thereof; FIG. 6 is a bottom plan view thereof; and, FIG. 7 is a perspective view thereof showing a front, bottom and left side.

The broken lines shown represents portions of a deflector for sprinkler head and form no part of the claimed design.

1 Claim, 7 Drawing Sheets



(56)

References Cited

U.S. PATENT DOCUMENTS

7,137,455 B2 * 11/2006 Green A62C 31/02
169/37
D544,569 S * 6/2007 Franson D23/214
D546,415 S * 7/2007 Franson D23/214
D546,416 S * 7/2007 Franson D23/214
D546,417 S * 7/2007 Franson D23/214
D550,808 S * 9/2007 Franson D23/213
D551,320 S * 9/2007 Franson D23/214
7,353,882 B2 * 4/2008 Pahila A62C 37/14
169/16
D603,479 S * 11/2009 Koiwa D23/214
7,614,457 B2 11/2009 Green
D612,450 S * 3/2010 Feenstra D23/214
D617,415 S * 6/2010 Feenstra D23/214
7,784,555 B2 8/2010 Pahila
7,819,201 B2 * 10/2010 Pounder A62C 37/11
169/16
D638,913 S * 5/2011 Koiwa D23/214
8,122,969 B1 * 2/2012 Fischer A62C 31/02
169/16
8,151,897 B1 4/2012 Meyer et al.
D667,079 S * 9/2012 Polan D23/214

8,387,711 B2 * 3/2013 Cordell A62C 35/68
169/16
D699,321 S * 2/2014 Karihara D23/214
8,887,821 B2 11/2014 Cordell et al.
D724,696 S * 3/2015 Baroav D23/214
D726,871 S * 4/2015 Keynan D23/214
D781,399 S * 3/2017 Koiwa D23/214

FOREIGN PATENT DOCUMENTS

JP	1619051 S	11/2018
TW	D128323	4/2009
TW	D160588	5/2014

OTHER PUBLICATIONS

Office Communication (Notice) dated Nov. 26, 2018 in corresponding Japanese Patent Application No. 2018-006522, 6 pages.
Office Action (Notice of Allowance) dated Mar. 27, 2018, by the Taiwanese Patent Office in corresponding Taiwanese Patent Application No. 107304369, 3 pages.
Office Action dated Mar. 3, 2019, by the Korean Patent Office in corresponding Korean Patent Application No. 2018-0039889, 5 pages.

* cited by examiner

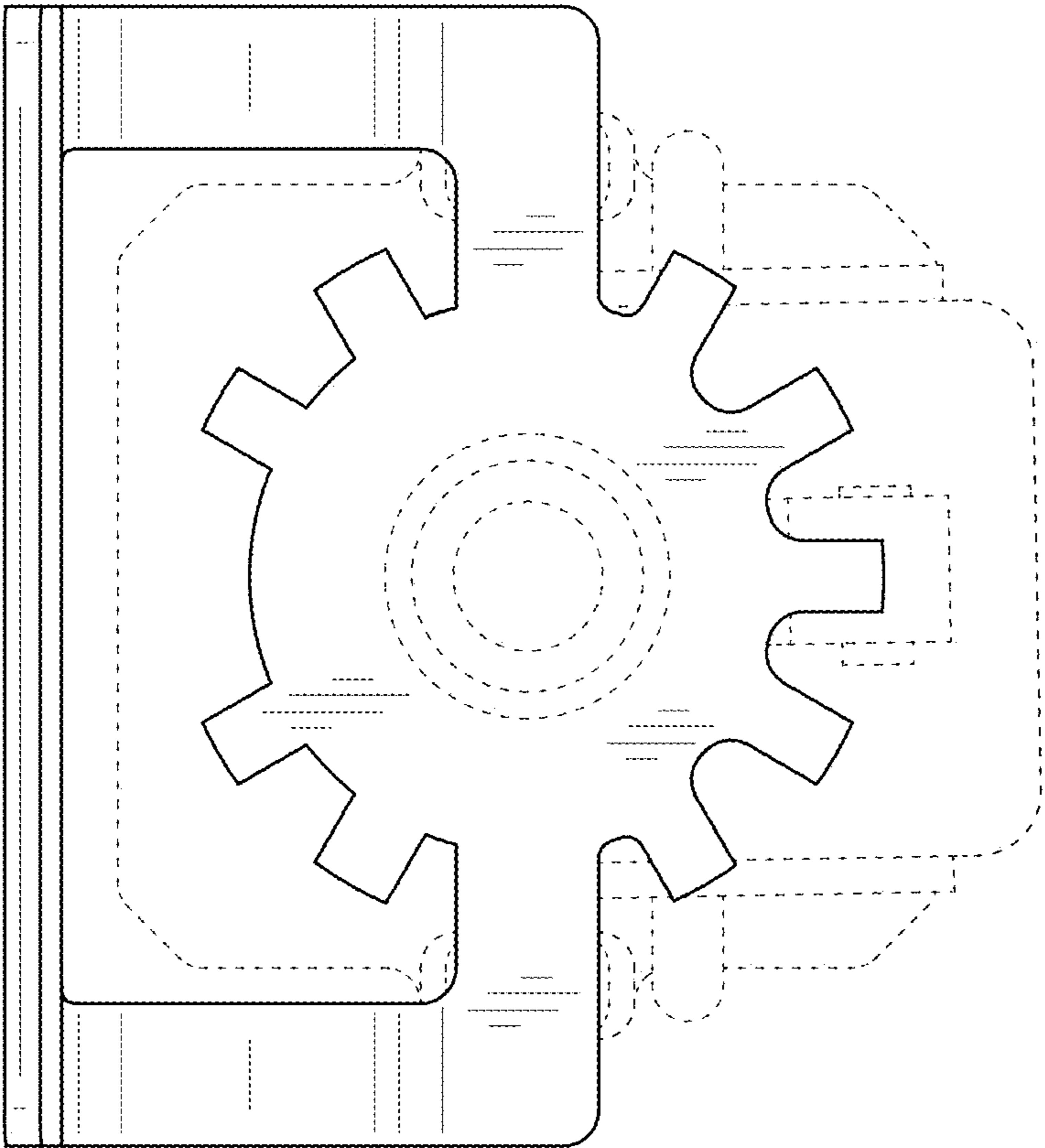


FIG. 1

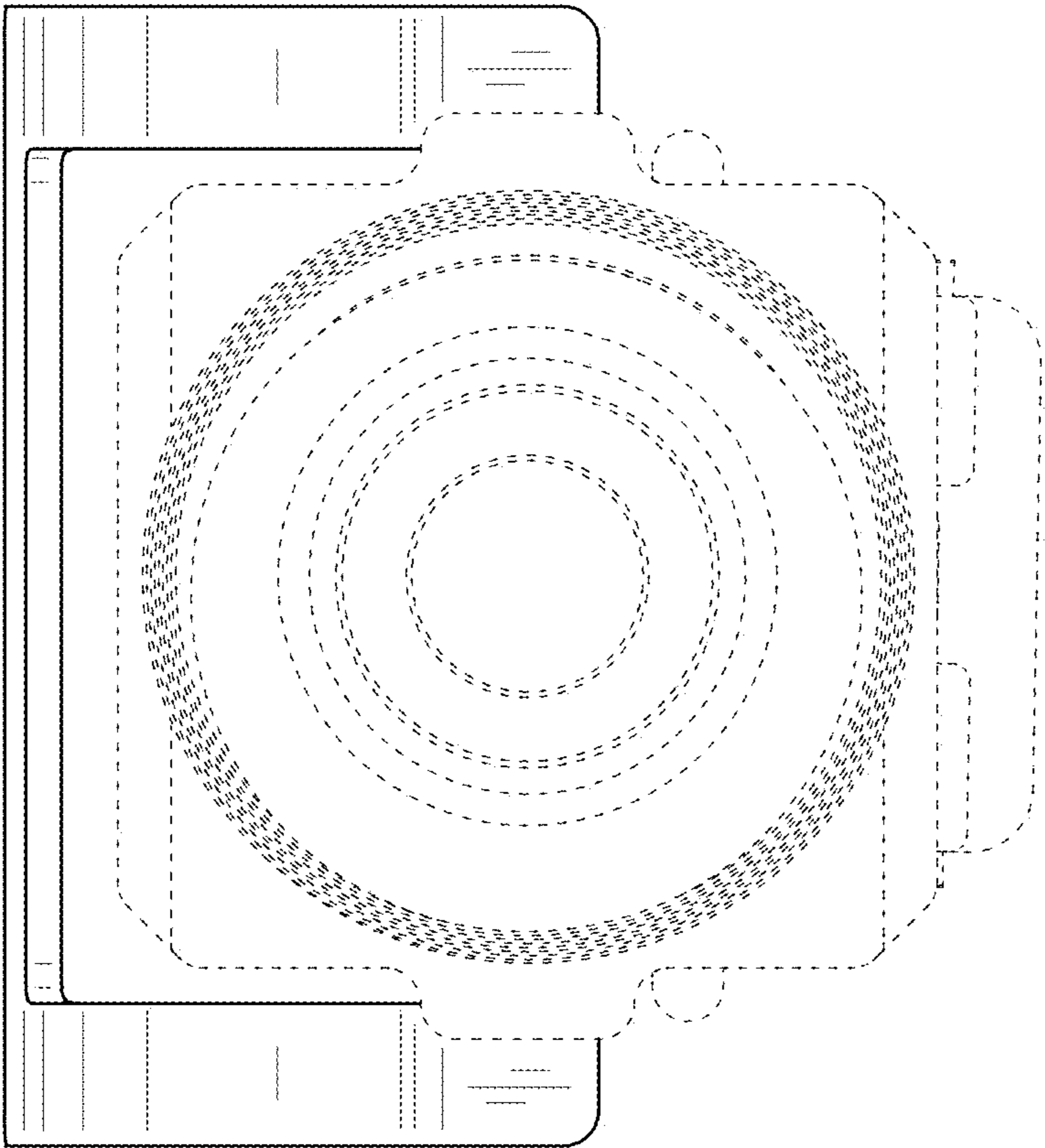


FIG. 2

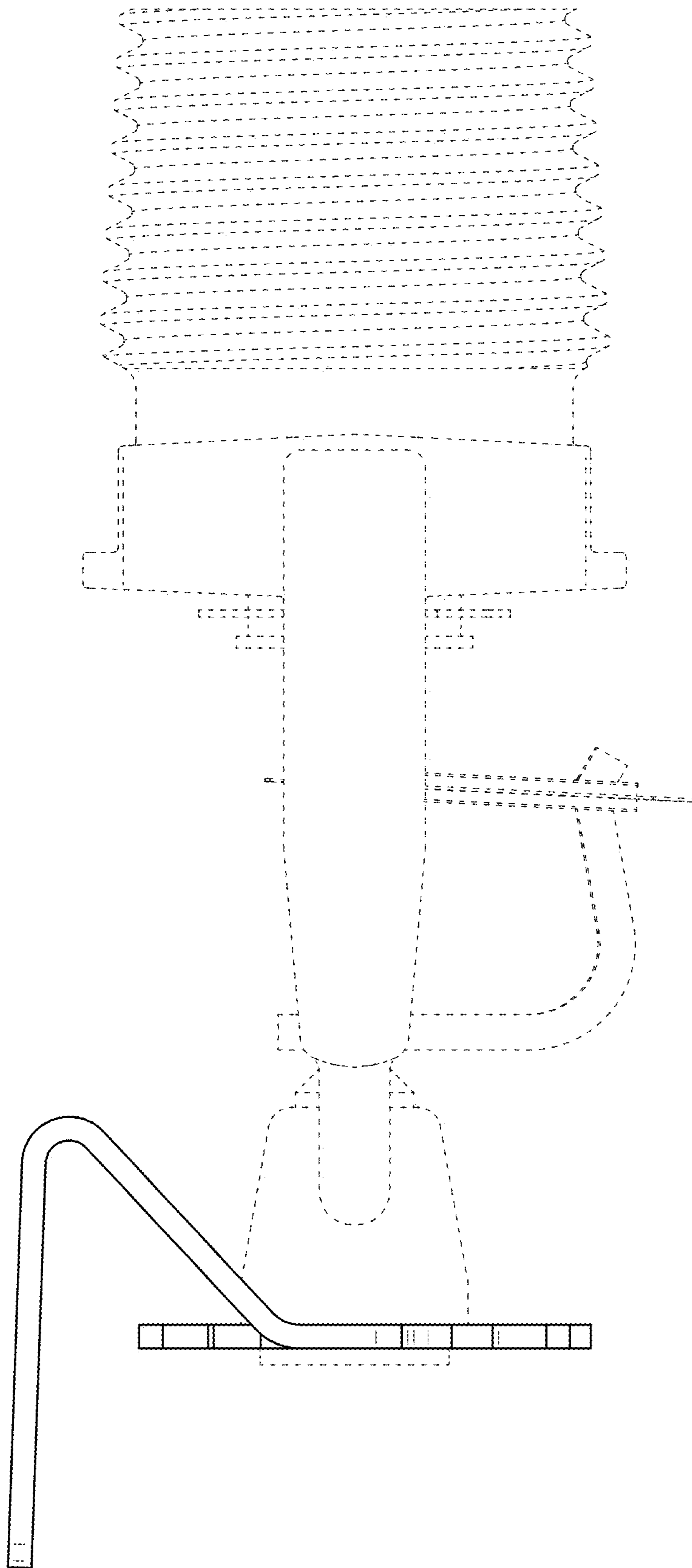


FIG. 3

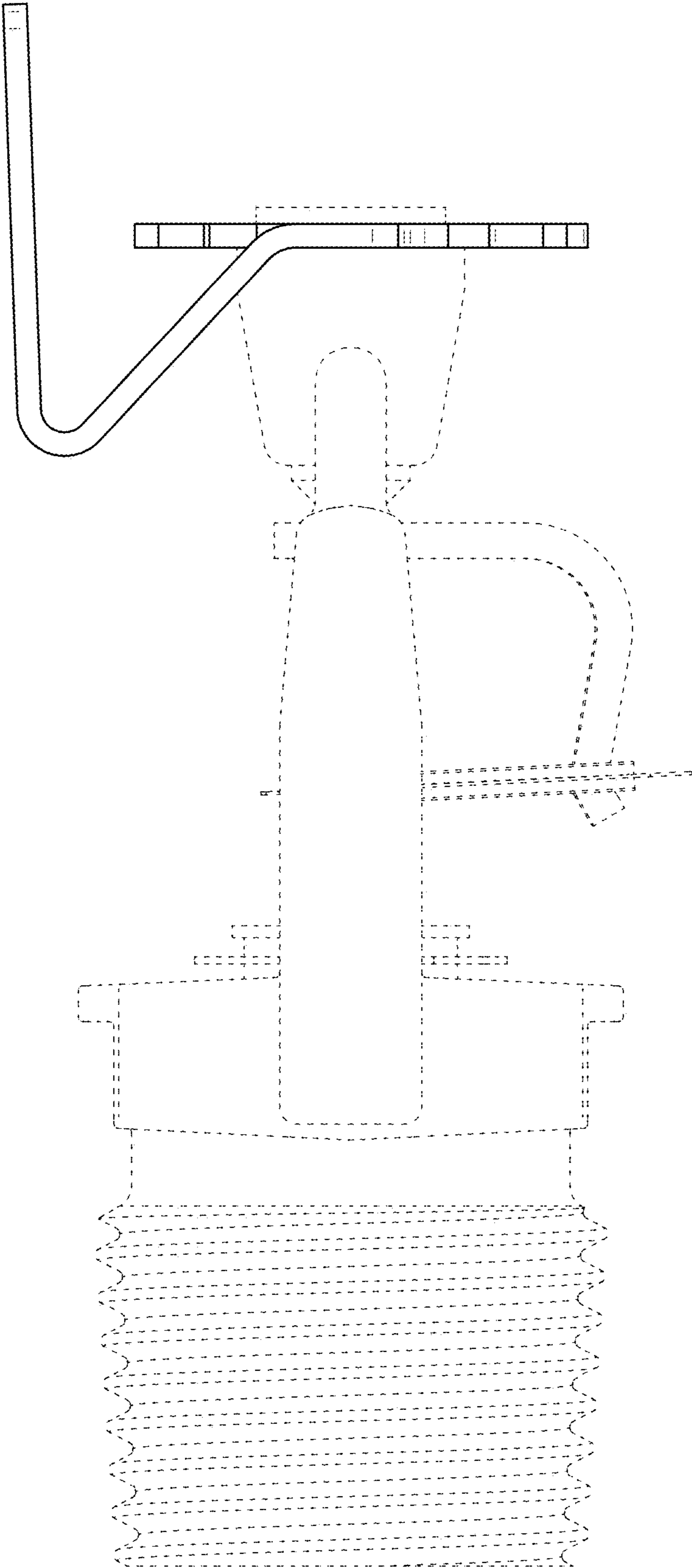


FIG. 4

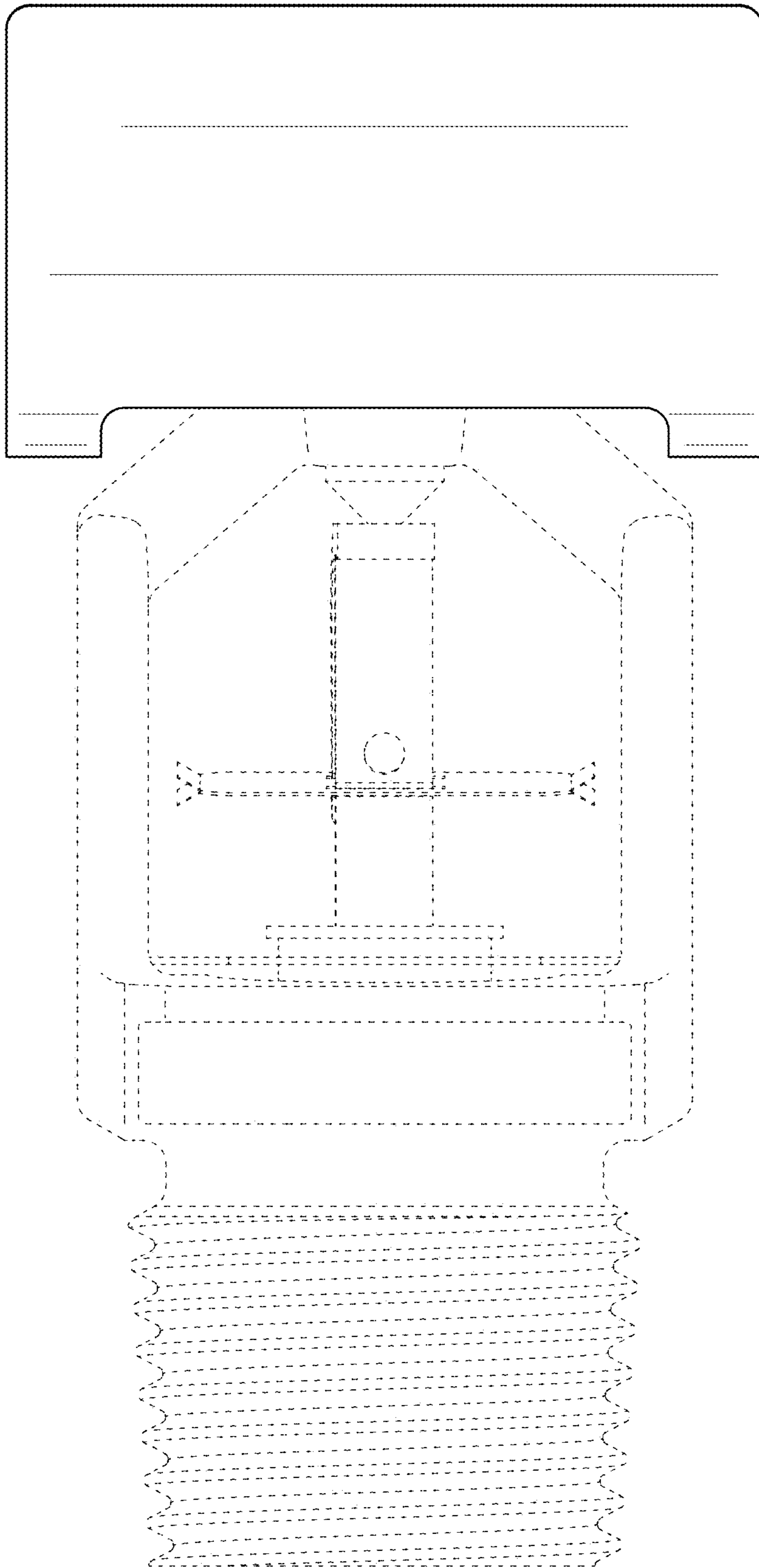


FIG. 5

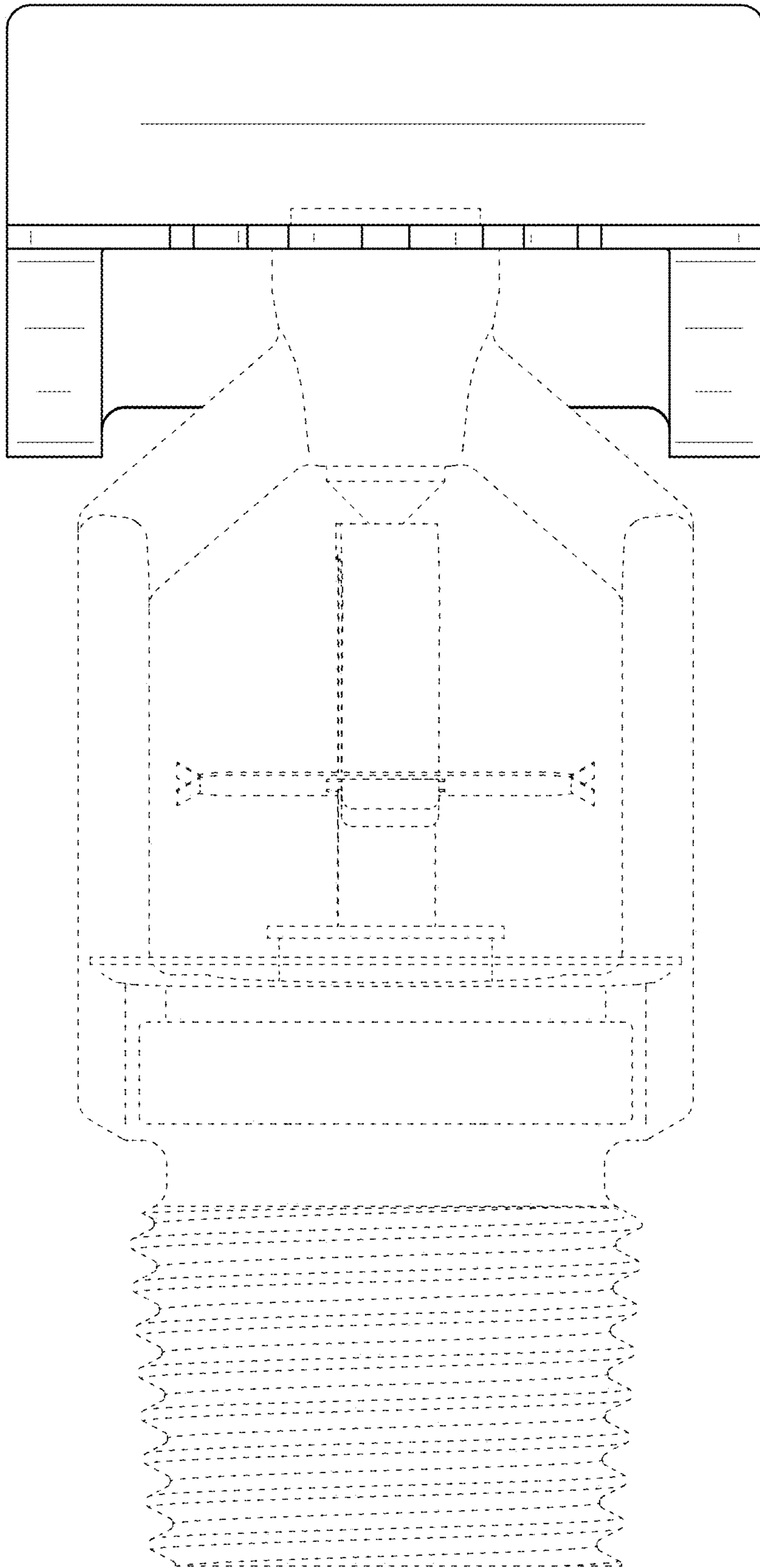


FIG. 6

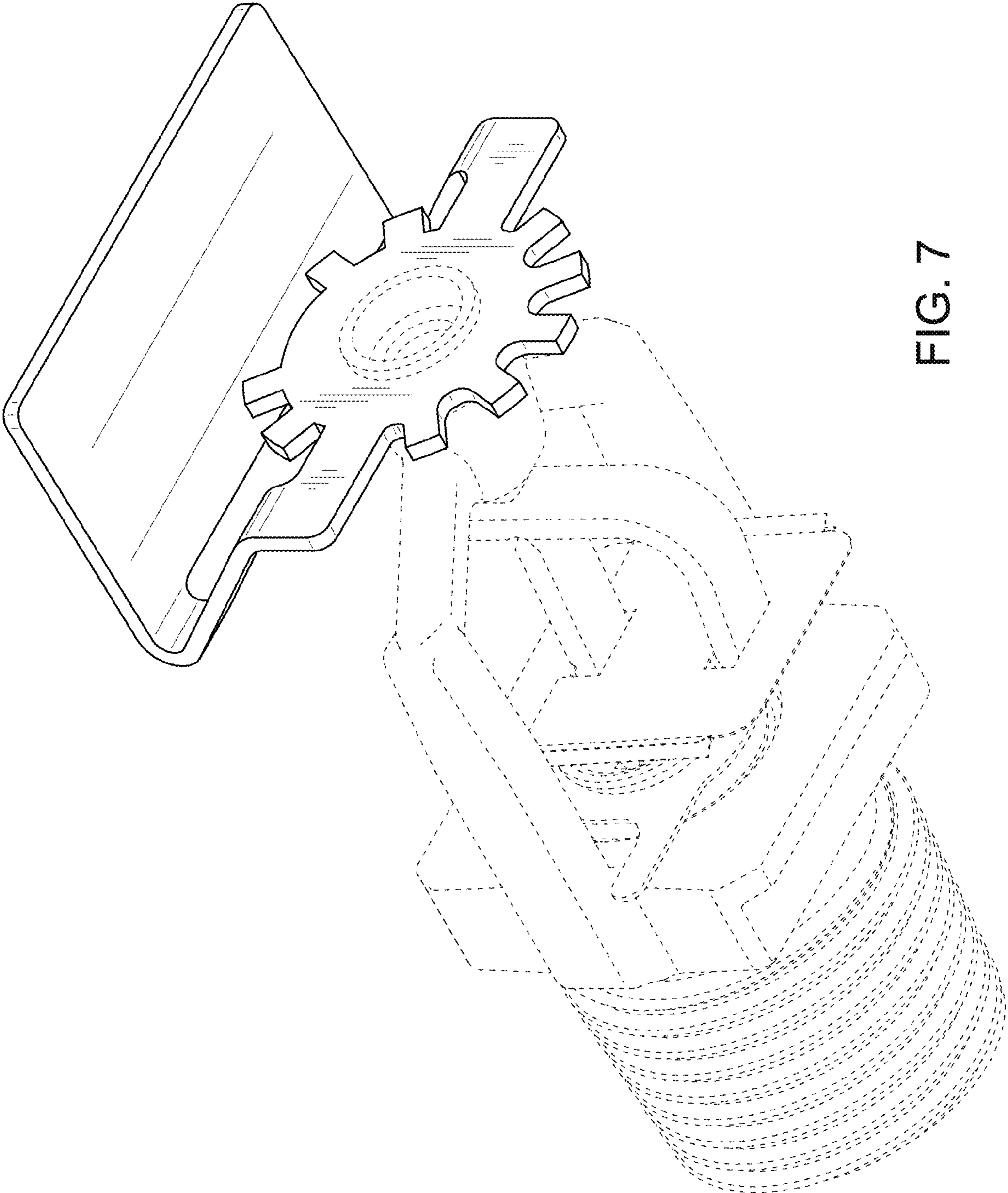


FIG. 7