



US00D886944S

(12) **United States Design Patent** (10) **Patent No.:** **US D886,944 S**  
**Harmon** (45) **Date of Patent:** **\*\* Jun. 9, 2020**

- (54) **DISCHARGE VALVE ASSEMBLY**
- (71) Applicant: **Jetech, Inc.**, Battle Creek, MI (US)
- (72) Inventor: **Jacob Harmon**, Wayland, MI (US)
- (73) Assignee: **Jetech, Inc.**, Battle Creek, MI (US)
- (\*\*) Term: **15 Years**
- (21) Appl. No.: **29/716,684**
- (22) Filed: **Dec. 11, 2019**

D620,084 S	7/2010	Talamantez
D623,264 S	9/2010	Parrott
D715,401 S	10/2014	Spraw et al.
D726,282 S	4/2015	Ivy
8,998,593 B2	4/2015	Vicars
9,188,122 B1	11/2015	Reed
D745,638 S	12/2015	Hickman
9,249,798 B2	2/2016	Ganguly et al.
9,382,905 B2	7/2016	Huang
D765,222 S	8/2016	Norris, Jr.
9,670,922 B2	6/2017	Pacht
D838,350 S	1/2019	Downs et al.
D875,882 S *	2/2020	Harmon ..... D23/213
2011/0189040 A1	8/2011	Vicars

\* cited by examiner

**Related U.S. Application Data**

- (62) Division of application No. 29/635,741, filed on Feb. 2, 2018, now Pat. No. Des. 875,882.
- (51) **LOC (12) Cl.** ..... **23-01**
- (52) **U.S. Cl.**  
USPC ..... **D23/213**
- (58) **Field of Classification Search**  
USPC ..... D23/233, 235, 237, 241, 247, 248, 249,  
D23/262; 137/223, 438, 614.03, 624.27,  
137/874, 454.4, 512, 543.23; 417/559,  
417/437, 571, 454, 567  
CPC ..... F16L 41/04; F16L 47/345; F16L 41/18;  
F16L 25/14; F16K 27/067  
See application file for complete search history.

*Primary Examiner* — Gino Colan

(74) *Attorney, Agent, or Firm* — Warner Norcross + Judd, LLP

(57) **CLAIM**

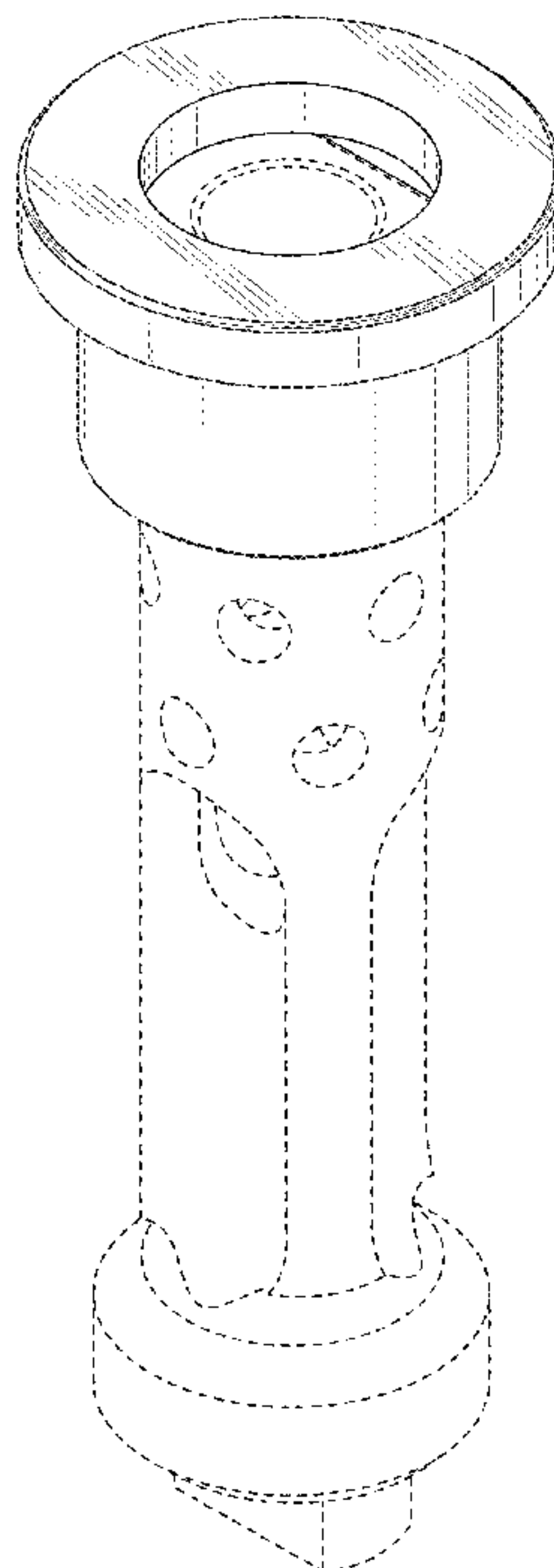
The ornamental design for a discharge valve assembly, as shown and described.

**DESCRIPTION**

FIG. 1 is a top perspective view of a discharge valve assembly showing my new design;  
 FIG. 2 is a bottom perspective view thereof;  
 FIG. 3 is a right side elevation view thereof, the left side elevation view, front elevation view and rear elevation view being a mirror image thereof;  
 FIG. 4 is a bottom view thereof; and,  
 FIG. 5 is a top plan view thereof.  
 The broken lines shown in the figures are included for the purpose of illustrating environment and form no part of the claimed design.

**1 Claim, 3 Drawing Sheets**

- (56) **References Cited**  
U.S. PATENT DOCUMENTS
- |             |         |                  |
|-------------|---------|------------------|
| 5,605,449 A | 2/1997  | Reed             |
| D435,635 S  | 12/2000 | Taneya           |
| D463,537 S  | 9/2002  | Kozu et al.      |
| D499,464 S  | 12/2004 | Caine            |
| D567,900 S  | 4/2008  | Patterson et al. |



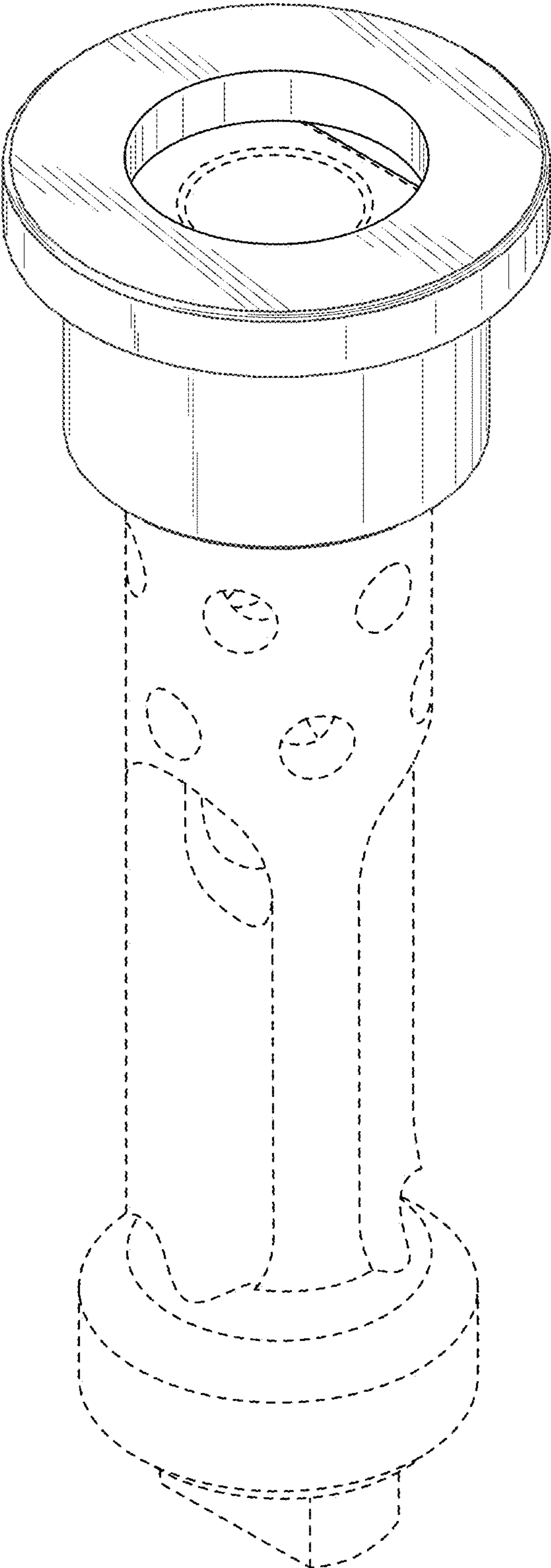


Fig. 1

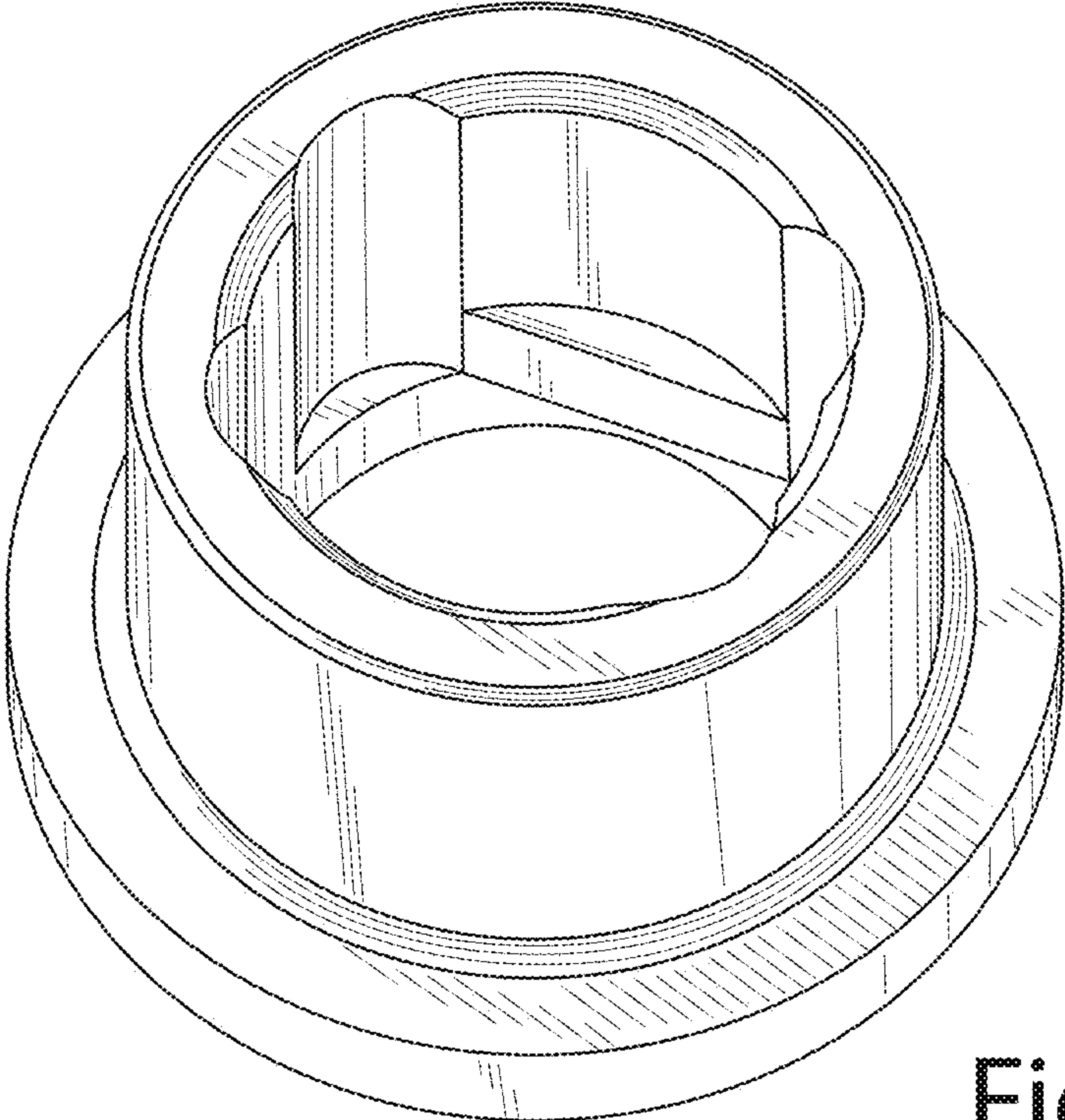


Fig. 2

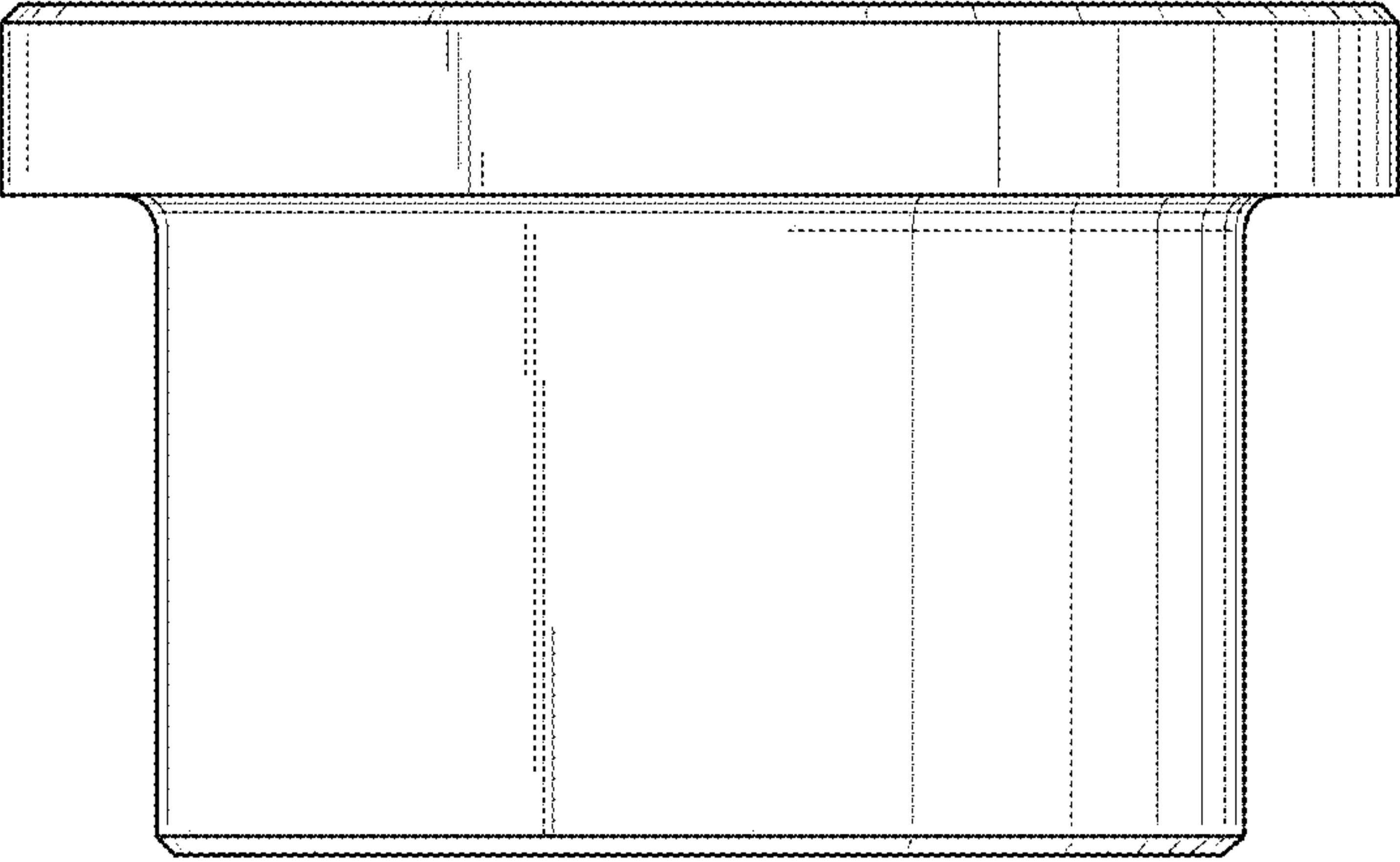


Fig. 3

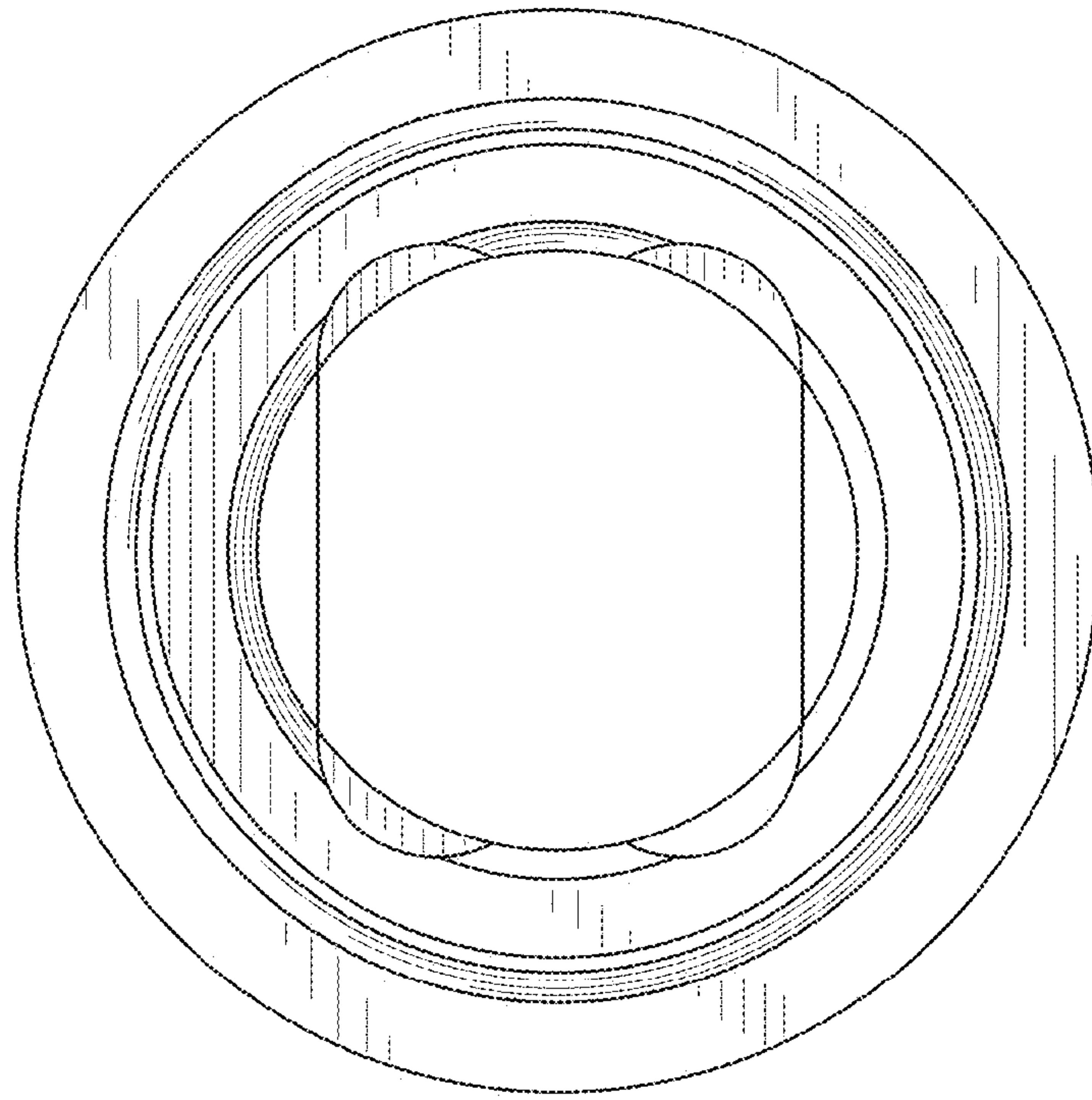


Fig. 4

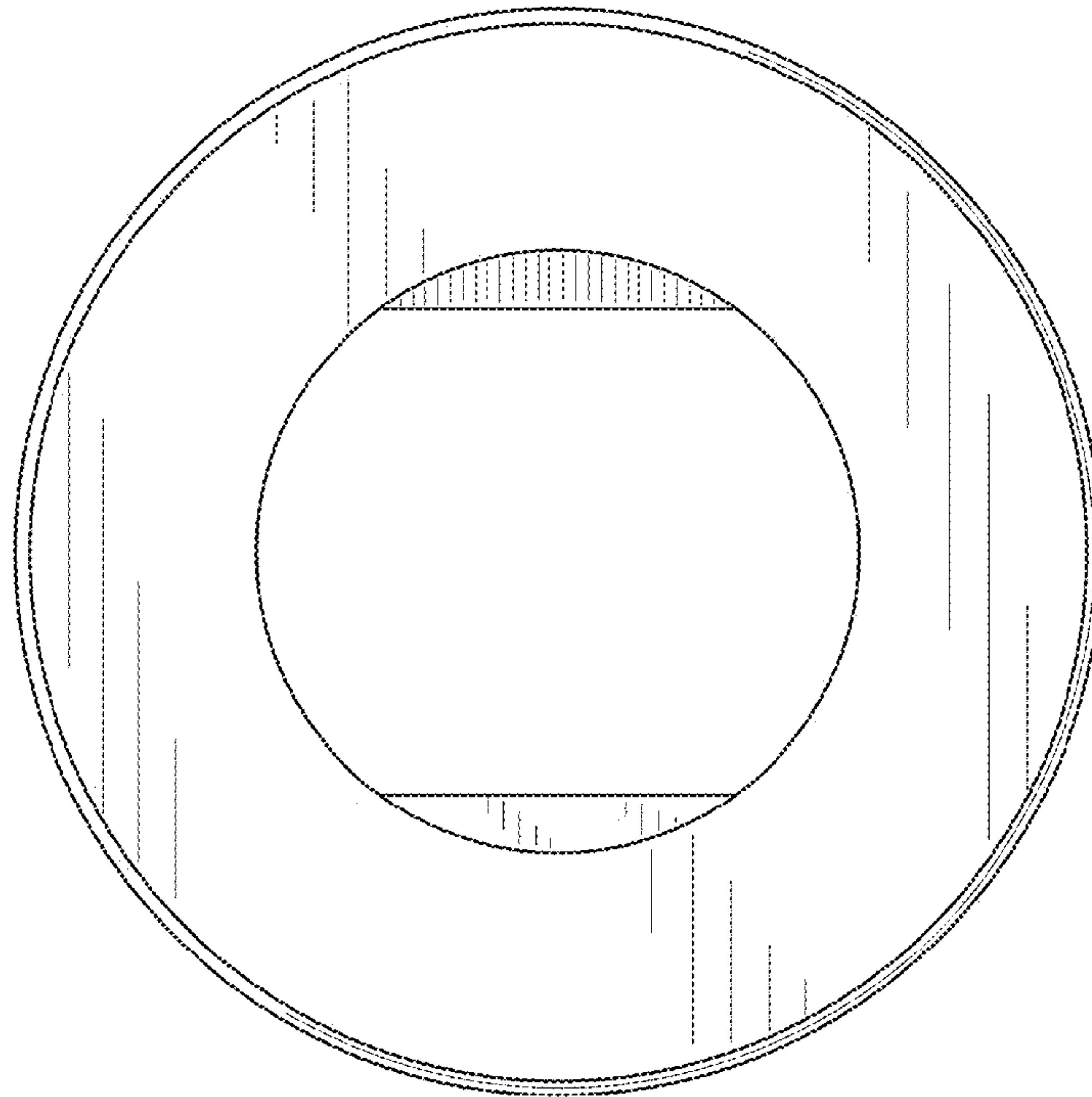


Fig. 5