



US00D886943S

(12) **United States Design Patent**
Slamans

(10) **Patent No.:** **US D886,943 S**
(45) **Date of Patent:** **** Jun. 9, 2020**

(54) **NOZZLE**
(71) Applicant: **Outdoor Trading LLC**, Sheridan, WY (US)
(72) Inventor: **Andrew Slamans**, Hershey, PA (US)
(73) Assignee: **OUTDOOR TRADING LLC**, Sheridan, WY (US)
(**) Term: **15 Years**
(21) Appl. No.: **29/685,496**

D418,590 S * 1/2000 Tracy D23/213
D439,636 S * 3/2001 Hamilton D23/213
6,435,567 B2 * 8/2002 Kikumori F16L 25/0036
285/319
D462,256 S * 9/2002 Jaynes D12/160
6,499,771 B1 * 12/2002 Snyder, Sr. F16L 37/0915
285/319
D574,931 S * 8/2008 Hughes D23/262
D595,420 S * 6/2009 Suzuki D24/227
D595,421 S * 6/2009 Suzuki D24/227
D595,863 S * 7/2009 Suzuki D24/227
D627,432 S * 11/2010 Escoto, Jr. B05B 7/066
D23/213
D638,104 S * 5/2011 Govoni D23/262
(Continued)

(22) Filed: **Mar. 28, 2019**
(51) **LOC (12) Cl.** **23-01**
(52) **U.S. Cl.**
USPC **D23/213**
(58) **Field of Classification Search**
USPC D23/213, 214, 215, 223, 224, 226, 229,
D23/230
CPC A61H 9/0021; A61H 33/00; B05B 1/00;
B05B 1/14; B05B 1/185; B05B 1/08;
B05B 1/02; B05B 1/26; B05B 12/002;
B05B 1/18; B05B 9/01
See application file for complete search history.

OTHER PUBLICATIONS

https://www.amazon.com/2wayz-Garden-Valve-Running-Experience/dp/B00R1RX4JO/ref=pd_rhf_dp_p_img_2?_encoding=UTF8&psc=1&refRID=GXNK1E5QSQM9X7F6JYT8 (Year: 2015).*

Primary Examiner — Manpreet S Matharu
Assistant Examiner — Keith J Wilson
(74) *Attorney, Agent, or Firm* — DLA Piper LLP (US)

(56) **References Cited**

U.S. PATENT DOCUMENTS

D221,651 S * 8/1971 Napper D23/259
D229,496 S * 12/1973 Hand D23/262
4,827,539 A * 5/1989 Kiziah E03D 11/16
285/303
4,899,938 A * 2/1990 Havrilla, Jr. B05B 7/0815
239/294
D319,291 S * 8/1991 Hanzel D23/212
D349,758 S * 8/1994 Hallbach D23/259
D364,916 S * 12/1995 Hallbach D23/259
5,799,364 A * 9/1998 Foisy A47L 5/24
15/338
D402,354 S * 12/1998 Strong D23/259
5,996,134 A * 12/1999 Senninger E03D 11/16
138/96 R

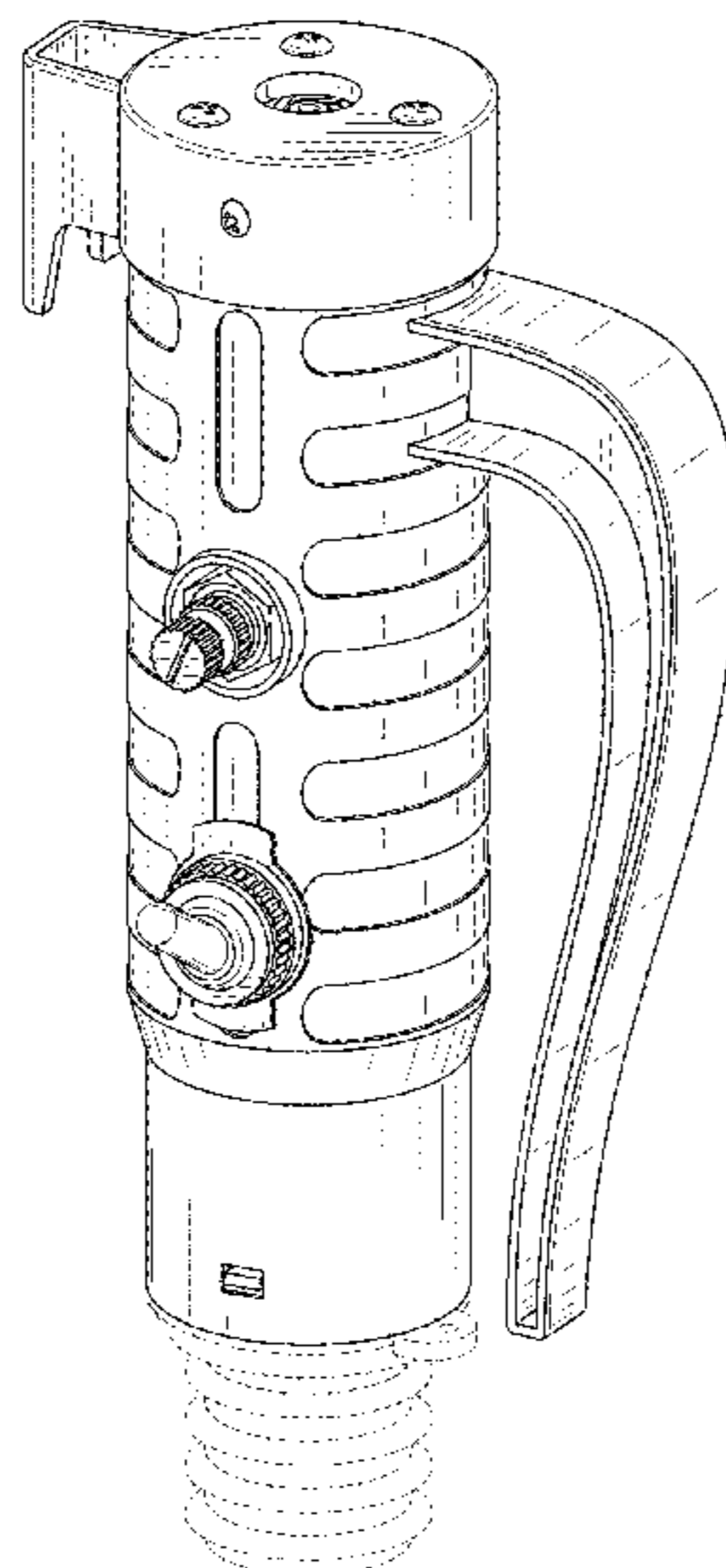
(57) **CLAIM**

The ornamental design for nozzle, as shown and described.

DESCRIPTION

FIG. 1 is a perspective view of the nozzle showing my new design;
FIG. 2 is a front side view of the nozzle;
FIG. 3 is a back side view of the nozzle;
FIG. 4 is a left side view of the nozzle;
FIG. 5 is a right view of the nozzle;
FIG. 6 is a top view of the nozzle; and,
FIG. 7 is a bottom view of the nozzle.
The broken lines shown represent portions of a nozzle and form no part of the claimed design.

1 Claim, 6 Drawing Sheets



(56)

References Cited

U.S. PATENT DOCUMENTS

D646,762 S * 10/2011 Terry D23/259
 D670,786 S * 11/2012 Mauchle D23/213
 8,474,878 B2 * 7/2013 Richter F16B 2/246
 285/319
 D689,590 S * 9/2013 Brose D23/213
 D704,312 S * 5/2014 Kuo D23/259
 D717,405 S * 11/2014 Coronado D23/259
 D717,406 S * 11/2014 Stanley D23/259
 8,910,677 B1 * 12/2014 Carpenter B60K 15/04
 141/312
 D737,410 S * 8/2015 Wyne D23/259
 D738,470 S * 9/2015 Eaton F16L 21/08
 D23/259
 D782,621 S * 3/2017 Smith D23/259
 D784,495 S * 4/2017 Pearson D23/249
 9,623,594 B2 * 4/2017 French F16L 21/03
 D806,833 S * 1/2018 Pearson D23/249
 D813,355 S * 3/2018 Weatherby D23/259
 D815,516 S * 4/2018 Karmarkar D8/382
 D816,811 S * 5/2018 Dagdelen D23/259
 D823,443 S * 7/2018 Bancroft D23/262
 D830,522 S * 10/2018 Di Liberto D23/259
 D833,581 S * 11/2018 Atwell D23/259
 D835,756 S * 12/2018 Auxter D23/249
 D836,755 S * 12/2018 Dale D23/259
 D844,113 S * 3/2019 Auxter D23/249
 D847,309 S * 4/2019 Sugatani D23/259
 D849,890 S * 5/2019 Tempel D23/233
 D851,220 S * 6/2019 Thompson D23/259
 D851,738 S * 6/2019 Ghorbani D23/259
 D852,934 S * 7/2019 Habres D23/259
 D855,781 S * 8/2019 Delancey D23/259

D857,179 S * 8/2019 Thompson D23/259
 D859,604 S * 9/2019 Dagdelen D23/259
 D861,054 S * 9/2019 Avila D15/199
 D865,919 S * 11/2019 Lippka D23/262
 D868,112 S * 11/2019 Tsuji D15/5
 2003/0062428 A1 * 4/2003 Baasch F02M 25/00
 239/407
 2004/0080160 A1 * 4/2004 Rief E04H 4/1654
 285/276
 2006/0006651 A1 * 1/2006 Watanabe F16L 25/0036
 285/247
 2007/0228727 A1 * 10/2007 Matsuno F16L 37/0985
 285/305
 2012/0325335 A1 * 12/2012 Schalkx F16L 37/2445
 137/315.01
 2014/0327238 A1 * 11/2014 Bowman F16L 21/08
 285/112
 2014/0338773 A1 * 11/2014 French F16L 37/1225
 138/109
 2015/0060577 A1 * 3/2015 Kosovich B05B 13/0627
 239/587.1
 2015/0176728 A1 * 6/2015 Bowman F16L 21/065
 285/309
 2015/0353340 A1 * 12/2015 Gammon B64D 37/00
 141/1
 2017/0328500 A1 * 11/2017 Bowman F16L 17/04
 2017/0328505 A1 * 11/2017 Sith F16L 37/0915
 2017/0334705 A1 * 11/2017 Murugo Perez B67D 7/06
 2018/0156362 A1 * 6/2018 Takeda B25B 27/10
 2018/0163905 A1 * 6/2018 Ohnemus F16L 21/005
 2018/0209567 A1 * 7/2018 Brandt F16L 17/04
 2018/0304179 A1 * 10/2018 Auxter B01D 27/06
 2018/0326449 A1 * 11/2018 Dale B05C 17/00513

* cited by examiner

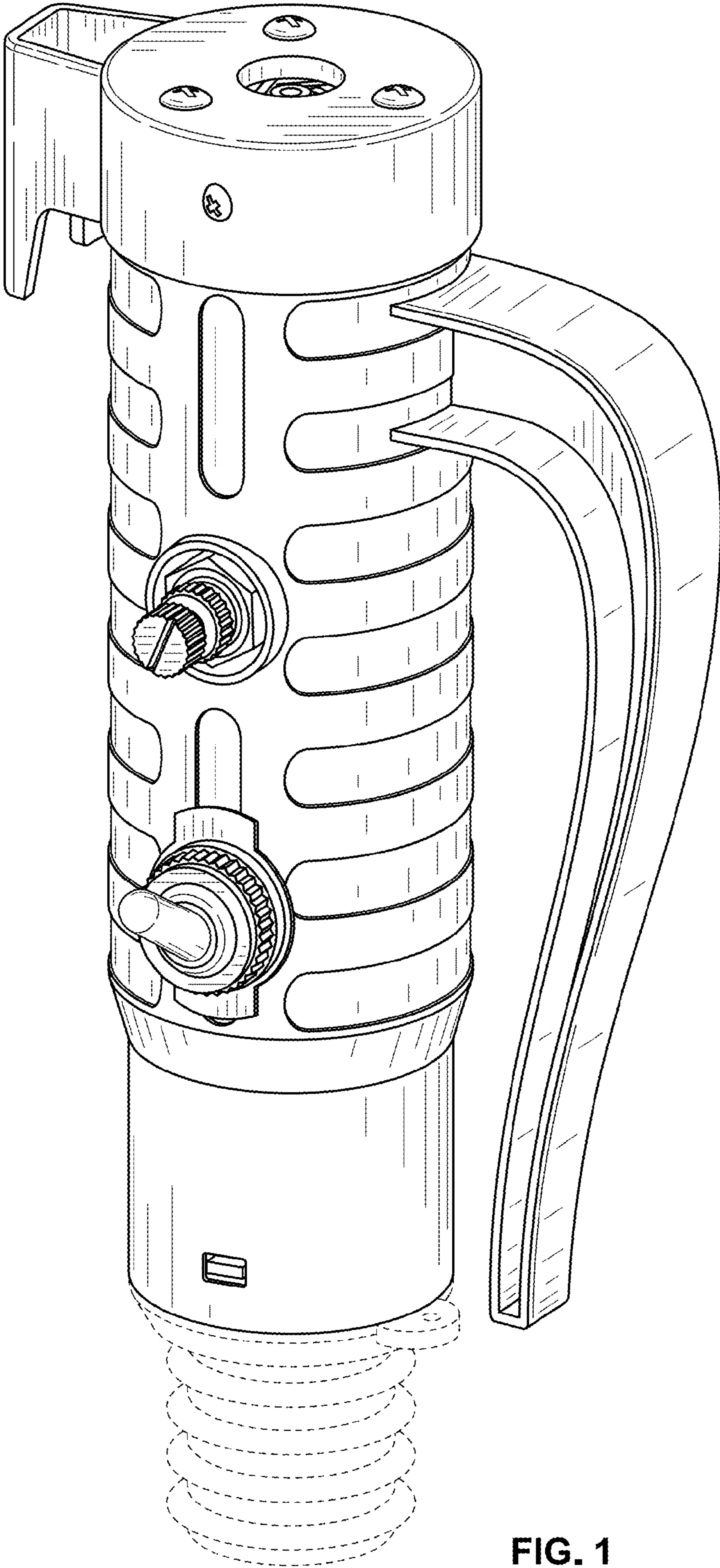


FIG. 1

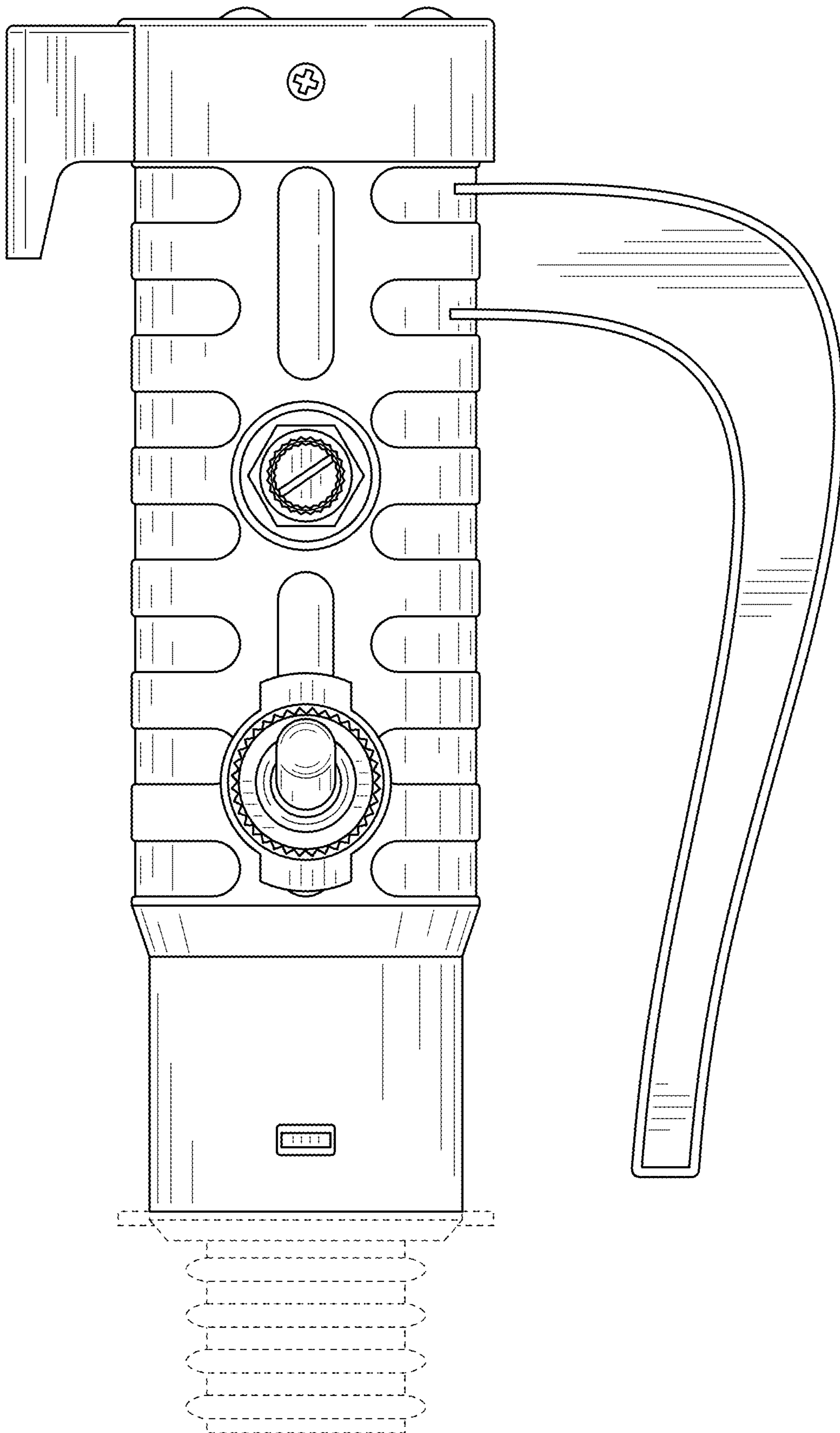


FIG. 2

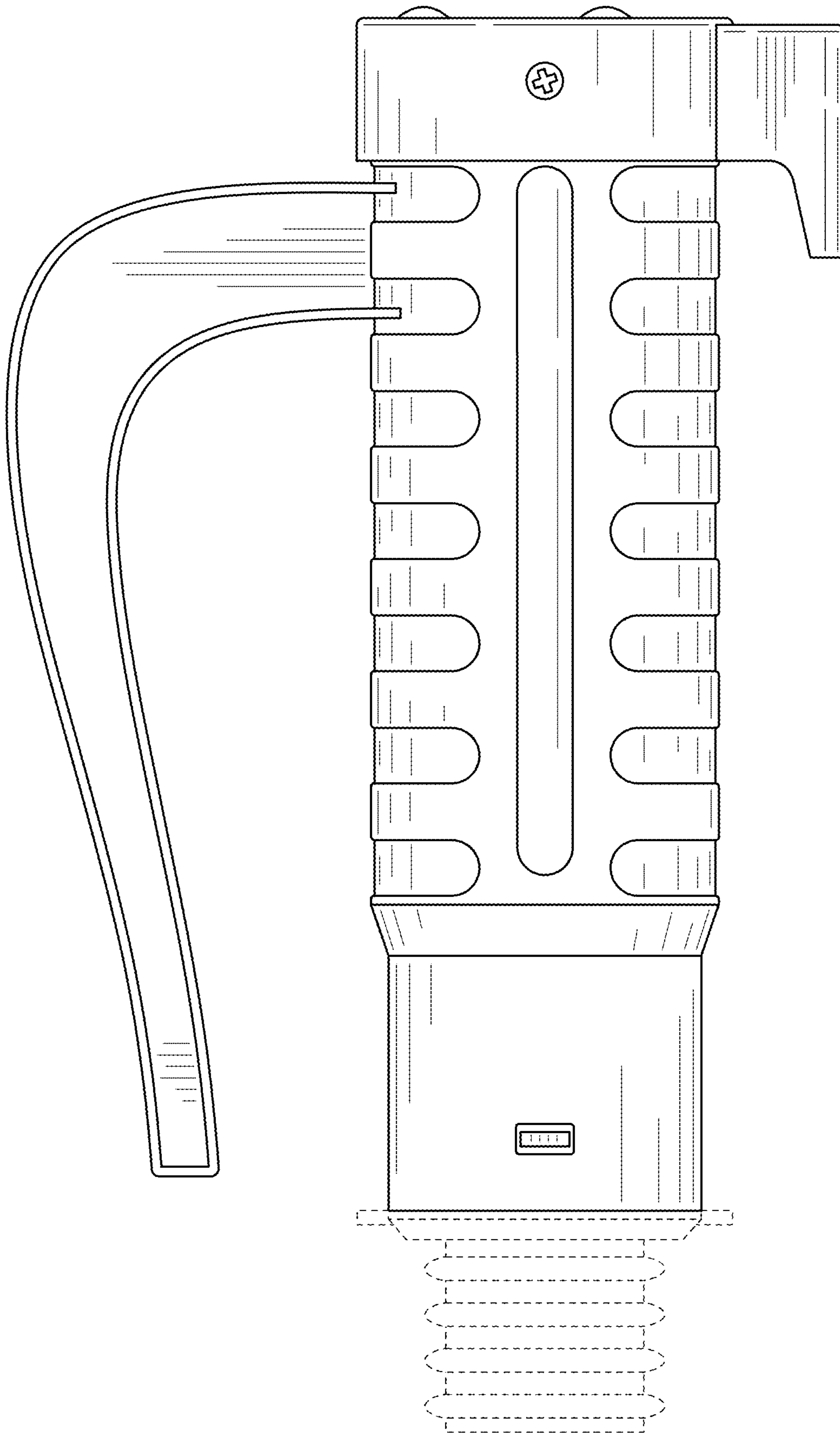


FIG. 3

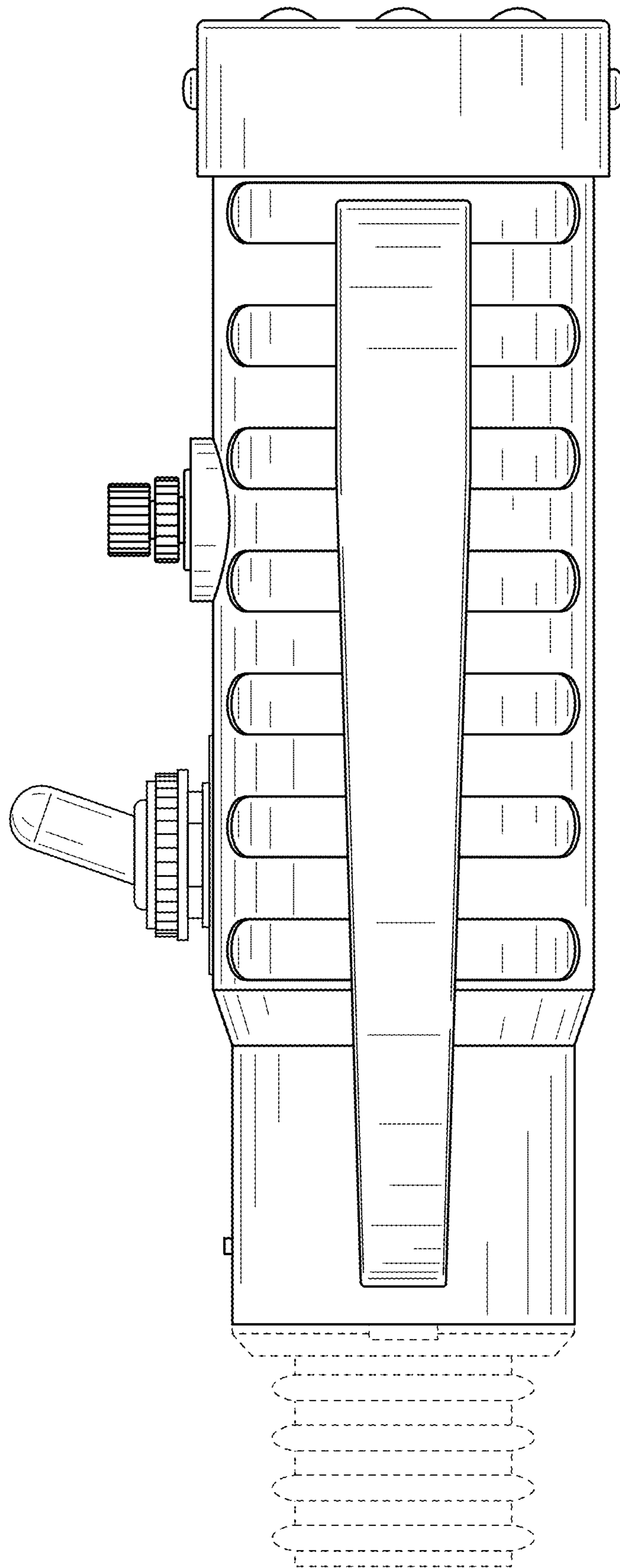


FIG. 4

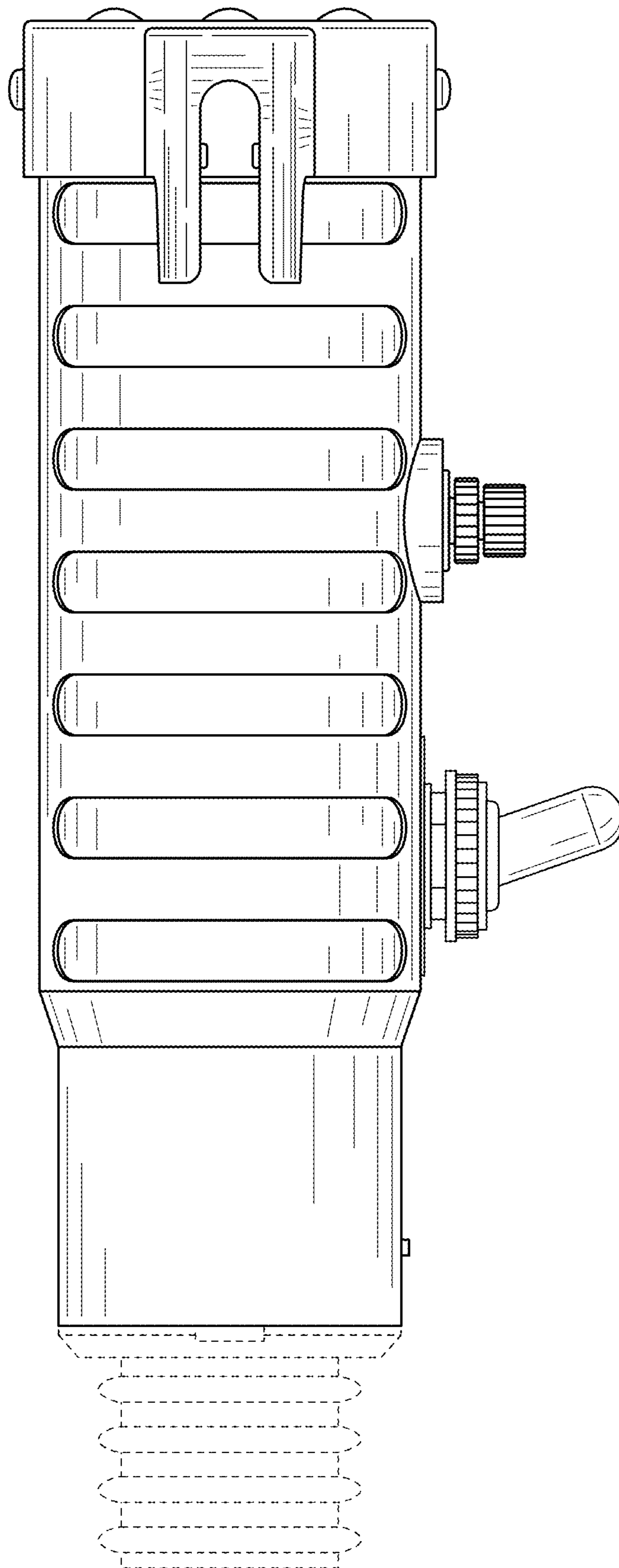


FIG. 5

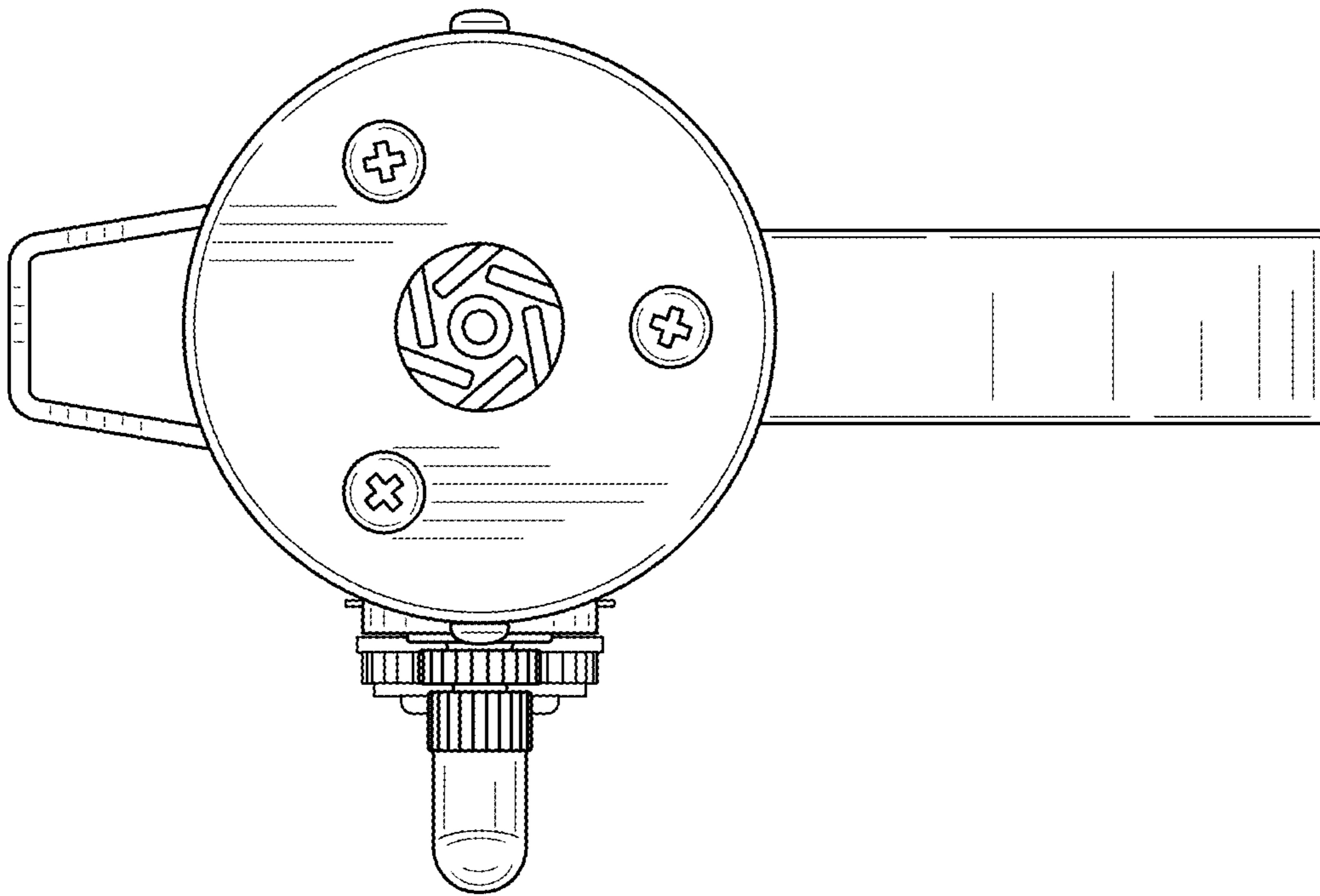


FIG. 6

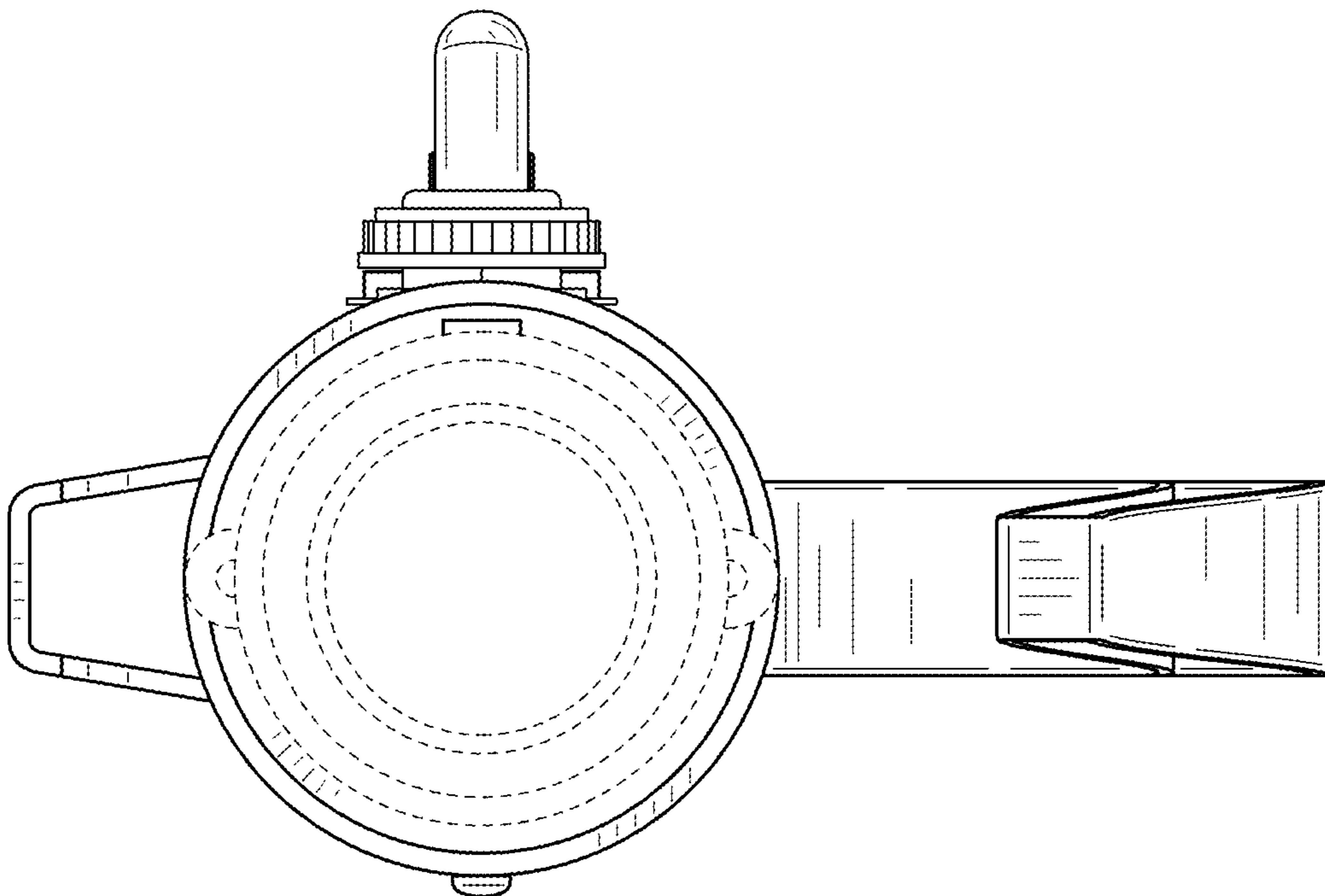


FIG. 7