



US00D886942S

(12) **United States Design Patent**  
**Nguyen-DeMary**

(10) **Patent No.:** **US D886,942 S**  
(45) **Date of Patent:** **\*\* Jun. 9, 2020**

(54) **MICRO-TITRATION VESSEL**

(71) Applicant: **Merck Sharp & Dohme Corp.**,  
Rahway, NJ (US)

(72) Inventor: **Tinh Nguyen-DeMary**, Milltown, NJ  
(US)

(73) Assignee: **Merck Sharp & Dohme Corp.**,  
Rahway, NJ (US)

(\*\*) Term: **15 Years**

(21) Appl. No.: **29/642,610**

(22) Filed: **Mar. 30, 2018**

(51) **LOC (12) Cl.** ..... **23-01**

(52) **U.S. Cl.**  
USPC ..... **D23/209**

(58) **Field of Classification Search**  
USPC ..... D23/202, 205, 207, 209, 235, 249, 259,  
D23/262, 313; D24/216, 224; D9/500,  
D9/502, 516; D7/302, 354, 396.1, 608  
CPC ..... B05B 7/0425; E03C 1/08; E03C 1/084;  
E03C 1/086; E03C 2001/026  
See application file for complete search history.

(56) **References Cited**

**U.S. PATENT DOCUMENTS**

D320,640 S	*	10/1991	Goodwin	.....	D23/209
D380,535 S	*	7/1997	Joergensen	.....	D23/209
D385,330 S	*	10/1997	Edman	.....	D23/209
D388,154 S	*	12/1997	Pesa	.....	D23/209
D458,341 S	*	6/2002	Pratt	.....	D23/209

(Continued)

**OTHER PUBLICATIONS**

Titration Beakers, Overview, Mettler Toledo, undated, 3 pages  
[Online] [Retrieved on May 4, 2018] Retrieved from the  
Internet<URL:https://www.mt.com/au/en/home/products/Laboratory\_  
Analytics\_Browse/Product\_Family\_Browse\_titrators\_main/Family\_  
Browse\_Titration\_Acc\_main/Product\_Family\_Titration\_other\_acc/  
Titration\_Beakers\_1.html>.

(Continued)

*Primary Examiner* — Manpreet S Matharu

*Assistant Examiner* — Keith J Wilson

(74) *Attorney, Agent, or Firm* — Fenwick & West LLP

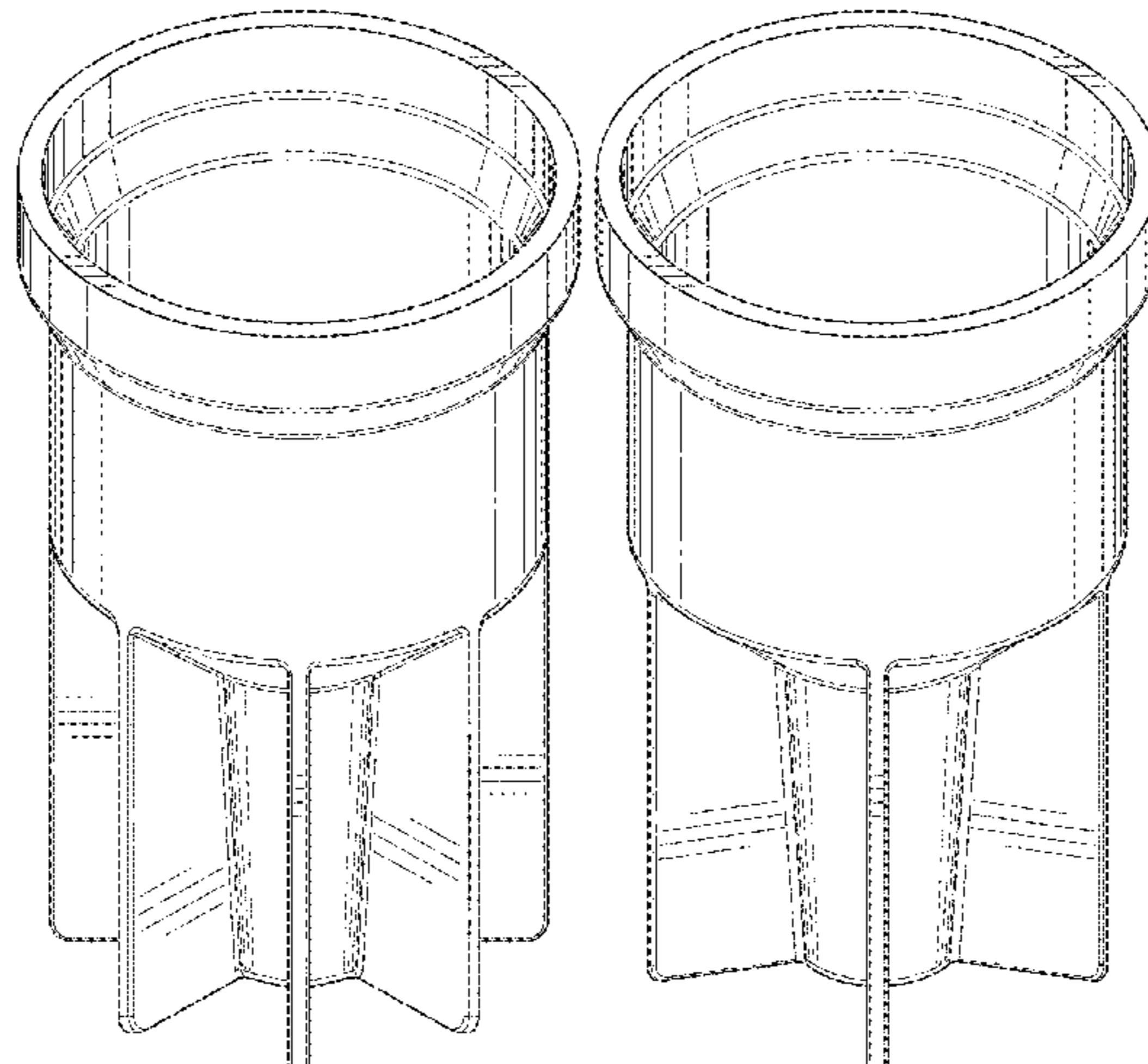
(57) **CLAIM**

The ornamental design for a micro-titration vessel, as shown  
and described.

**DESCRIPTION**

FIG. 1 is a front and right perspective view of a first  
embodiment of a micro-titration vessel;  
FIG. 2 is a front view thereof;  
FIG. 3 is a rear view thereof;  
FIG. 4 is a left view thereof;  
FIG. 5 is a right view thereof;  
FIG. 6 is a top view thereof;  
FIG. 7 is a bottom view thereof;  
FIG. 8 is a cross-sectional view thereof taken along the lines  
**8-8** of FIG. 2;  
FIG. 9 is a front and right perspective view of a second  
embodiment of a micro-titration vessel;  
FIG. 10 is a front view thereof;  
FIG. 11 is a rear view thereof;  
FIG. 12 is a left view thereof;  
FIG. 13 is a right view thereof;  
FIG. 14 is a top view thereof;  
FIG. 15 is a bottom view thereof;  
FIG. 16 is a cross-sectional view thereof taken along the  
lines **16-16** of FIG. 10;  
FIG. 17 is a front and right perspective view of a third  
embodiment of a micro-titration vessel;  
FIG. 18 is a front view thereof;  
FIG. 19 is a rear view thereof;  
FIG. 20 is a left view thereof;  
FIG. 21 is a right view thereof;  
FIG. 22 is a top view thereof;  
FIG. 23 is a bottom view thereof; and,  
FIG. 24 is a cross-sectional view thereof taken along the  
lines **23-23** of FIG. 18.

**1 Claim, 24 Drawing Sheets**



(56)

**References Cited**

U.S. PATENT DOCUMENTS

6,638,426 B1 \* 10/2003 Fritter ..... B01D 36/001  
210/266  
D529,127 S \* 9/2006 Cueman ..... D23/209  
D614,259 S \* 4/2010 Reid ..... D23/209  
D648,822 S \* 11/2011 Salvador ..... D23/209  
D655,376 S \* 3/2012 Salvador ..... D23/209  
D685,449 S \* 7/2013 Patera ..... D23/209  
D735,292 S \* 7/2015 Johnson ..... D23/207  
D752,177 S \* 3/2016 Enomoto ..... D23/207  
D792,224 S \* 7/2017 Lec tre ..... D9/516  
D820,383 S \* 6/2018 Okazaki ..... D23/207  
D820,385 S \* 6/2018 Bell ..... D23/209  
D846,069 S \* 4/2019 Zou ..... D23/209  
D855,420 S \* 8/2019 Dubiel ..... D8/1  
10,369,571 B1 \* 8/2019 Nguyen-DeMary ..... B01L 3/52  
2003/0213312 A1 11/2003 DeYoung et al.  
2010/0297707 A1 11/2010 Lee et al.

OTHER PUBLICATIONS

Cup, Thomas Scientific, 2018, 10 pages, [Online] [Retrieved on May 4, 2018] Retrieved from the Internet<URL:https://www.thomasci.com/scientific-supplies/Cup>.

\* cited by examiner

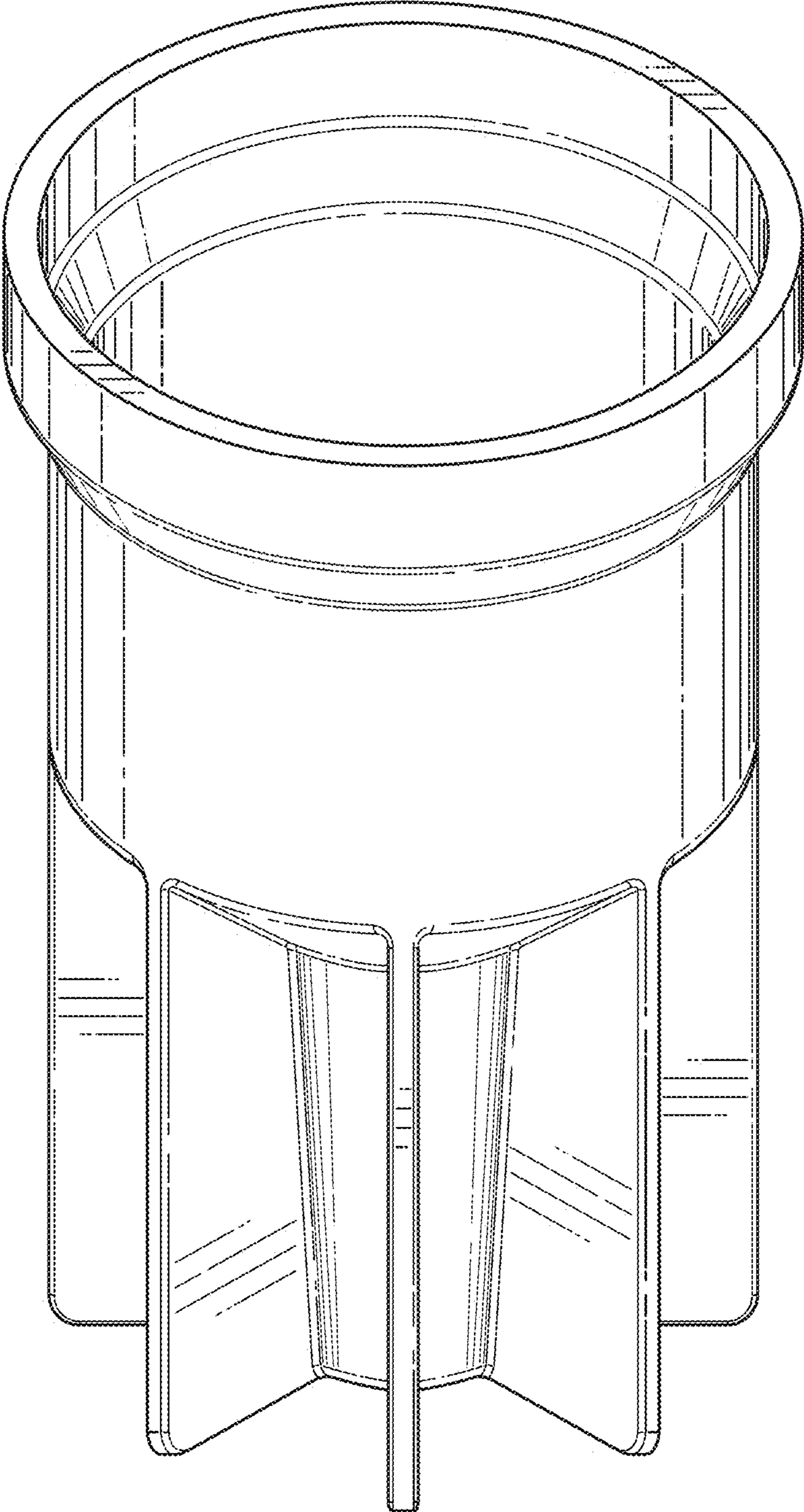


FIG. 1



FIG. 8 ←

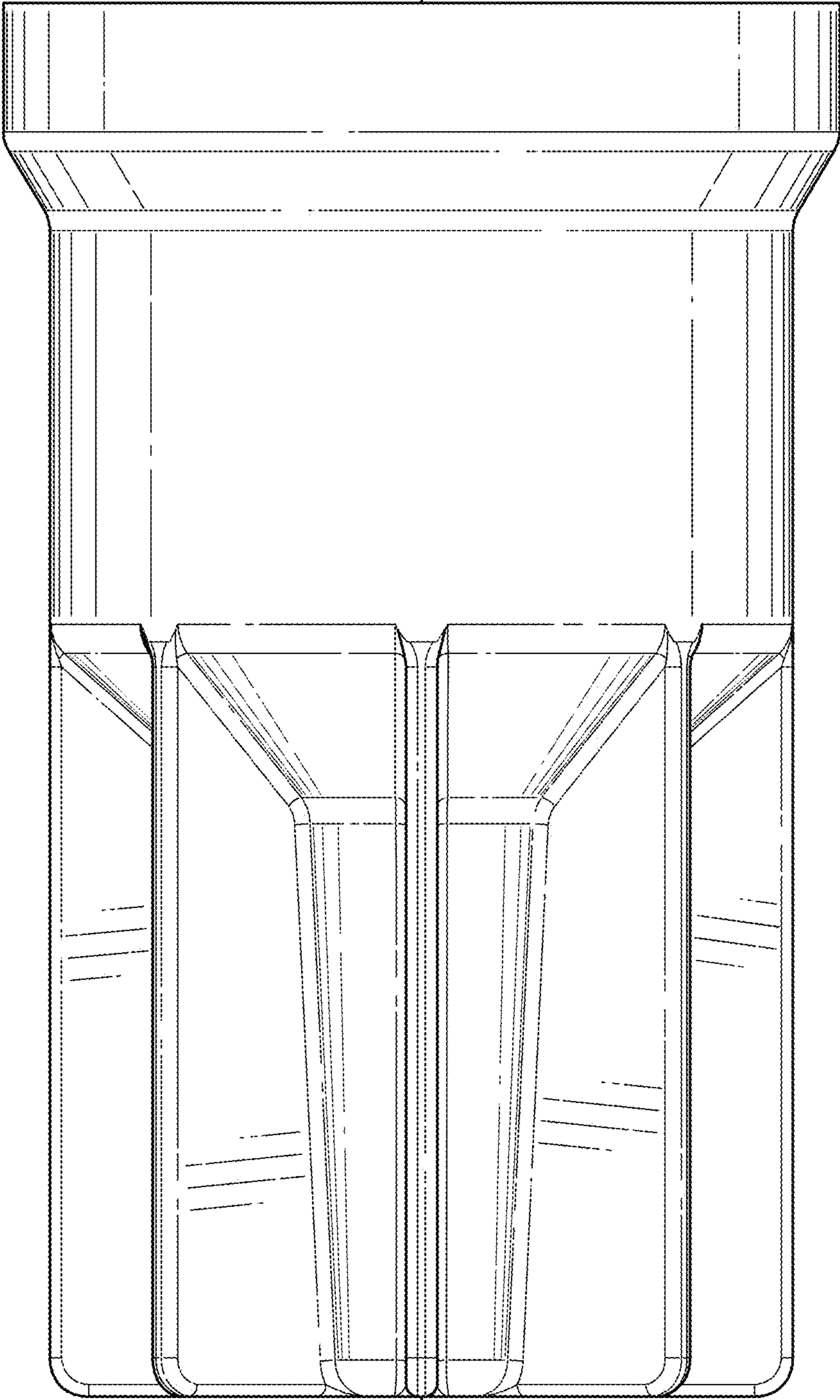


FIG. 8 ←

FIG. 2

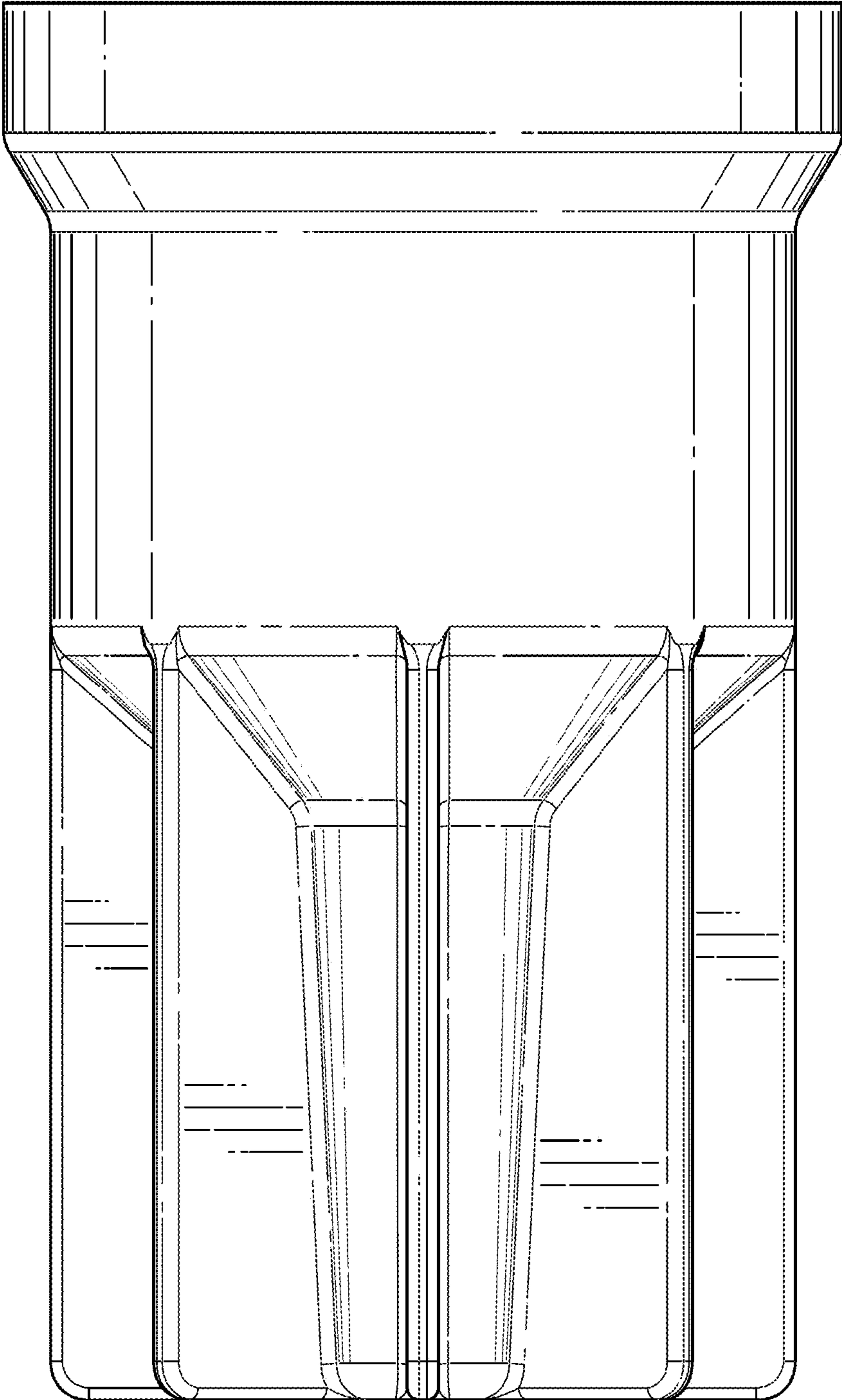


FIG. 3

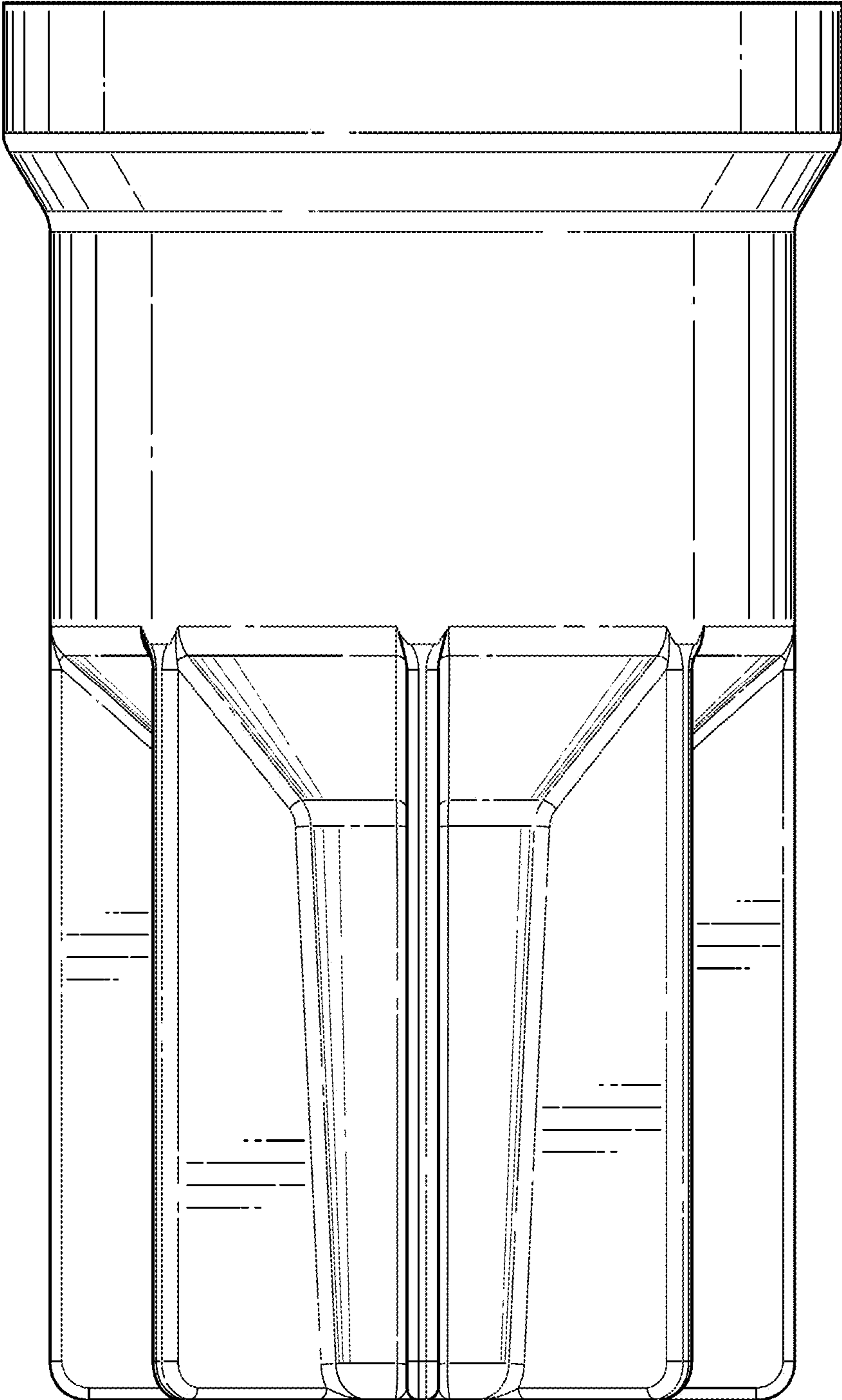


FIG. 4

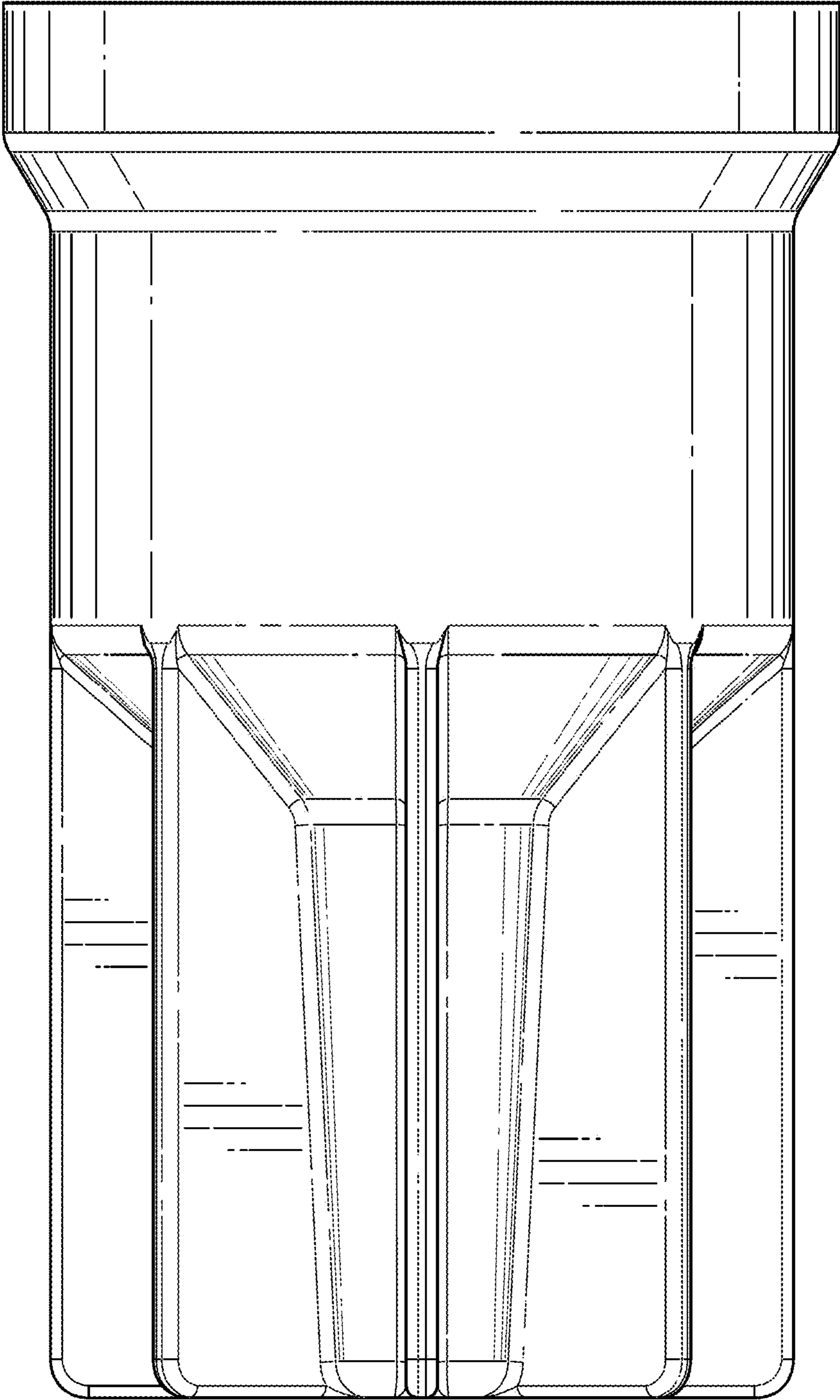


FIG. 5

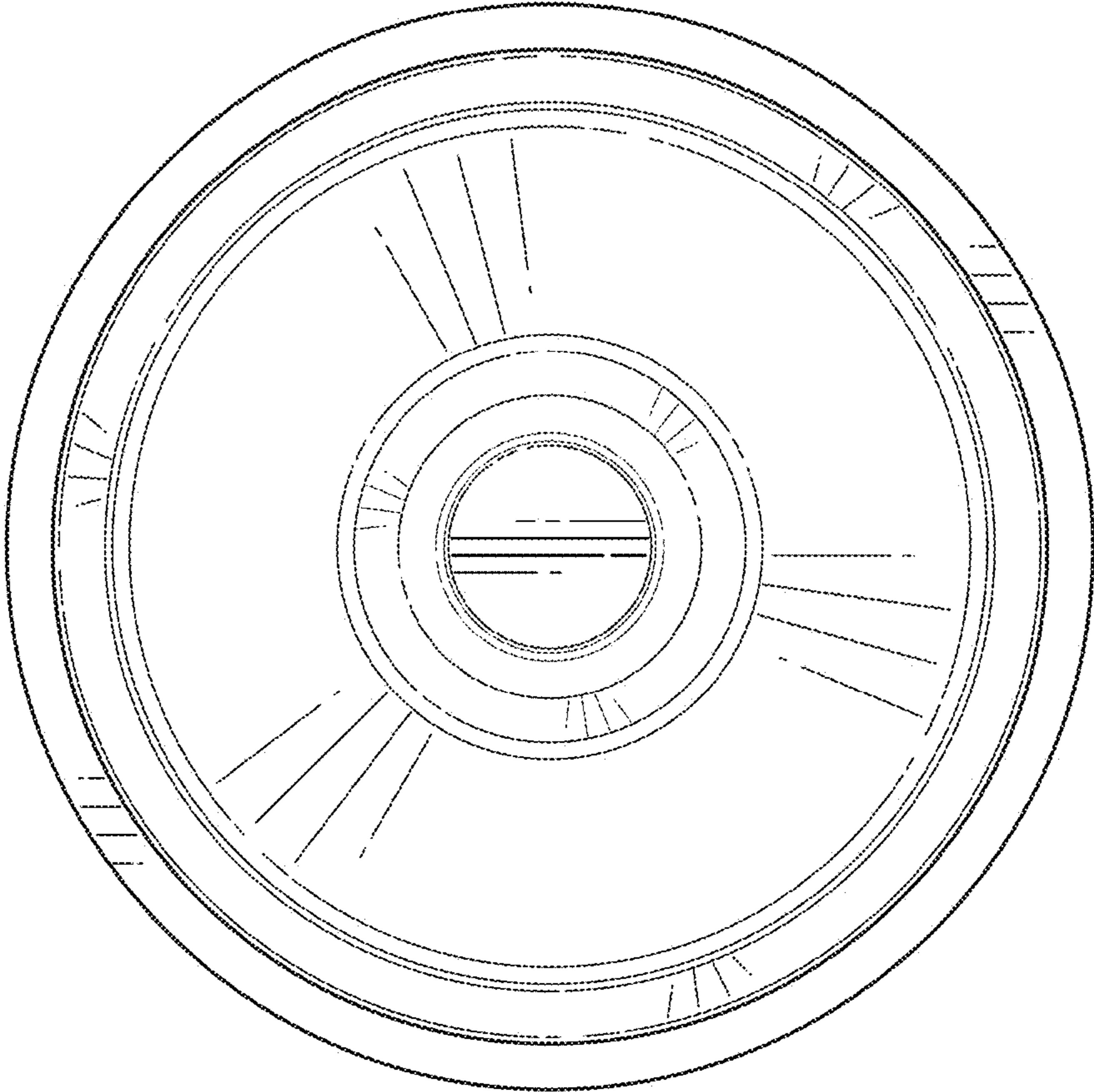


FIG. 6



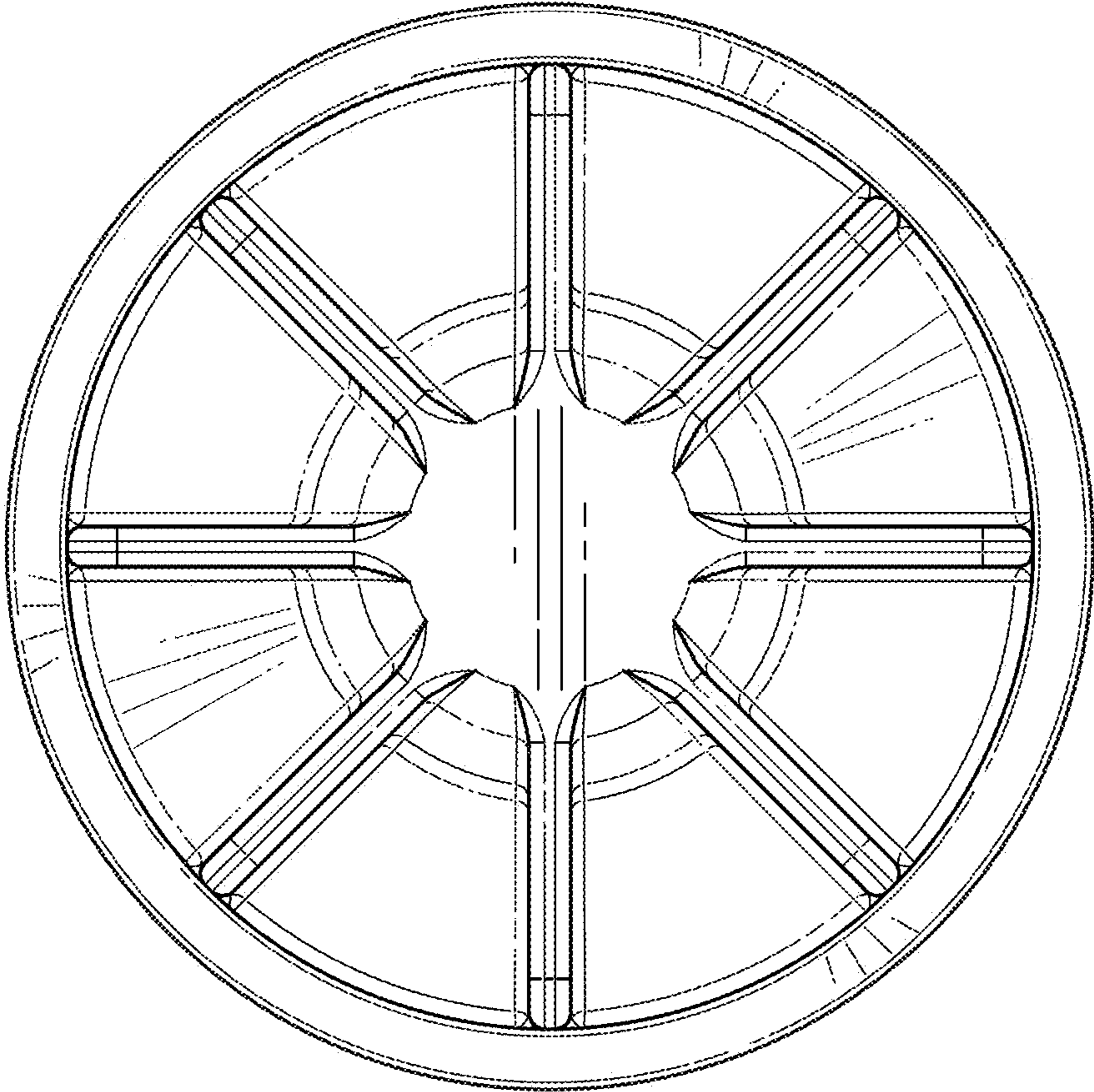


FIG. 7

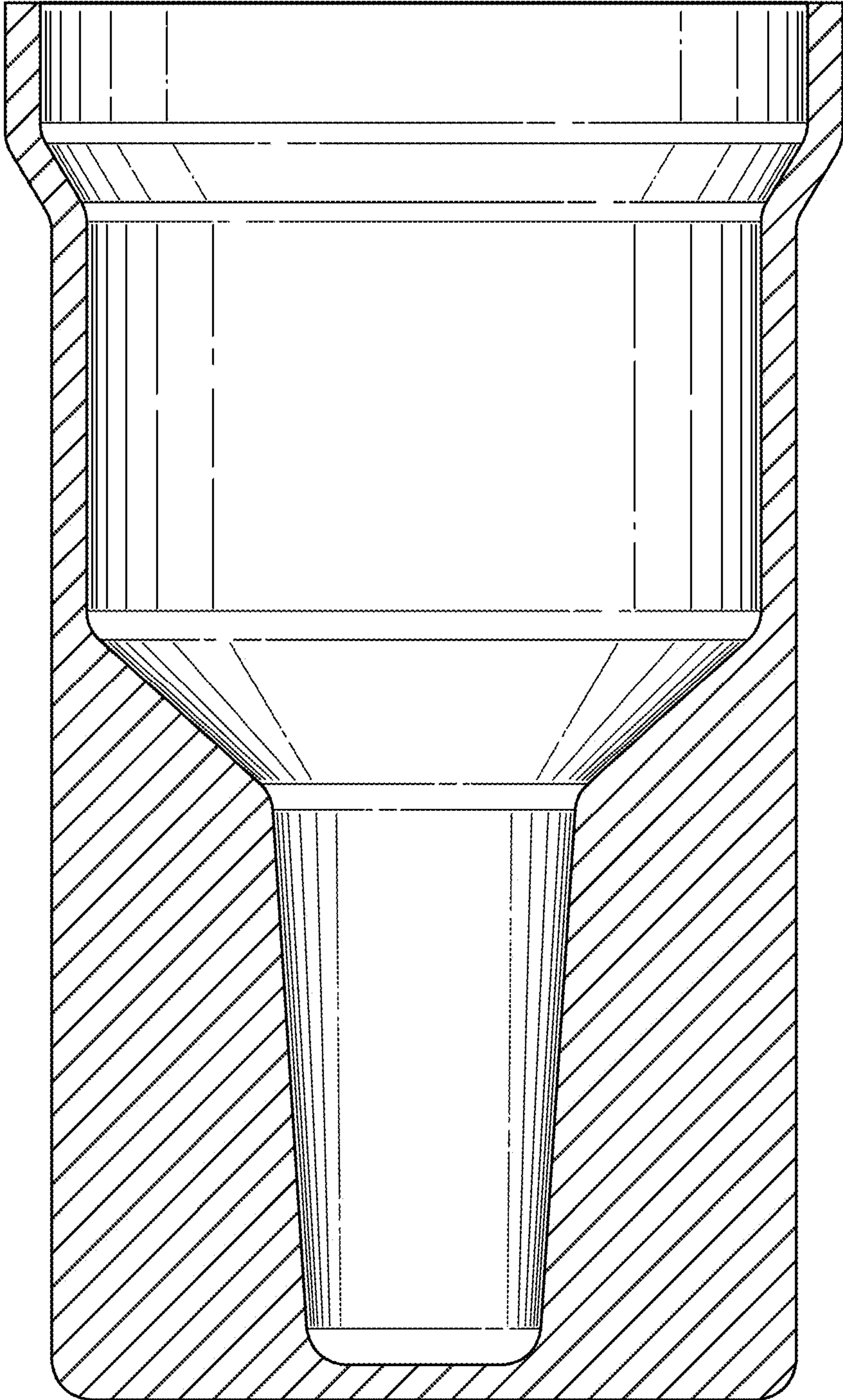


FIG. 8

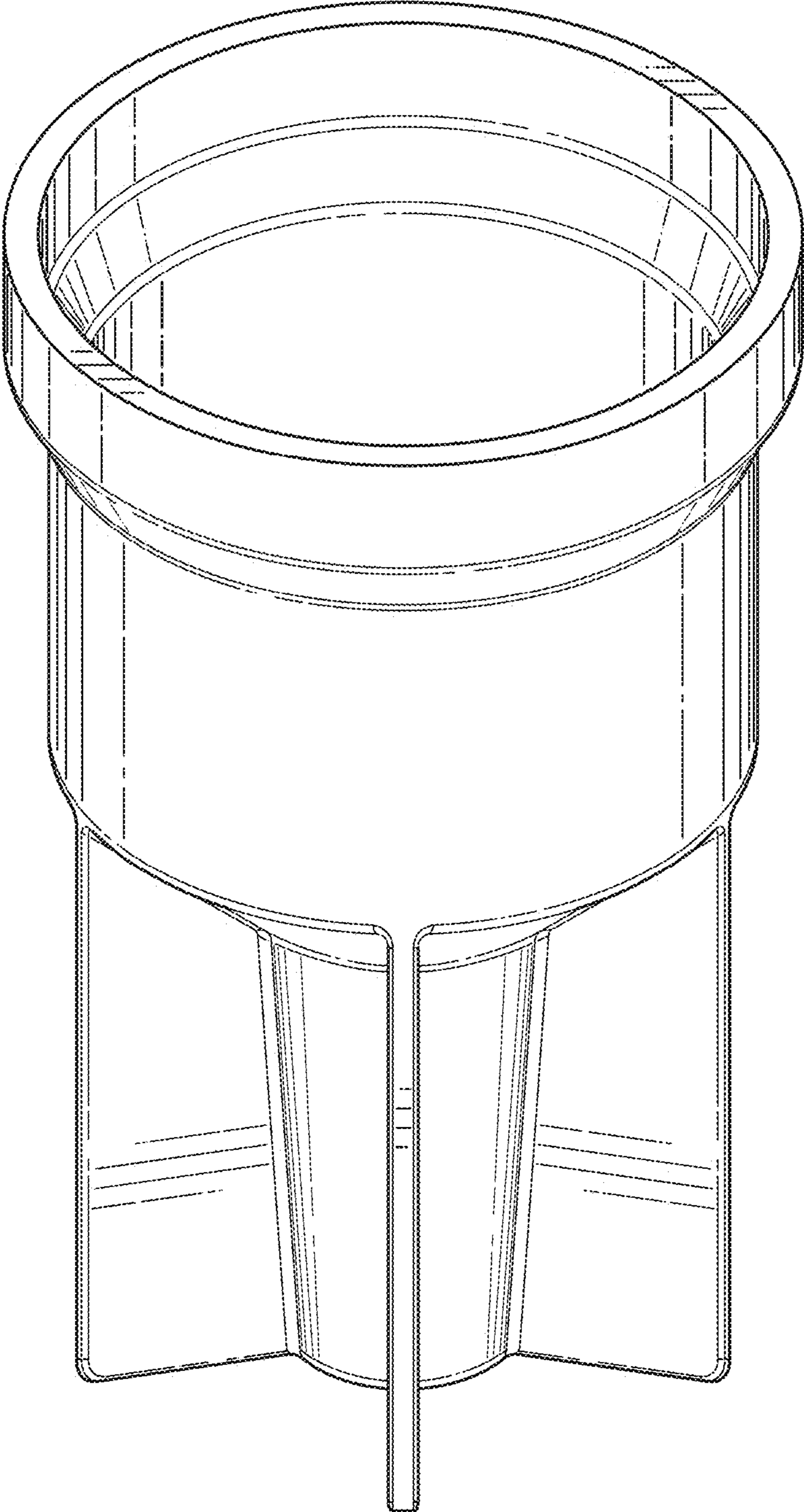


FIG. 9

FIG. 16 ←

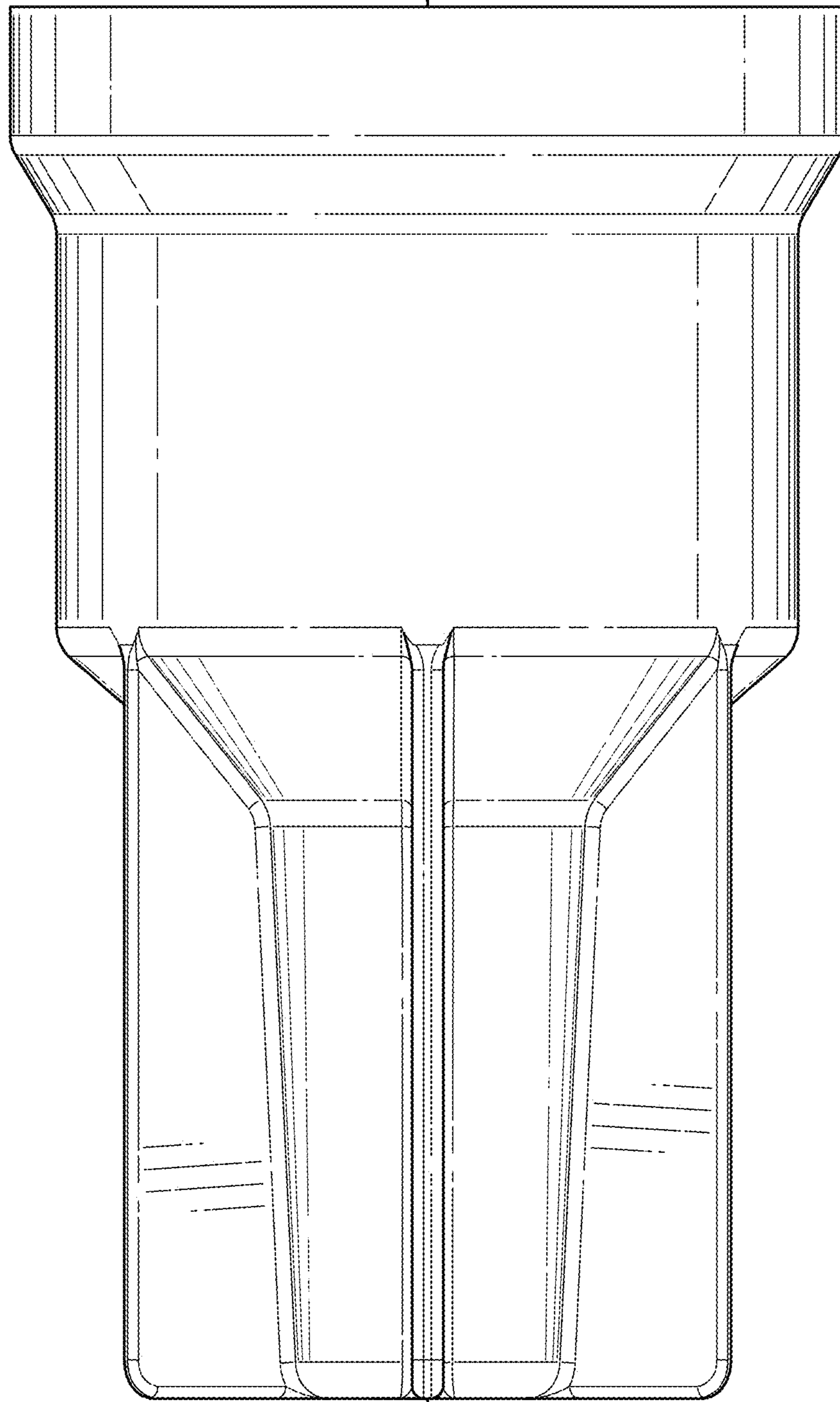


FIG. 16 ←

FIG. 10



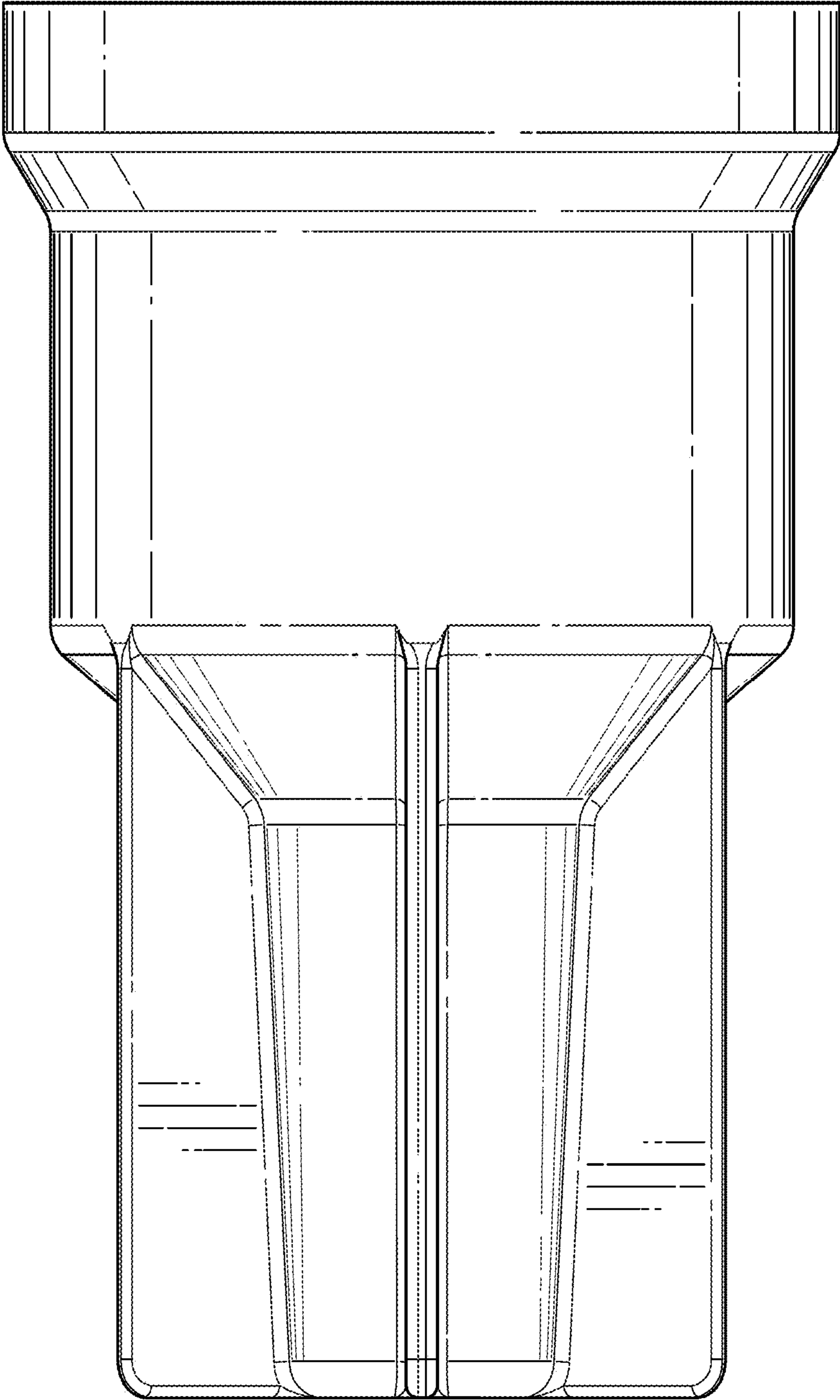


FIG. 11

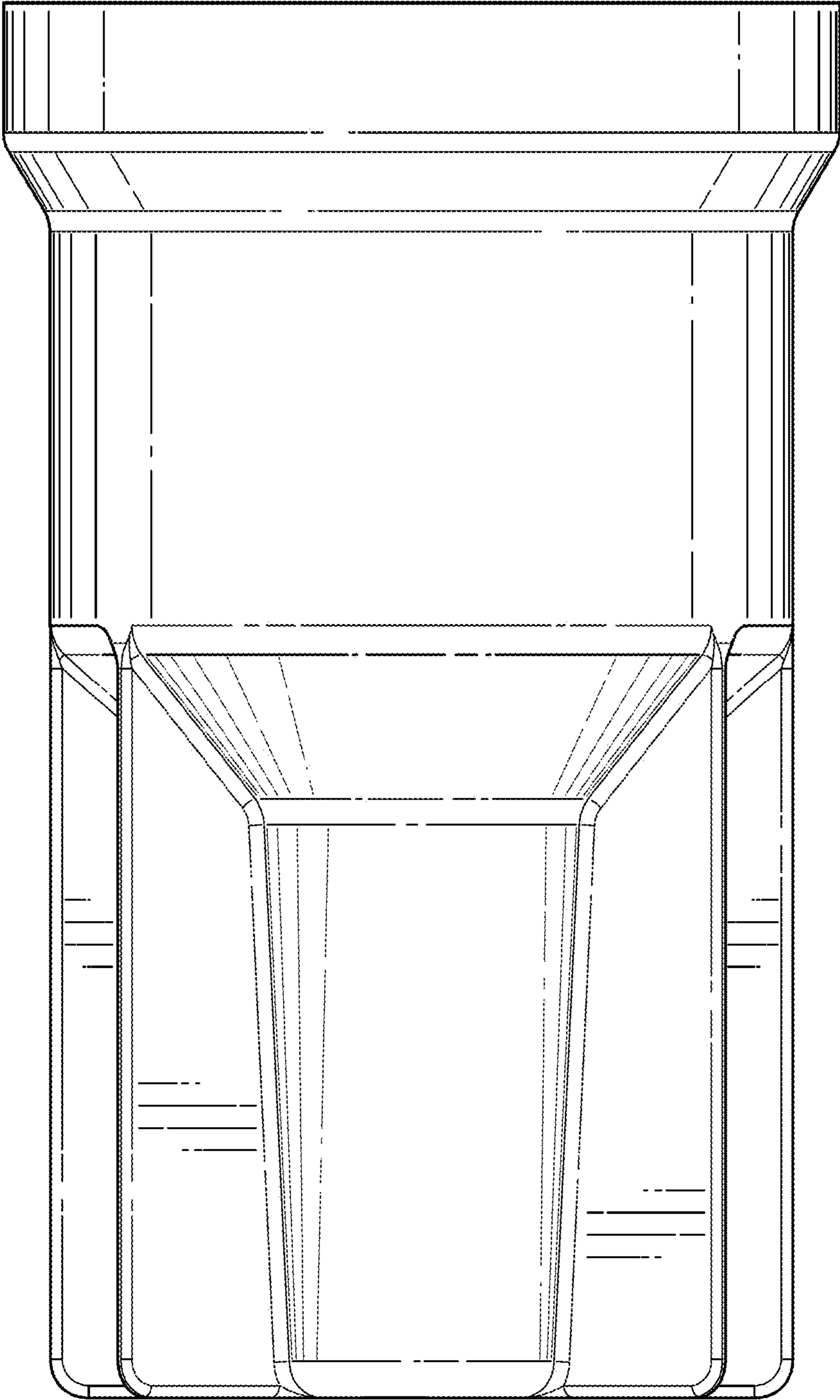


FIG. 12

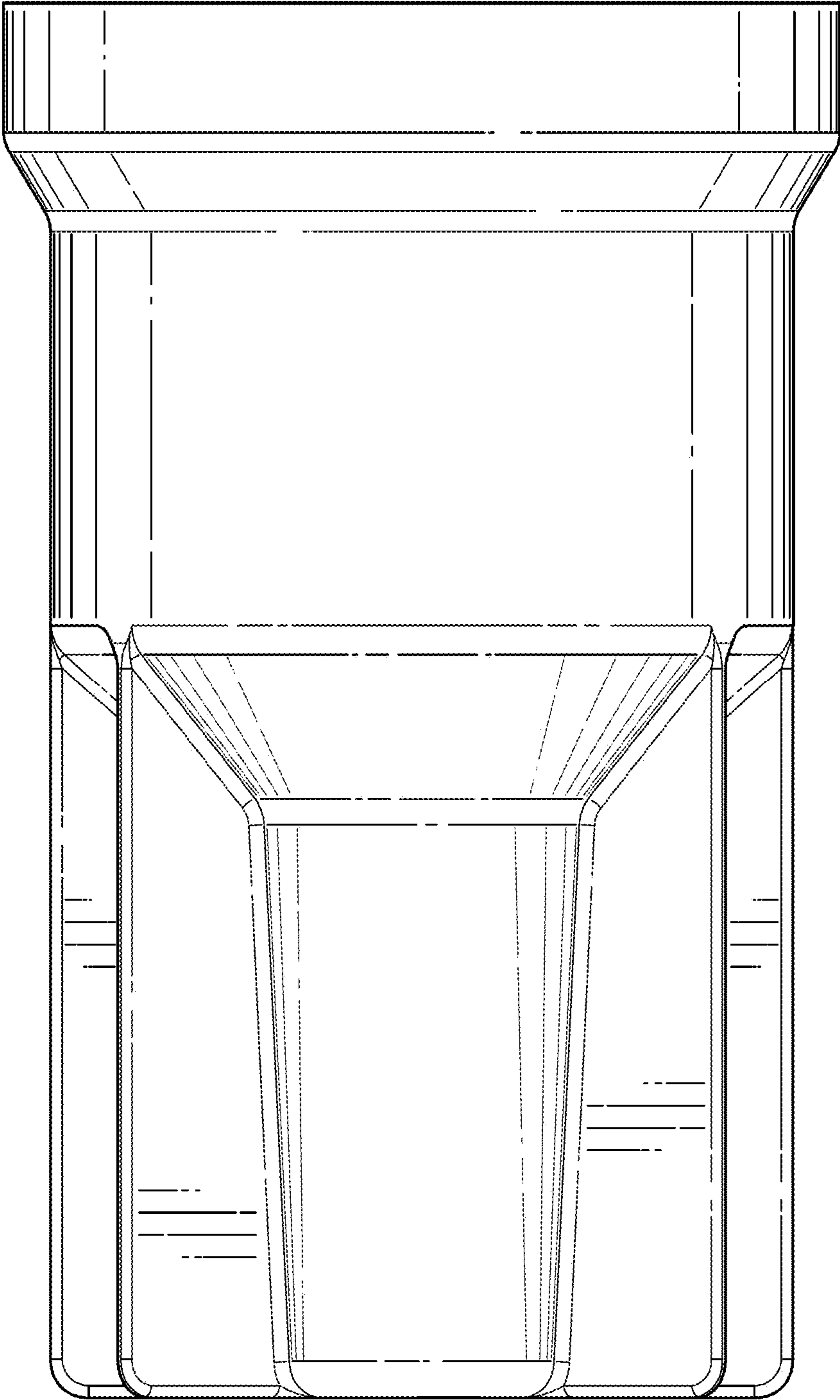


FIG. 13

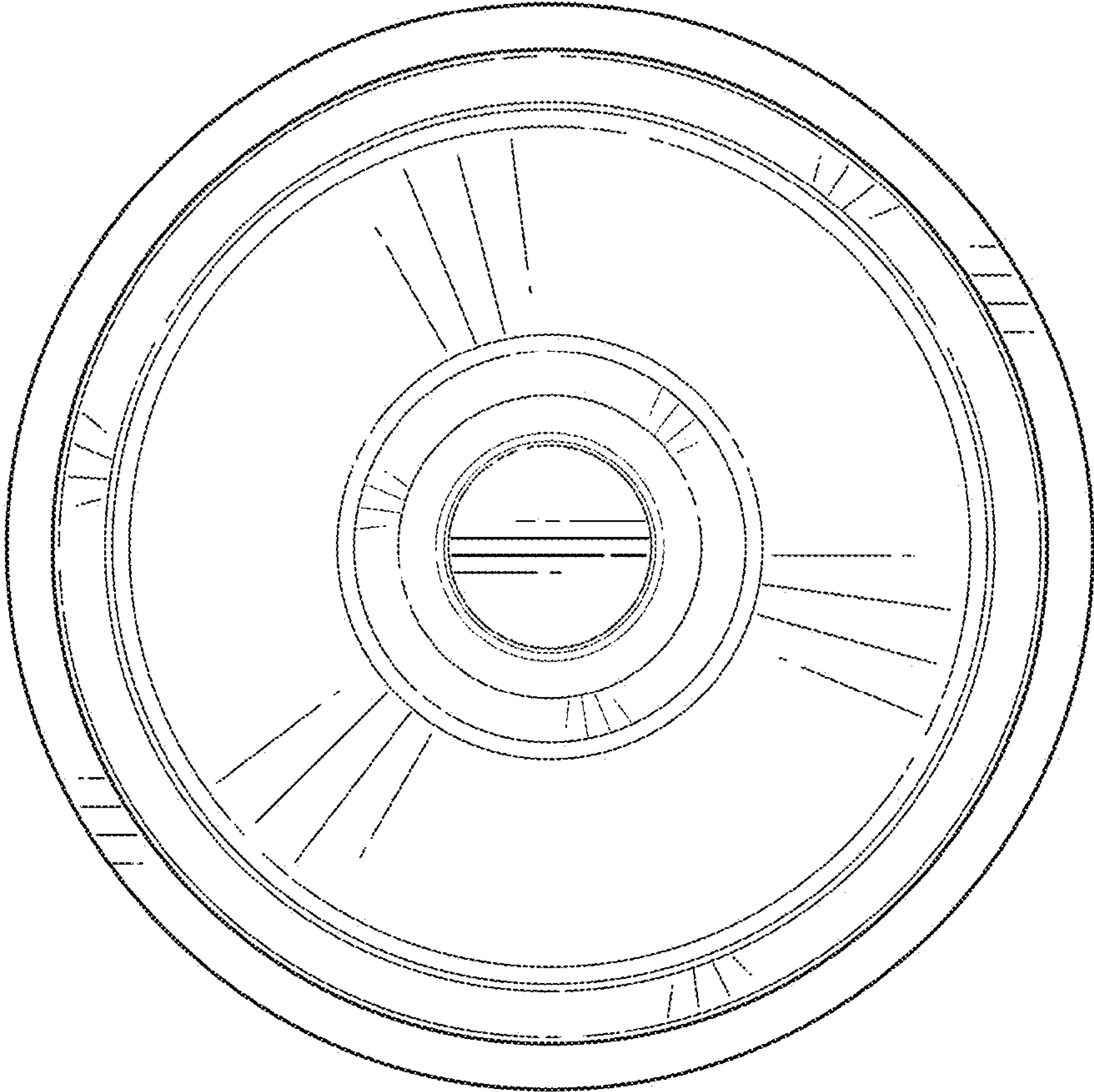


FIG. 14



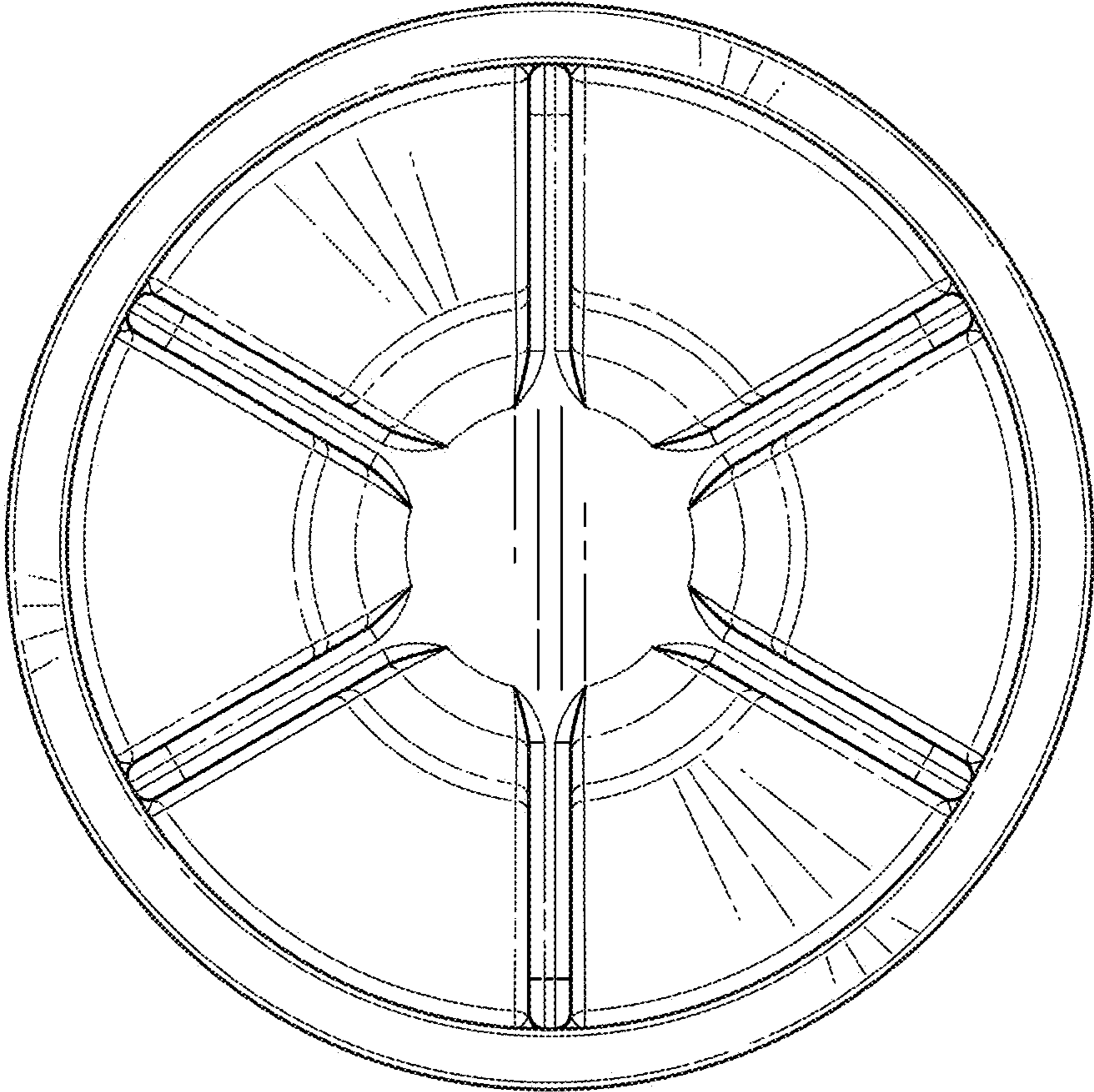


FIG. 15

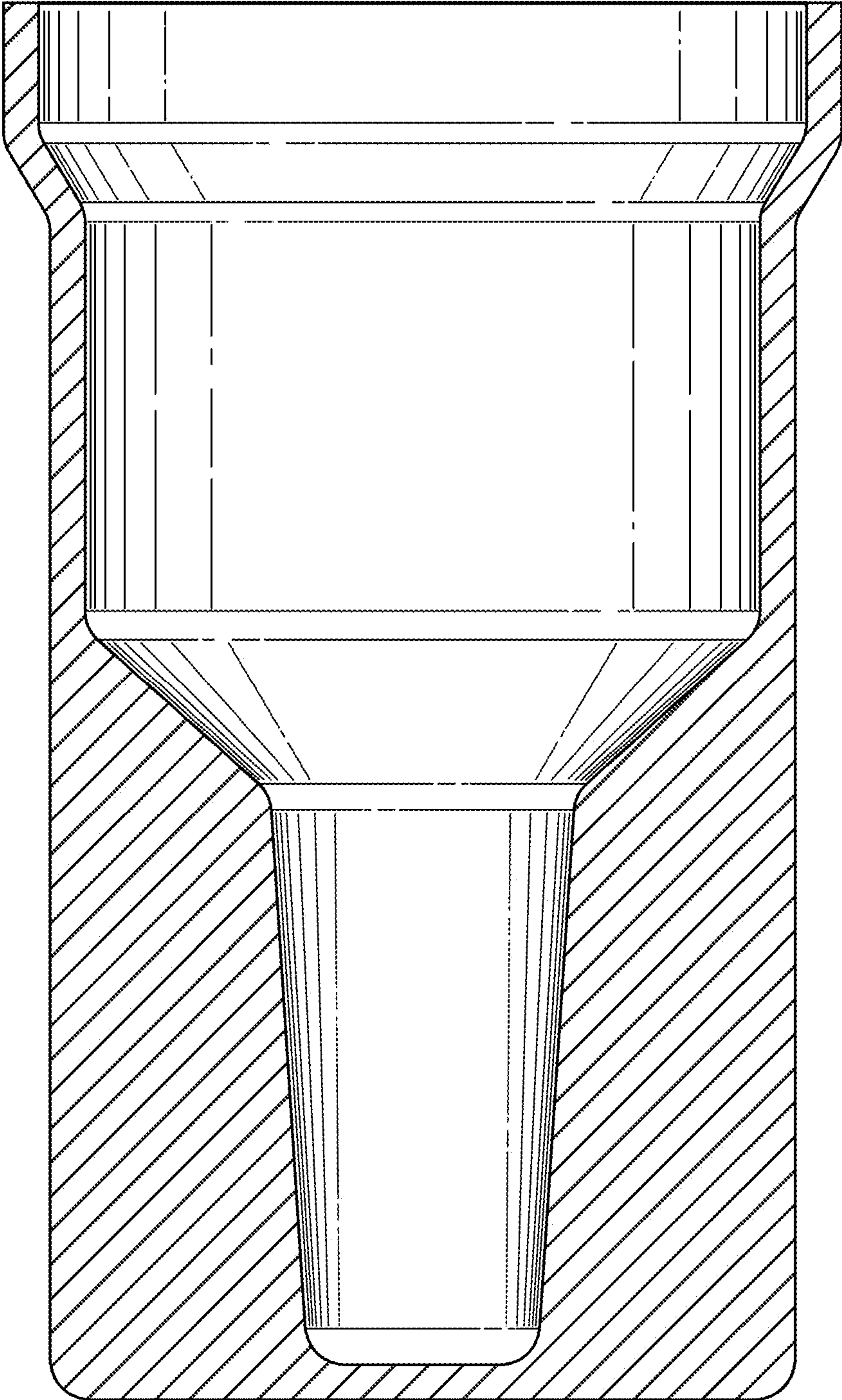


FIG. 16

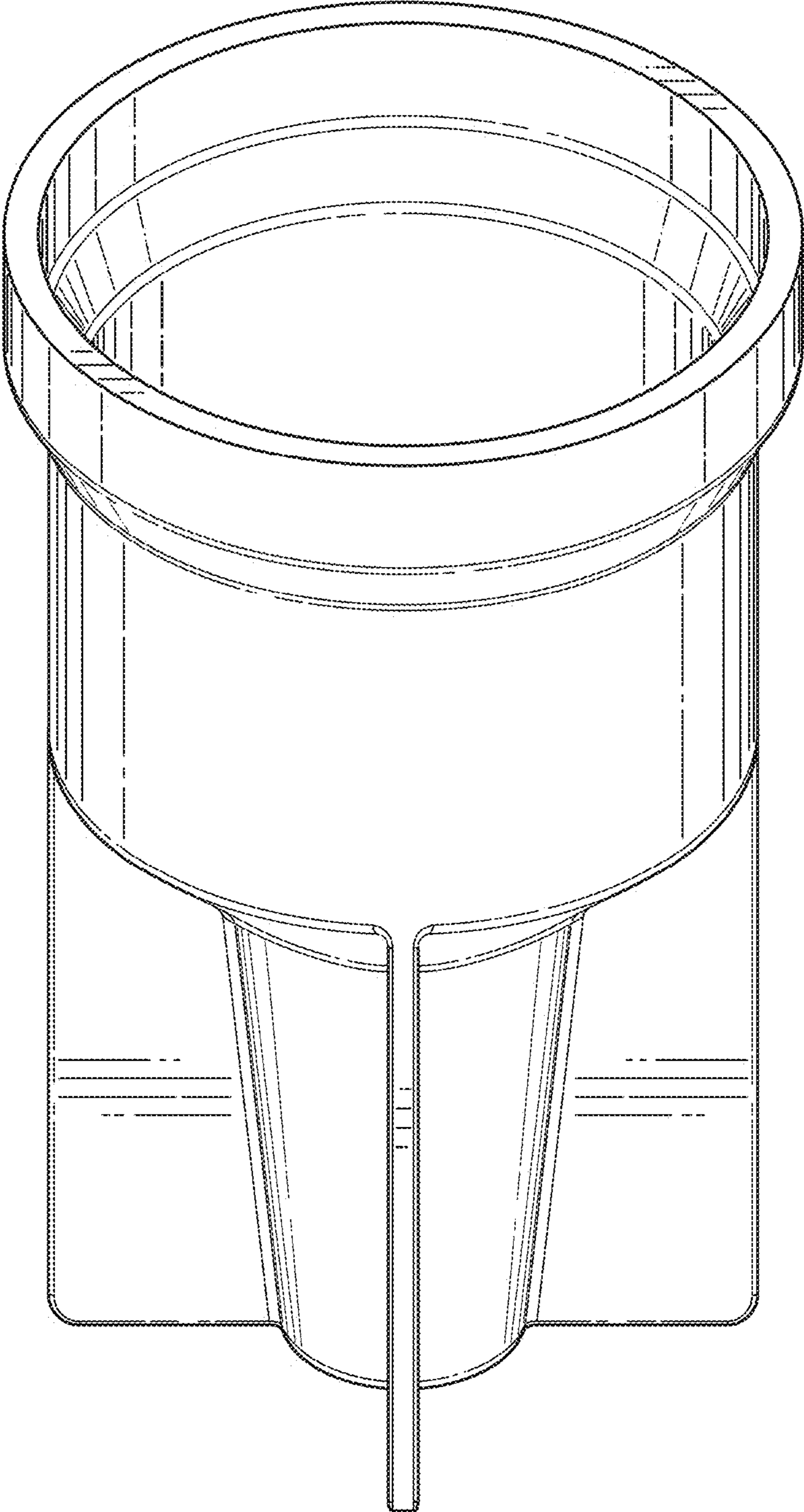


FIG. 17

FIG. 24 ←

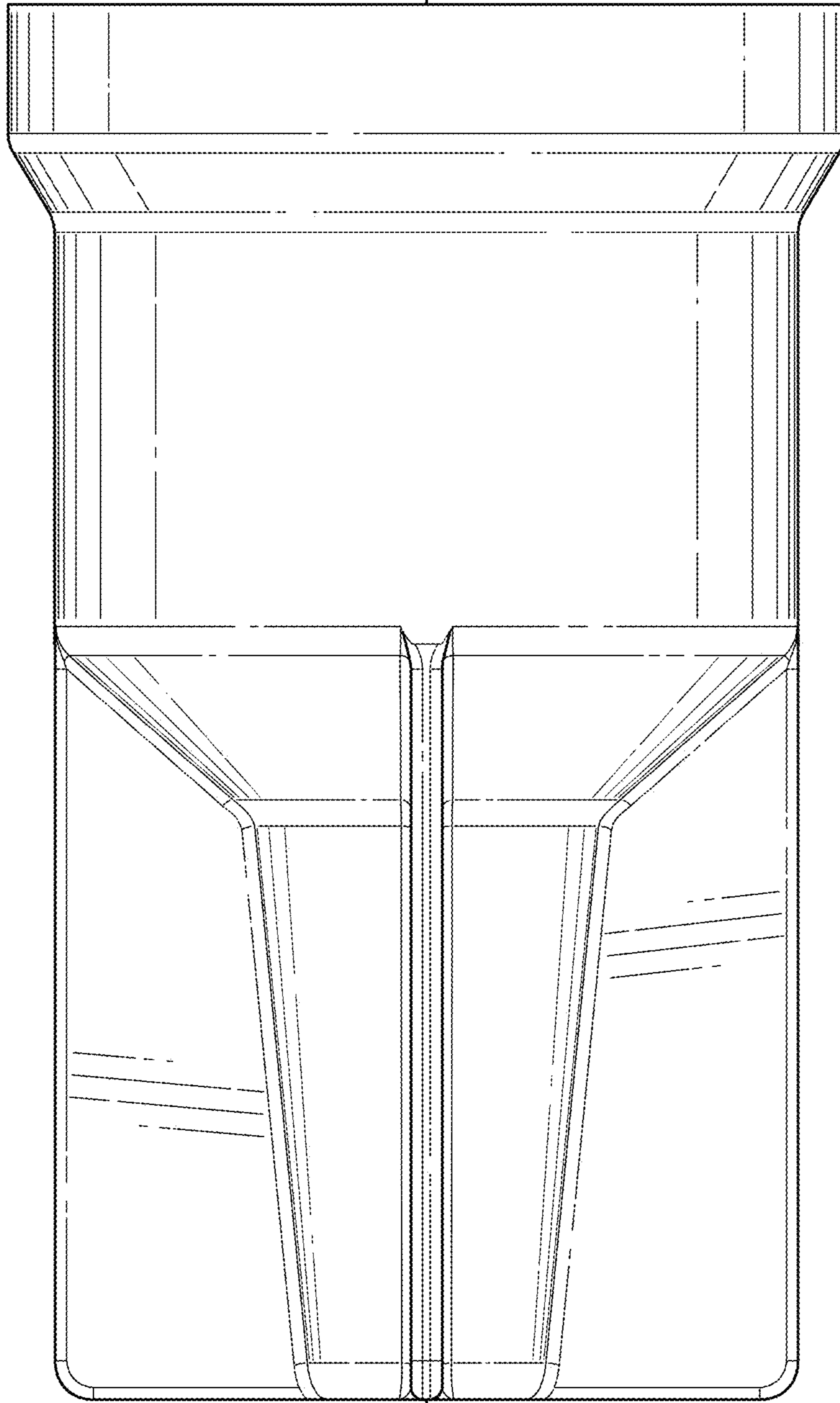


FIG. 24 ←

FIG. 18



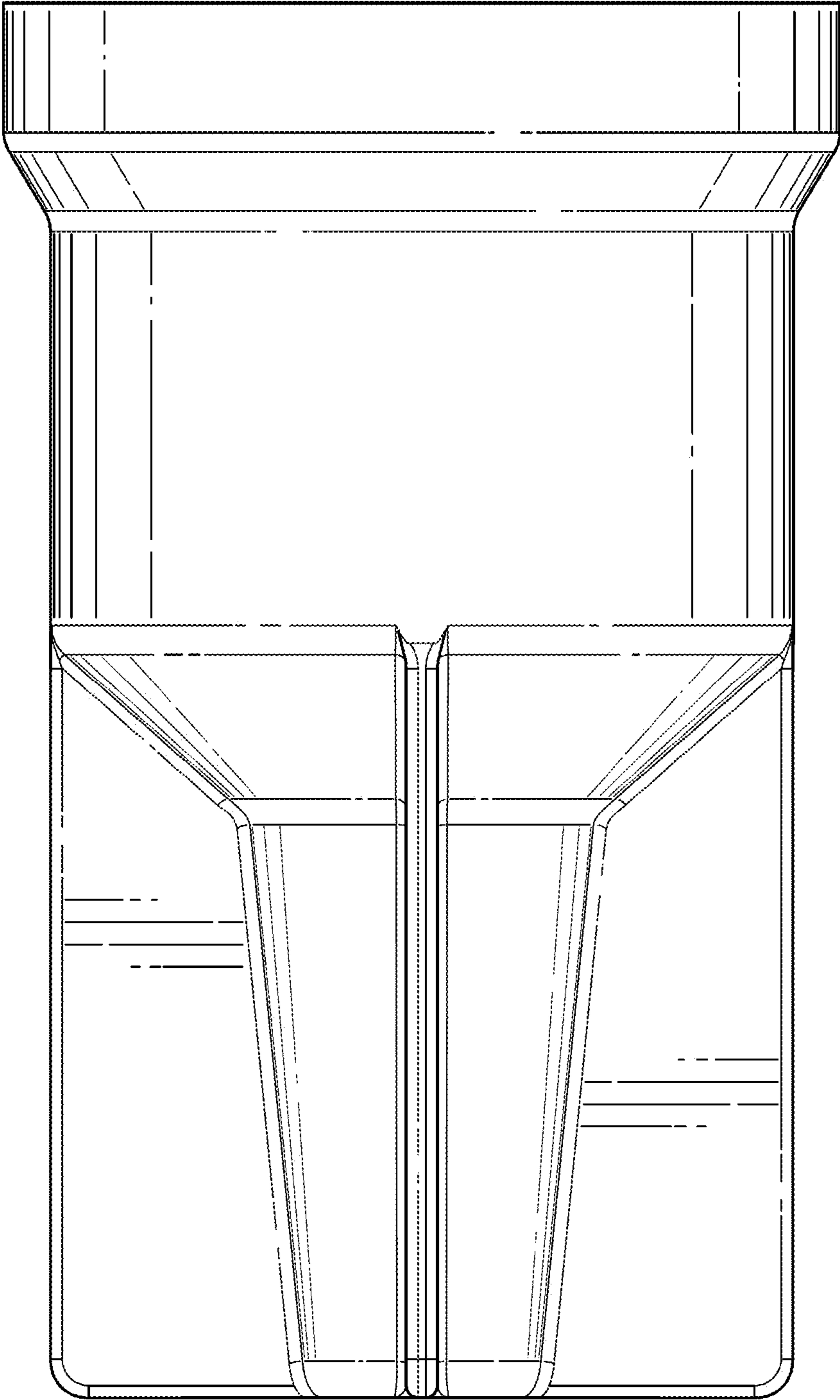


FIG. 19

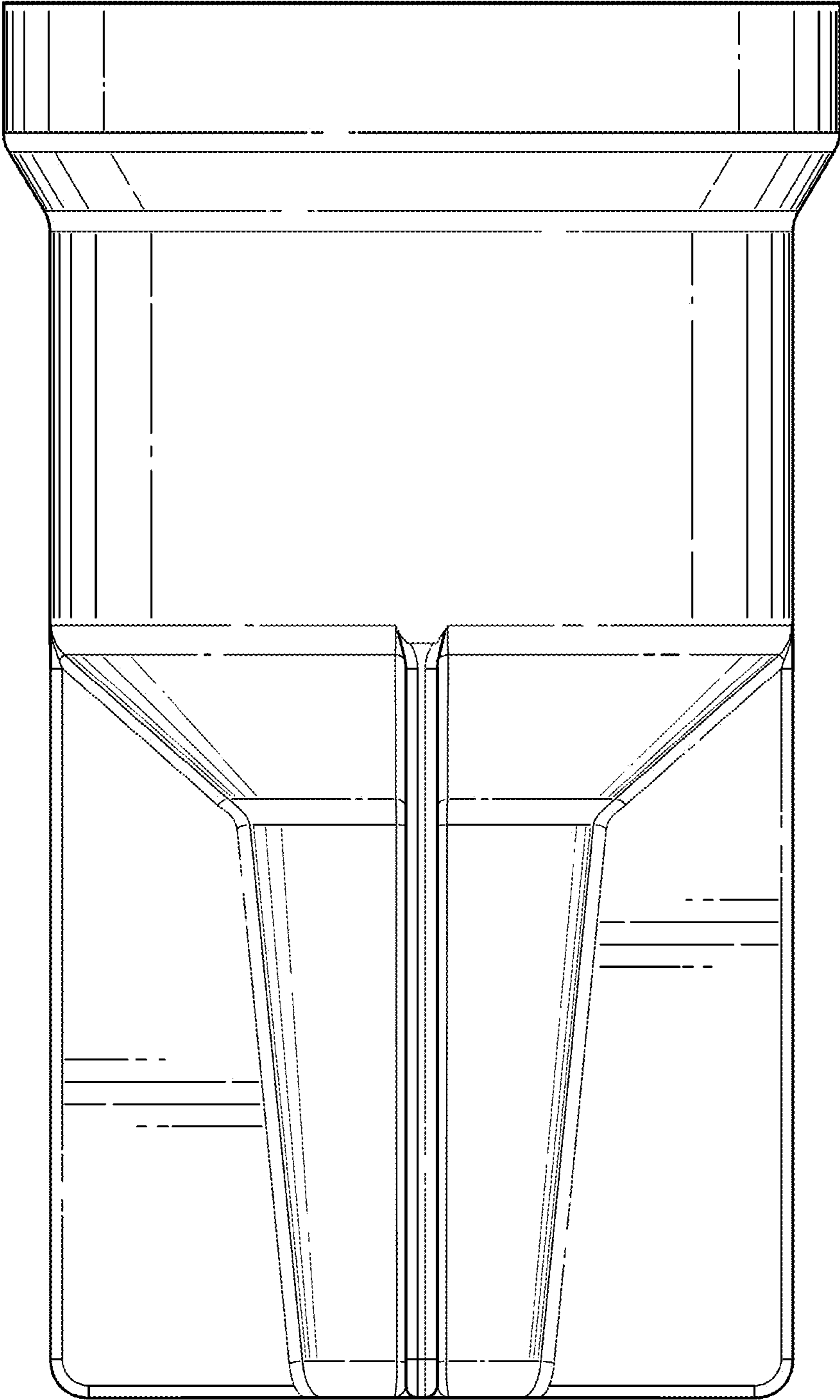


FIG. 20

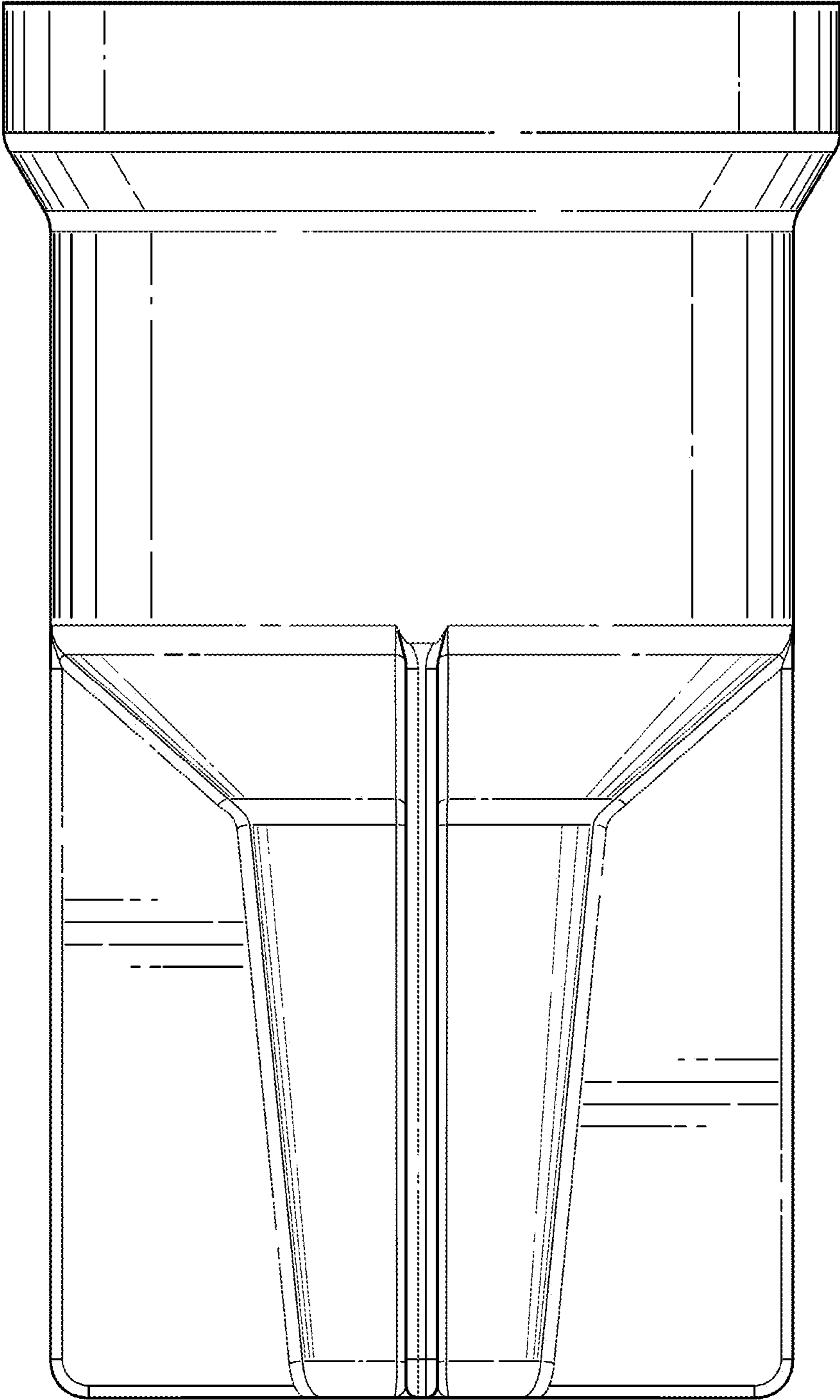


FIG. 21

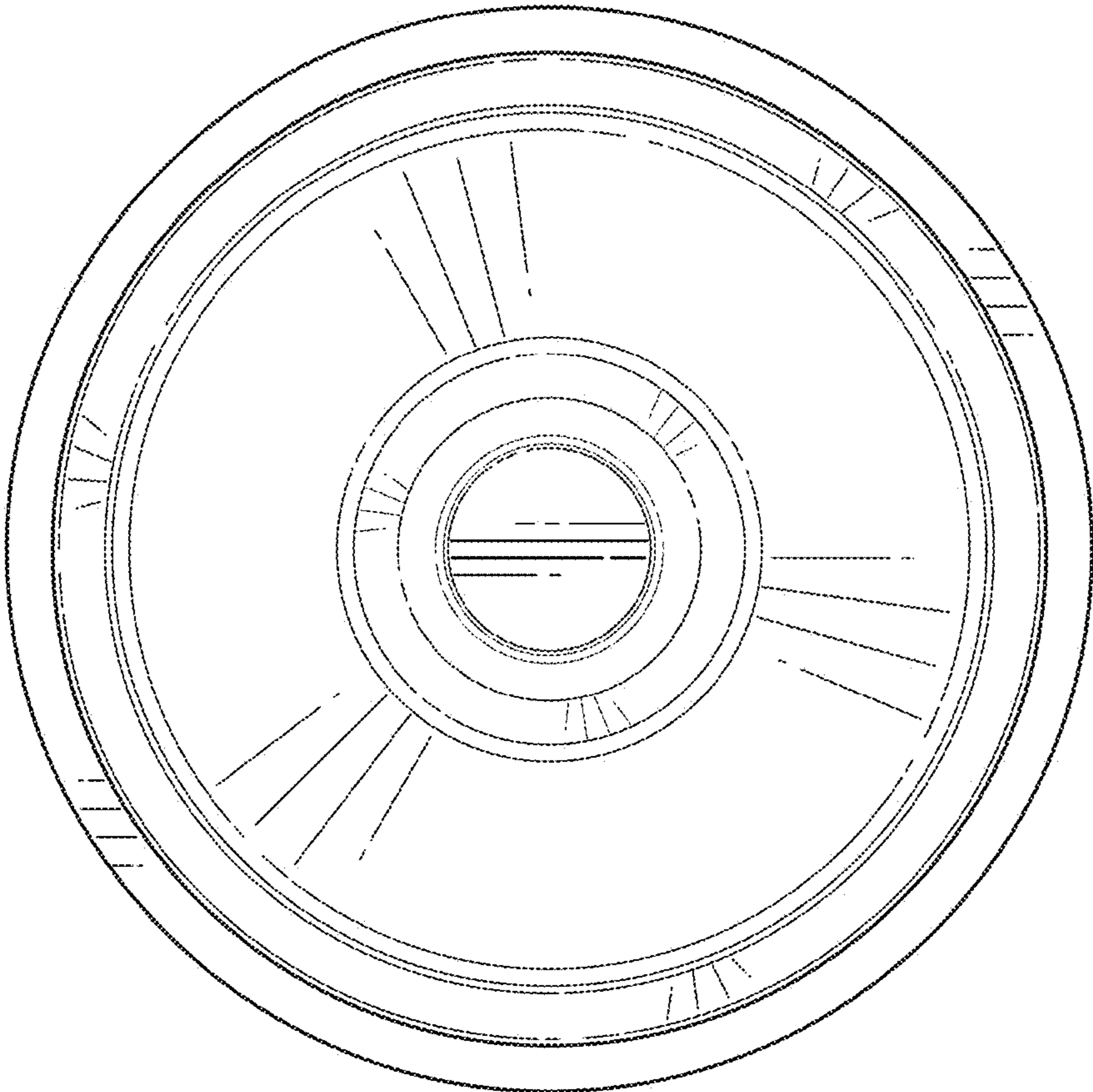


FIG. 22



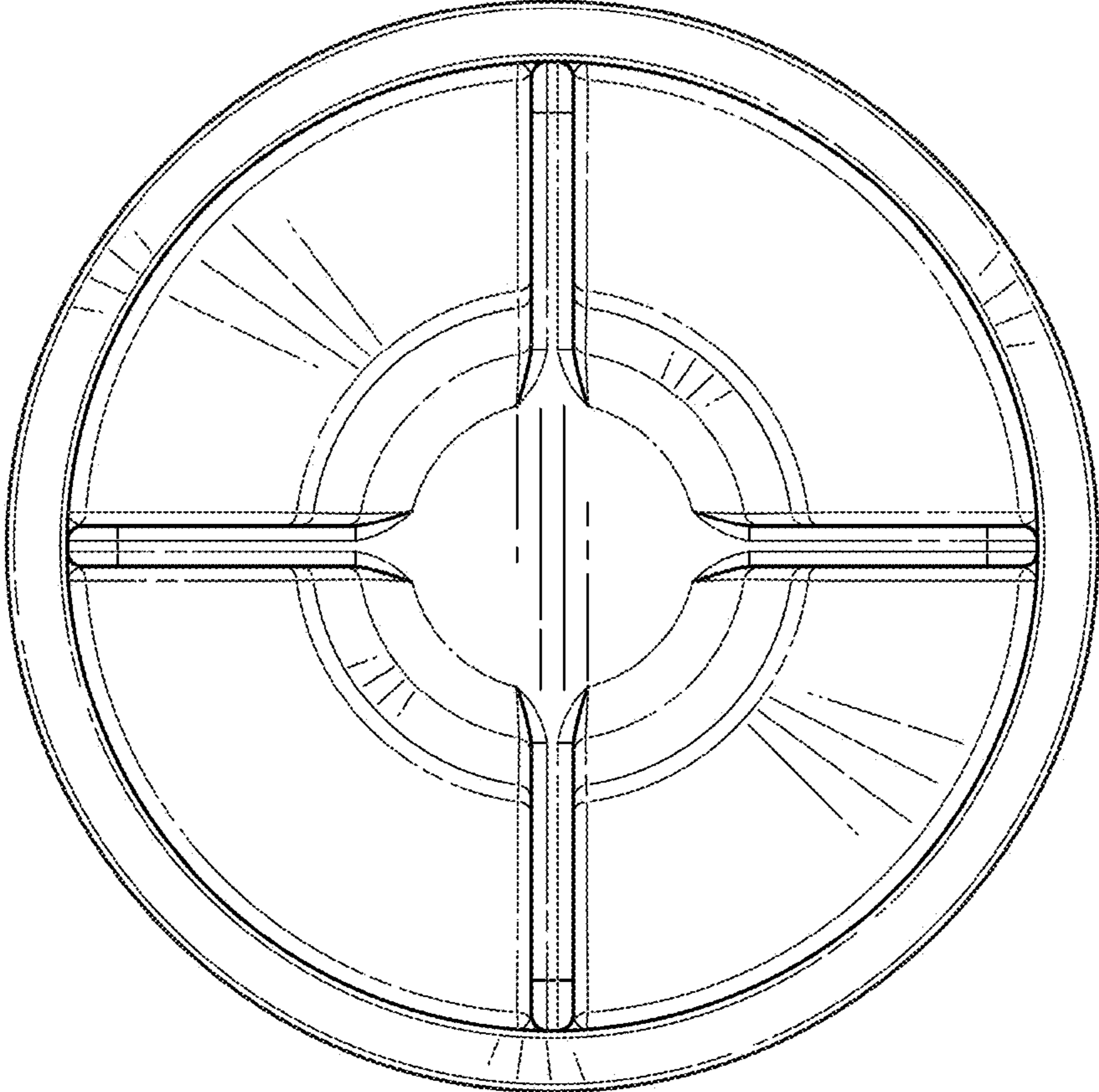


FIG. 23

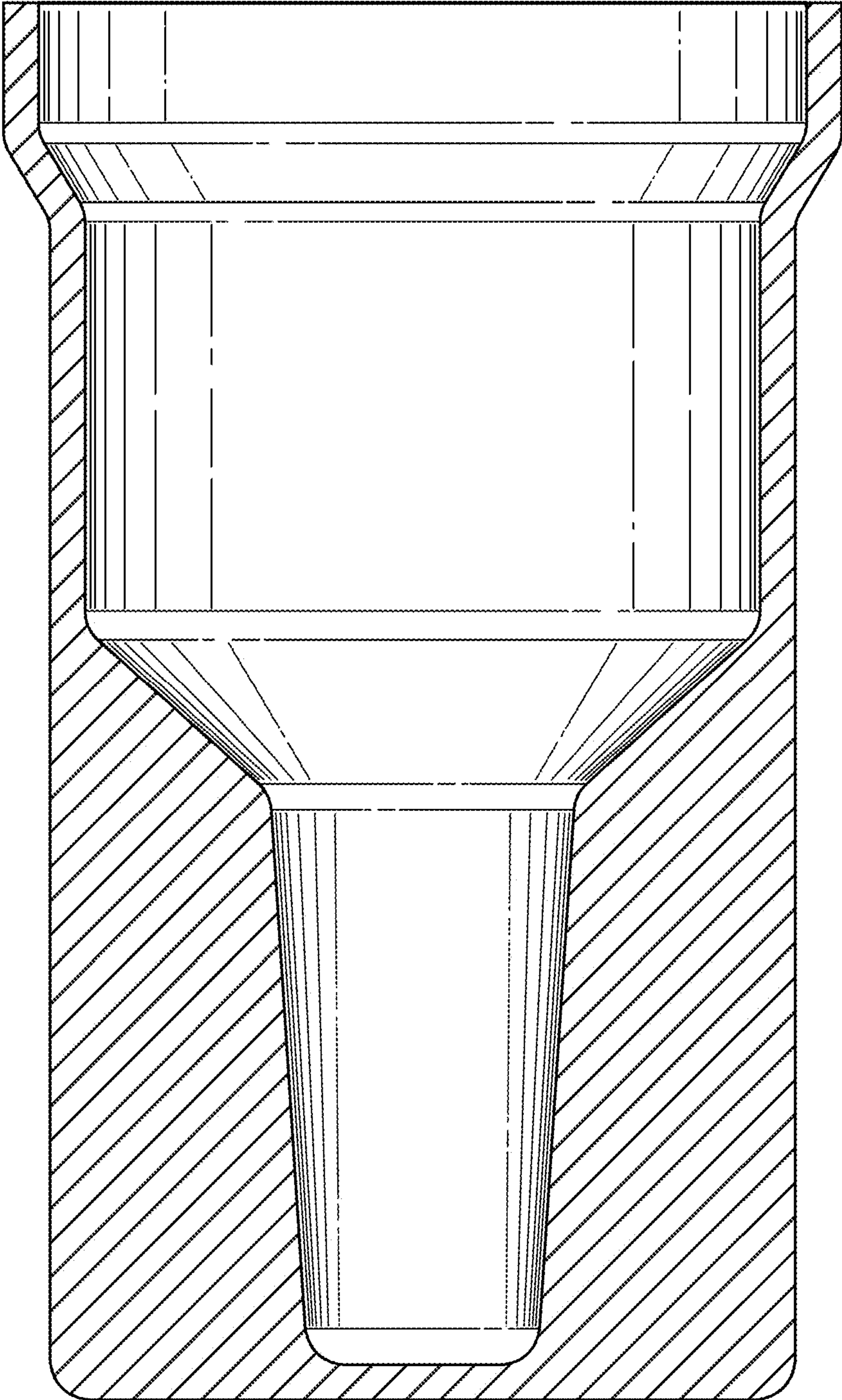


FIG. 24