



US00D886938S

(12) **United States Design Patent**
Jiang

(10) **Patent No.:** **US D886,938 S**

(45) **Date of Patent:** **** Jun. 9, 2020**

(54) **FOLDABLE SPINE SUPPORT FOR WINDSOCK DECOYS**

(71) Applicant: **Hai-Hui Jiang**, Zhejiang (CN)

(72) Inventor: **Hai-Hui Jiang**, Zhejiang (CN)

(**) Term: **15 Years**

(21) Appl. No.: **29/677,497**

(22) Filed: **Jan. 22, 2019**

(51) **LOC (12) Cl.** **22-05**

(52) **U.S. Cl.**
USPC **D22/125**

(58) **Field of Classification Search**
USPC D22/125, 147; D11/183; 43/1-3, 121,
43/124, 131, 132.1; D10/4, 6, 59-60;
73/170.05; 29/407.09; 367/139;
340/573.2; 116/22 A
CPC A01M 7/00; A01M 31/00; A01M 31/06;
G01P 13/02
See application file for complete search history.

(56) **References Cited**

U.S. PATENT DOCUMENTS

2,787,074 A * 4/1957 Miller A01M 31/06
43/3
3,245,168 A * 4/1966 Pool A01M 31/06
43/3

D365,136 S * 12/1995 Shaver D22/125
D553,025 S * 10/2007 Kuzmin D10/59
2008/0184610 A1 * 8/2008 Pfeifle A01M 31/06
43/3
2016/0021871 A1 * 1/2016 Holste G01P 13/02
73/170.05

* cited by examiner

Primary Examiner — Catherine R Oliver-Garcia

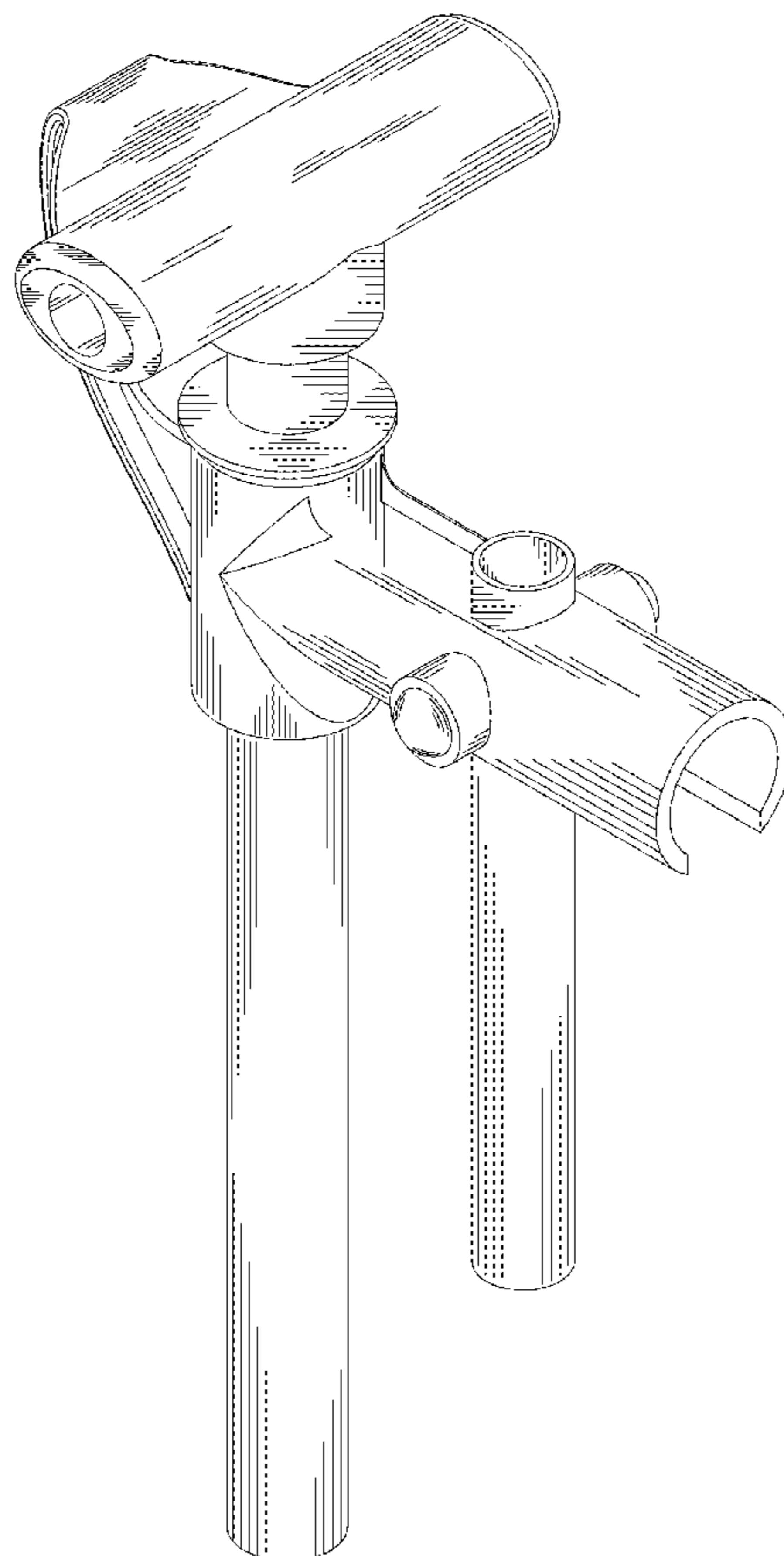
(57) **CLAIM**

The ornamental design for a foldable spine support for windsock decoys, as shown and described.

DESCRIPTION

FIG. 1 is a perspective view of a foldable spine support for windsock decoys showing my new design; FIG. 2 is a front elevational view thereof; FIG. 3 is a top plan view thereof; FIG. 4 is a left side elevational view thereof; FIG. 5 is a rear elevational view thereof; FIG. 6 is a right side view thereof; and, FIG. 7 is a bottom plan view thereof.

1 Claim, 7 Drawing Sheets



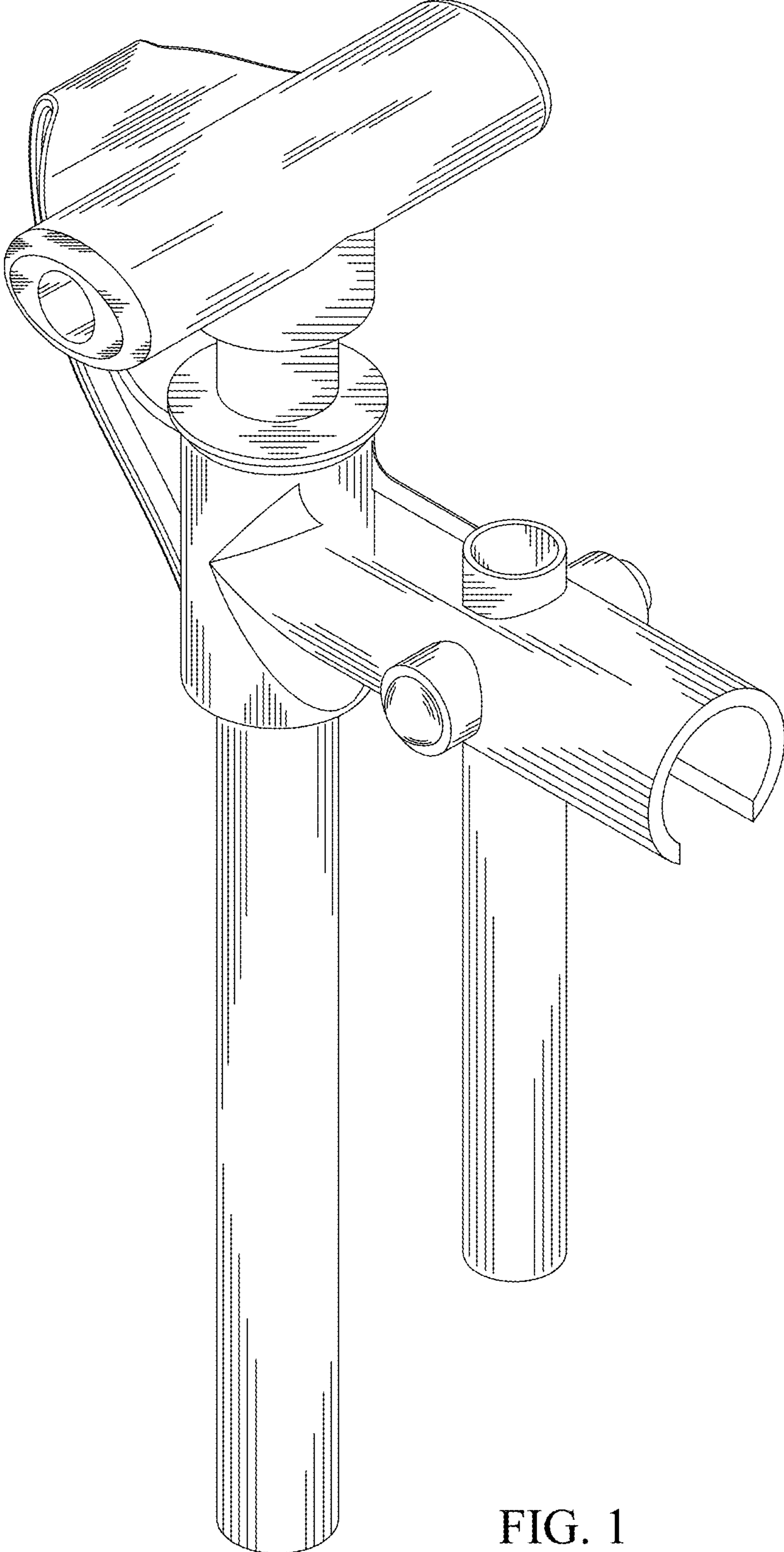


FIG. 1

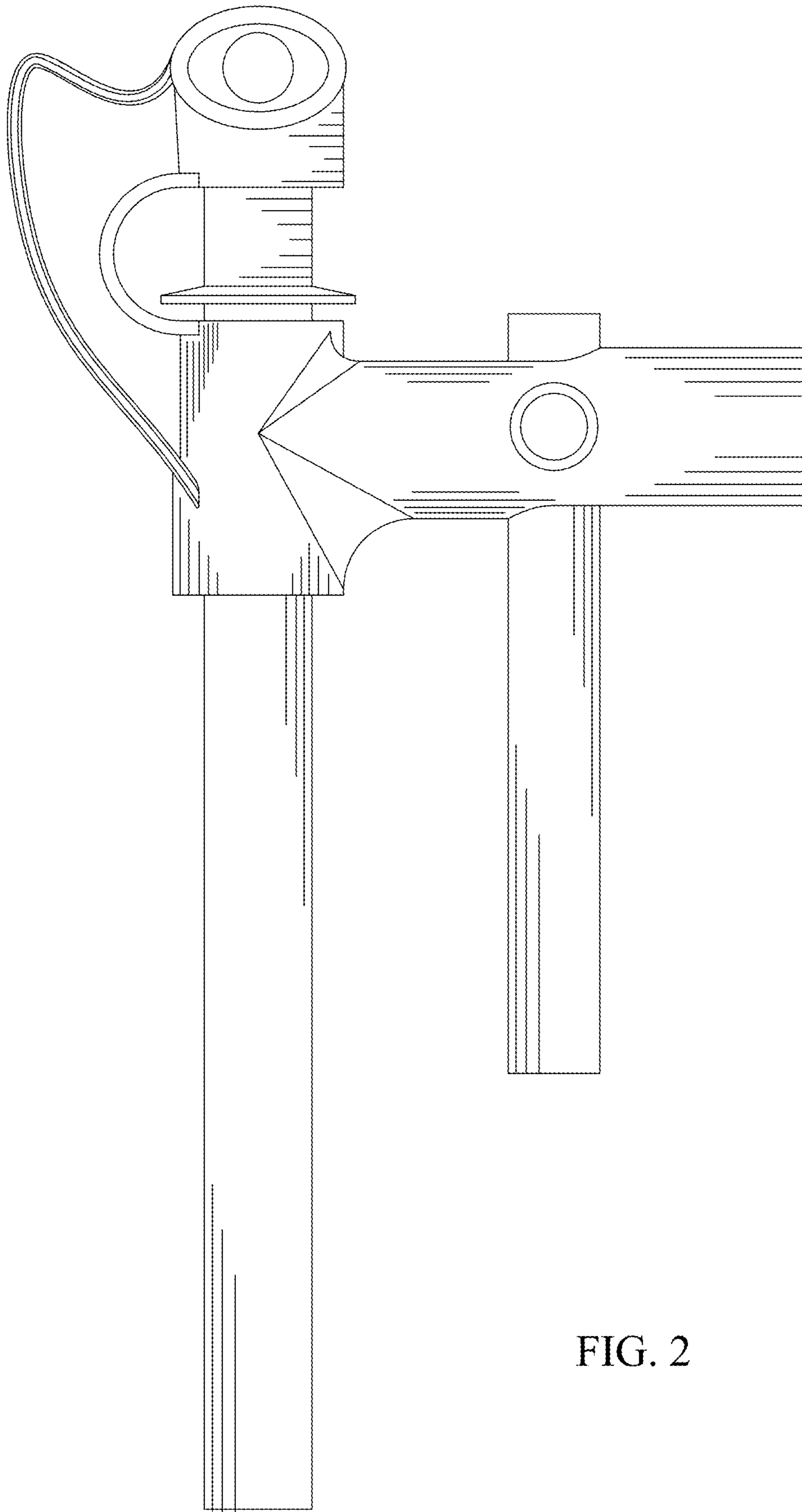


FIG. 2

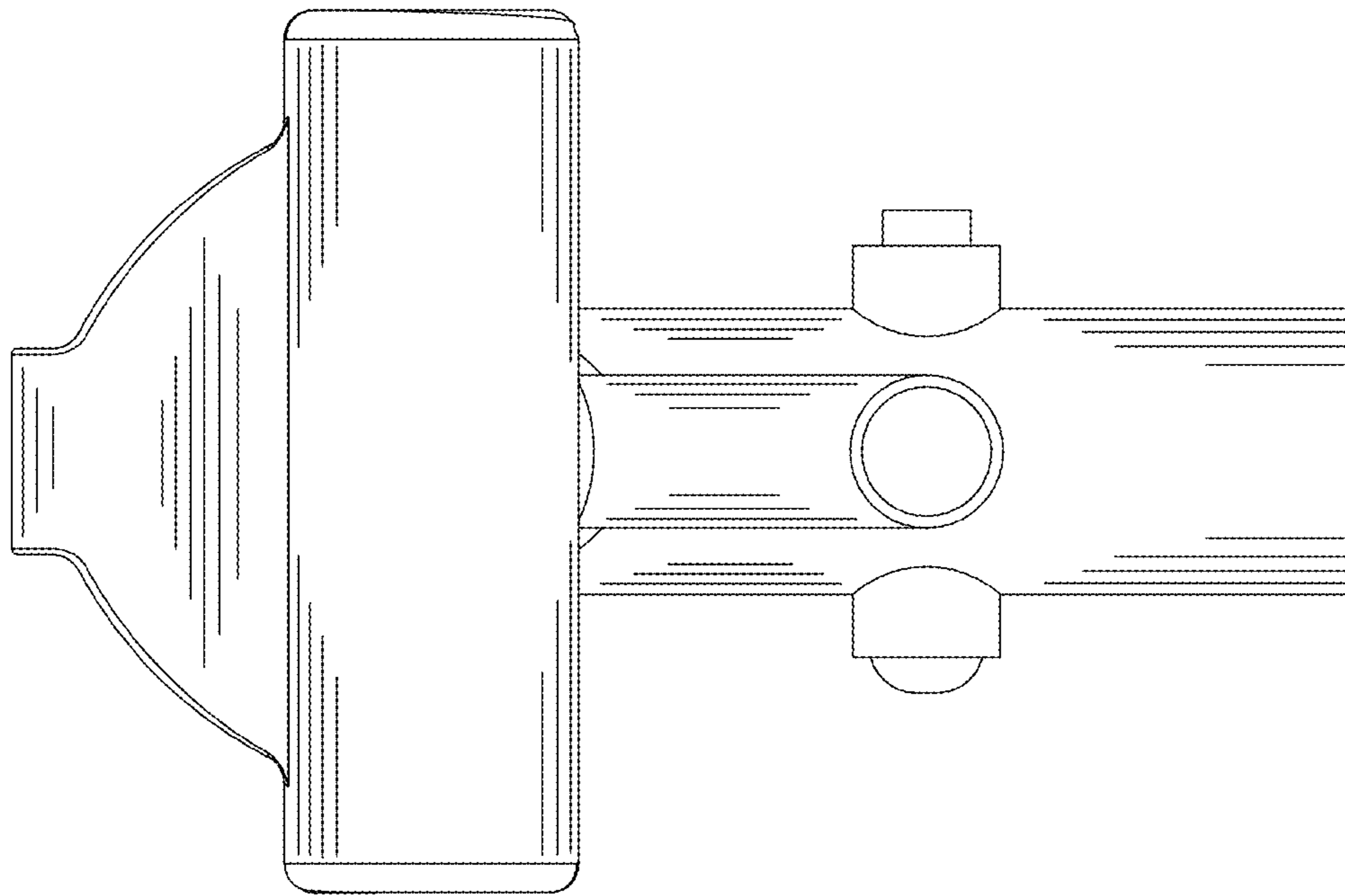


FIG. 3

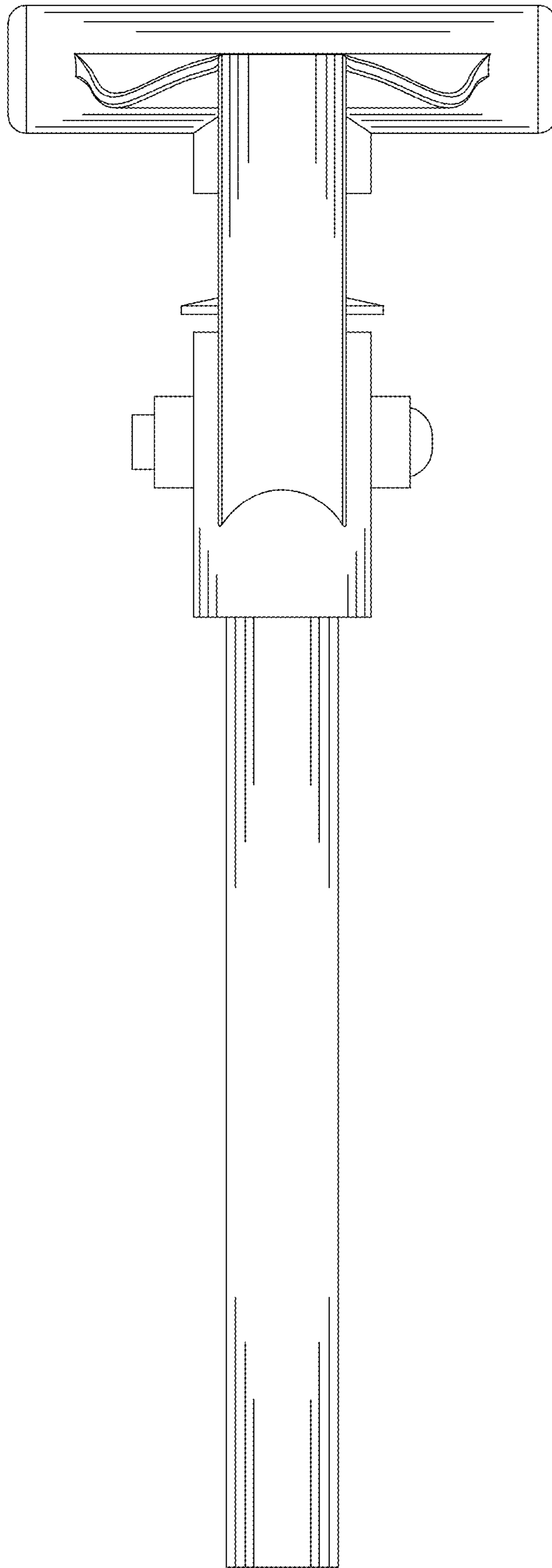


FIG. 4

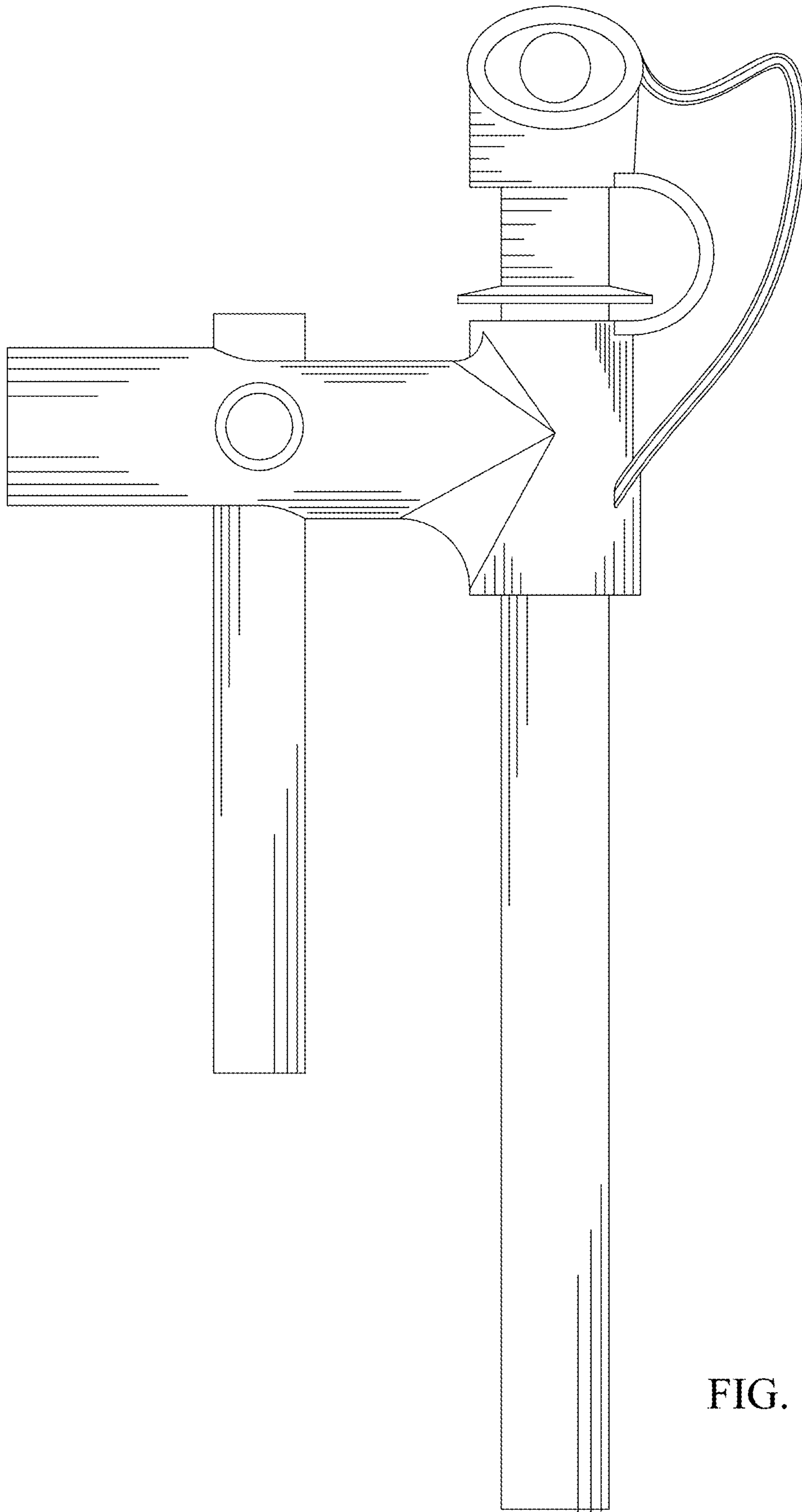


FIG. 5

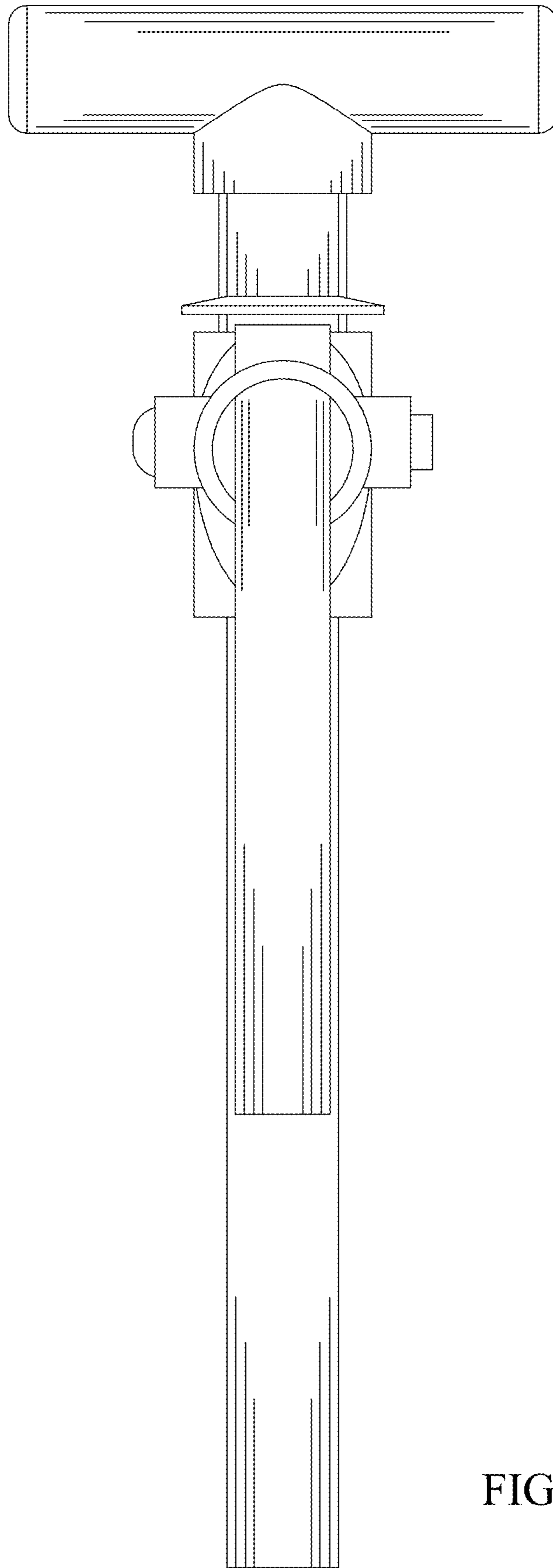


FIG. 6

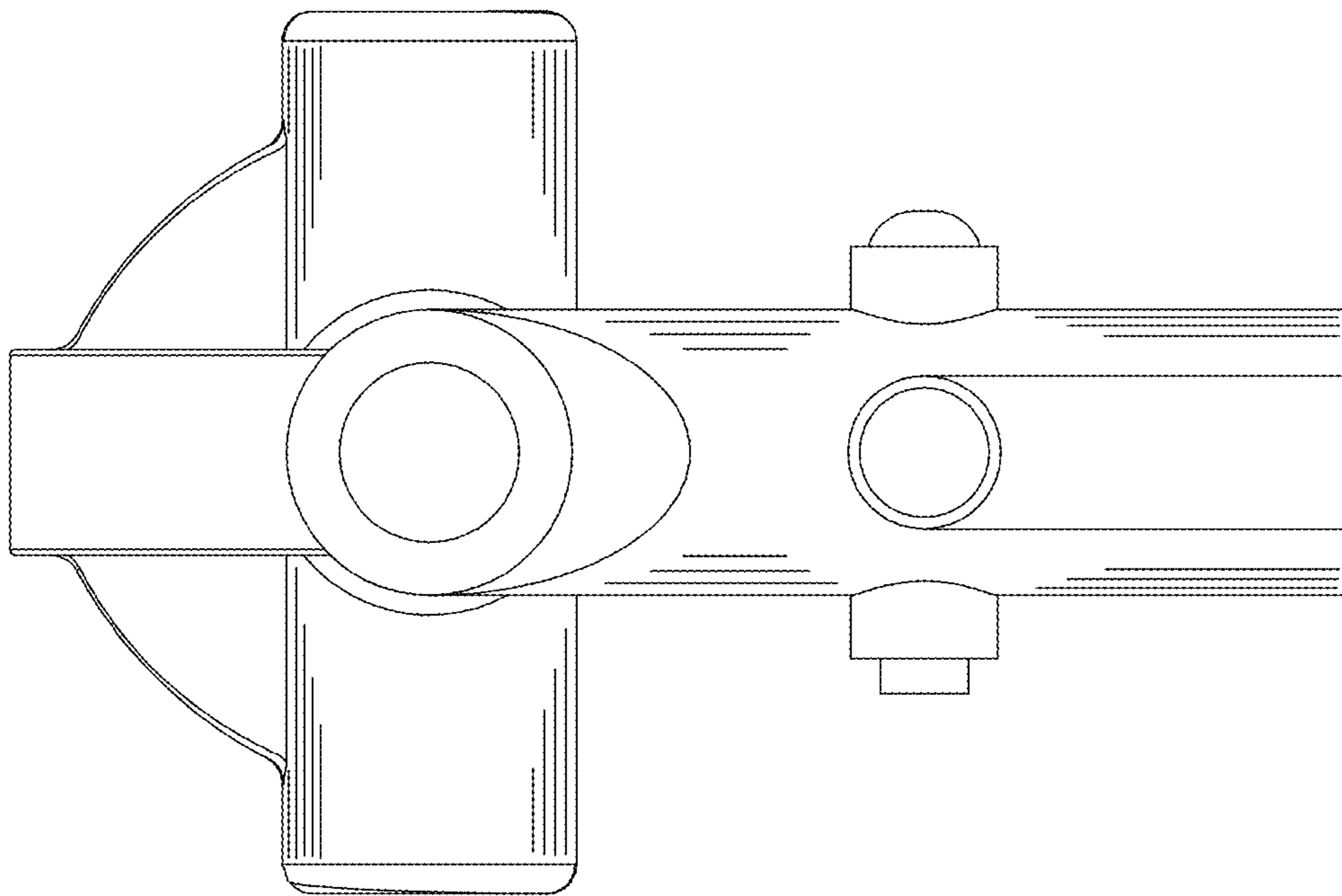


FIG. 7