



US00D886936S

(12) **United States Design Patent**  
**Oglesby**

(10) **Patent No.:** **US D886,936 S**

(45) **Date of Patent:** **\*\* Jun. 9, 2020**

(54) **UPPER AND LOWER RECEIVER FOR A FIREARM**

(71) Applicant: **Paul A. Oglesby**, Darley (GB)

(72) Inventor: **Paul A. Oglesby**, Darley (GB)

(\*\*) Term: **15 Years**

(21) Appl. No.: **29/680,295**

(22) Filed: **Feb. 14, 2019**

(51) **LOC (12) Cl.** ..... **22-01**

(52) **U.S. Cl.**

USPC ..... **D22/108**; D22/103

(58) **Field of Classification Search**

USPC ..... D22/100, 103, 108, 109, 113, 115, 116,  
D22/199; D21/302, 567, 573

CPC .... F41C 7/00; F41C 23/16; F41G 1/02; F41G  
1/027; F41G 1/14; F41J 1/10; F42B 6/10;  
F42B 7/00; F42B 7/02; F41A 17/38

See application file for complete search history.

(56) **References Cited**

**U.S. PATENT DOCUMENTS**

7,428,795	B2 *	9/2008	Herring	.....	F41A 3/66 42/75.01
D636,832	S *	4/2011	Mayberry	.....	D22/108
8,307,750	B2 *	11/2012	Vuksanovich	.....	F41A 5/28 89/191.01
D689,974	S *	9/2013	Sharps	.....	D22/108
D713,485	S *	9/2014	Firpo, I	.....	D22/108
8,925,229	B2 *	1/2015	Michel	.....	F41A 3/66 42/18
D726,862	S *	4/2015	Crume, Sr.	.....	D22/108
D726,863	S *	4/2015	Crume, Sr.	.....	D22/108
D727,454	S *	4/2015	Robinson	.....	D22/108
D746,936	S *	1/2016	Huang	.....	D22/108
9,303,949	B1 *	4/2016	Oglesby	.....	F41A 3/66
D755,338	S *	5/2016	Slank	.....	D22/108
D760,860	S *	7/2016	Vincent	.....	D22/108
D765,211	S *	8/2016	Huang	.....	D22/108
9,464,866	B1 *	10/2016	Liang	.....	F41C 23/16

D773,585	S *	12/2016	Miller, III	.....	D22/108
9,528,793	B1 *	12/2016	Oglesby	.....	F41C 23/16
D782,596	S *	3/2017	Angstadt	.....	D22/108
D795,379	S *	8/2017	Frederickson	.....	D22/108
D796,619	S *	9/2017	Morris	.....	D22/108
D805,154	S *	12/2017	Steele	.....	D22/108
D820,937	S *	6/2018	Hiler, Jr.	.....	D22/108

(Continued)

**OTHER PUBLICATIONS**

“Steam Punk AR15” [online]. Miles. [Published May 3, 2016]. Retrieved from the Internet: <<https://www.thefirearmblog.com/blog/2016/05/03/steam-punk-ar15/>>.\*

*Primary Examiner* — Khawaja Anwar

*Assistant Examiner* — Mojtaba Tehrani

(74) *Attorney, Agent, or Firm* — Shaddock Law Group, PC

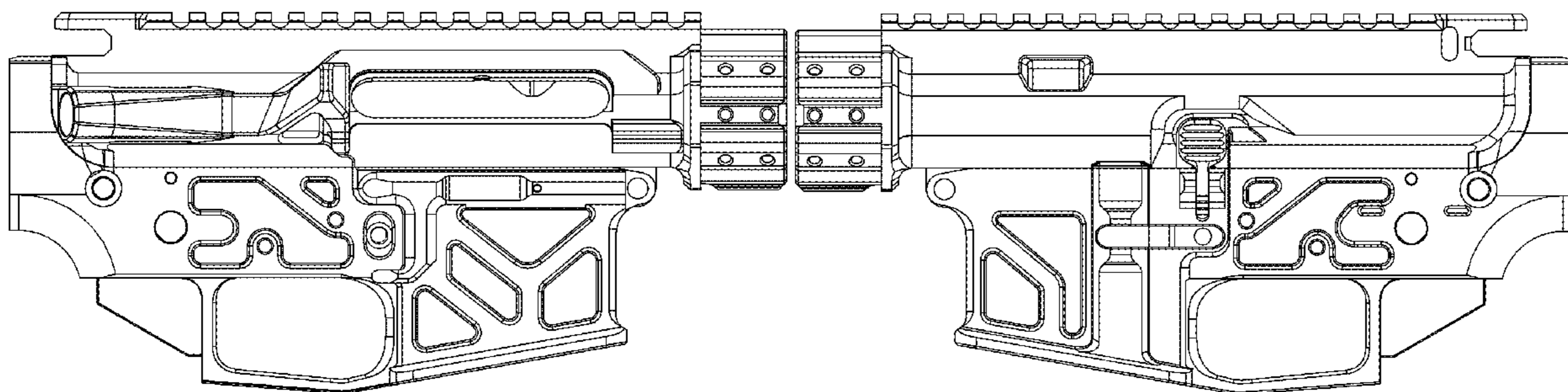
(57) **CLAIM**

The ornamental design for an upper and lower receiver for a firearm, as shown and described.

**DESCRIPTION**

FIG. 1 is an upper, left, rear perspective view of the upper and lower receiver for a firearm, showing my new design; FIG. 2 is an upper, right, rear perspective view thereof; FIG. 3 is an upper, right, front perspective view thereof; FIG. 4 is an upper, left, front perspective view thereof; FIG. 5 is a lower, left, front perspective view thereof; FIG. 6 is a lower, right, front perspective view thereof; FIG. 7 is a lower, right, rear perspective view thereof; FIG. 8 is a lower, left, rear perspective view thereof; FIG. 9 is a right side view thereof; FIG. 10 is a left side view thereof; FIG. 11 is a top plan view thereof; FIG. 12 is a bottom plan view thereof; FIG. 13 is a front view thereof; and, FIG. 14 is a rear view thereof.

**1 Claim, 7 Drawing Sheets**



(56)

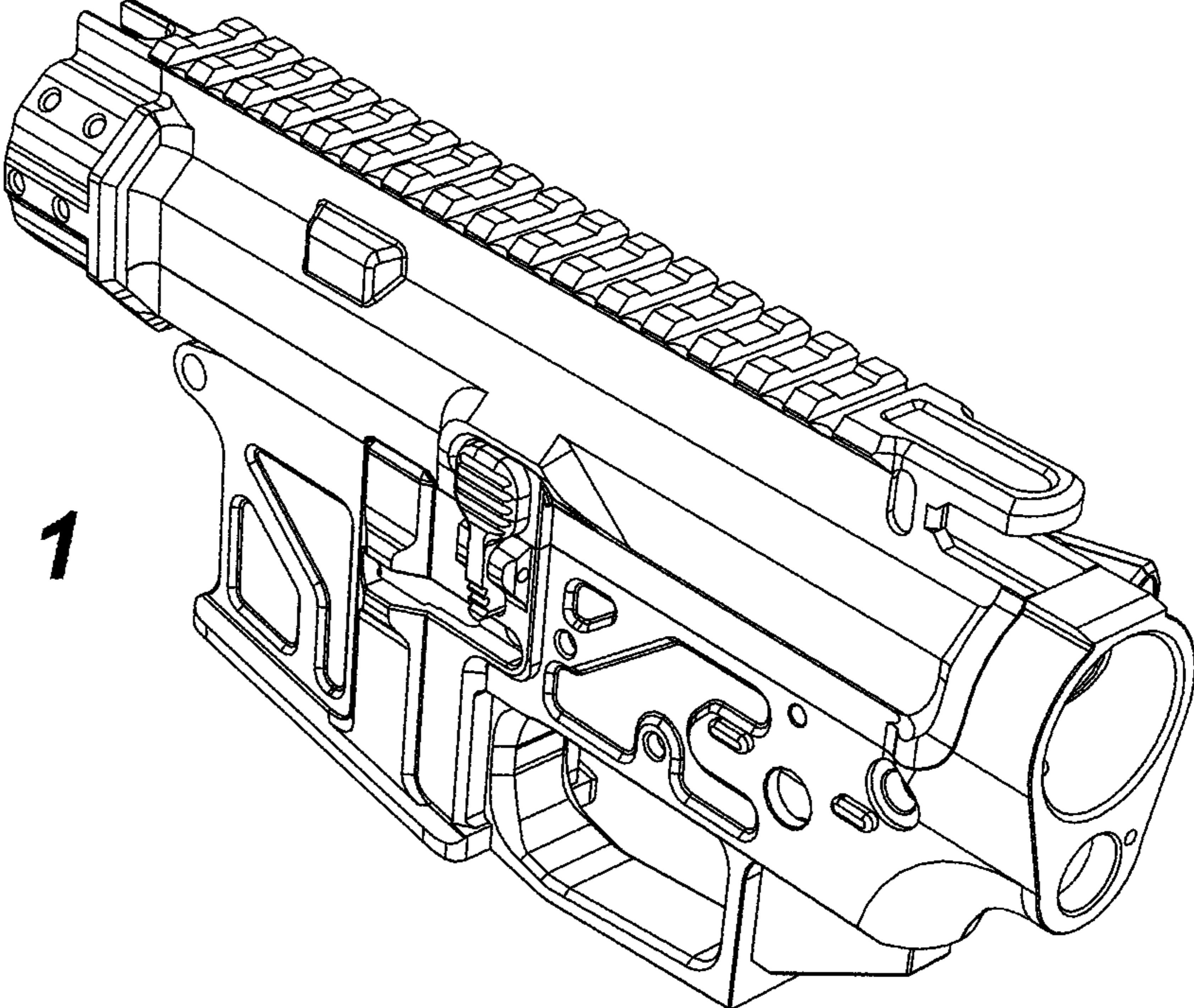
**References Cited**

U.S. PATENT DOCUMENTS

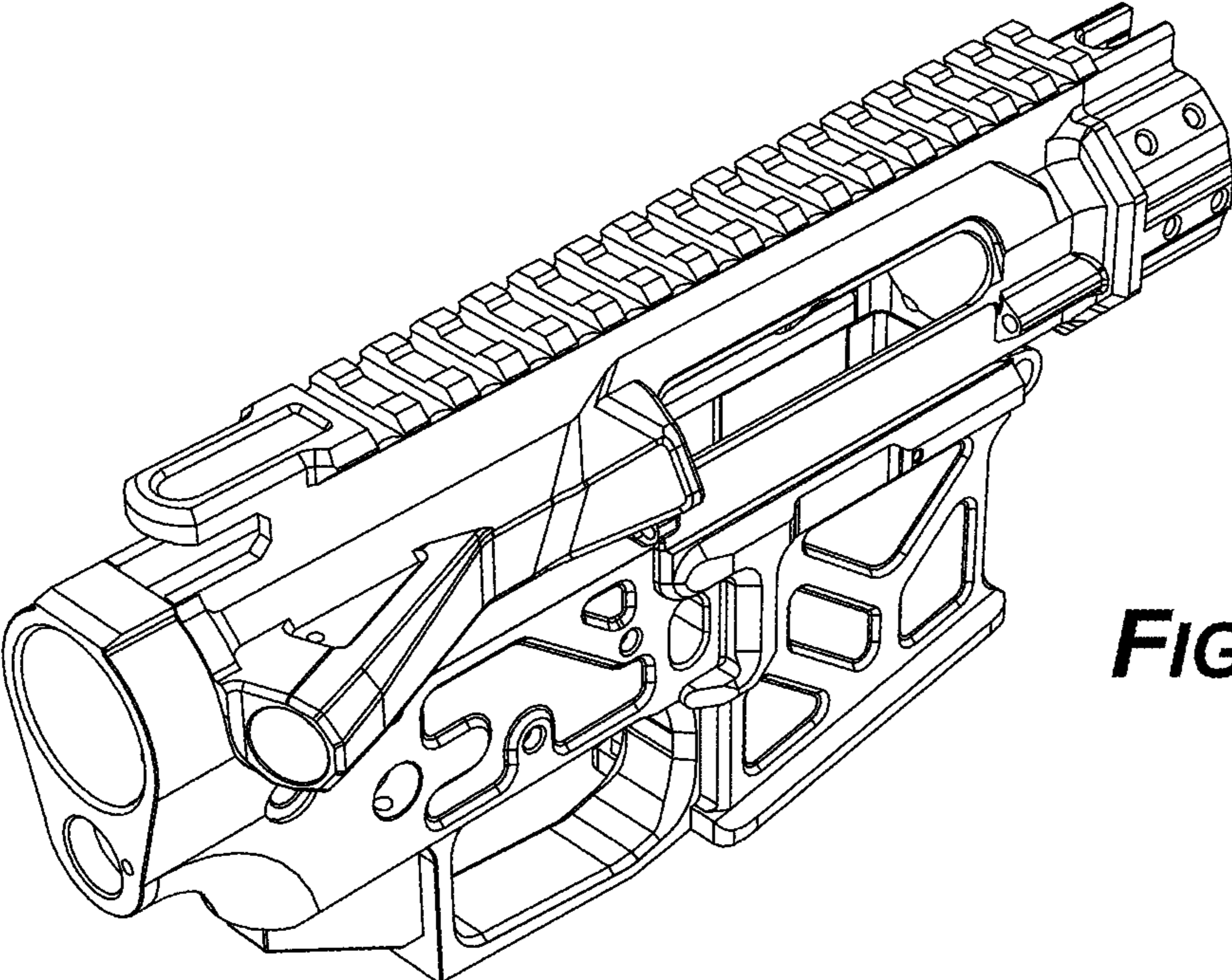
D833,563	S	*	11/2018	Snively	.....	D22/108
D834,112	S	*	11/2018	Chu	.....	D21/573
D835,225	S	*	12/2018	Podgurny	.....	D22/108
D841,109	S	*	2/2019	Cross	.....	D22/108
D849,175	S	*	5/2019	Willits	.....	D22/108
D855,138	S	*	7/2019	Cheng	.....	D22/108
10,386,139	B1	*	8/2019	Sharps	.....	F41A 11/02
D860,373	S	*	9/2019	Willits	.....	D22/108
D861,115	S	*	9/2019	Podgurny	.....	D22/108
2016/0018181	A1	*	1/2016	Swadener	.....	F41A 35/06
						42/90

\* cited by examiner

**FIG. 1**

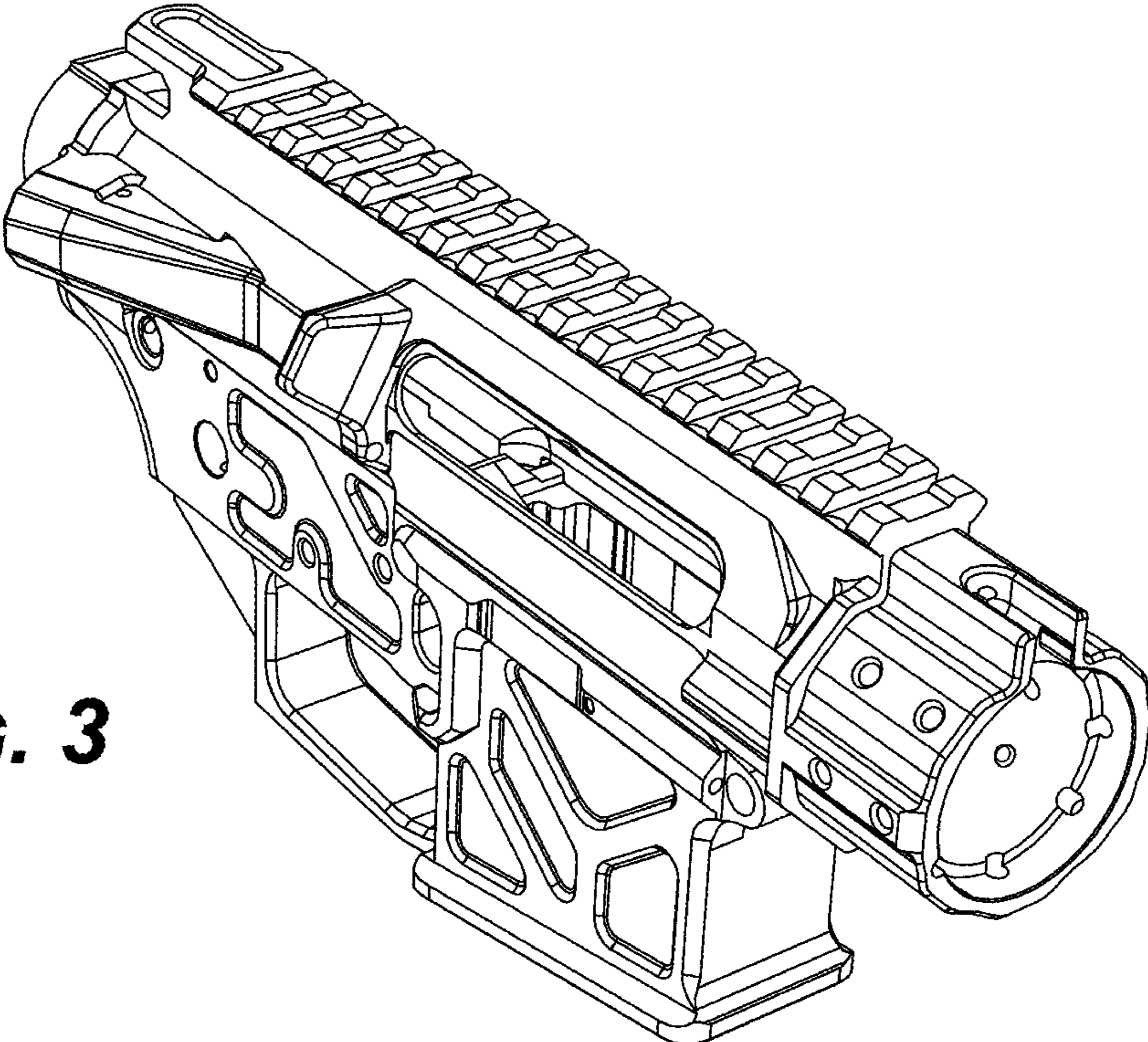


**FIG. 2**

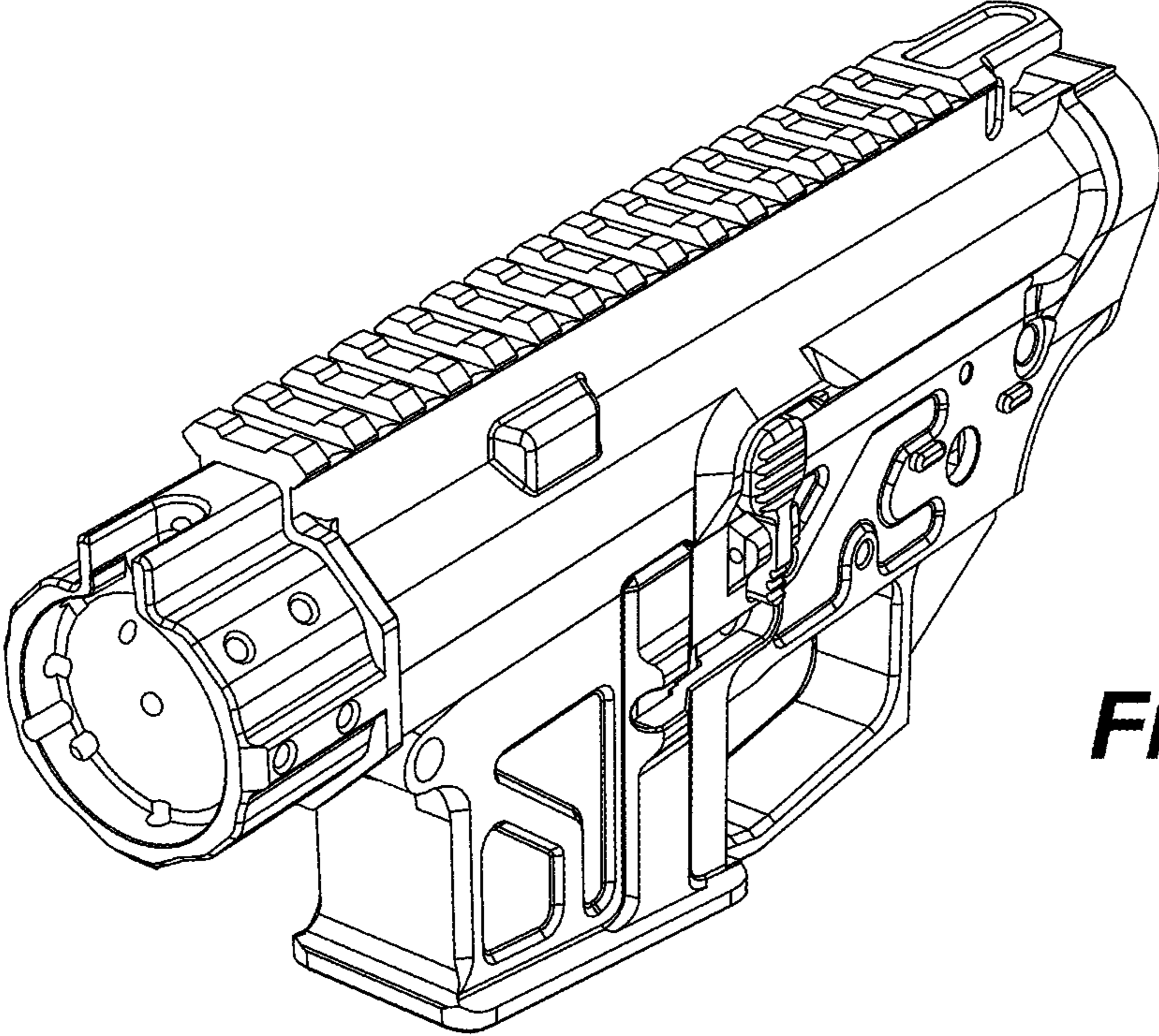




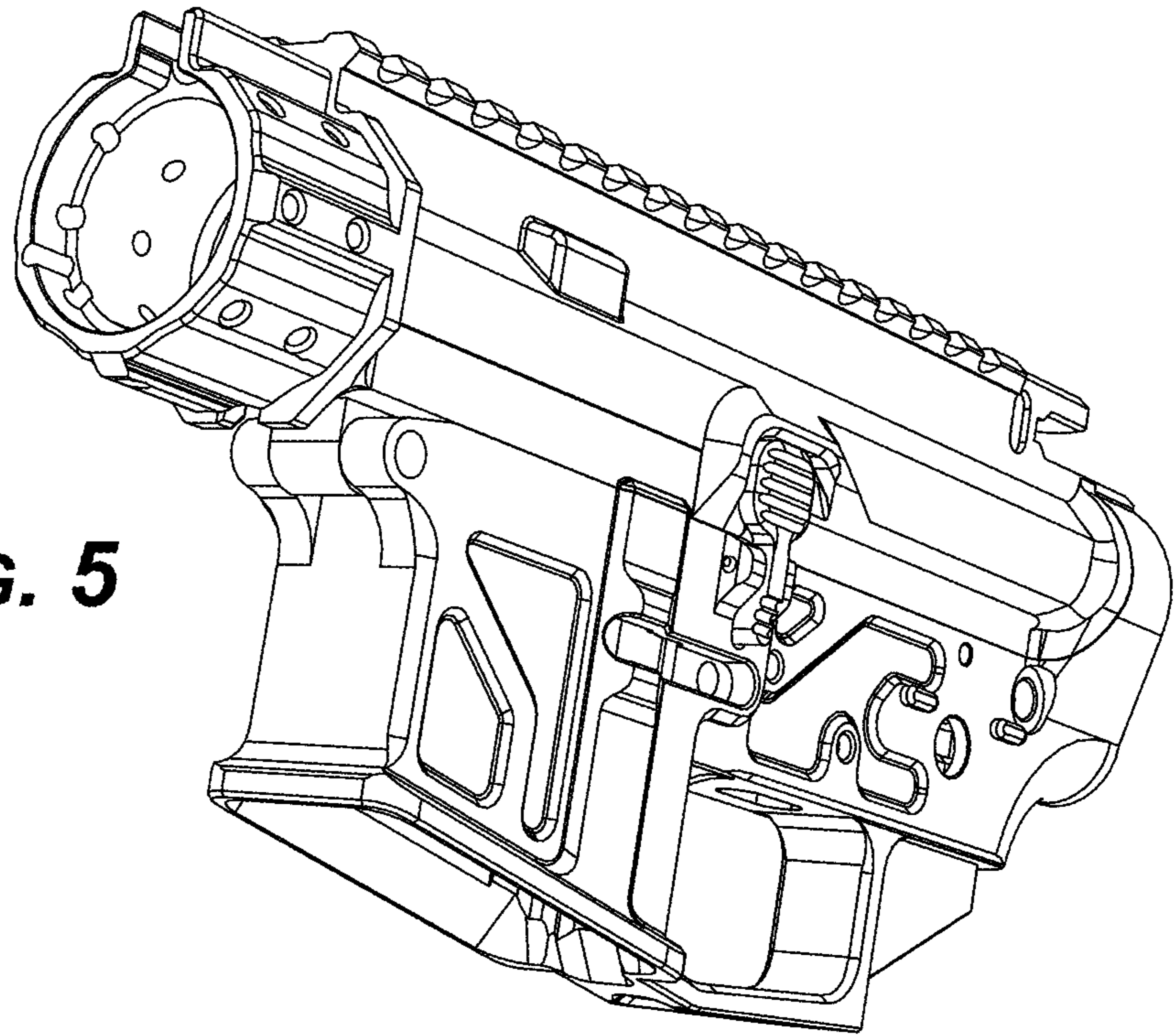
**FIG. 3**



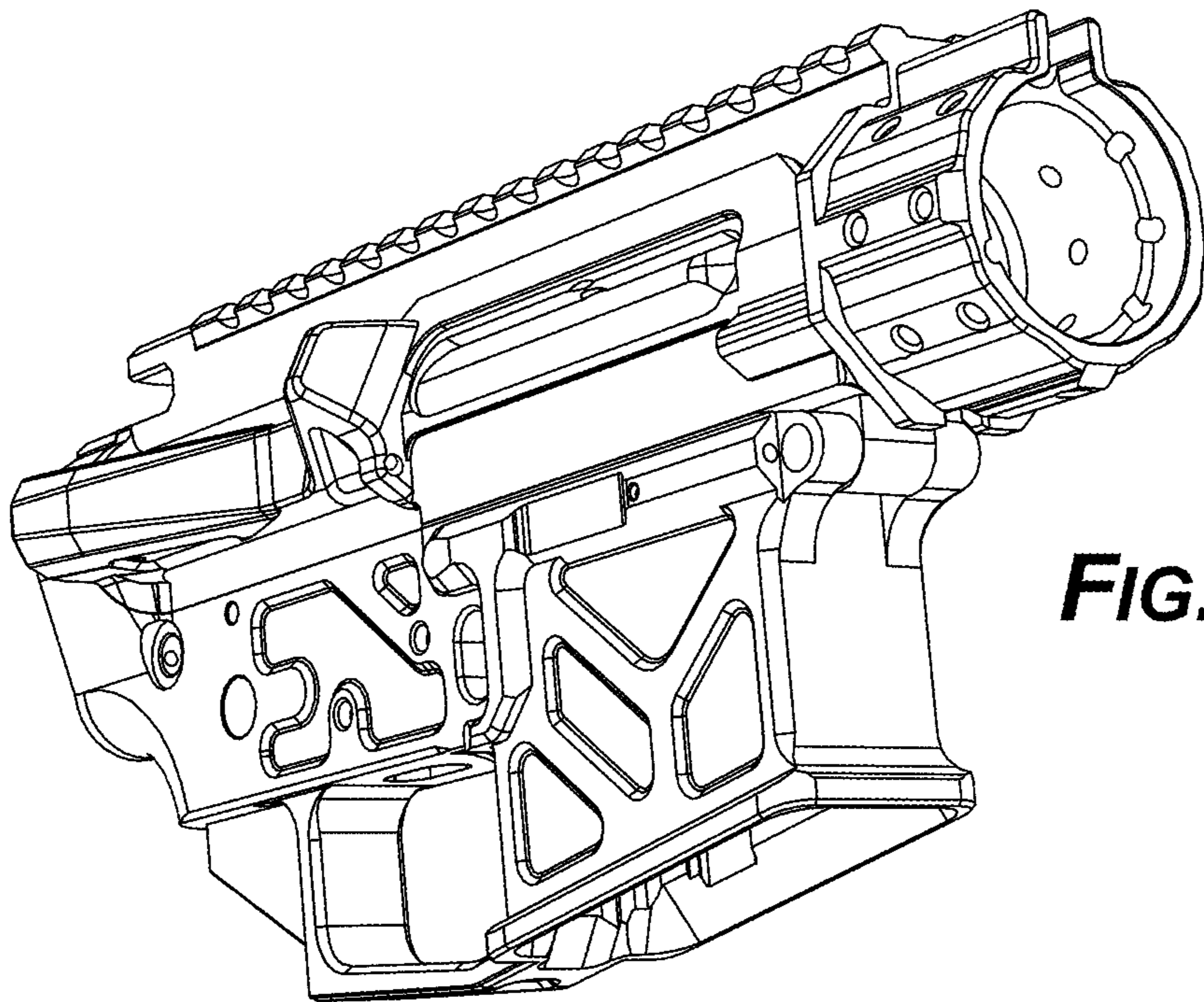
**FIG. 4**



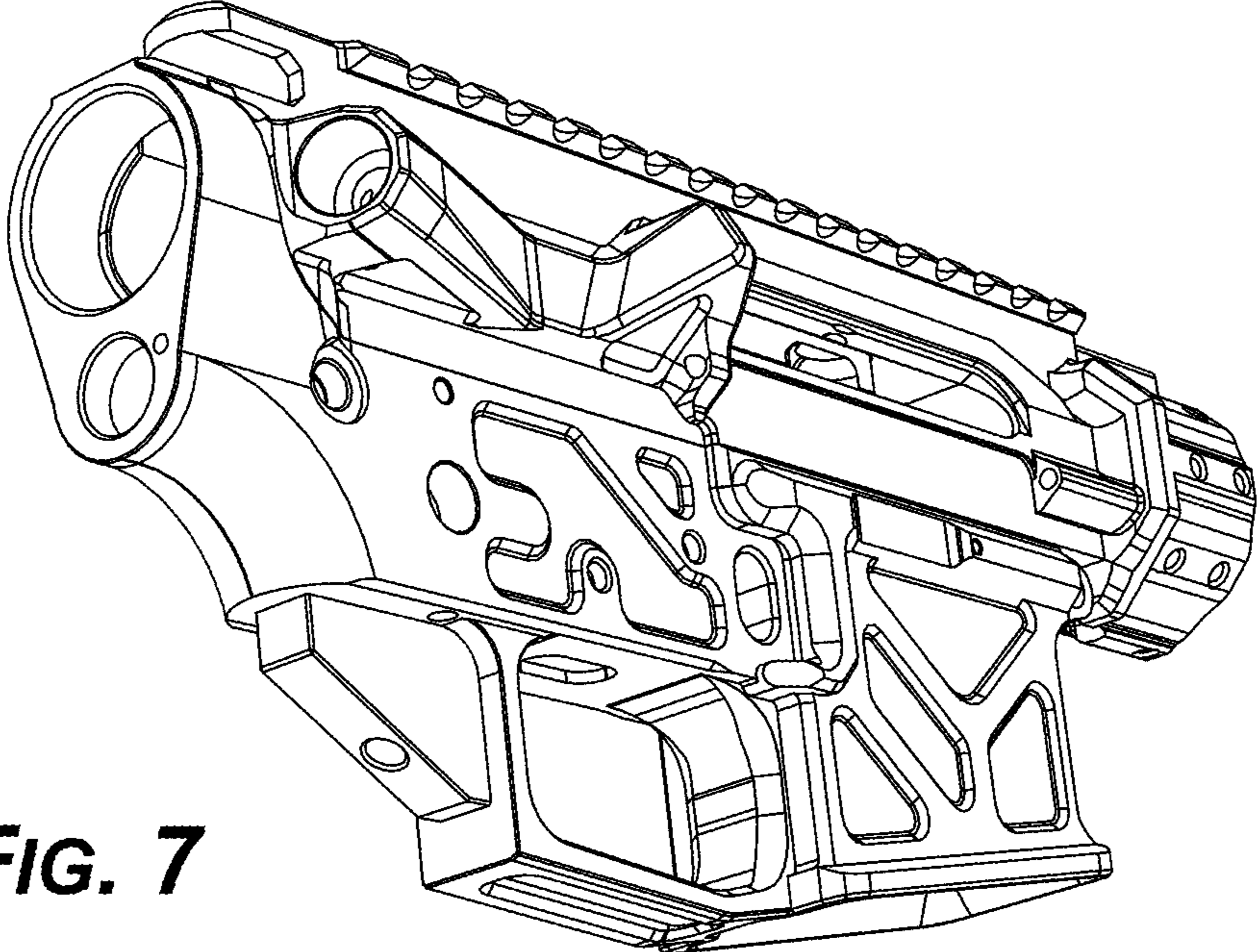
**FIG. 5**



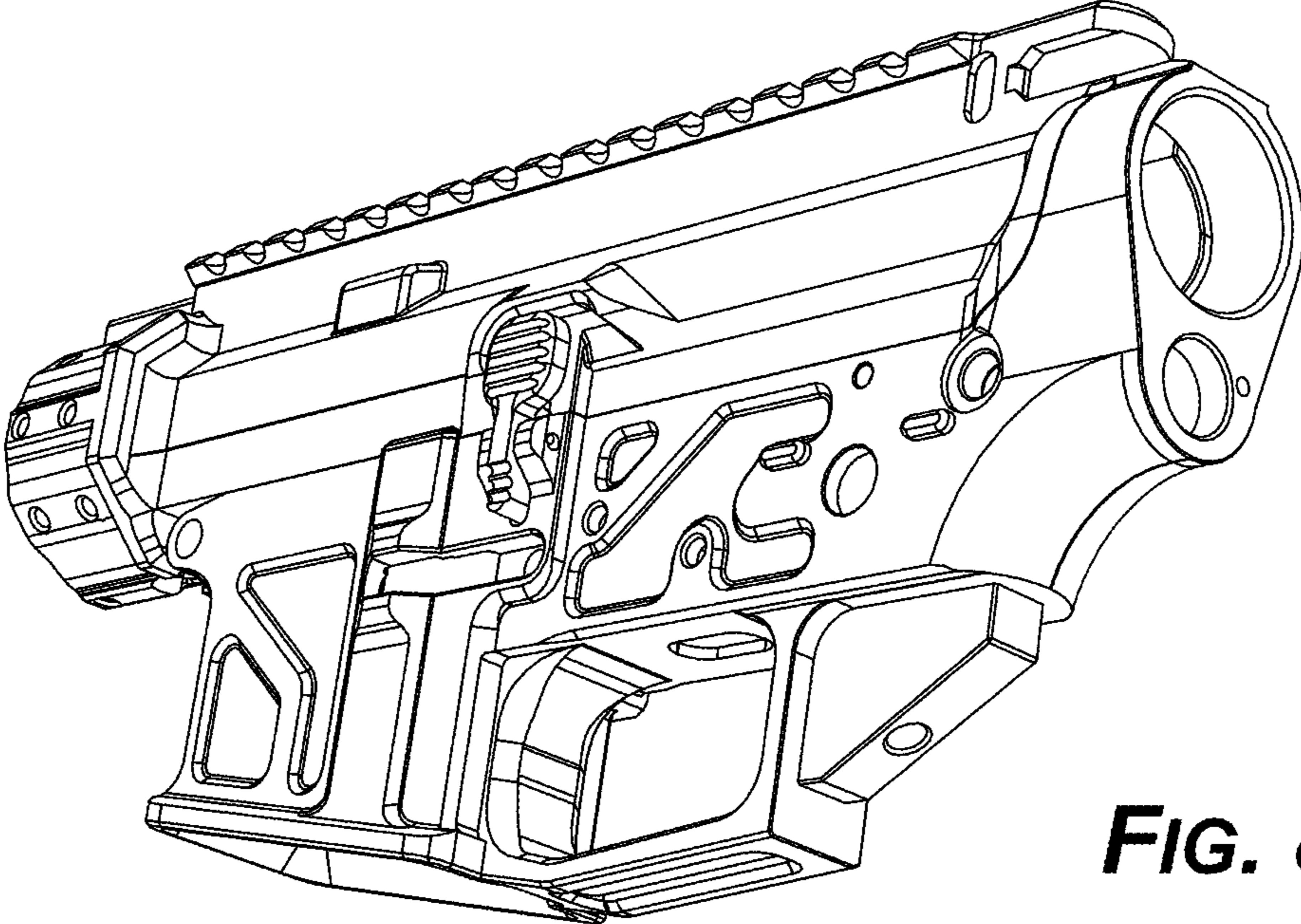
**FIG. 6**



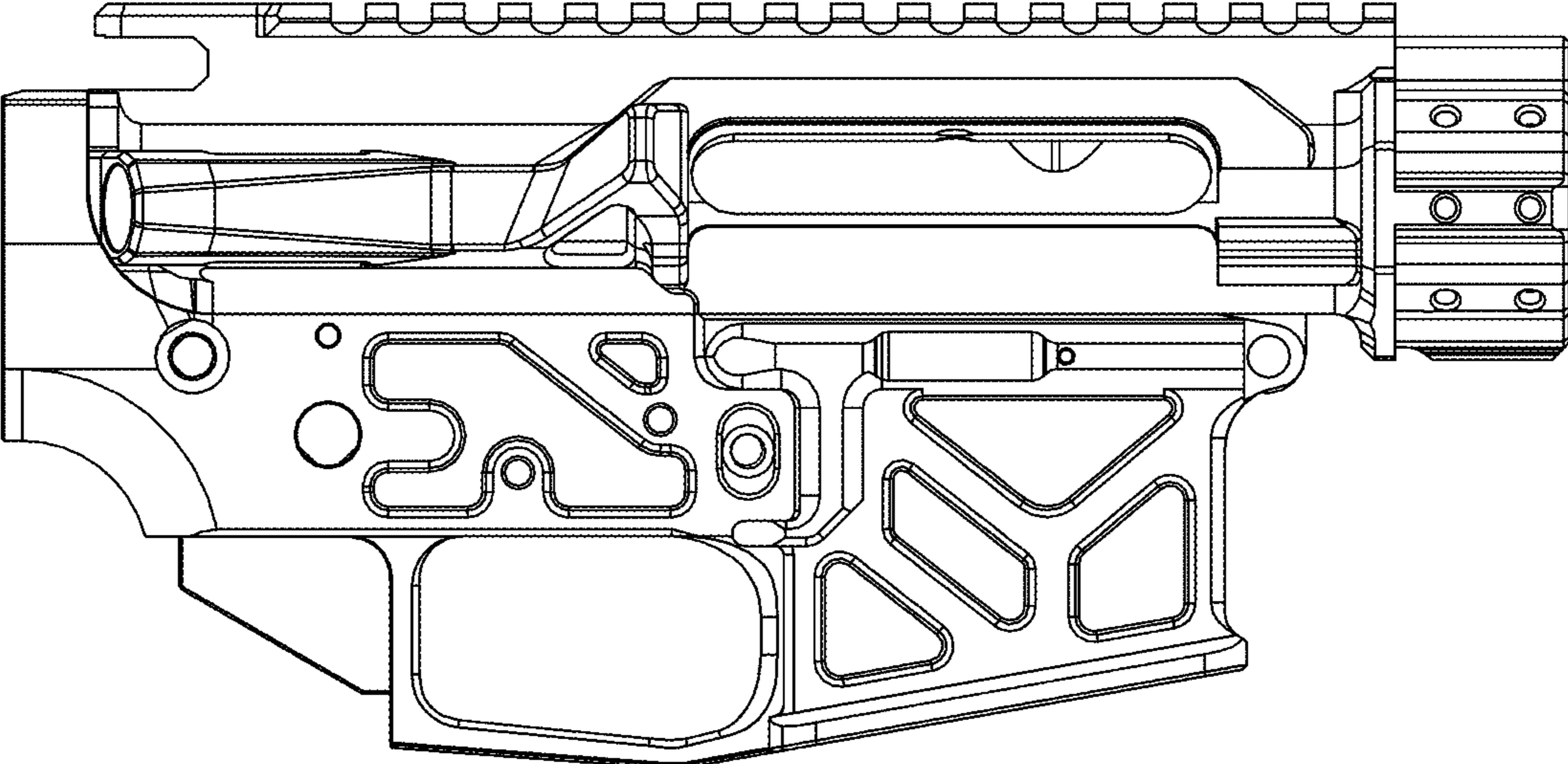




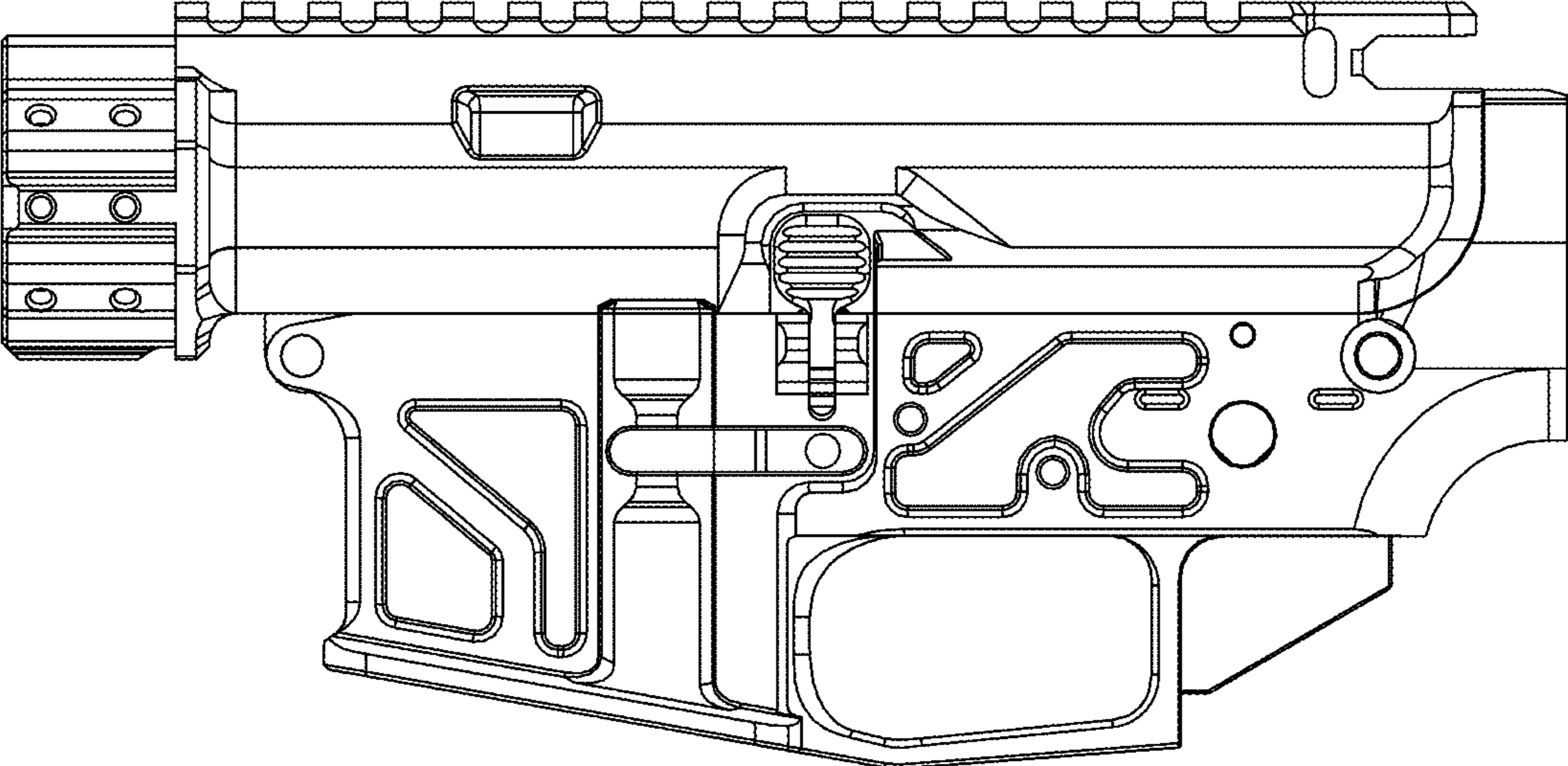
**FIG. 7**



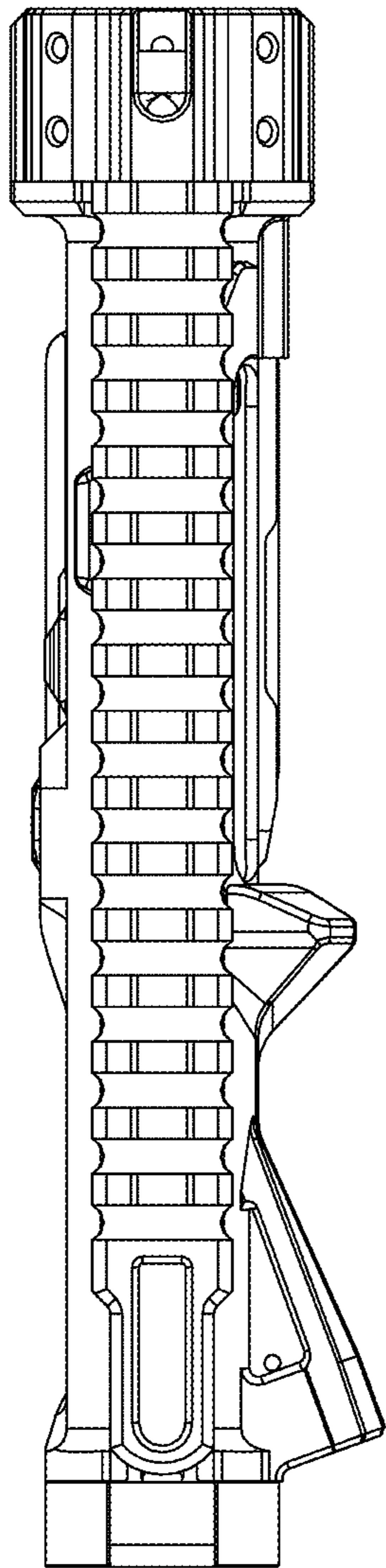
**FIG. 8**



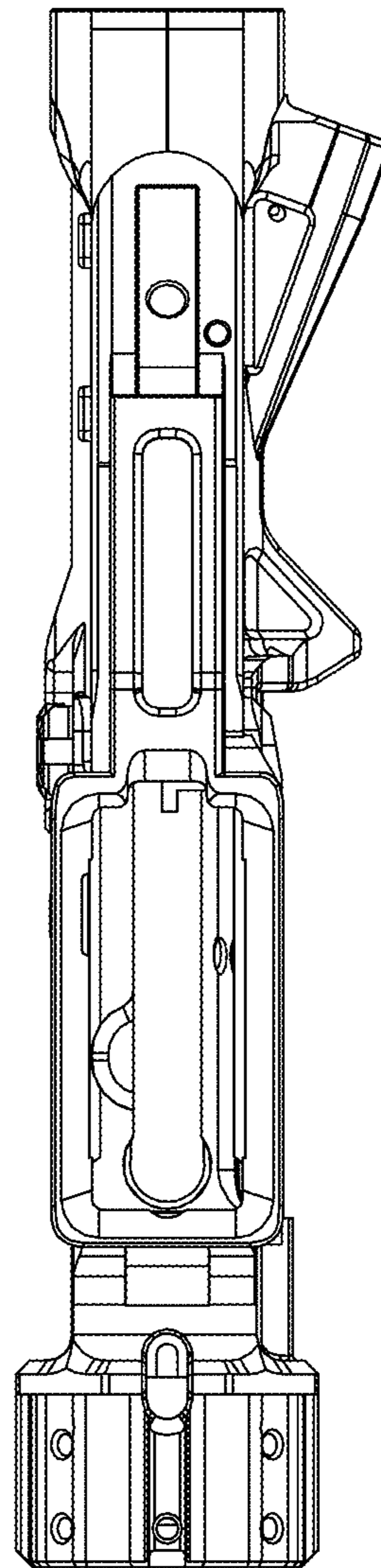
**FIG. 9**



**FIG. 10**

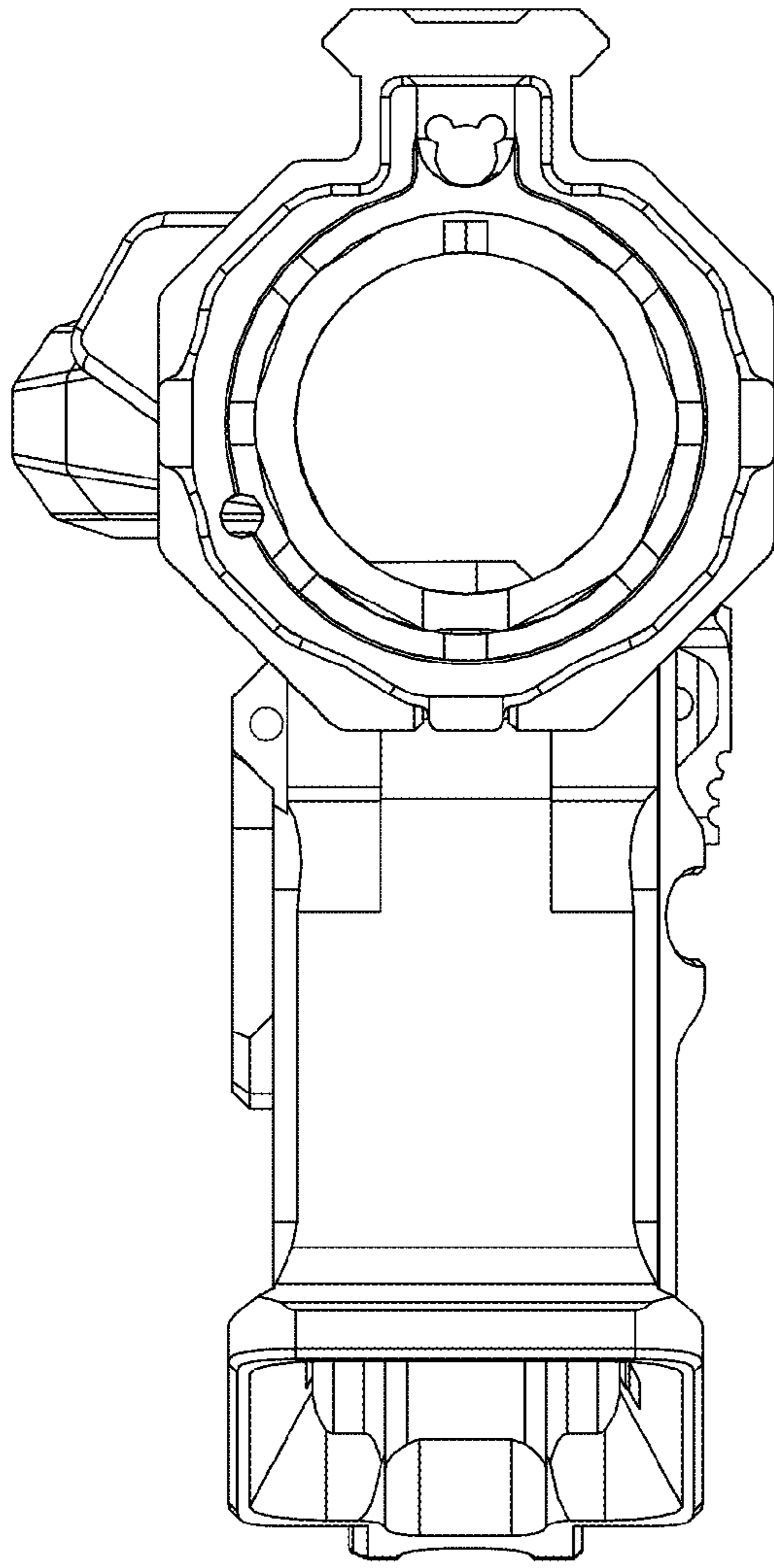


**FIG. 11**

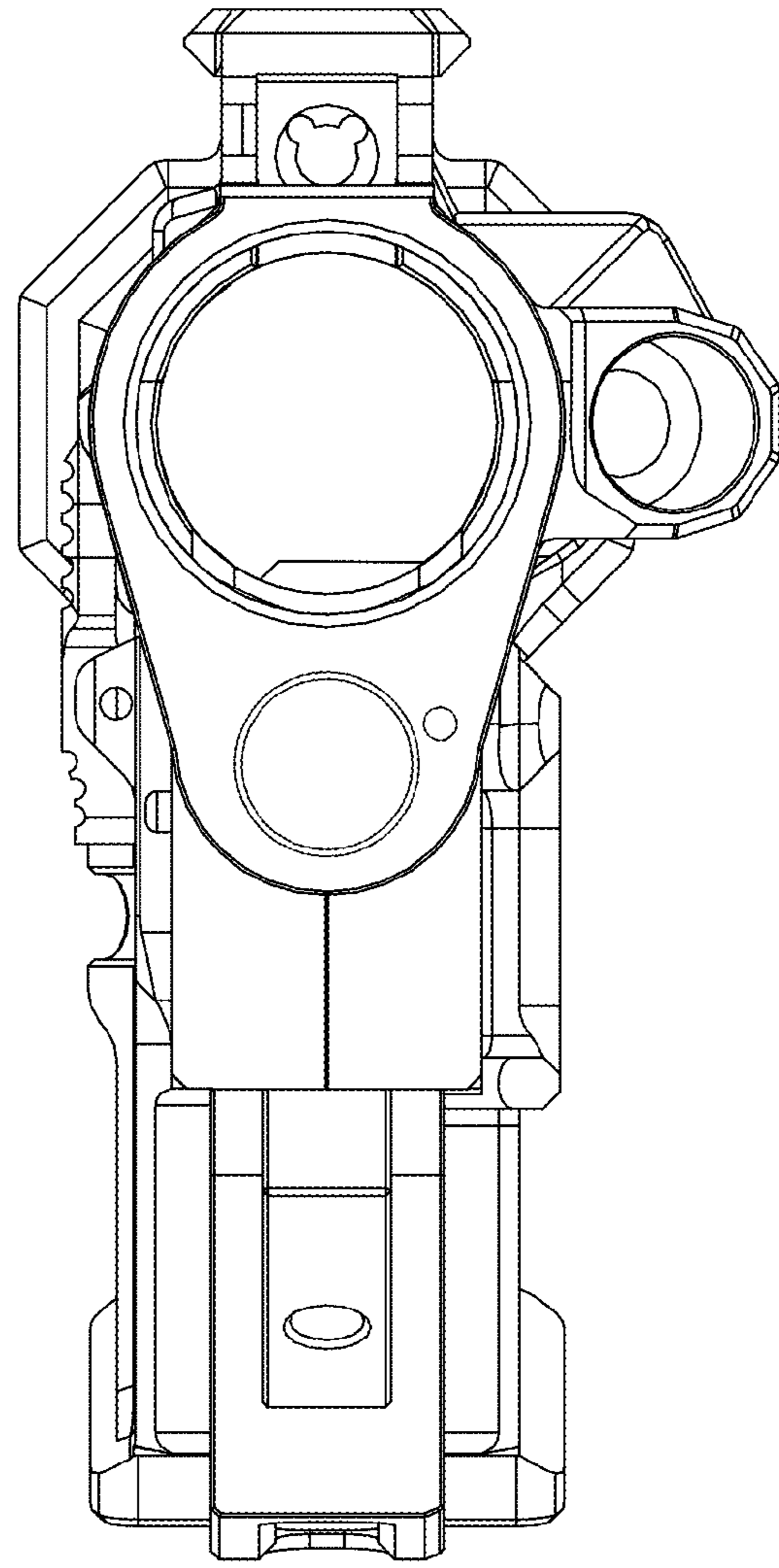


**FIG. 12**





**FIG. 13**



**FIG. 14**