



US00D886935S

(12) **United States Design Patent**
Shepard, Jr. et al.

(10) **Patent No.:** **US D886,935 S**
(45) **Date of Patent:** **** Jun. 9, 2020**

(54) **HANDGUN FRAME CONVERSION ADAPTER**

(71) Applicant: **Lone Wolf Distributors, Inc.**, Priest River, ID (US)

(72) Inventors: **Daniel Shepard, Jr.**, Priest River, ID (US); **Robert Hansel**, Priest River, ID (US); **Zachary Carlson**, Priest River, ID (US); **Daniel Shepard, III**, Priest River, ID (US); **Matthew Vernon**, Priest River, ID (US)

(73) Assignee: **Lone Wolf Distributors, Inc.**, Priest River, ID (US)

(**) Term: **15 Years**

(21) Appl. No.: **29/668,642**

(22) Filed: **Oct. 31, 2018**

(51) **LOC (12) Cl.** **22-01**

(52) **U.S. Cl.**
USPC **D22/108**

(58) **Field of Classification Search**
USPC D22/108; D8/349, 352, 354, 380
CPC F41A 3/86; F41C 3/00
See application file for complete search history.

(56) **References Cited**

U.S. PATENT DOCUMENTS

4,031,808 A * 6/1977 Raville F41A 3/86
89/163
D776,224 S * 1/2017 Storch D22/108

2017/0191769 A1* 7/2017 Martindill F41C 3/00
2017/0205173 A1* 7/2017 Thomas F41A 3/40
2018/0347926 A1* 12/2018 Lopatin F41A 5/02
2019/0024996 A1* 1/2019 Borges F41A 3/54
2019/0257607 A1* 8/2019 Dobrinescu F41A 21/30
2020/0041890 A1* 2/2020 Peel G03B 29/00

* cited by examiner

Primary Examiner — Michael A. Pratt
(74) *Attorney, Agent, or Firm* — Wells St. John P.S.

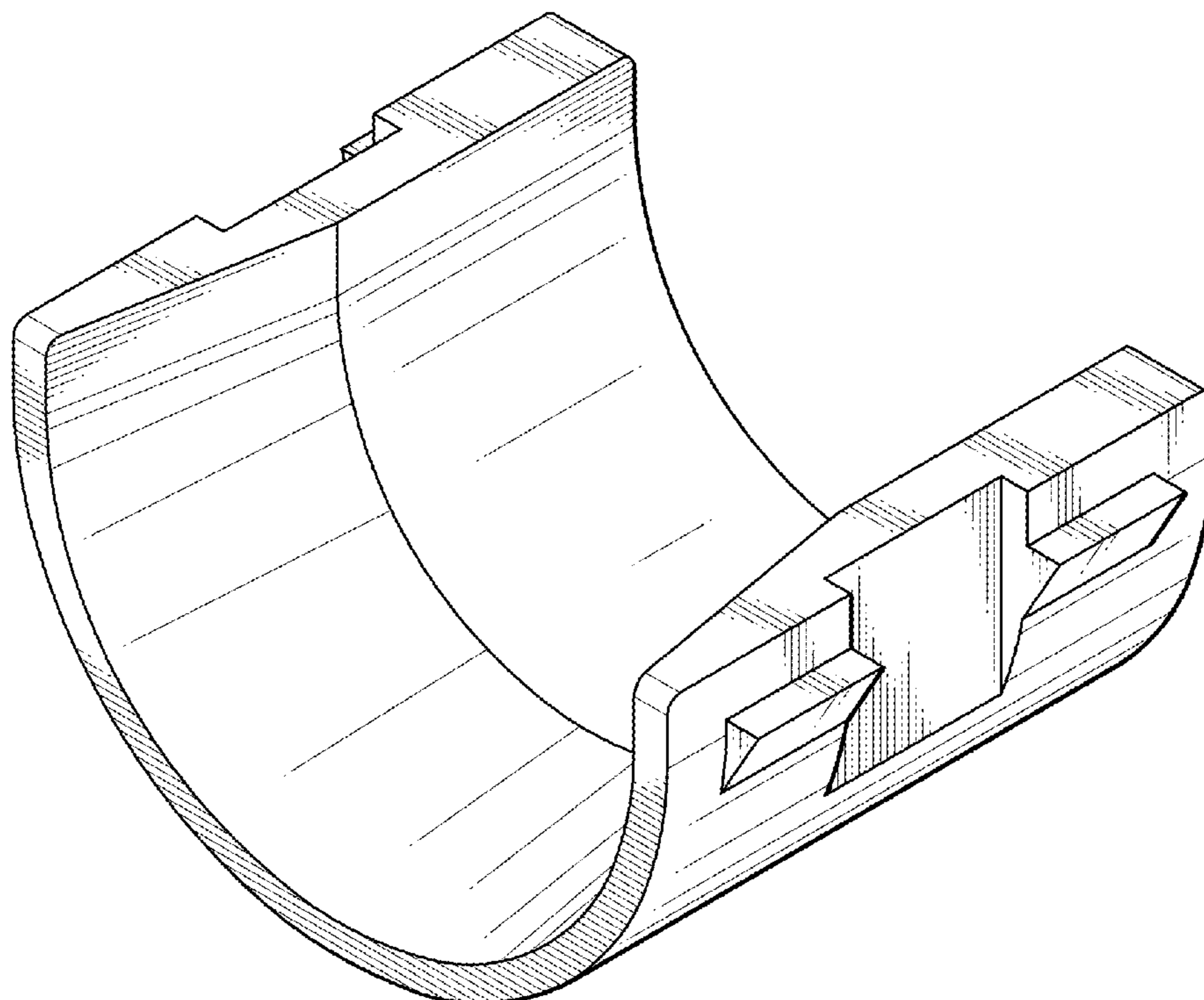
(57) **CLAIM**

We claim the ornamental design for handgun frame conversion adapter, as shown and described.

DESCRIPTION

FIG. 1 is a perspective view of the handgun frame conversion adapter used in practicing this invention;
FIG. 2 is a rear-end view of the embodiment of the conversion adapter shown in FIG. 1;
FIG. 3 is a left side-view, and also a right side-view, of the embodiment of the conversion adapter shown in FIG. 1;
FIG. 4 is a front end view of the embodiment of the conversion adapter shown in FIG. 1;
FIG. 5 is a top view of the embodiment of the conversion adapter shown in FIG. 1; and,
FIG. 6 is a bottom view of the embodiment of the conversion adapter shown in FIG. 1.

1 Claim, 6 Drawing Sheets



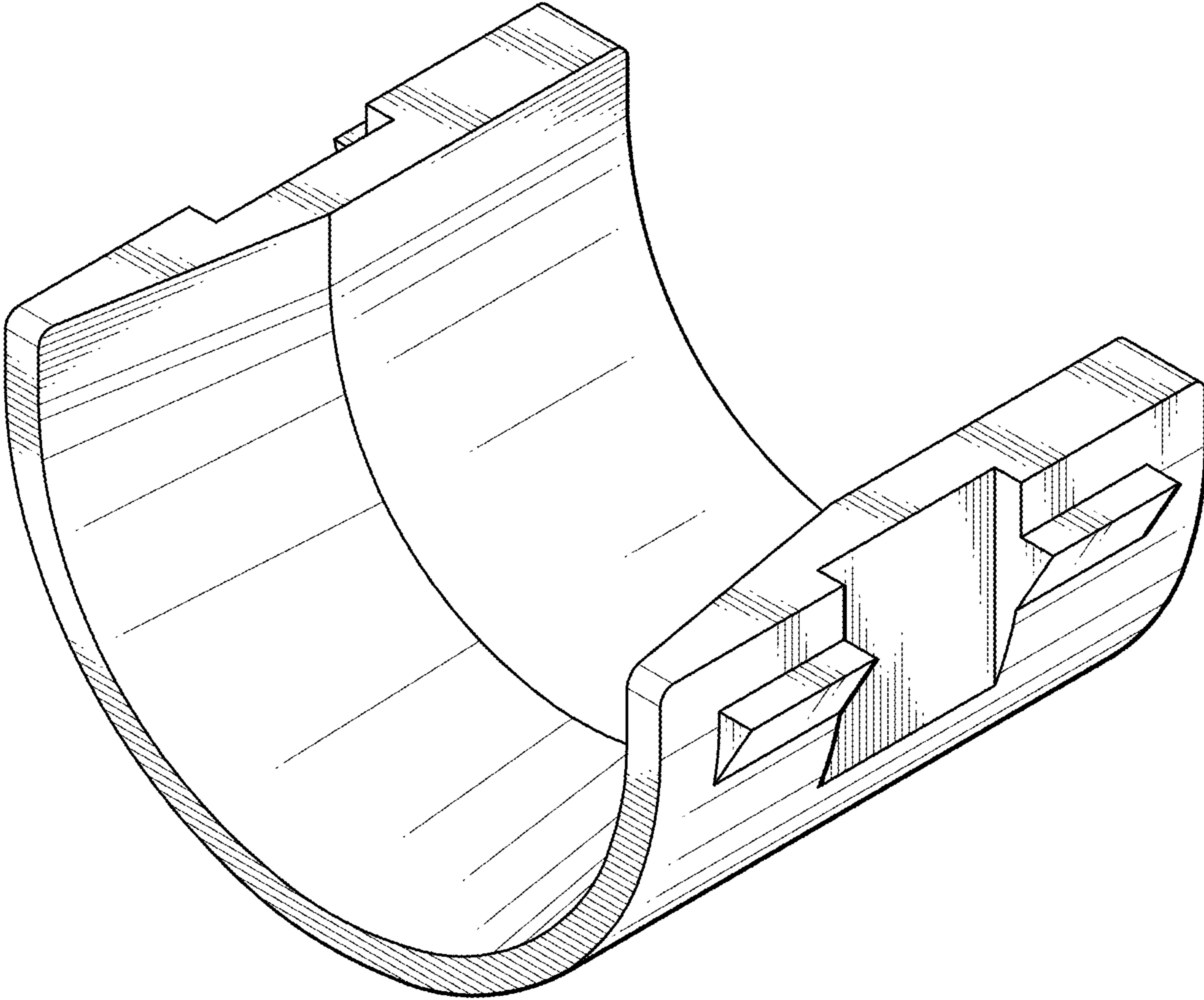


FIG. 1

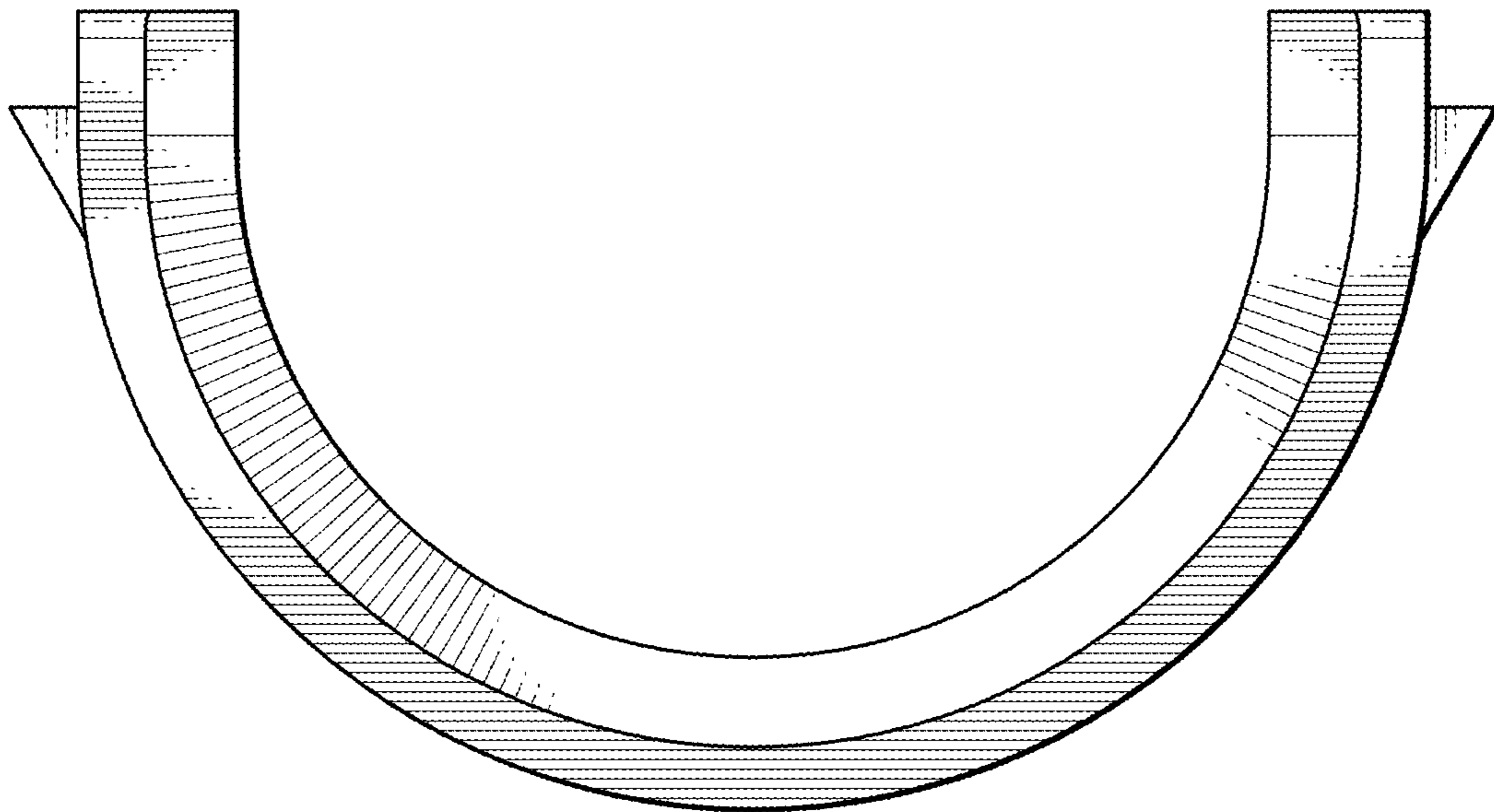


FIG. 2

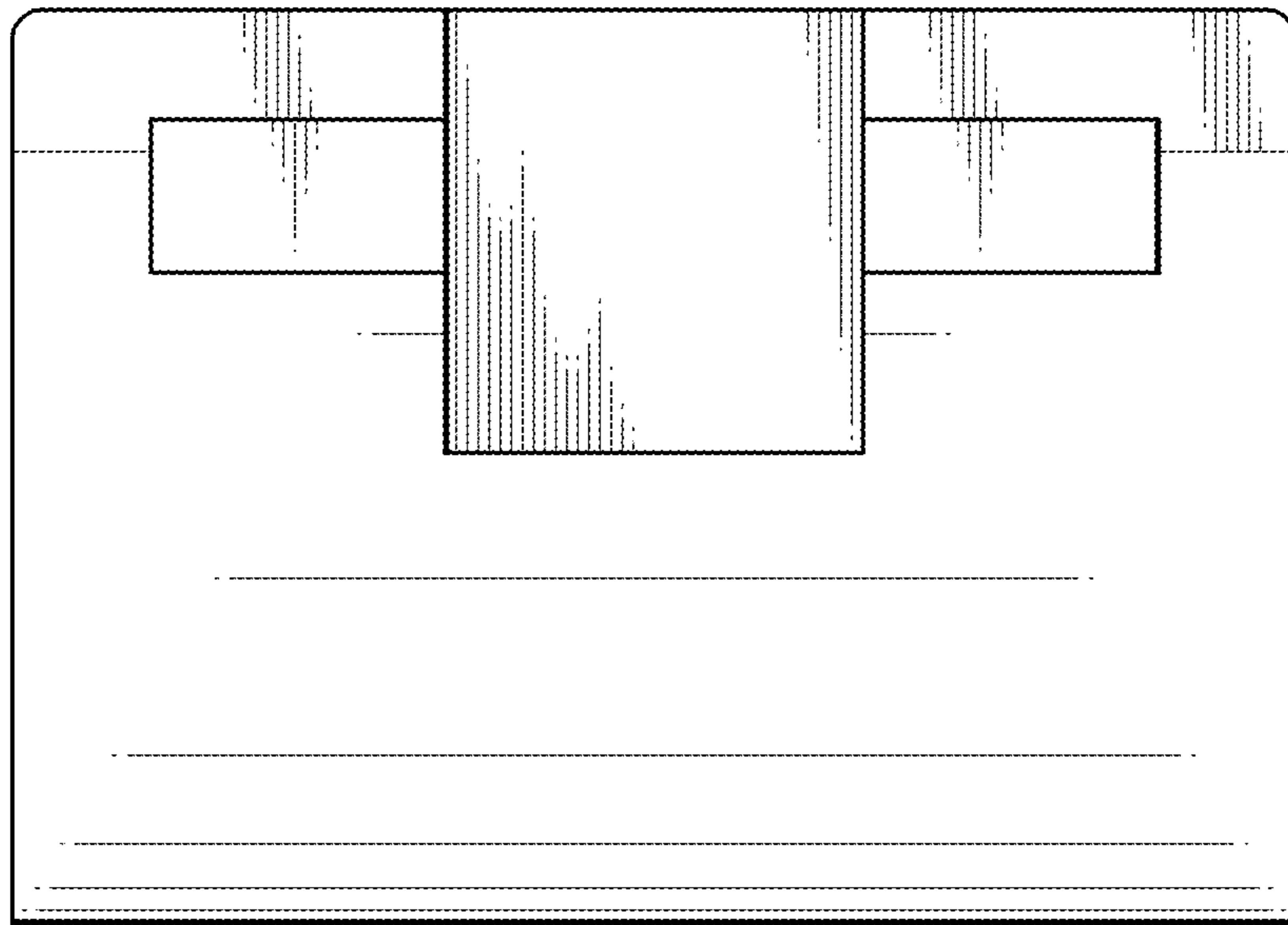


FIG. 3

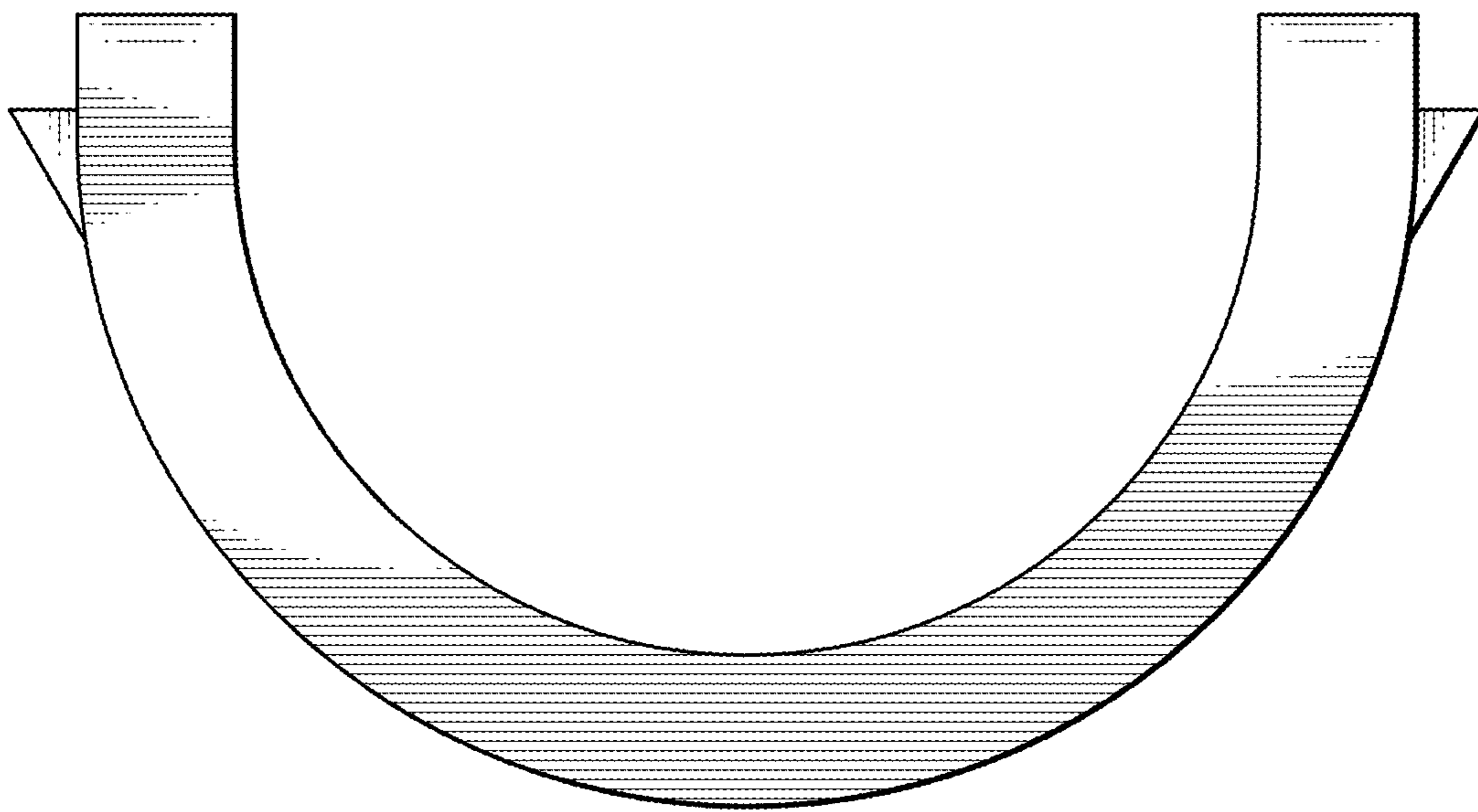


FIG. 4

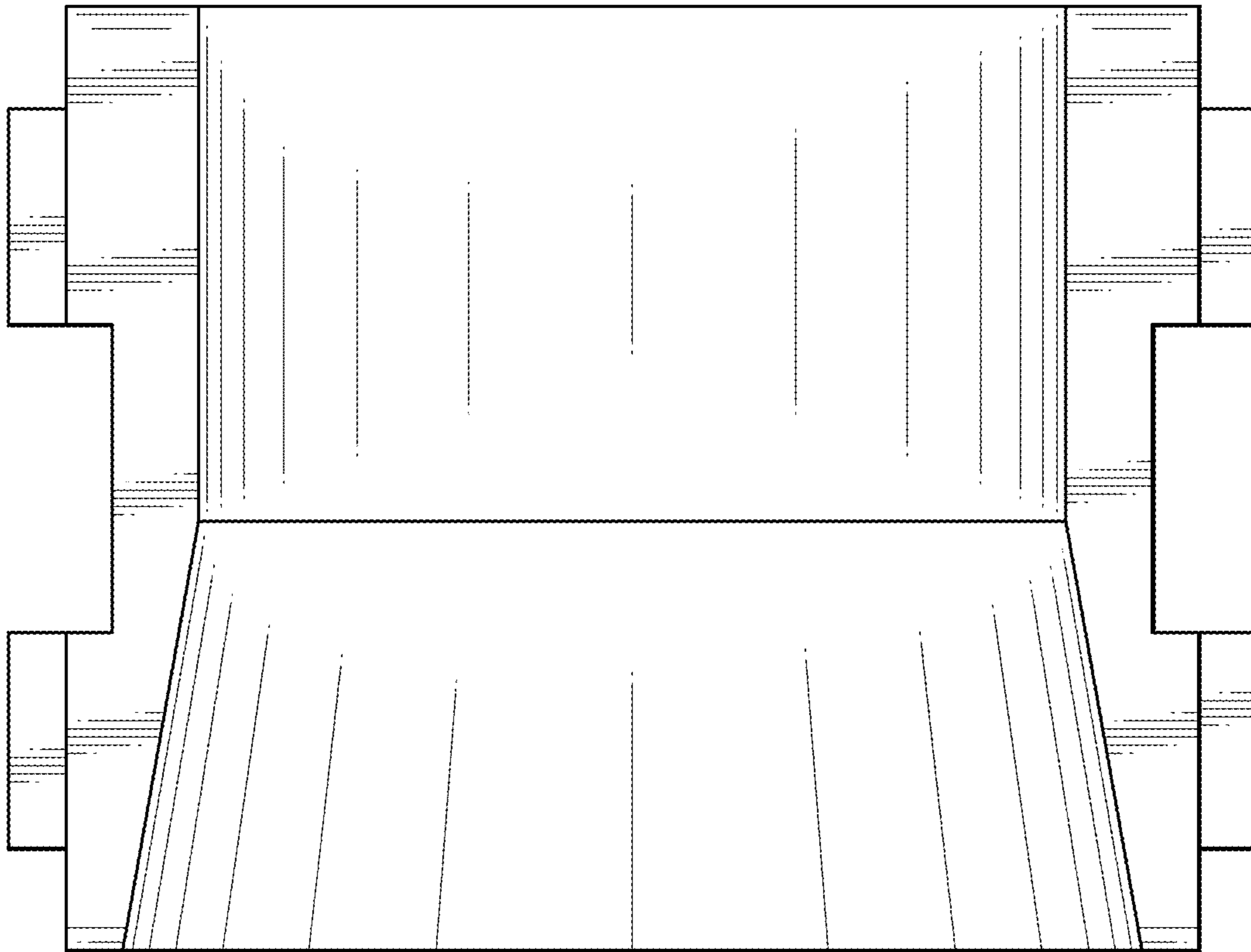


FIG. 5

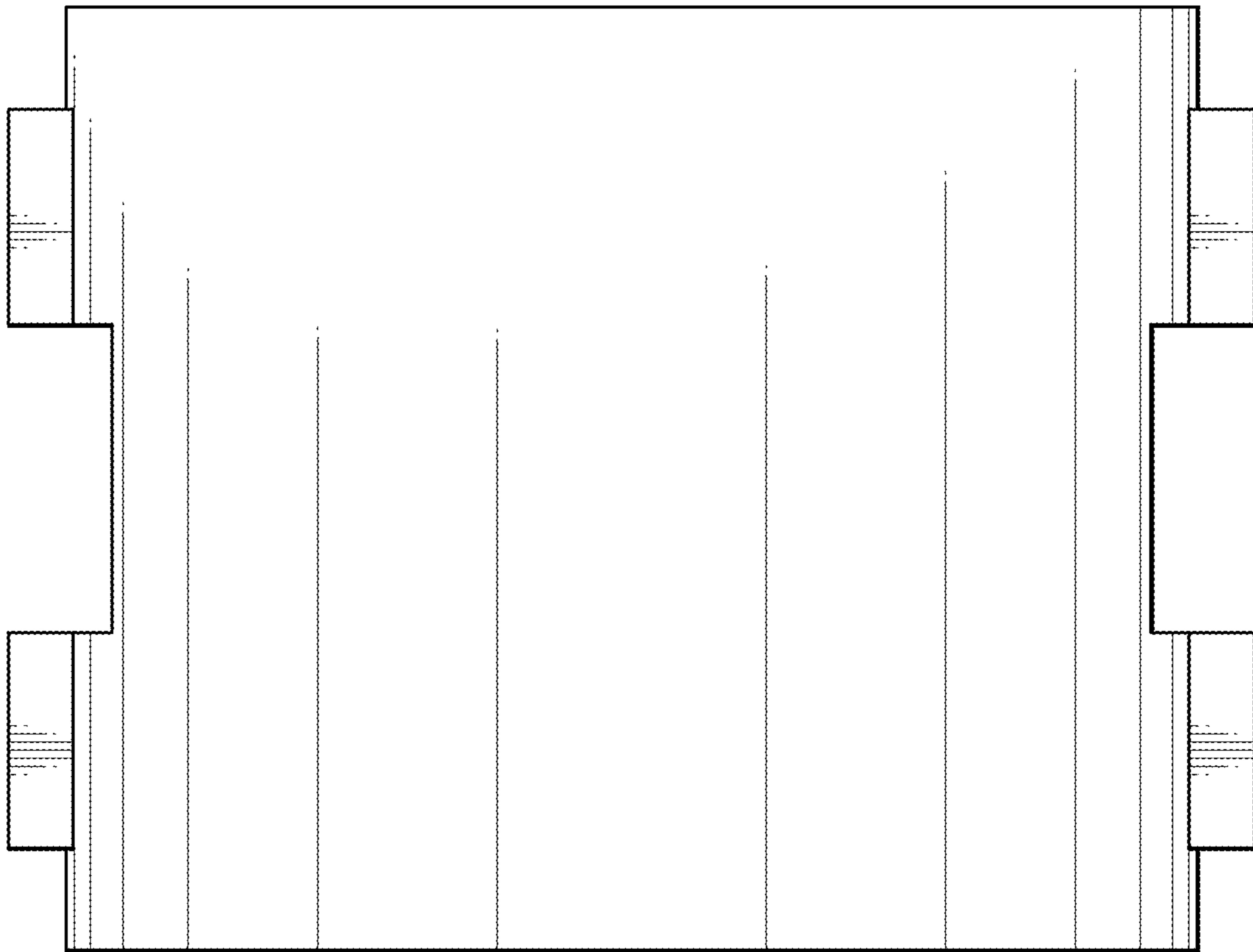


FIG. 6