



US00D886934S

(12) **United States Design Patent**
Geissele

(10) **Patent No.:** **US D886,934 S**

(45) **Date of Patent:** **** Jun. 9, 2020**

(54) **FIREARM TAKEDOWN PIN**

(71) Applicant: **WHG Properties, LLC**, North Wales, PA (US)

(72) Inventor: **William H. Geissele**, Lower Gwynedd, PA (US)

(73) Assignee: **WHG Properties, LLC**, North Wales, PA (US)

(**) Term: **15 Years**

(21) Appl. No.: **29/667,048**

(22) Filed: **Oct. 18, 2018**

(51) **LOC (12) Cl.** **22-01**

(52) **U.S. Cl.**
USPC **D22/108**

(58) **Field of Classification Search**
USPC D22/108
CPC F41A 3/44; F41A 17/60; F41C 27/00
See application file for complete search history.

(56) **References Cited**

U.S. PATENT DOCUMENTS

| | | | | |
|-------------------|---------|-----------|-------|------------------------|
| D757,877 S * | 5/2016 | Huang | | D22/108 |
| D762,804 S * | 8/2016 | Gardner | | D22/108 |
| 9,435,595 B2 * | 9/2016 | Azhocar | | F41A 11/00 |
| D775,304 S * | 12/2016 | Jen | | D22/108 |
| D792,549 S * | 7/2017 | McKillips | | D22/108 |
| 10,254,059 B1 * | 4/2019 | Fellows | | F41A 3/66 |
| D851,198 S * | 6/2019 | Geissele | | D22/108 |
| D865,105 S * | 10/2019 | Oglesby | | D22/108 |
| 2015/0290775 A1 * | 10/2015 | Bennett | | B25B 1/2463 269/287 |

(Continued)

Primary Examiner — Michael A. Pratt

(74) Attorney, Agent, or Firm — Fox Rothschild LLP

(57) **CLAIM**

The ornamental design for a firearm takedown pin, as shown and described.

DESCRIPTION

FIG. 1 is a top, front, right perspective view of a firearm takedown pin in accordance with the present disclosure.

FIG. 2 is a bottom, front, left perspective view of the firearm takedown pin of FIG. 1.

FIG. 3 is a front view of the firearm takedown pin of FIG. 1.

FIG. 4 is a back view of the firearm takedown pin of FIG. 1.

FIG. 5 is a left side view of the firearm takedown pin of FIG. 1.

FIG. 6 is a right side view of the firearm takedown pin of FIG. 1.

FIG. 7 is a top view of the firearm takedown pin of FIG. 1.

FIG. 8 is a bottom view of the firearm takedown pin of FIG. 1.

FIG. 9 is another top, front, right perspective view of a firearm takedown pin in accordance with the present disclosure.

FIG. 10 is a bottom, front, left perspective view of the firearm takedown pin of FIG. 9.

FIG. 11 is a front view of the firearm takedown pin of FIG. 9.

FIG. 12 is a back view of the firearm takedown pin of FIG. 9.

FIG. 13 is a left side view of the firearm takedown pin of FIG. 9.

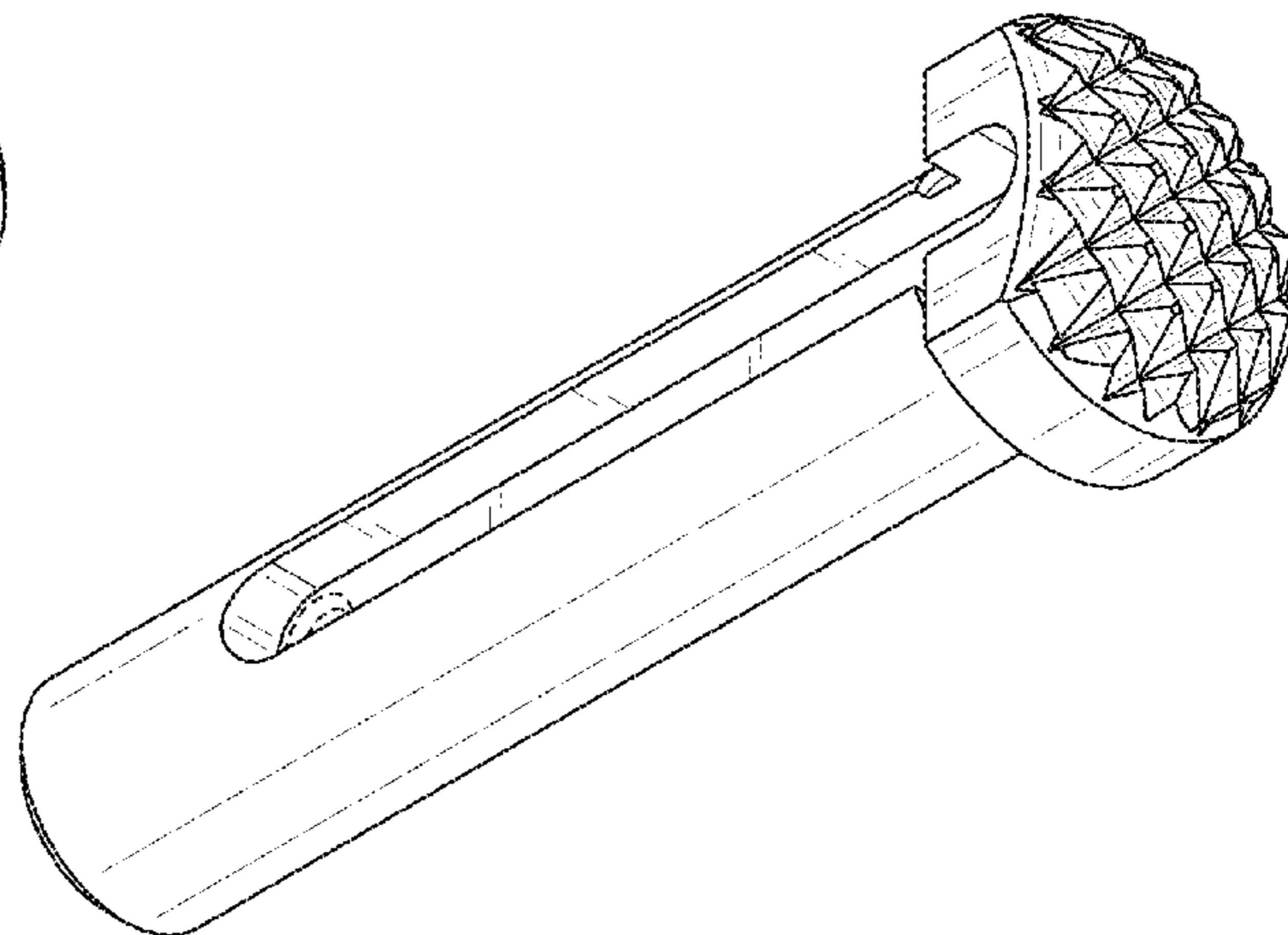
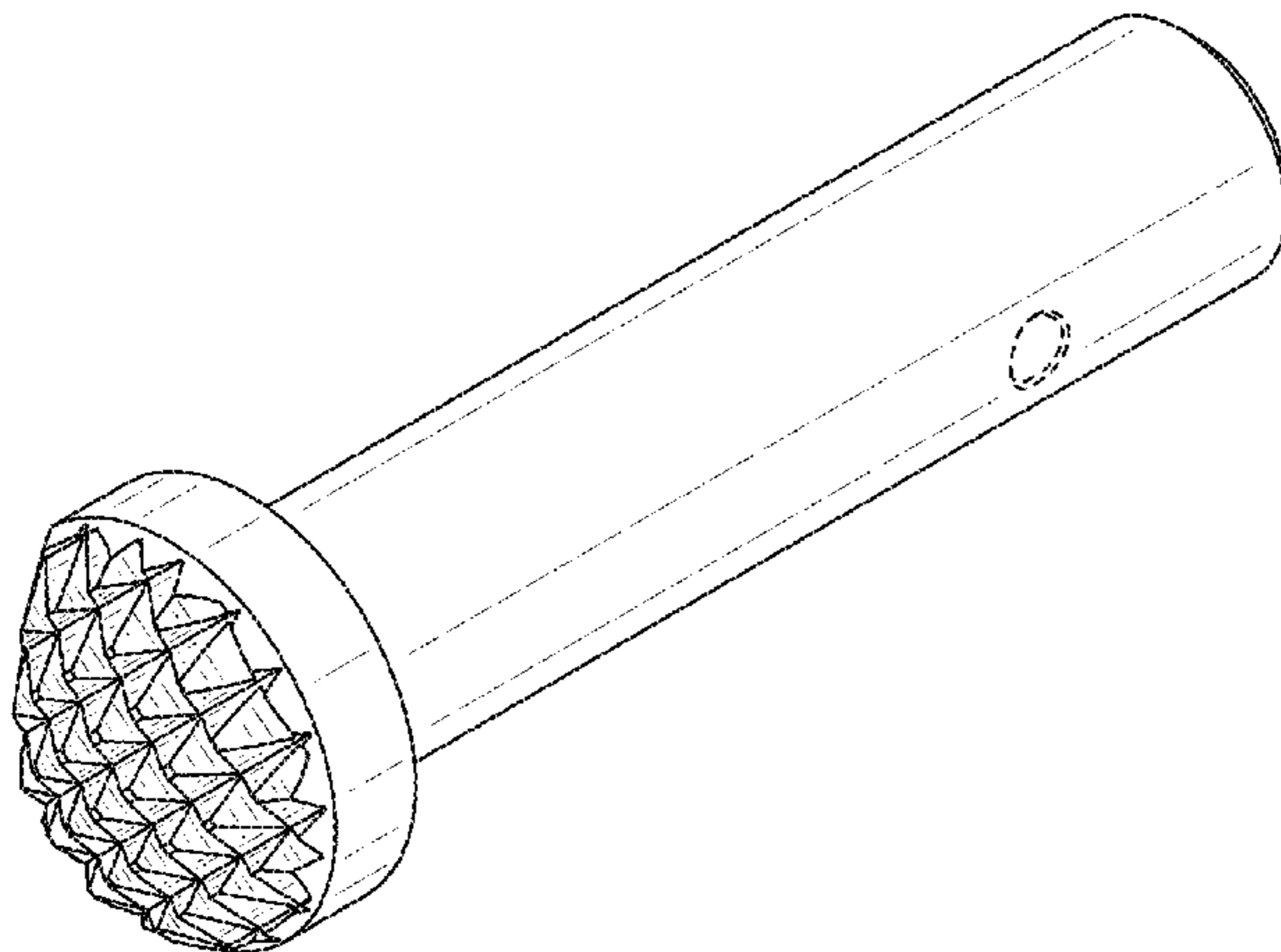
FIG. 14 is a right side view of the firearm takedown pin of FIG. 9.

FIG. 15 is a top view of the firearm takedown pin of FIG. 9; and,

FIG. 16 is a bottom view of the firearm takedown pin of FIG. 9.

The broken lines in the Figures illustrate portions of the article that form no part of the claimed design.

1 Claim, 10 Drawing Sheets



(56)

References Cited

U.S. PATENT DOCUMENTS

2015/0308768 A1* 10/2015 Mills F41A 11/04
42/75.03
2018/0245866 A1* 8/2018 Geissele F41A 3/84

* cited by examiner

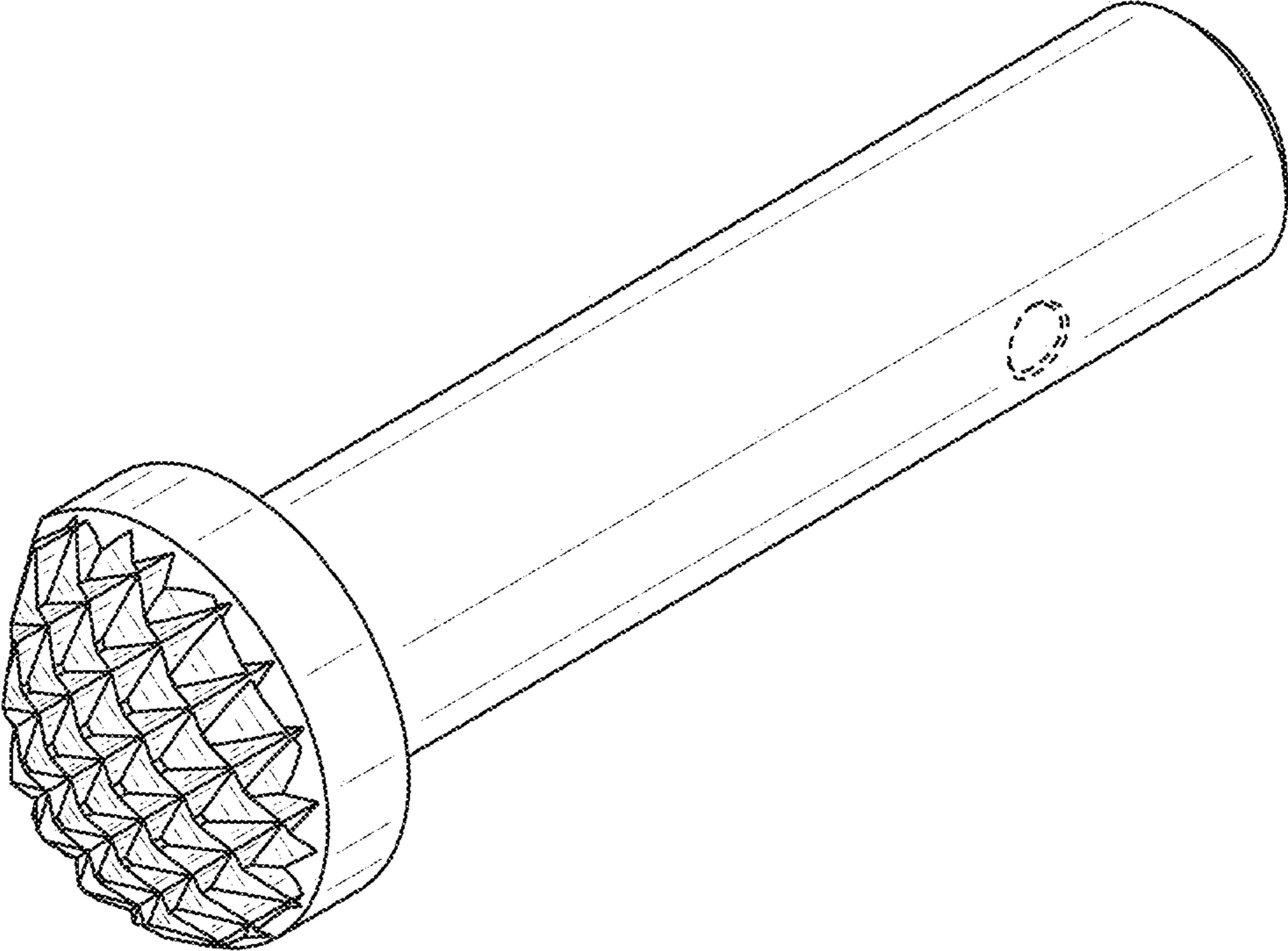


FIG. 1

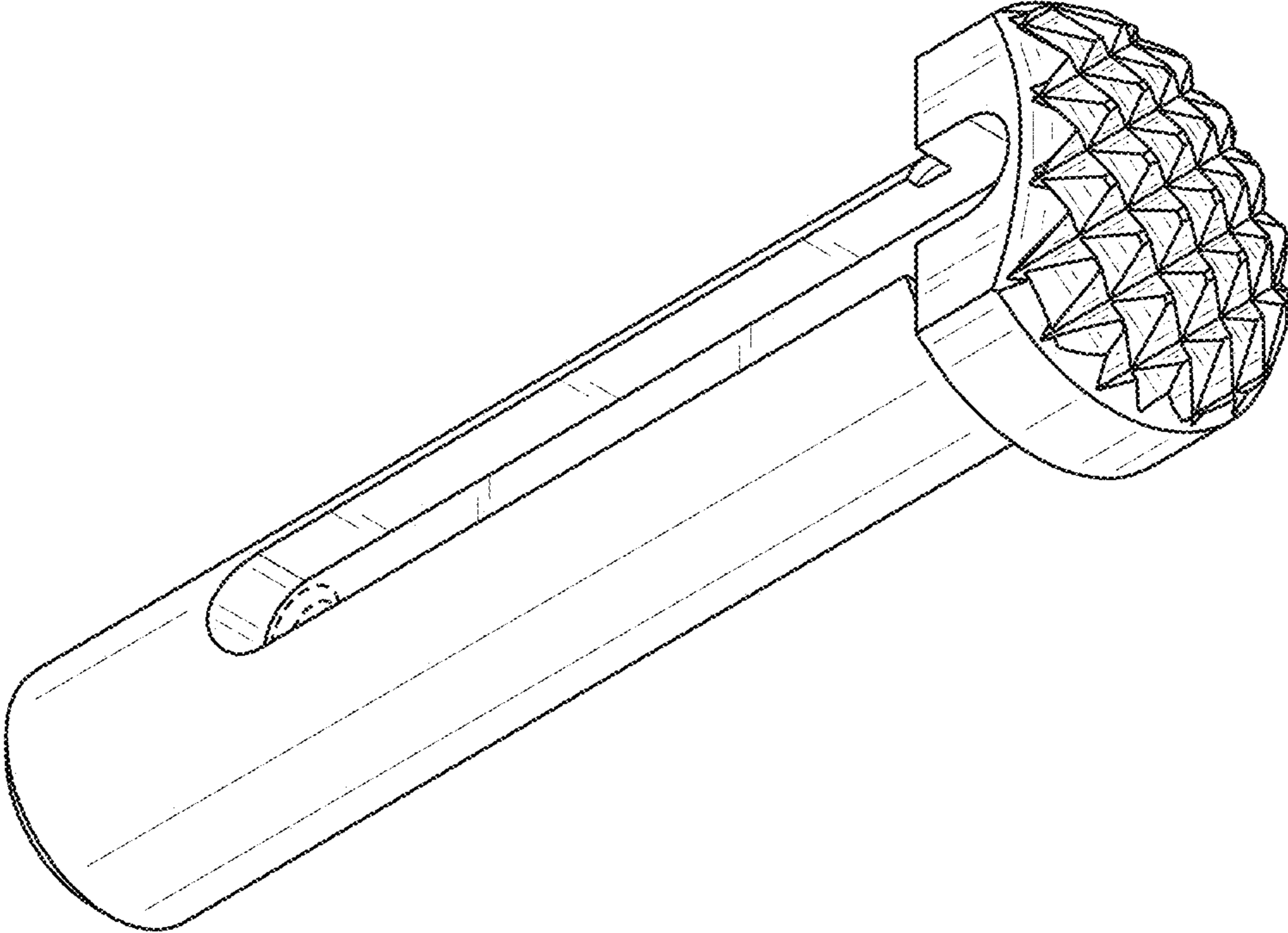


FIG. 2

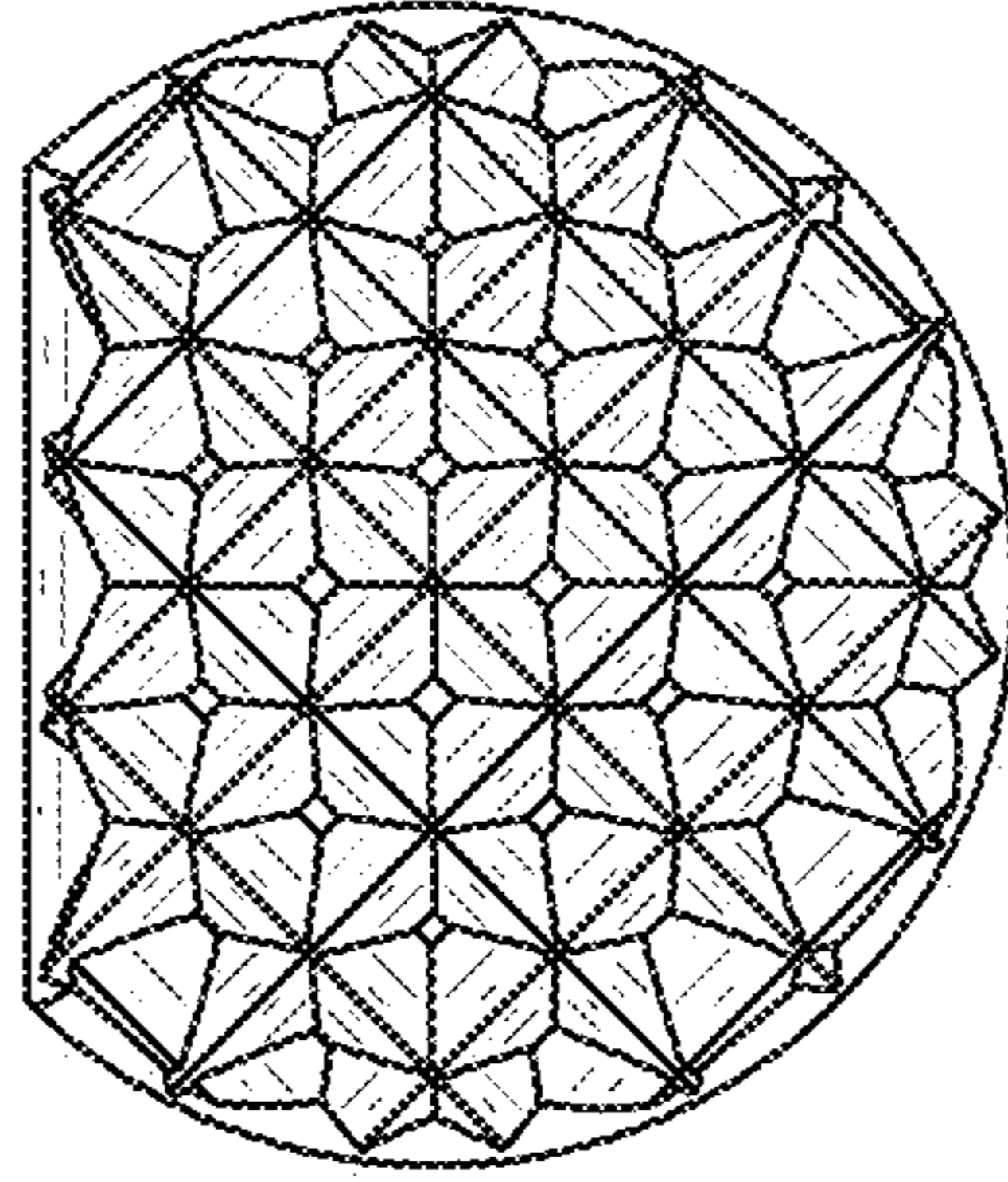


FIG. 3

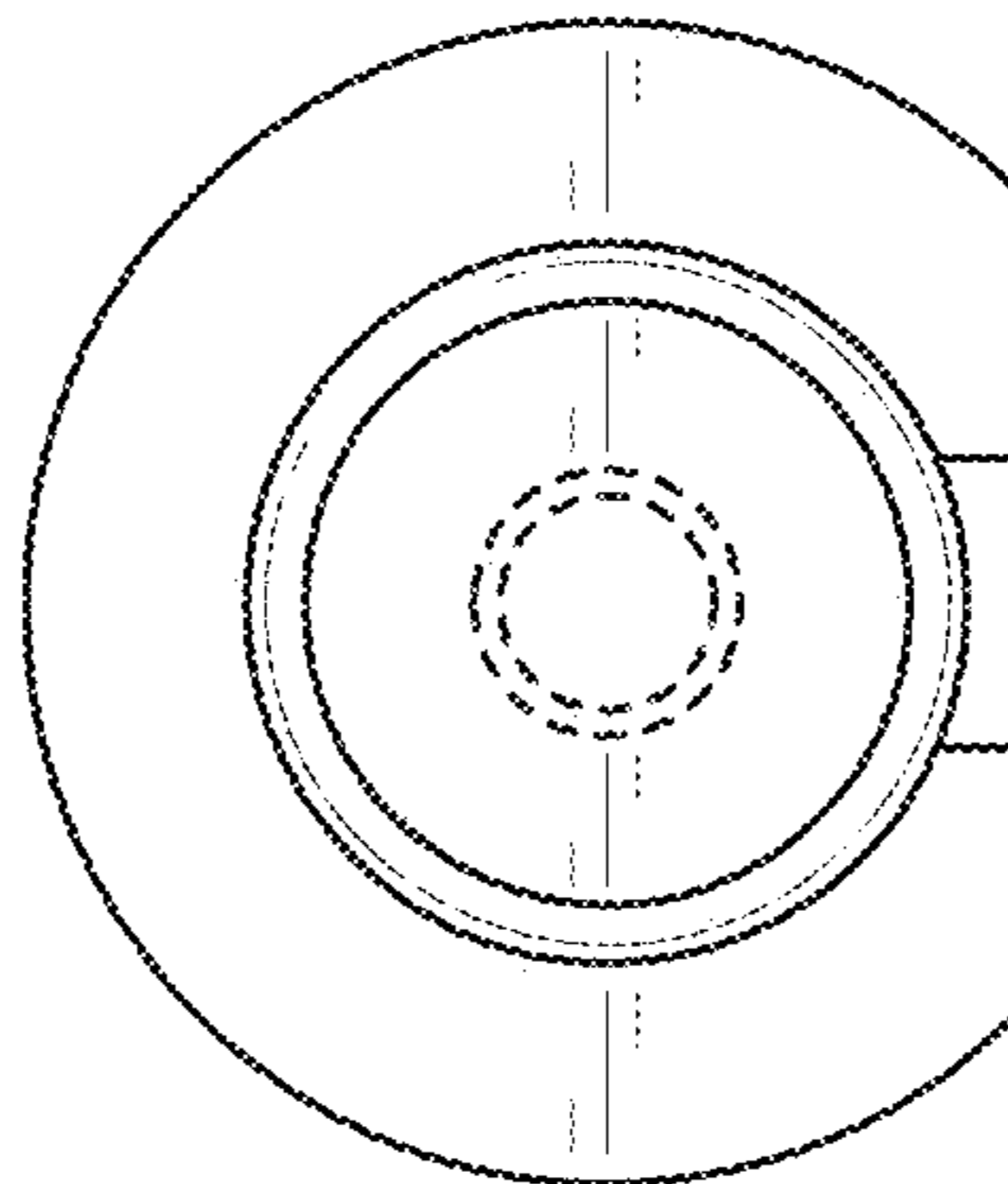


FIG. 4

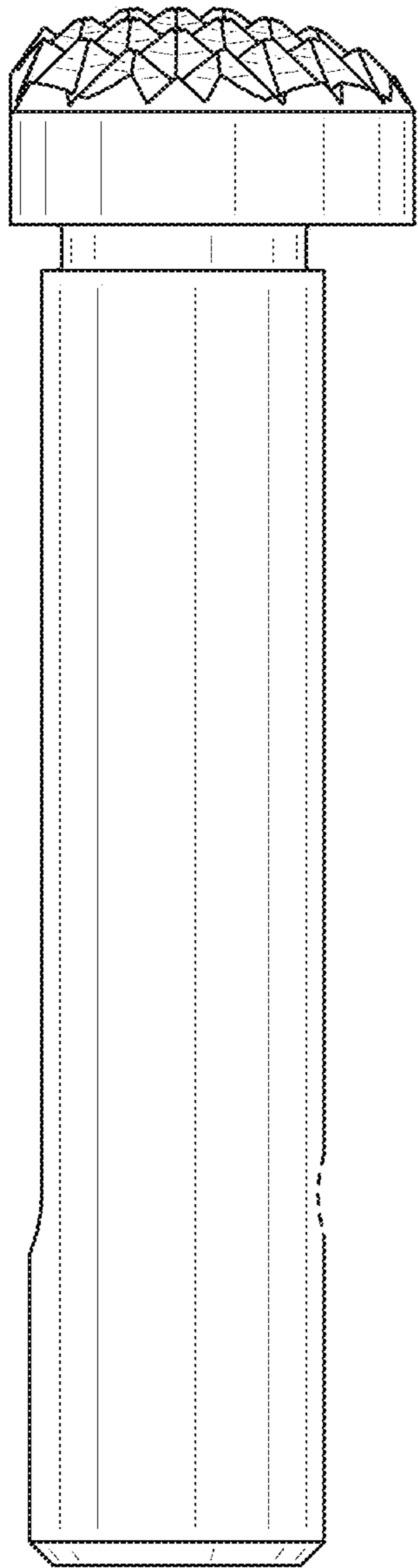


FIG. 5

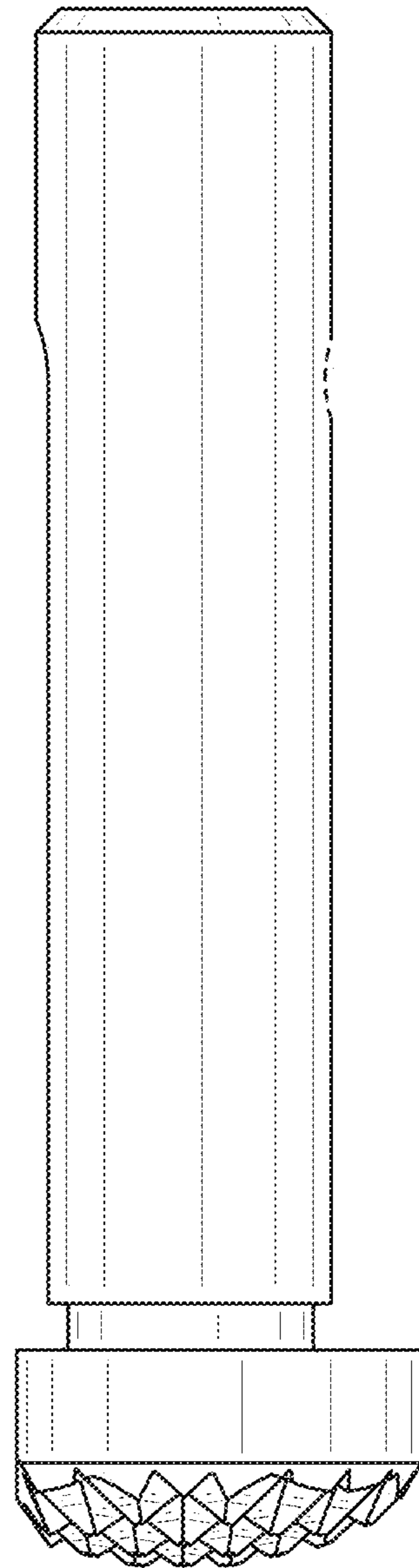


FIG. 6



FIG. 7

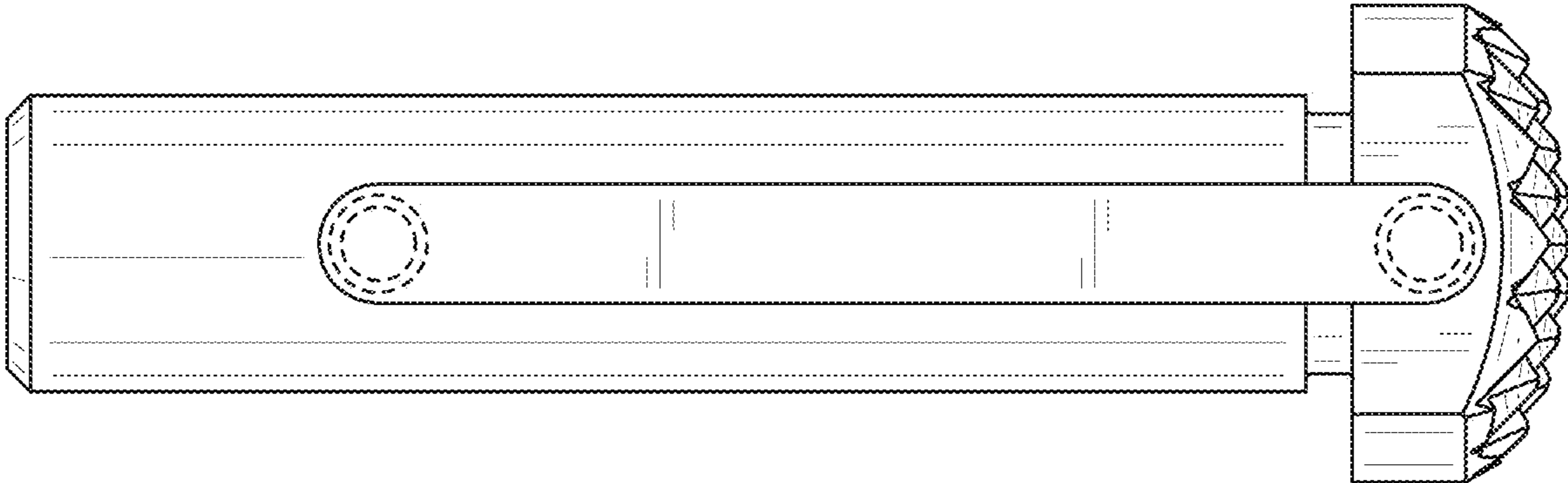


FIG. 8

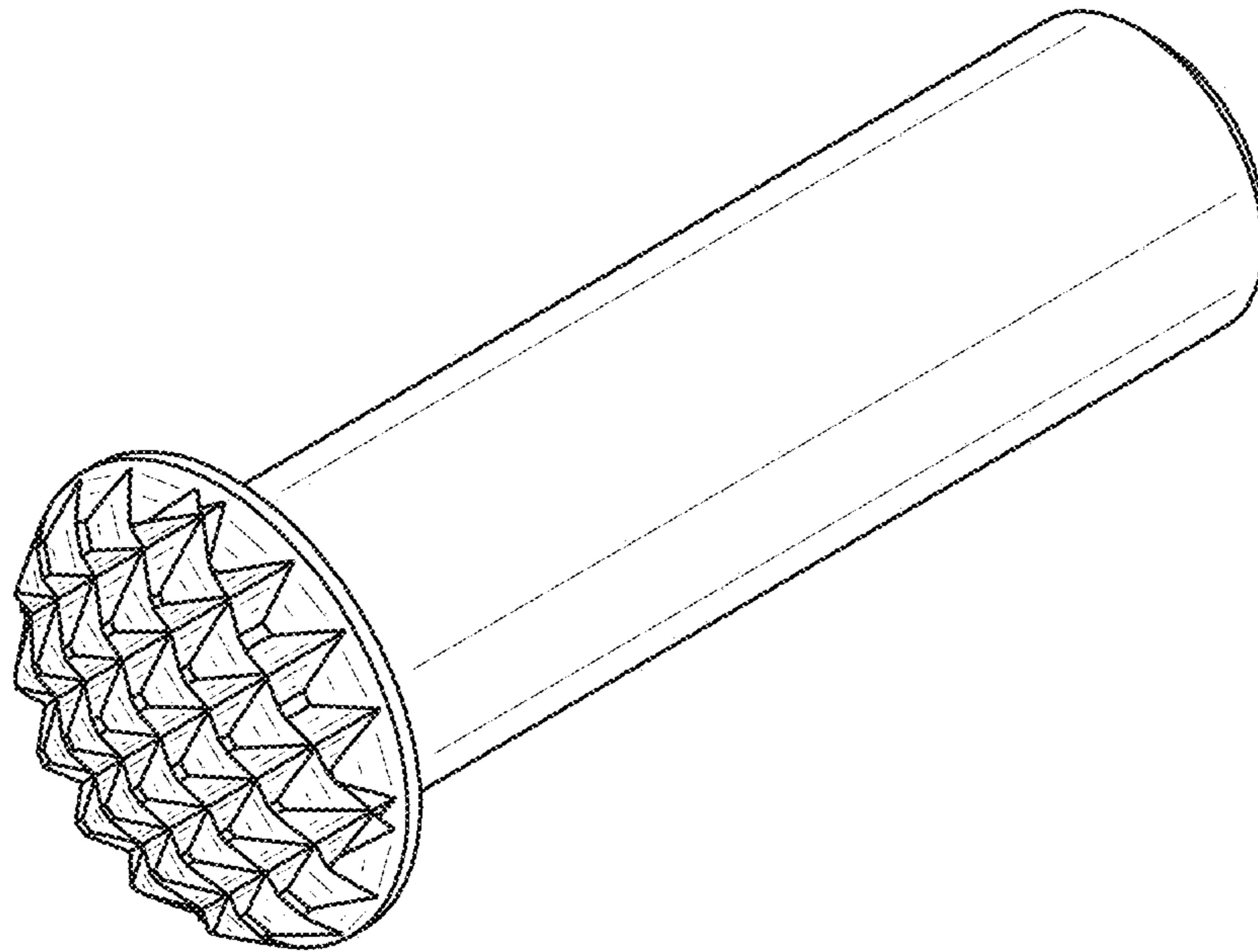


FIG. 9

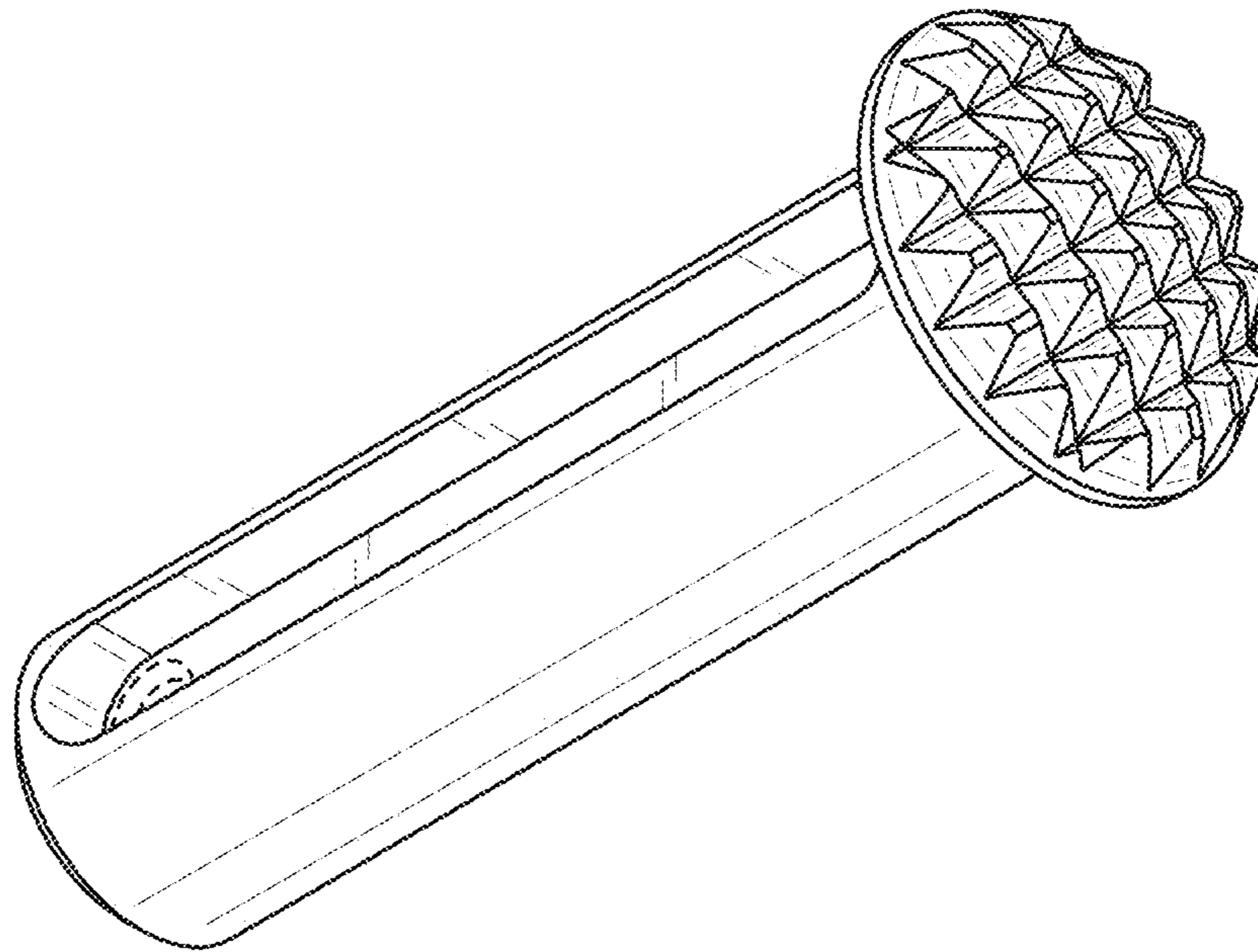


FIG. 10

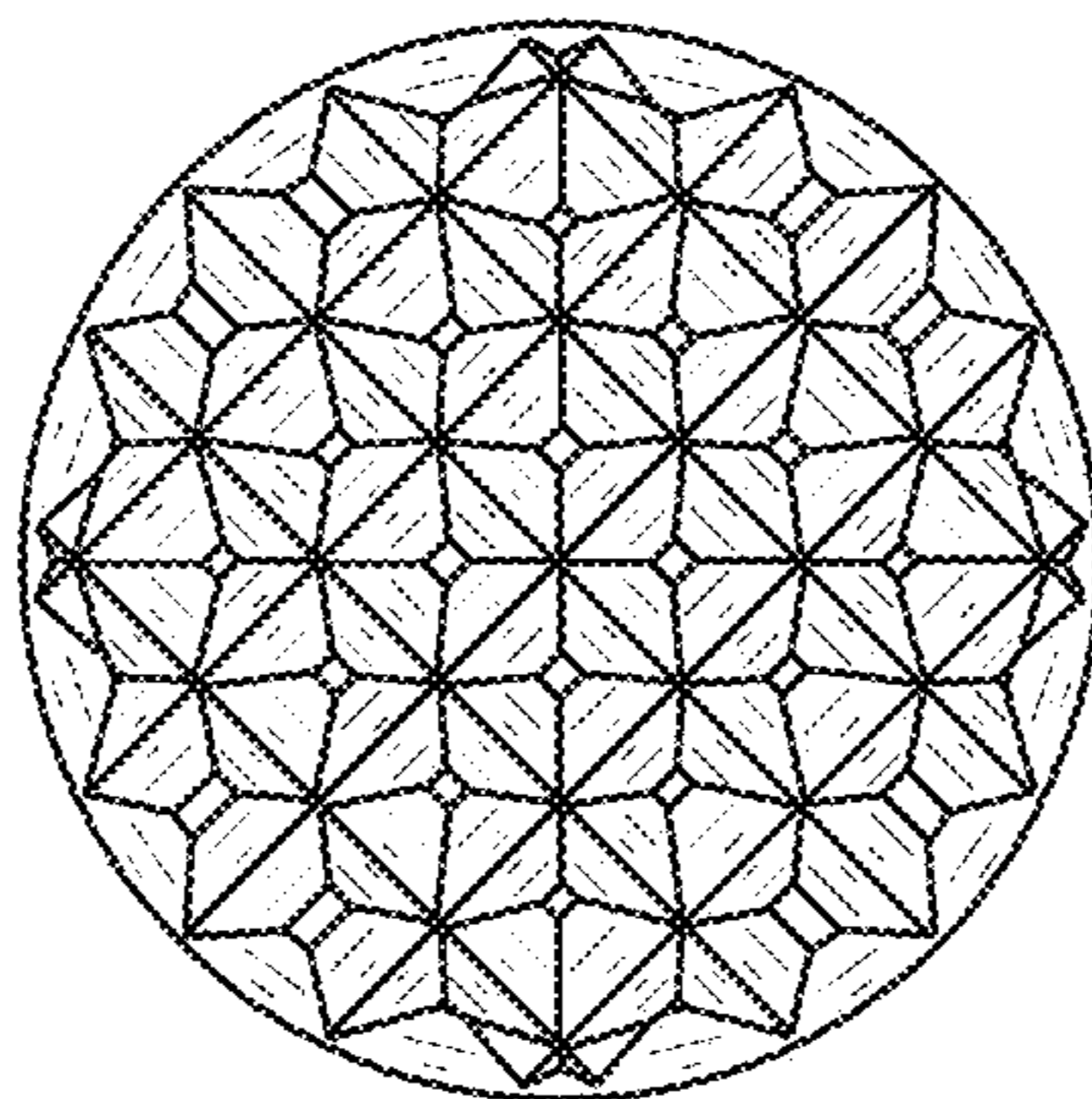


FIG. 11

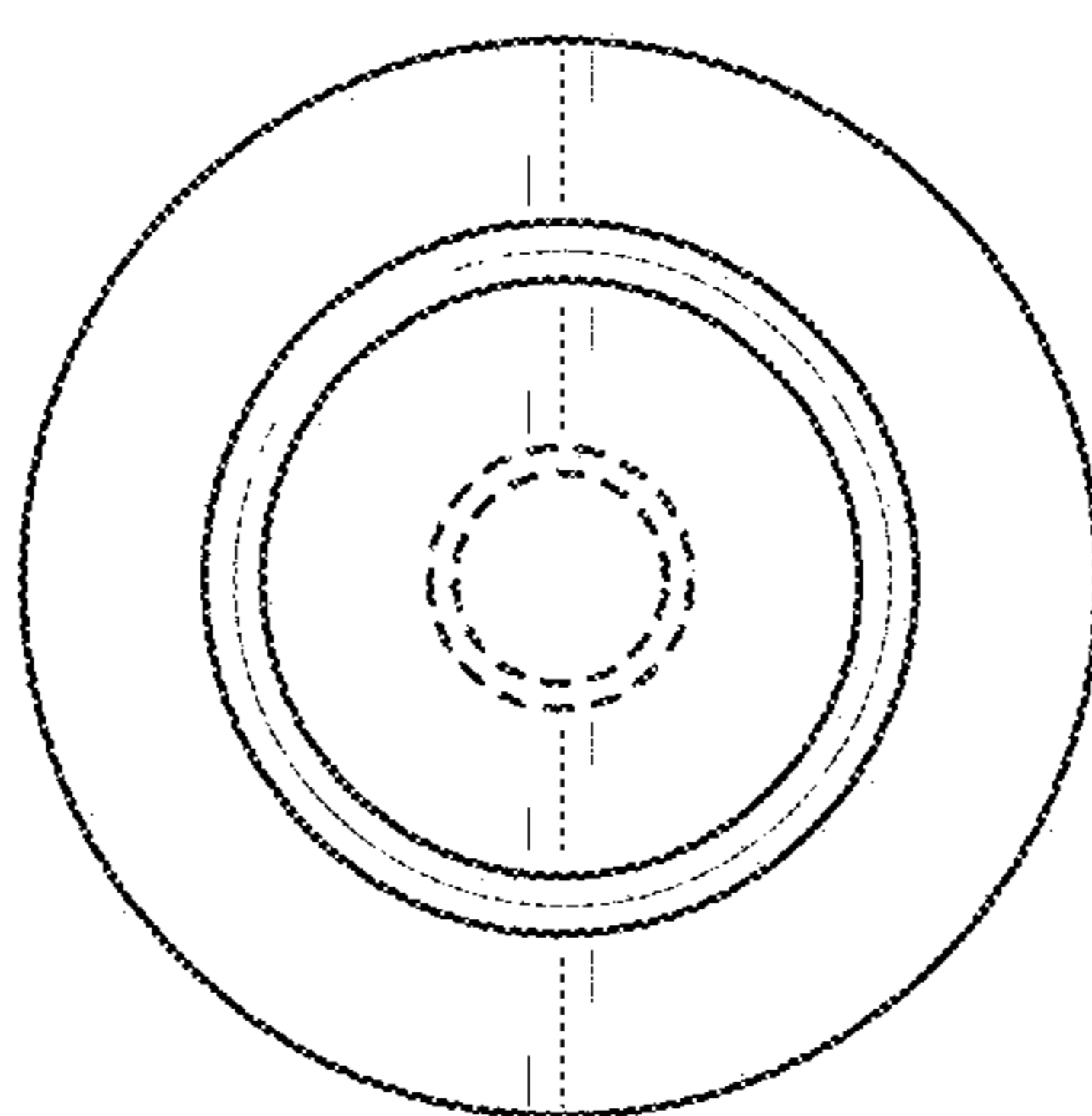


FIG. 12

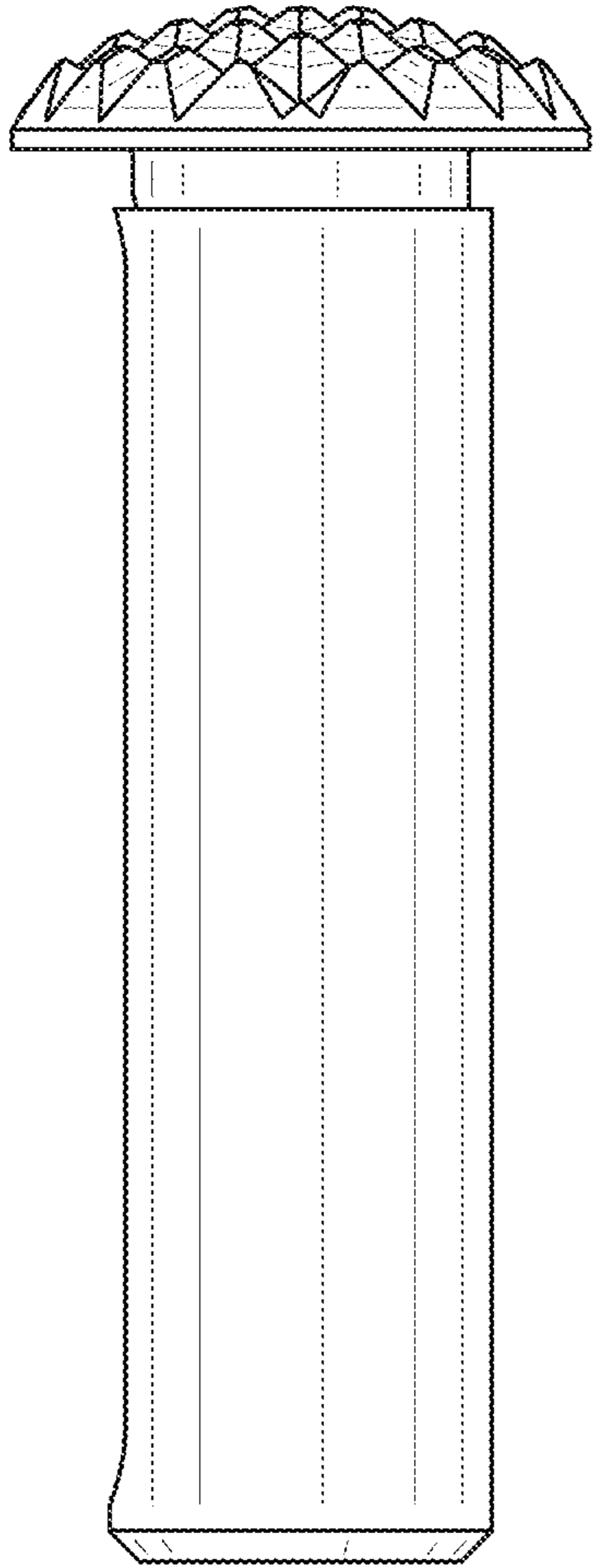


FIG. 13

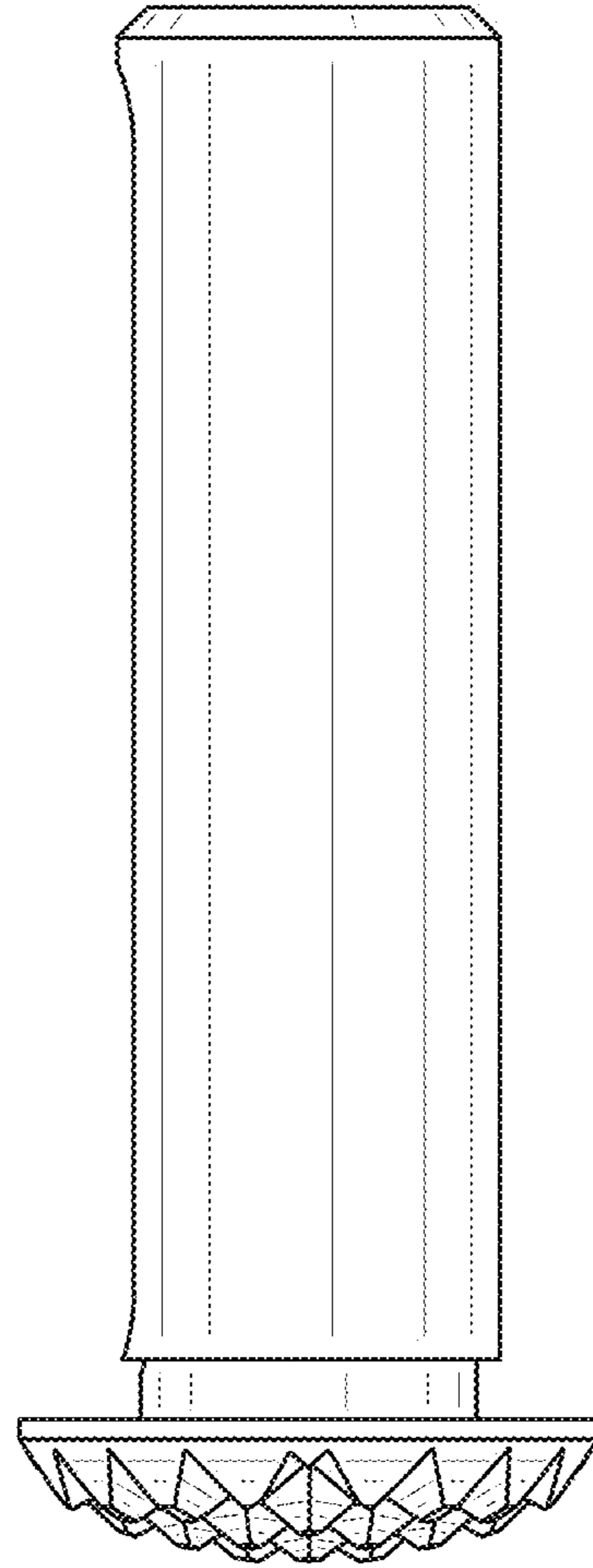


FIG. 14

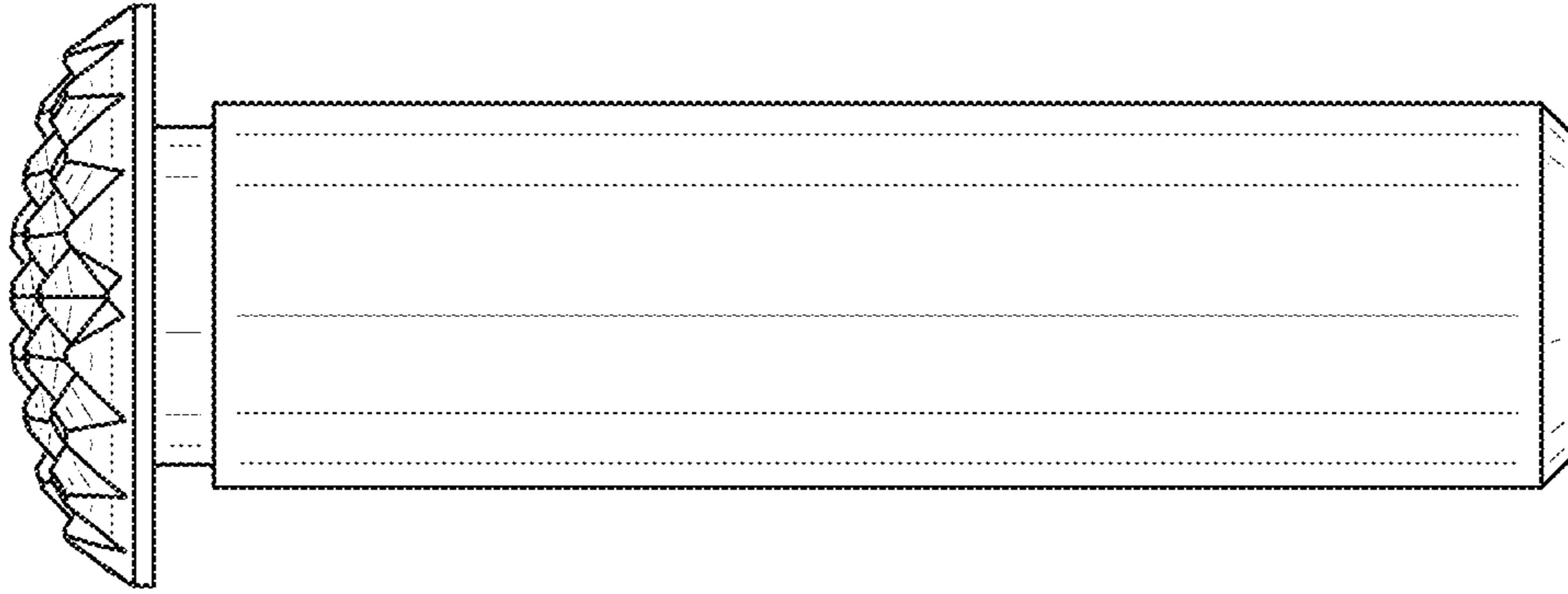


FIG. 15

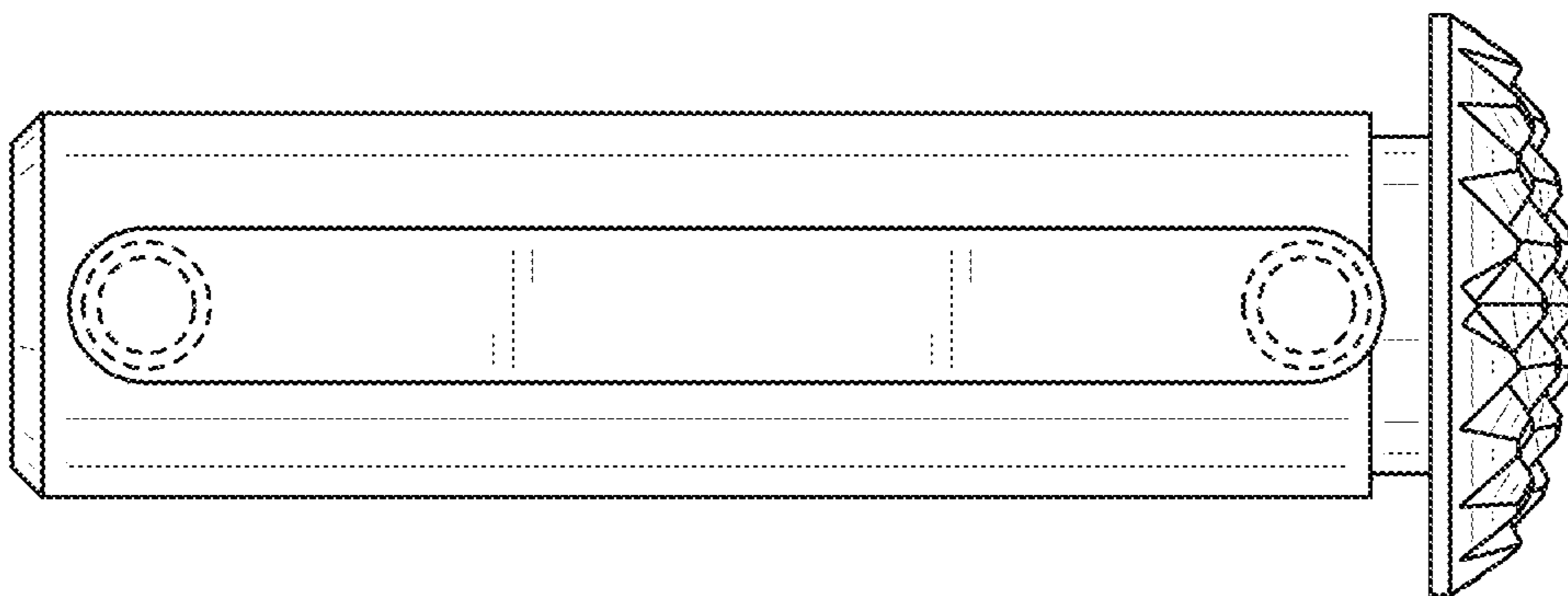


FIG. 16