



US00D886932S

(12) **United States Design Patent**
Srihari et al.

(10) **Patent No.:** **US D886,932 S**
(45) **Date of Patent:** **** Jun. 9, 2020**

- (54) **SEESAW**
- (71) Applicant: **Pure Global Brands, Inc.**, Mesquite, TX (US)
- (72) Inventors: **Swastic Srihari**, Addison, TX (US);
Zorin Abraham, Sunnyvale, TX (US);
Kinsey Harris, West Palm Beach, FL (US)
- (73) Assignee: **Pure Global Brands, Inc.**, Mesquite, TX (US)
- (**) Term: **15 Years**

- D149,407 S * 4/1948 Evans D21/830
 - D150,381 S * 7/1948 Stone D21/830
 - D167,860 S * 9/1952 Salgo et al. D21/830
 - 2,711,898 A * 6/1955 Iasillo A63G 1/12
472/19
 - 2,720,395 A * 10/1955 Panske A63G 11/00
472/4
 - D176,401 S * 12/1955 Bauer D21/830
 - 3,172,659 A * 3/1965 Daleiden A63G 1/18
472/24
 - 3,462,140 A * 8/1969 Halaj A63G 1/12
472/18
 - D291,718 S * 9/1987 Spencer D21/830
 - D312,293 S * 11/1990 Wehmeyer D21/412
- (Continued)

- (21) Appl. No.: **29/710,907**
- (22) Filed: **Oct. 28, 2019**
- (51) **LOC (12) Cl.** **21-03**
- (52) **U.S. Cl.**
USPC **D21/830**
- (58) **Field of Classification Search**
USPC D21/811, 814, 828-833, 412
CPC A63G 1/00-48; A63G 11/00; A63H 13/18;
A63H 13/20
See application file for complete search history.

FOREIGN PATENT DOCUMENTS

- CN 702005030061187 5/2006
 - CN 702011030497531 7/2012
- (Continued)

Primary Examiner — Mitchell I. Siegel
(74) *Attorney, Agent, or Firm* — Scott T. Griggs; Griggs Bergen LLP

(56) **References Cited**

U.S. PATENT DOCUMENTS

- 198,659 A * 12/1877 Millward A63G 1/18
472/23
- 1,486,669 A * 3/1924 Kline A63G 1/20
472/24
- 1,635,387 A * 7/1927 Pullen A63G 1/12
472/24
- D99,613 S * 5/1936 Sweet D21/830
- 2,104,442 A * 1/1938 Szabo A63H 13/18
472/5
- D145,518 S * 9/1946 Glasco D21/830
- 2,409,487 A * 10/1946 Hilger A63G 1/32
472/4
- D148,889 S * 3/1948 Sebel D21/830

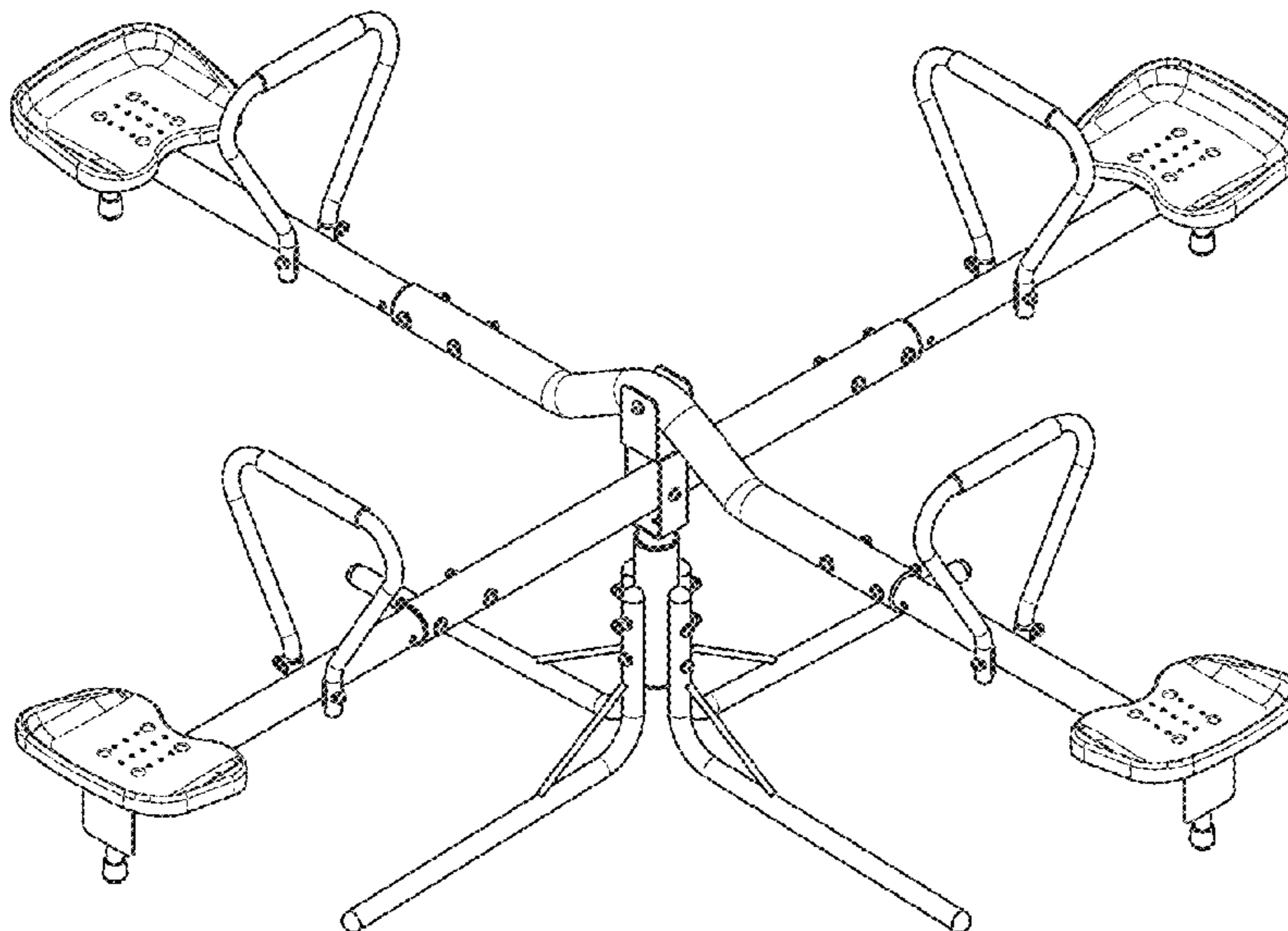
(57) **CLAIM**

The ornamental design for a seesaw, as shown and described.

DESCRIPTION

FIG. 1 is a front perspective view of a seesaw;
FIG. 2 is a front elevational view of the seesaw shown in FIG. 1, the undisclosed rear elevation being identical;
FIG. 3 is a left side elevational view of the seesaw shown in FIG. 1, the undisclosed right side being identical;
FIG. 4 is a top plan view of the seesaw shown in FIG. 1; and,
FIG. 5 is a bottom plan view of the seesaw as shown in FIG. 1.

1 Claim, 5 Drawing Sheets



(56)

References Cited

U.S. PATENT DOCUMENTS

D331,430 S	*	12/1992	Nolan	D21/412
D338,702 S	*	8/1993	Ligas	D21/830
D462,411 S	*	9/2002	Paas	D21/830
D499,163 S	*	11/2004	Stephens	D21/830
D512,746 S	*	12/2005	Habing	D21/412
D512,747 S	*	12/2005	Habing	D21/412
D541,881 S	*	5/2007	Habing	D21/412
D550,306 S	*	9/2007	Arvidsson	D21/412
D561,844 S	*	2/2008	Habing	D21/412
D567,882 S	*	4/2008	Mann	D21/412
D569,446 S	*	5/2008	VanElverdinghe	D21/412
D589,111 S	*	3/2009	Stephens	D21/830
D802,696 S	*	11/2017	Basegmez	D21/830

FOREIGN PATENT DOCUMENTS

CN	702012030265052	1/2013
CN	702013030397118	5/2014
CN	303979959	12/2016
KR	302016000017184	2/2017
TR	702008000005021	11/2008

* cited by examiner

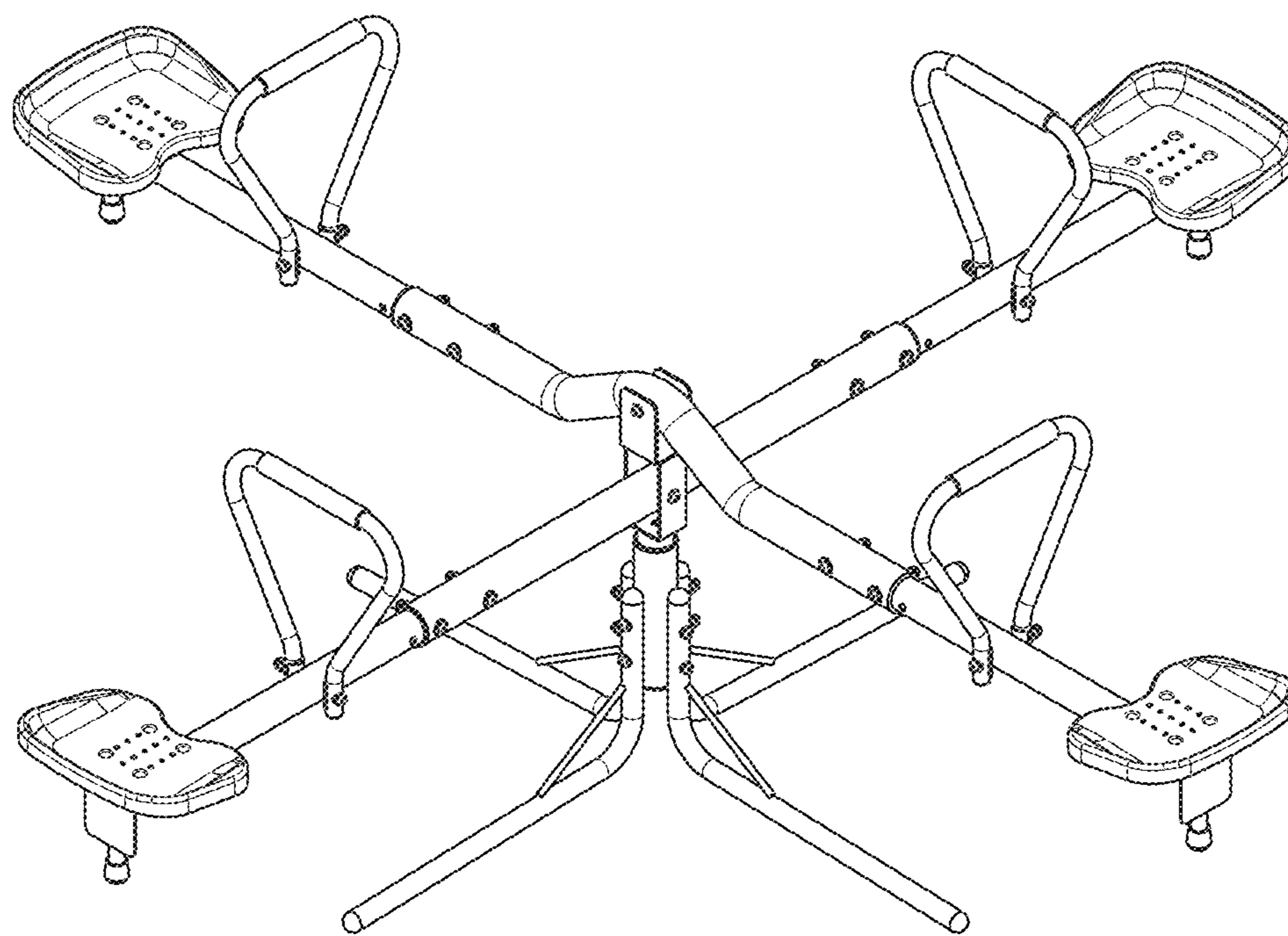


FIG. 1

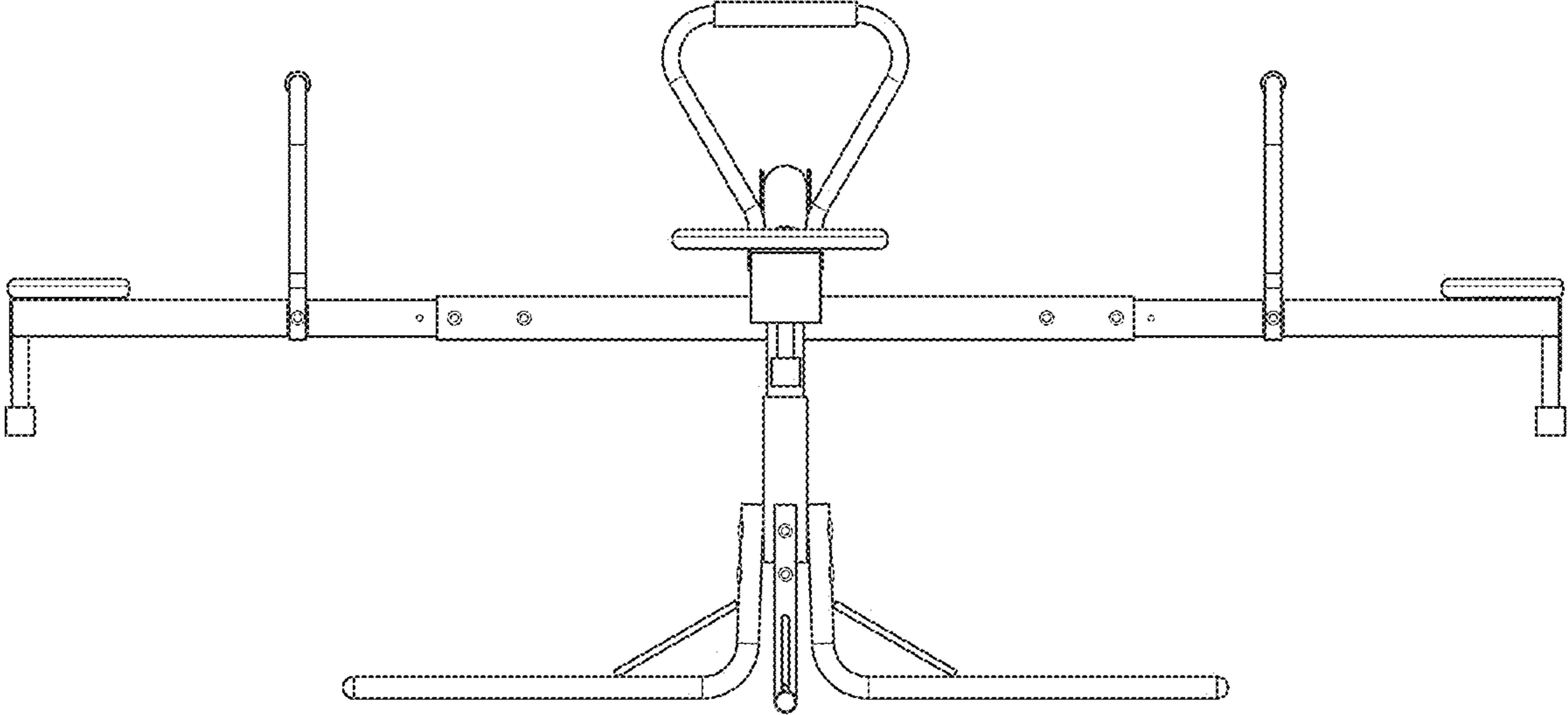


FIG. 2

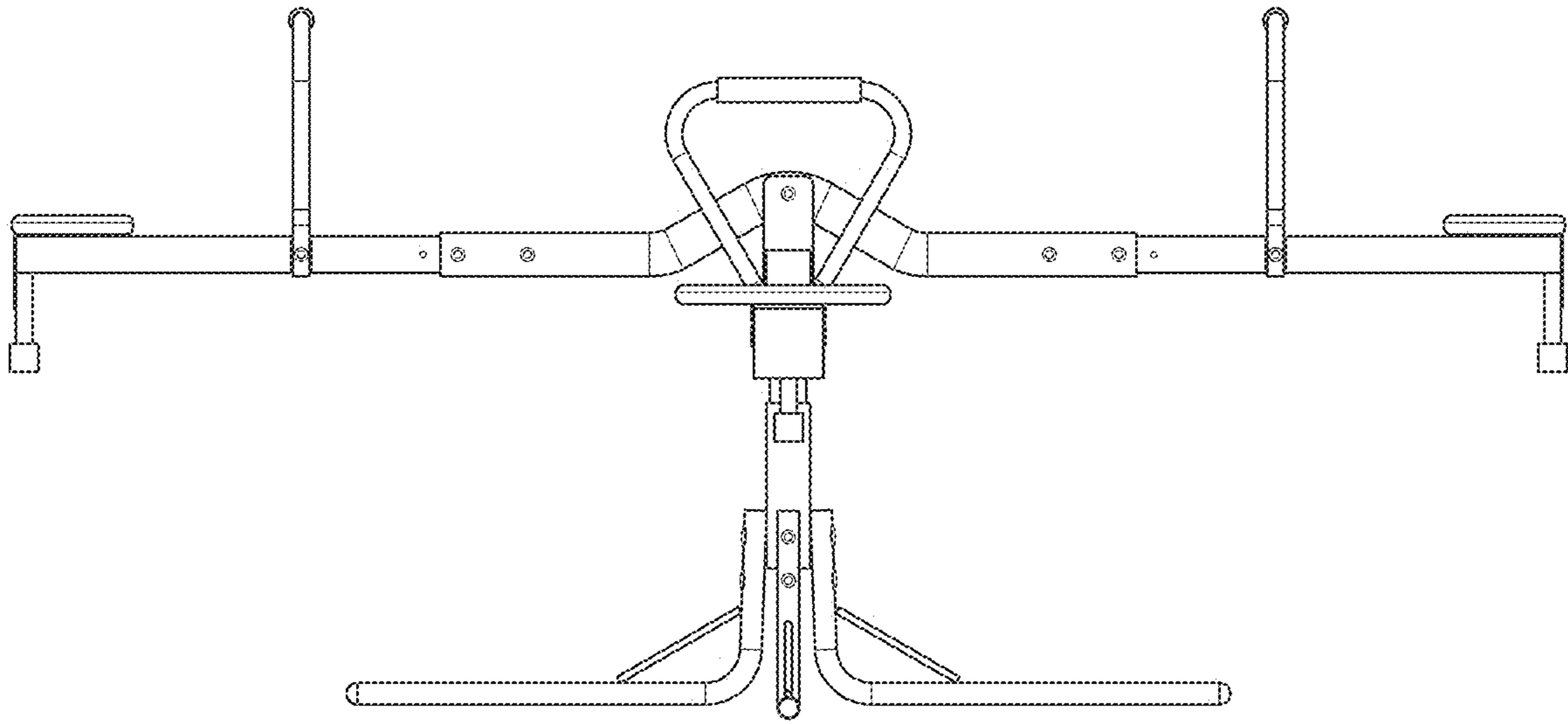


FIG. 3

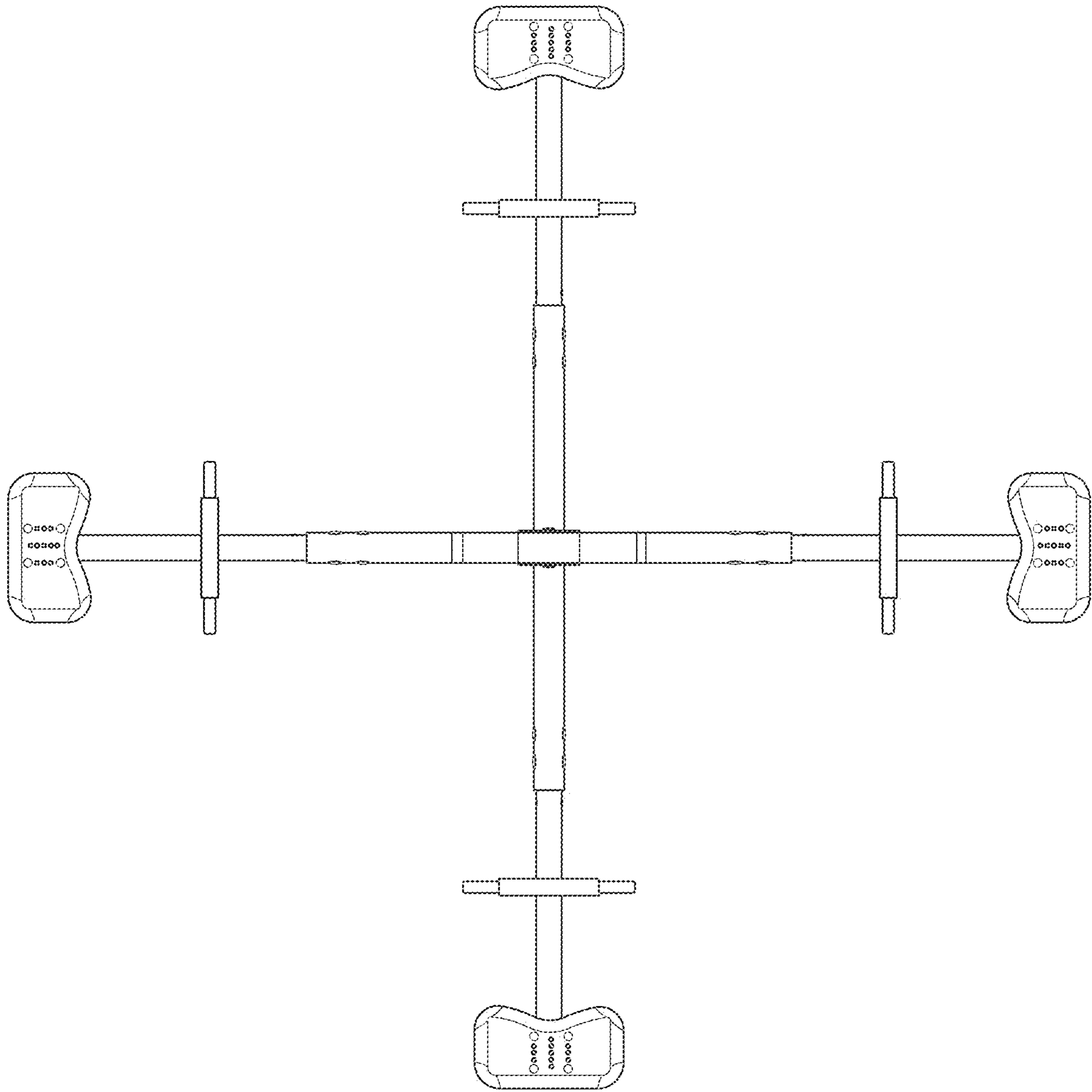


FIG. 4

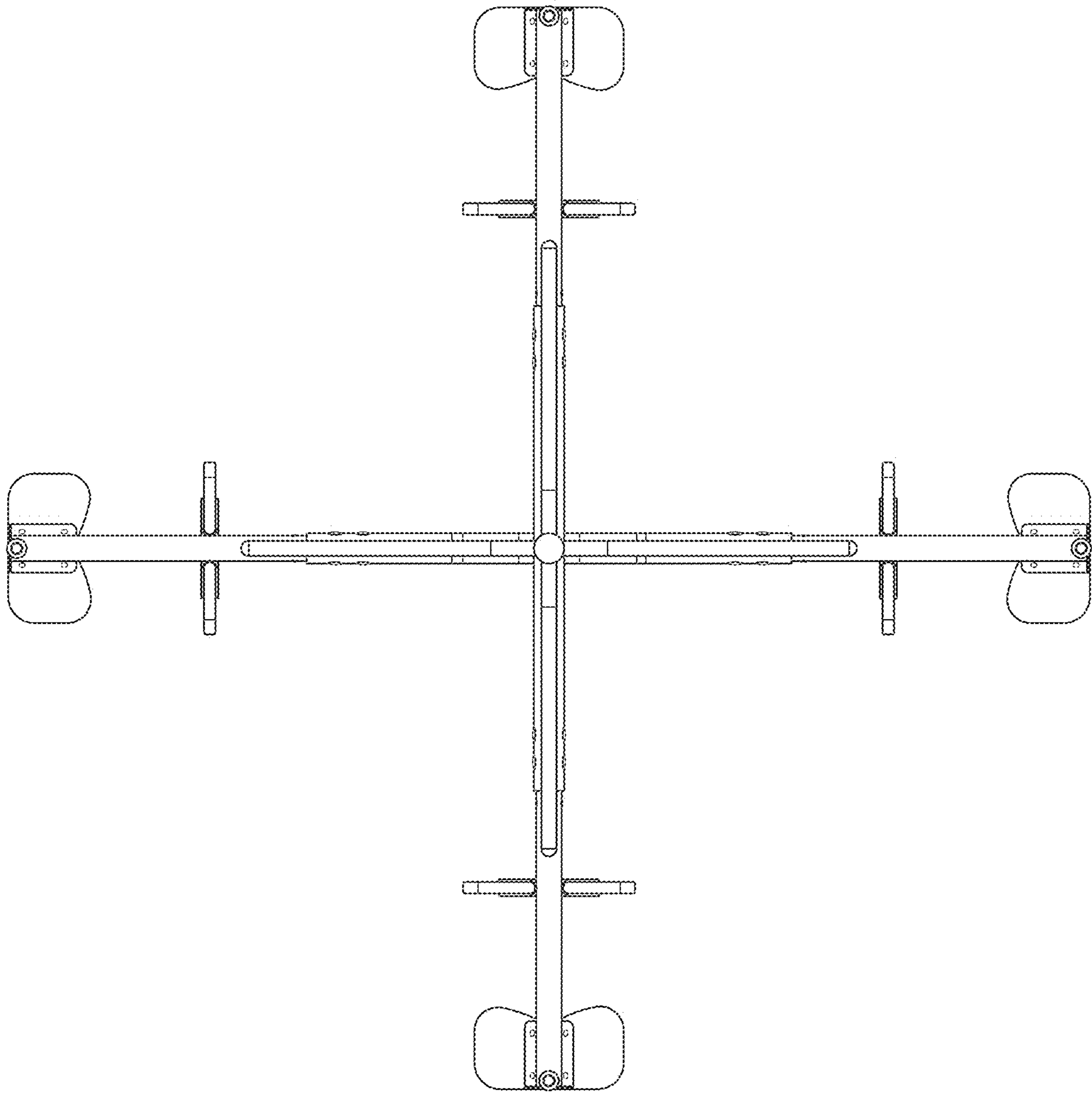


FIG. 5