



US00D886931S

(12) **United States Design Patent**  
**Rademacher et al.**

(10) **Patent No.:** **US D886,931 S**  
(45) **Date of Patent:** **\*\* Jun. 9, 2020**

(54) **INFLATABLE WATERSPORT FLOAT**

(71) Applicant: **Wibit Sports GmbH**, Bocholt (DE)

(72) Inventors: **Romann Rademacher**, Bocholt (DE);  
**Robert Cirjak**, Bocholt (DE)

(73) Assignee: **WIBIT SPORTS GMBH**, Bocholt (DE)

(\*\*) Term: **15 Years**

(21) Appl. No.: **29/674,399**

(22) Filed: **Dec. 20, 2018**

(30) **Foreign Application Priority Data**

Jul. 13, 2018 (EM) ..... 005502770-0003

(51) **LOC (12) Cl.** ..... **21-02**

(52) **U.S. Cl.**  
USPC ..... **D21/801**

(58) **Field of Classification Search**  
USPC ..... D21/769-770, 801, 803, 809; D12/5, 6,  
D12/316; D6/392, 595, 596, 601, 604,  
D6/605

CPC ..... B63B 35/00; B63B 35/001; B63B 35/58;  
B63B 35/73; B63B 35/78

See application file for complete search history.

(56) **References Cited**

**U.S. PATENT DOCUMENTS**

D515,167 S \* 2/2006 Capwell ..... D21/803  
D596,261 S \* 7/2009 Cirjak ..... D21/803

D596,262 S \* 7/2009 Cirjak ..... D21/803  
D609,301 S \* 2/2010 Cirjak ..... D21/803  
D706,373 S \* 6/2014 Cirjack ..... D21/803  
D721,778 S \* 1/2015 Rademacher ..... D21/803  
D722,354 S \* 2/2015 Rademacher ..... D21/803  
D801,466 S \* 10/2017 Rademacher ..... D21/803  
D818,072 S \* 5/2018 Rademacher ..... D21/803  
D824,467 S \* 7/2018 Rademacher ..... D21/803  
D824,468 S \* 7/2018 Rademacher ..... D21/803  
D825,015 S \* 8/2018 Rademacher ..... D21/803

\* cited by examiner

*Primary Examiner* — Zenia I Bennett

(74) *Attorney, Agent, or Firm* — Arent Fox LLP

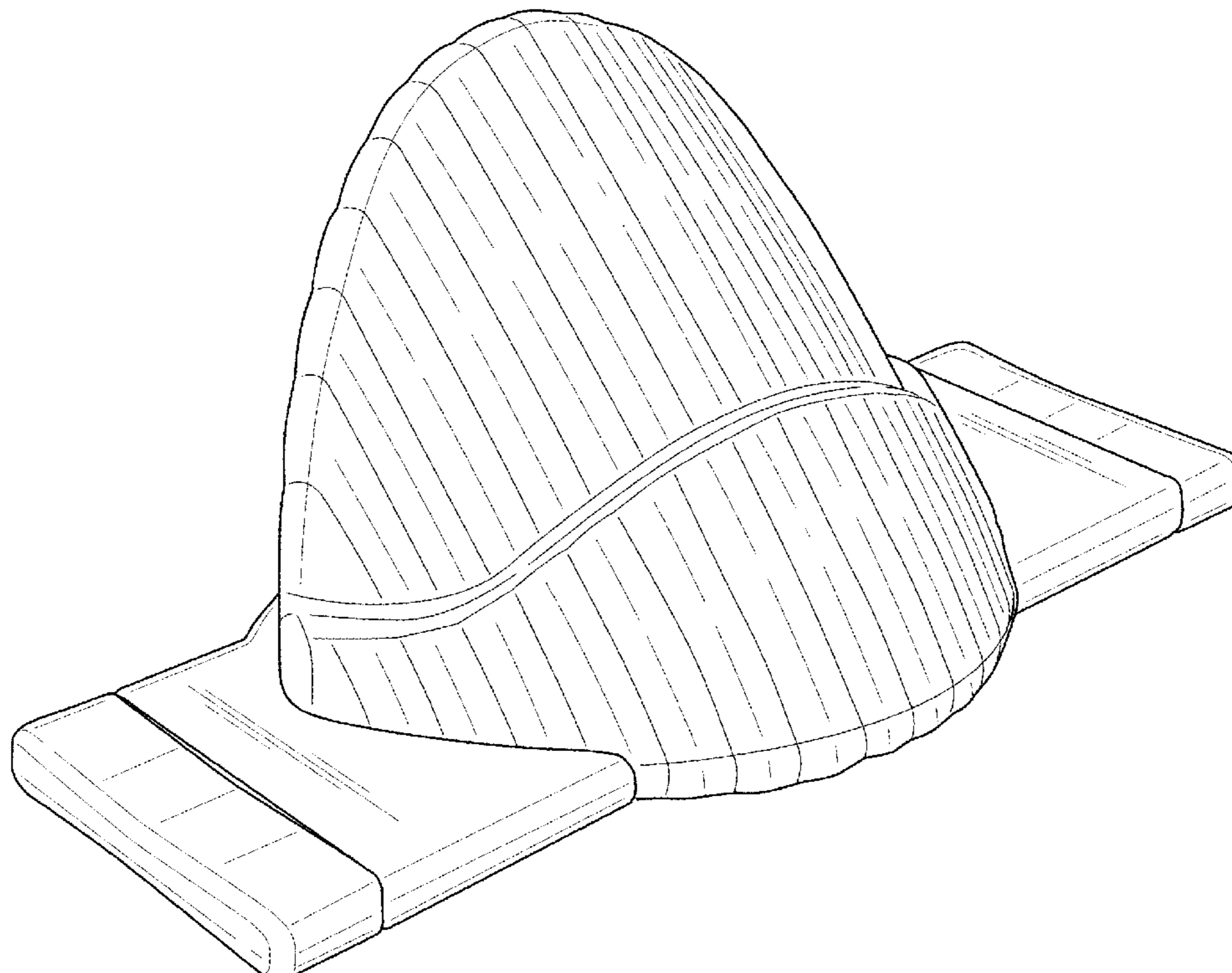
(57) **CLAIM**

The ornamental design for an inflatable watersports float, as shown and described.

**DESCRIPTION**

FIG. 1 is front left perspective view of an inflatable water-sports float showing our new design;  
FIG. 2 is rear left perspective view of the design shown in FIG. 1;  
FIG. 3 is a front view of the design shown in FIG. 1;  
FIG. 4 is a rear view of the design shown in FIG. 1;  
FIG. 5 is a left side view of the design shown in FIG. 1;  
FIG. 6 is a right side view of the design shown in FIG. 1;  
FIG. 7 is a top view of the design shown in FIG. 1; and,  
FIG. 8 is a bottom view of the design shown in FIG. 1.

**1 Claim, 8 Drawing Sheets**



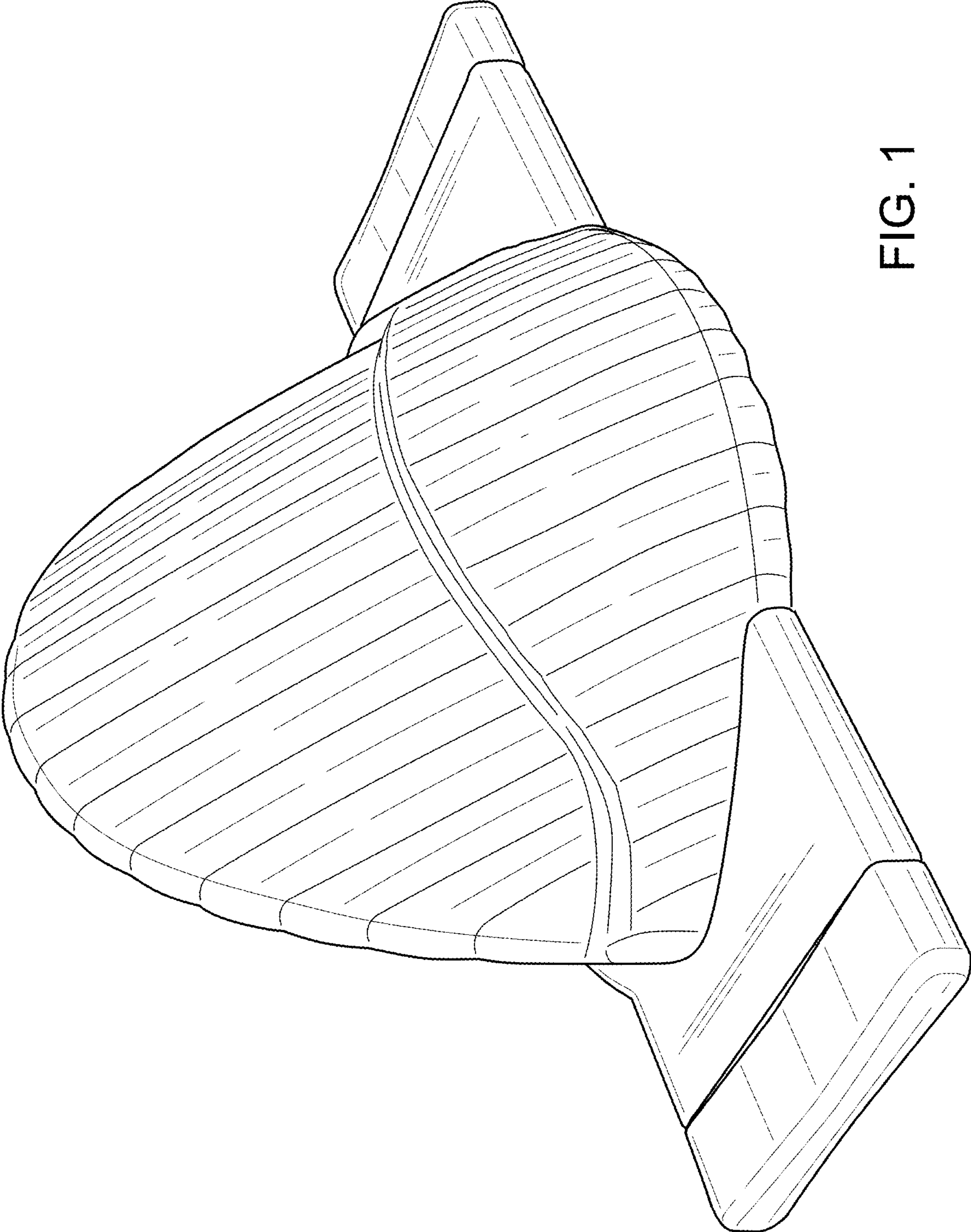


FIG. 1

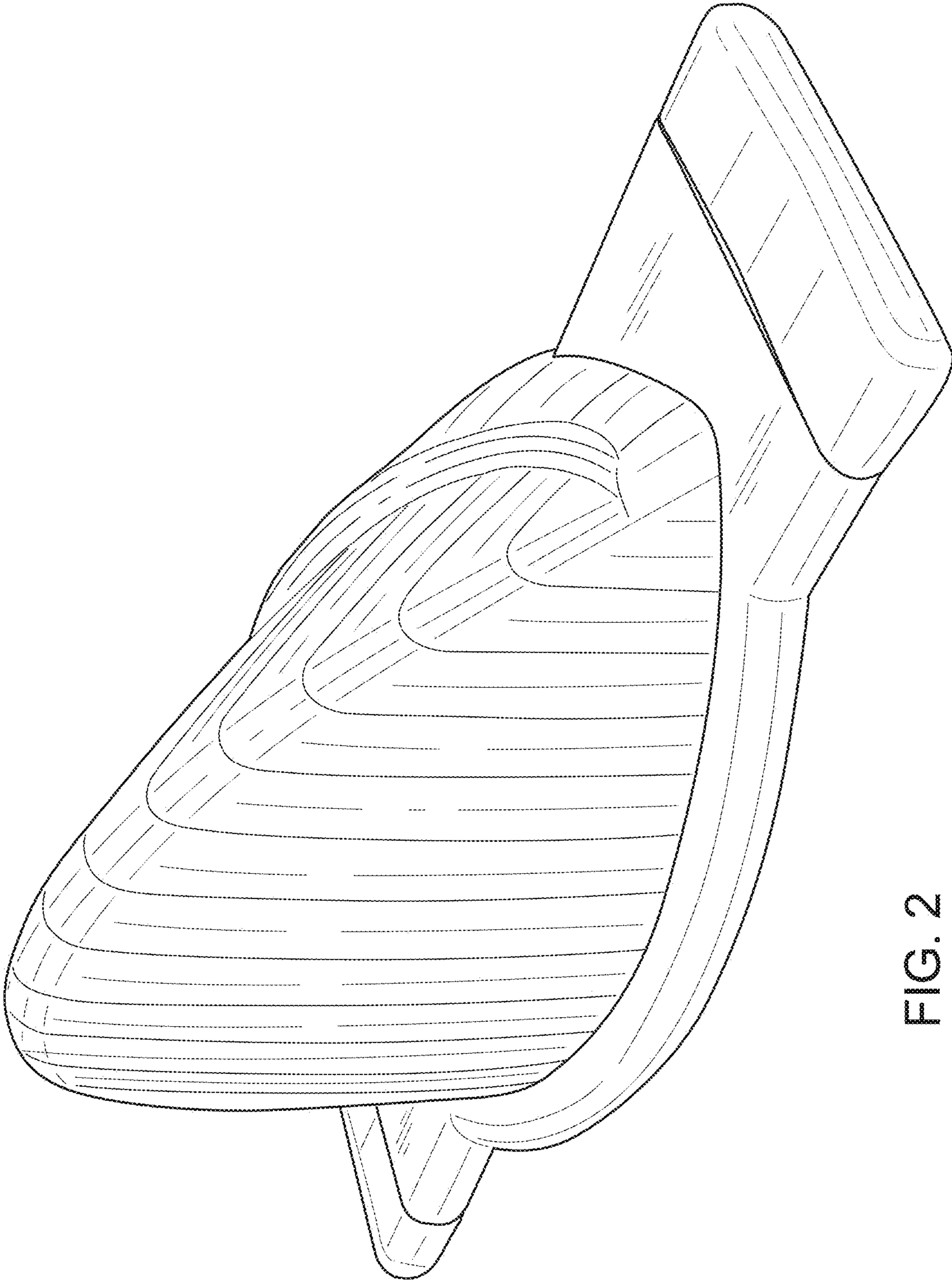


FIG. 2

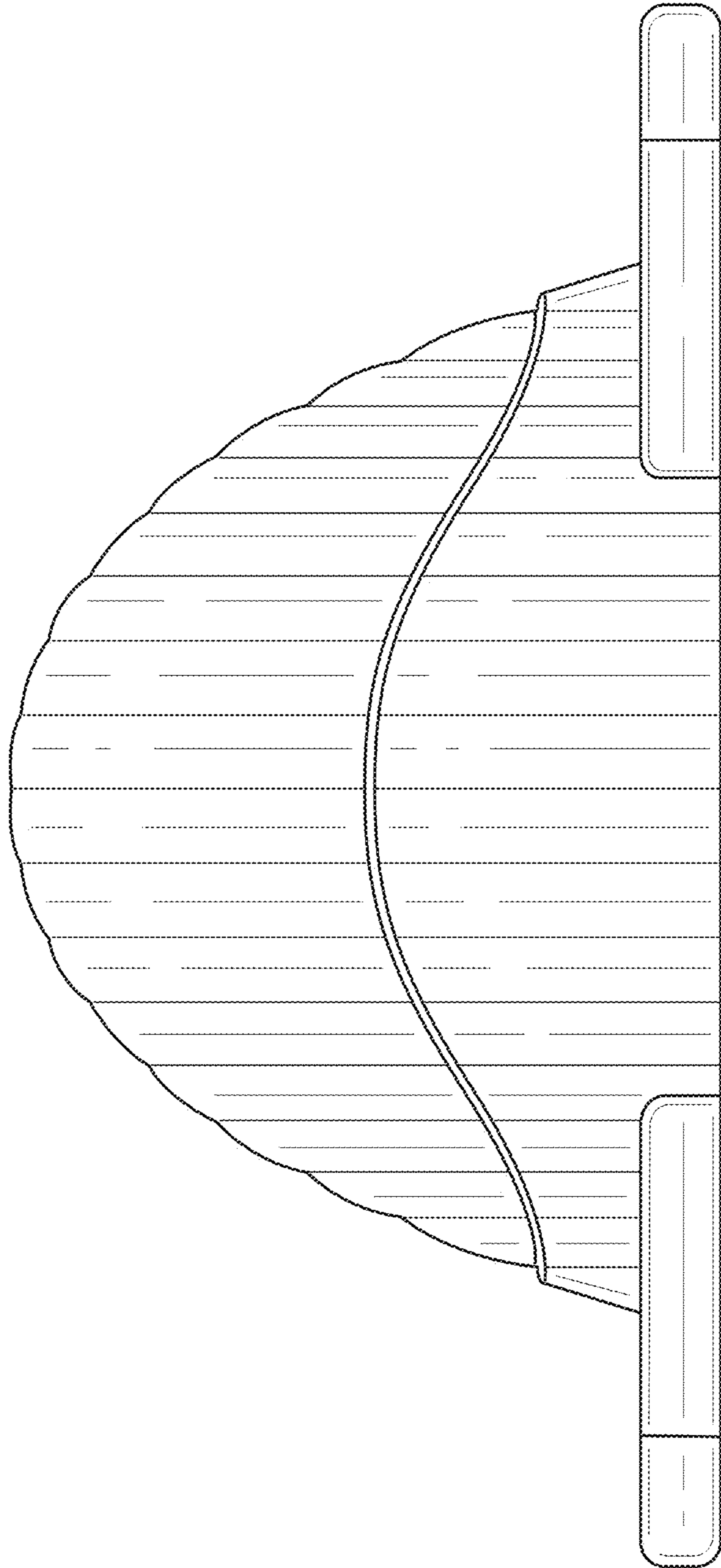


FIG. 3

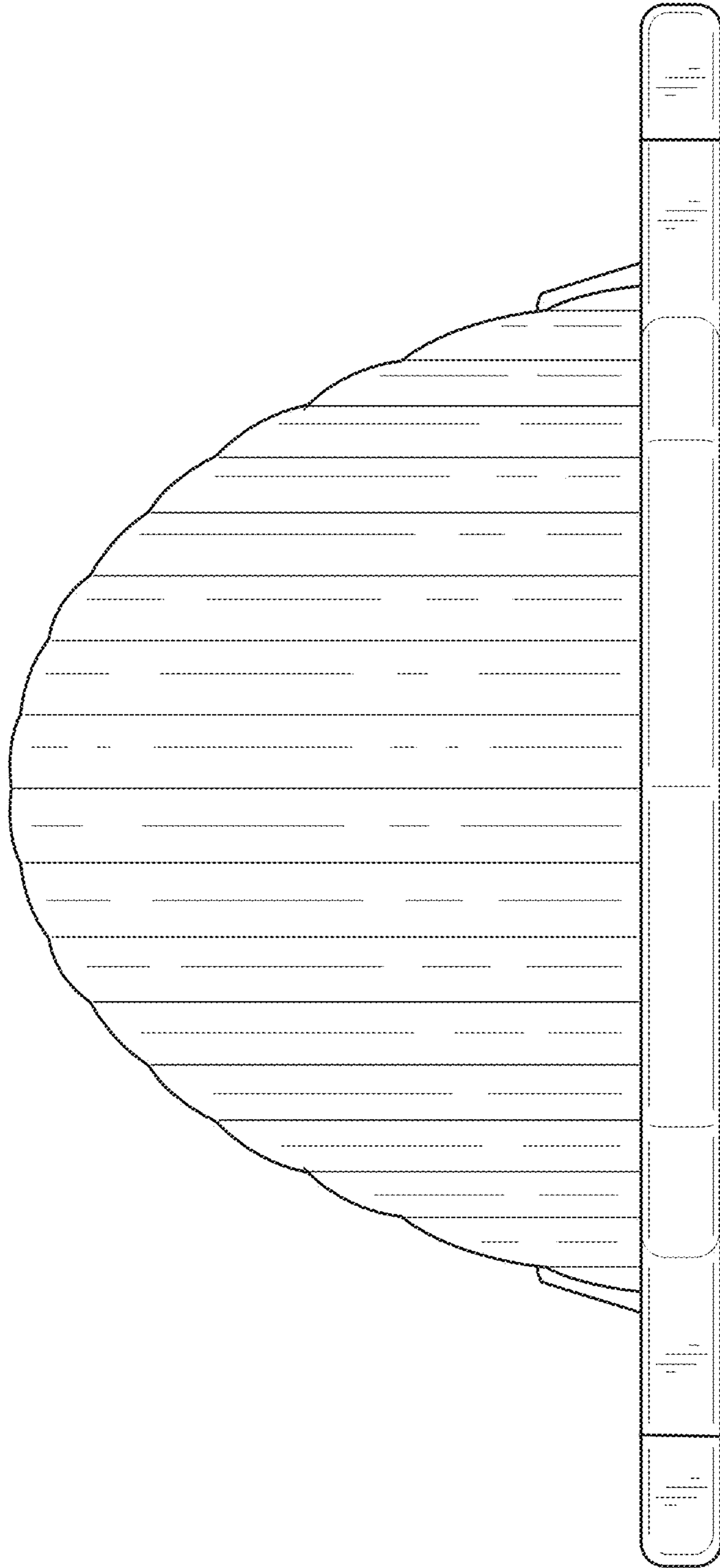


FIG. 4

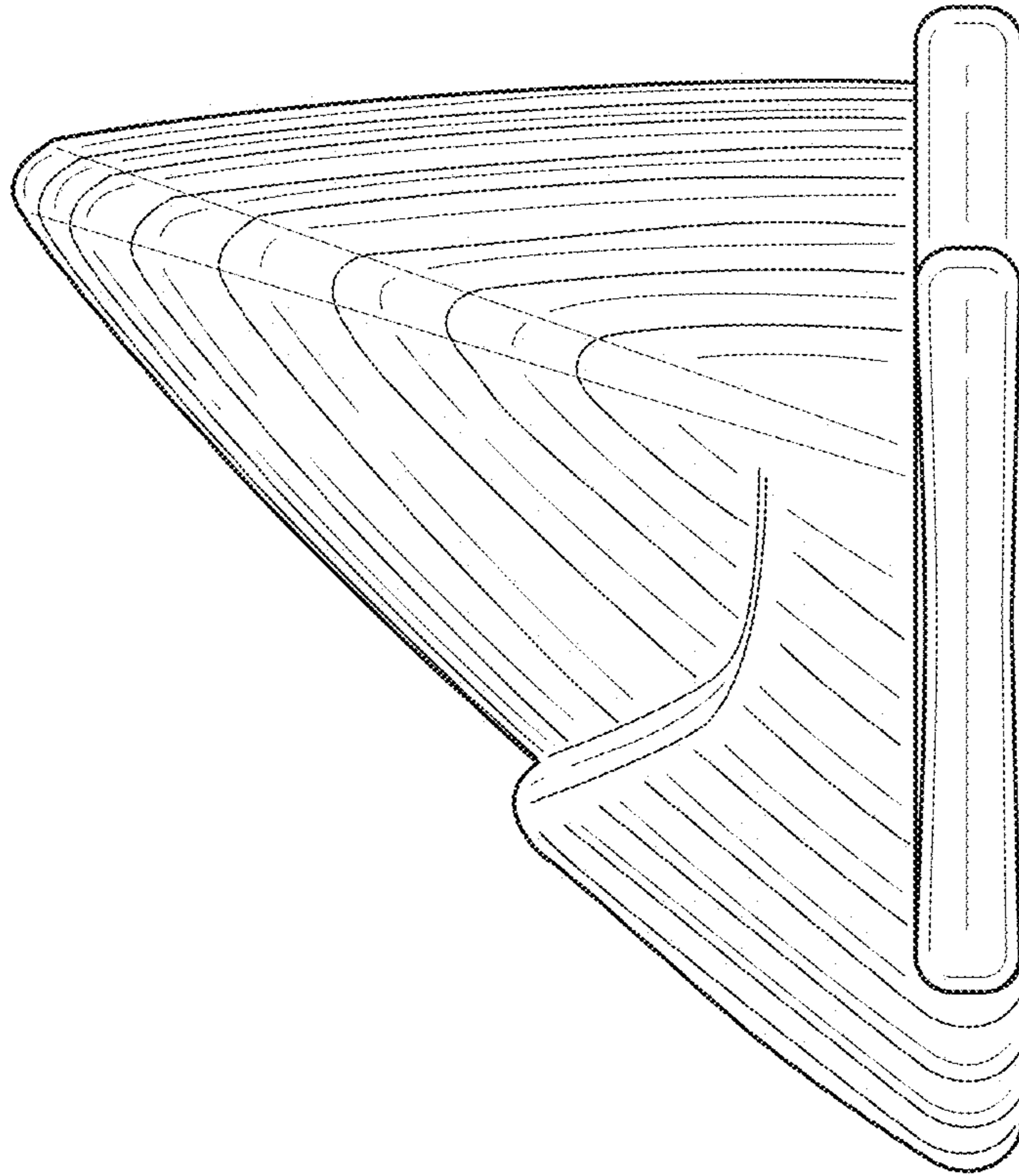


FIG. 5

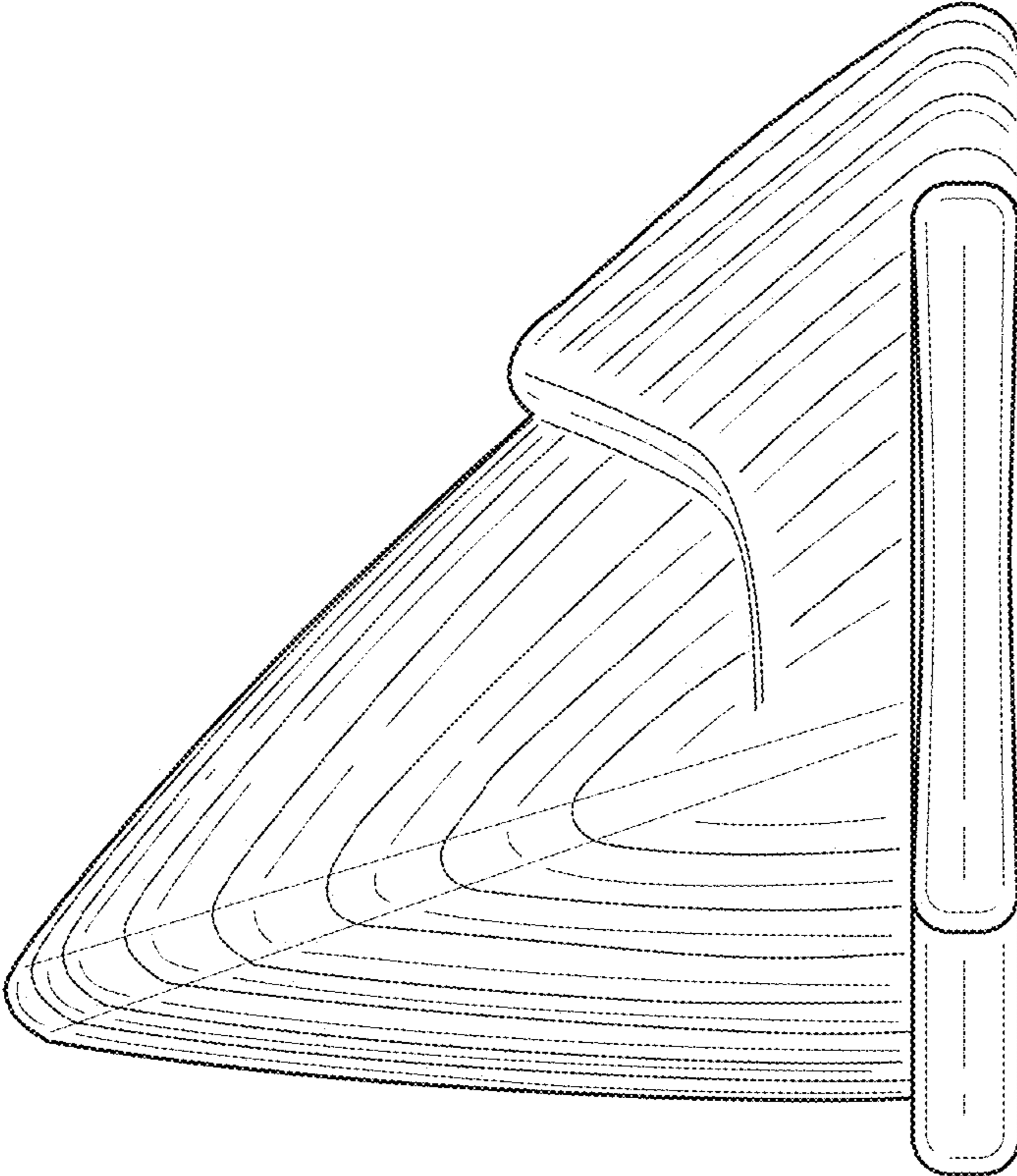


FIG. 6

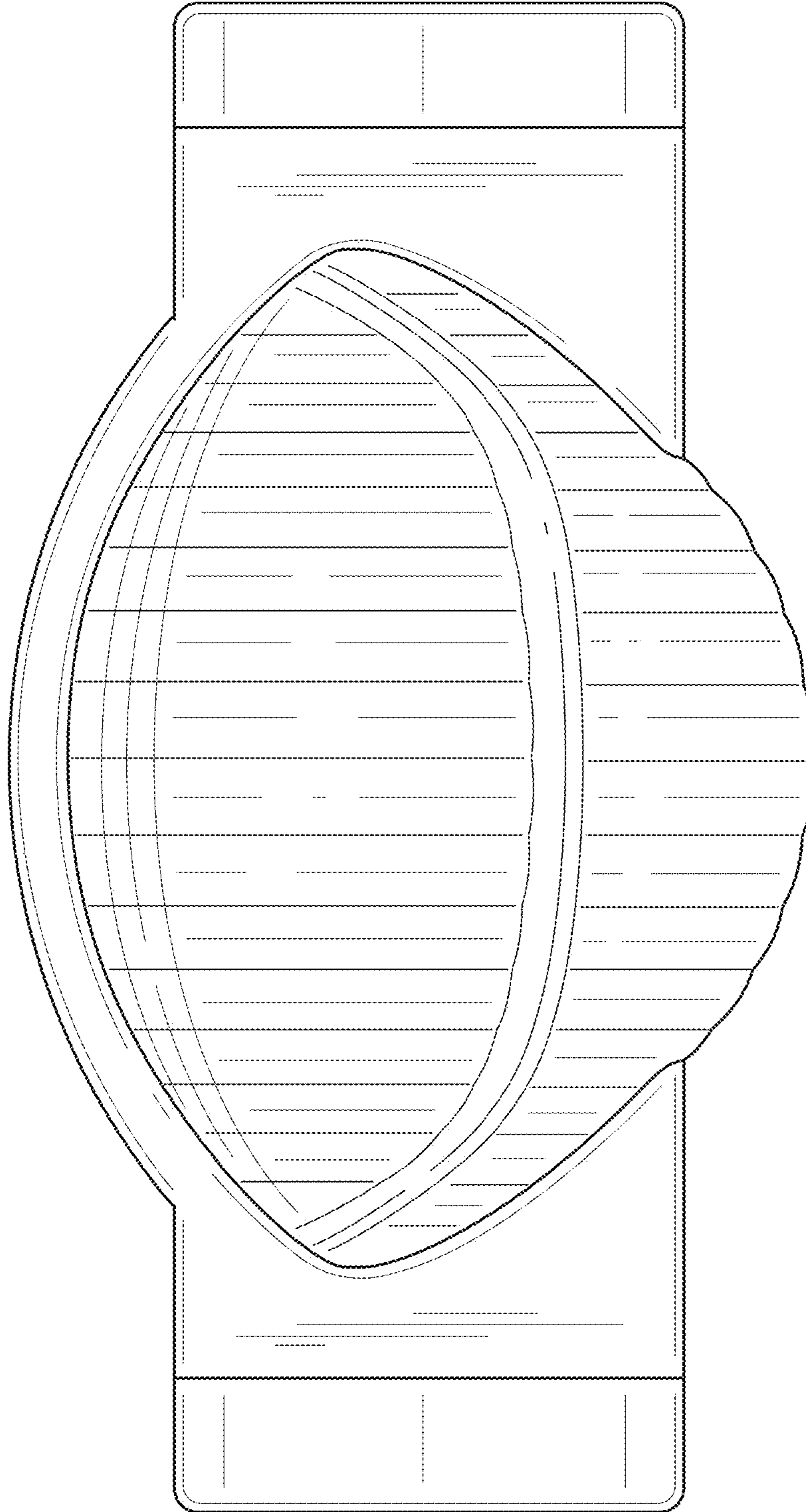


FIG. 7



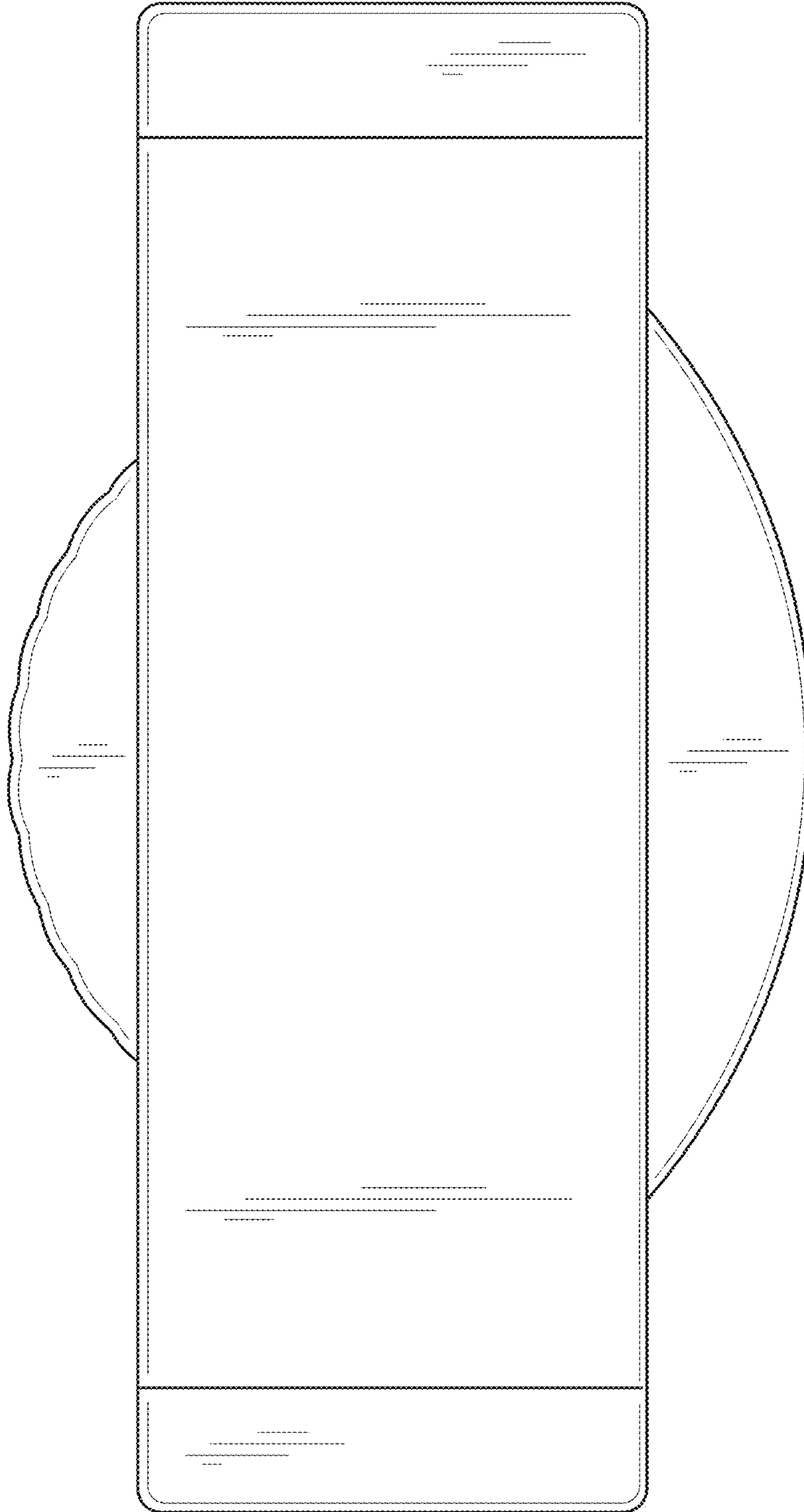


FIG. 8