



US00D886930S

(12) **United States Design Patent**
Miller et al.

(10) **Patent No.:** **US D886,930 S**
(45) **Date of Patent:** **** Jun. 9, 2020**

(54) **HALF SKATE WHEEL ROLLER**

(71) Applicants: **Andrew Miller**, Owensboro, KY (US);
Tommy L. Alderson, Henderson, KY (US)

(72) Inventors: **Andrew Miller**, Owensboro, KY (US);
Tommy L. Alderson, Henderson, KY (US)

(**) Term: **15 Years**

(21) Appl. No.: **29/672,653**

(22) Filed: **Dec. 7, 2018**

(51) **LOC (12) Cl.** **21-02**

(52) **U.S. Cl.**
USPC **D21/779**

(58) **Field of Classification Search**
USPC D21/419, 421, 423, 426-428, 435, 563,
D21/760, 765, 771, 779
CPC . B62K 3/002; B62K 9/00; B62K 9/02; B62K
13/00; B62K 2202/00
See application file for complete search history.

(56) **References Cited**

U.S. PATENT DOCUMENTS

D266,396 S * 10/1982 Neville 16/107
5,362,075 A * 11/1994 Szendel A63C 17/22
280/11.223

D364,841 S * 12/1995 Brannan D12/207
D380,804 S * 7/1997 Gulla D12/207
5,714,100 A * 2/1998 Jou B29C 44/181
264/154
5,954,348 A * 9/1999 Santarsiero A63C 17/14
280/11.201
6,065,760 A * 5/2000 Weygandt A63C 17/22
280/11.19
6,176,554 B1 * 1/2001 Huang A63C 17/22
301/5.7

* cited by examiner

Primary Examiner — Cynthia M. Chin

(57) **CLAIM**

The ornamental design for a half skate wheel roller, as shown and described.

DESCRIPTION

FIG. 1 is a back, top perspective view of a half skate wheel roller of my new design;
FIG. 2 is a back, bottom perspective view of FIG. 1;
FIG. 3 is a front perspective view of FIG. 1; and,
FIG. 4 is a front perspective view of FIG. 2.

1 Claim, 4 Drawing Sheets

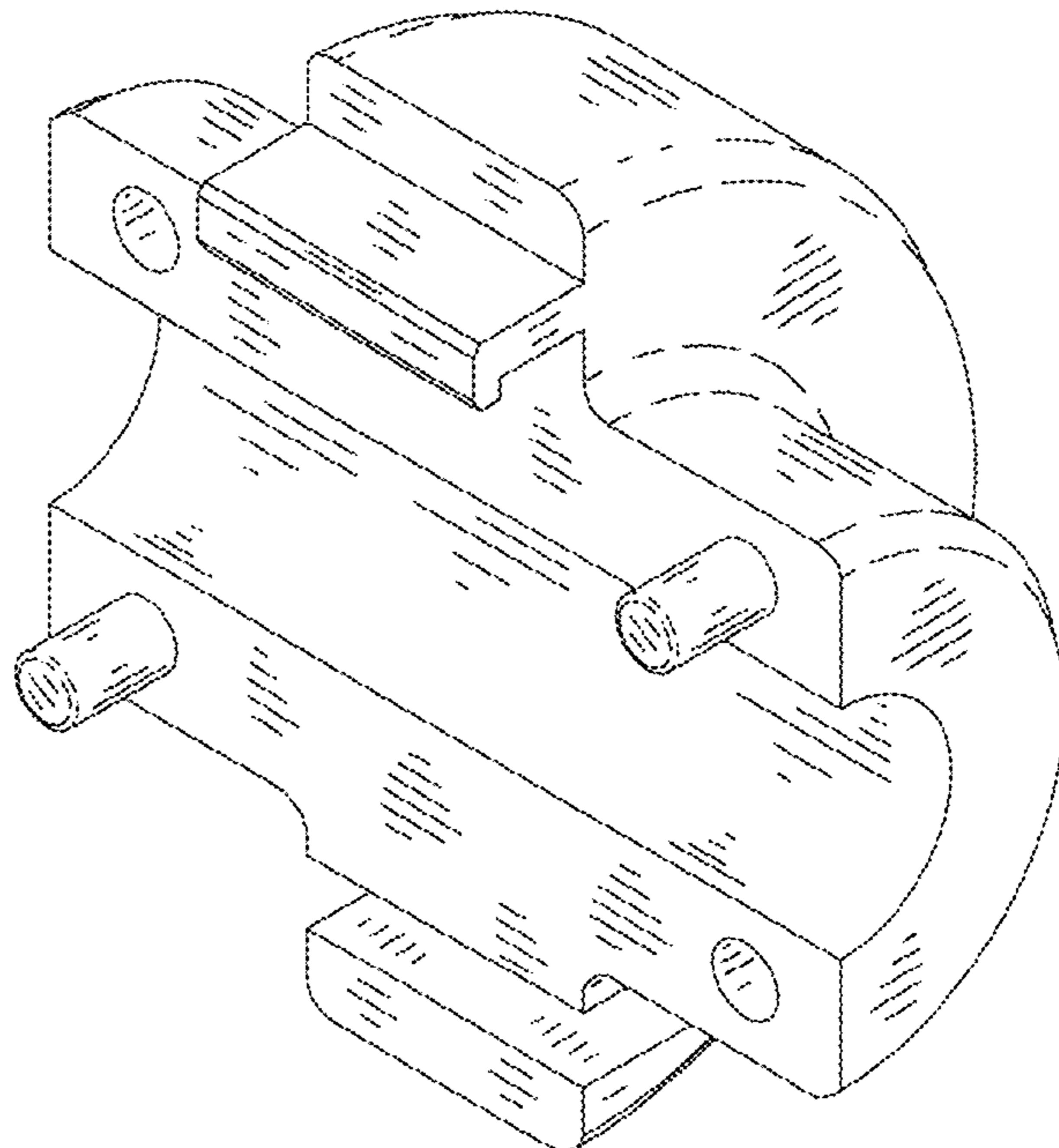
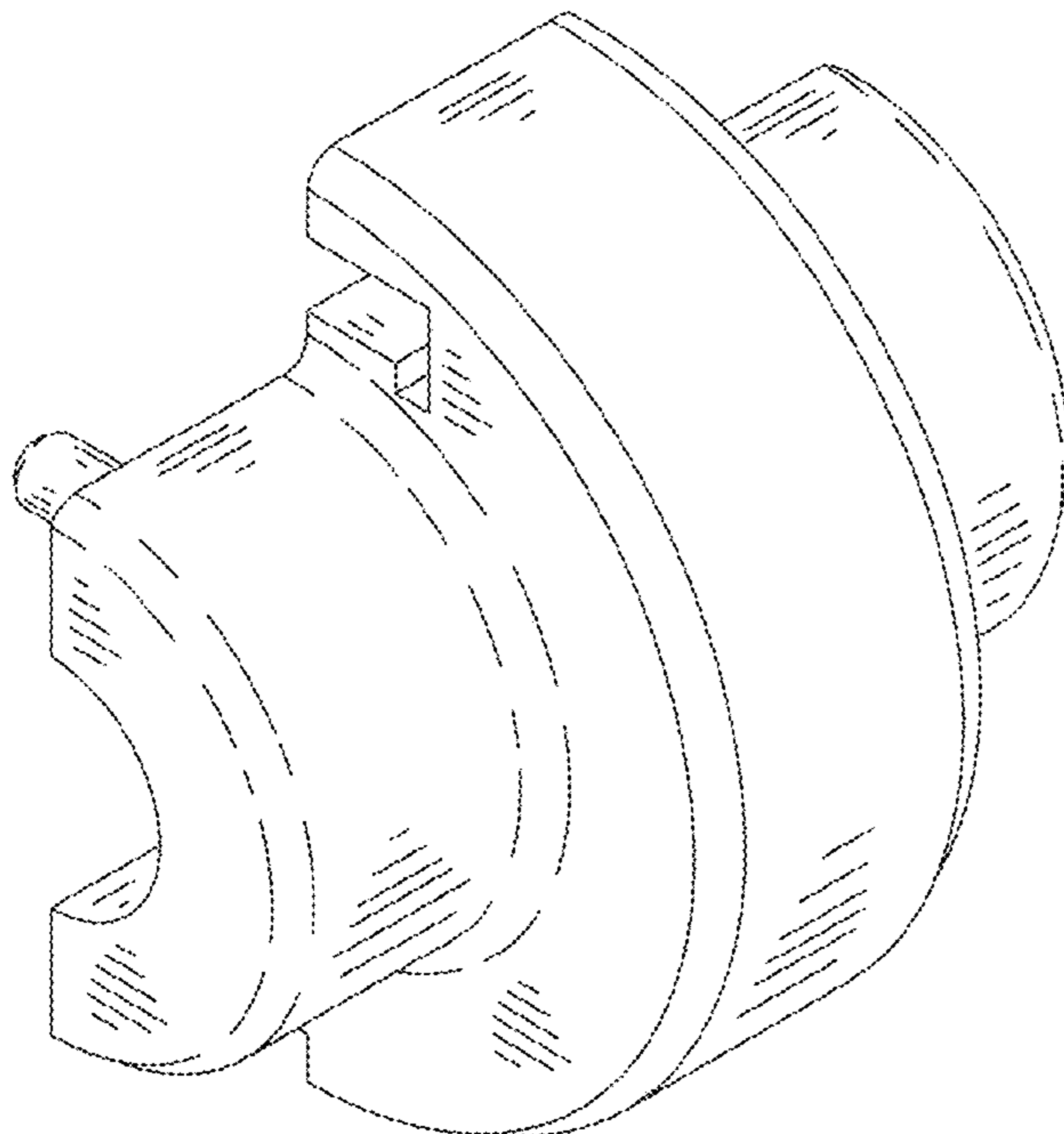


Fig. 1

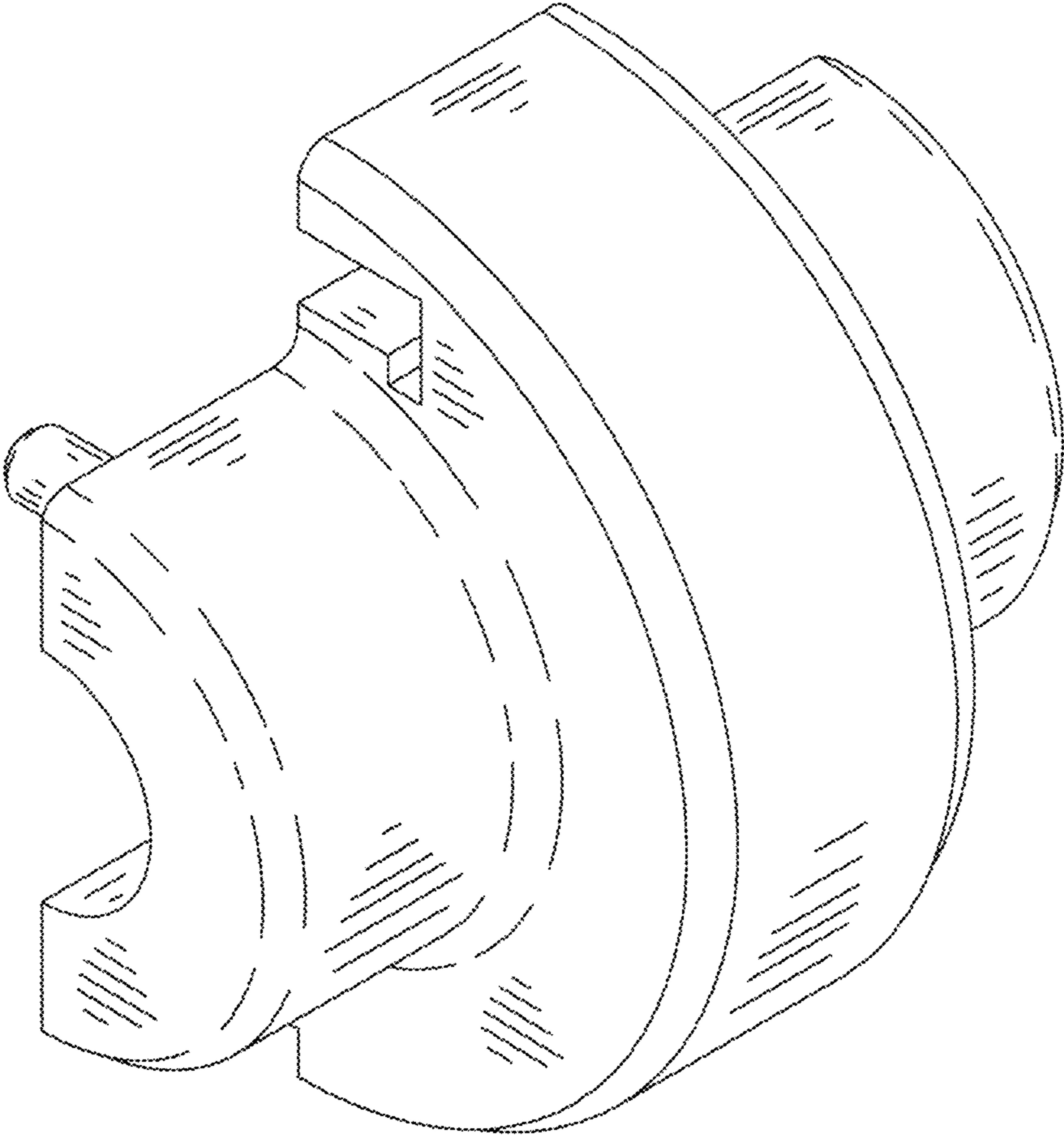


Fig. 2

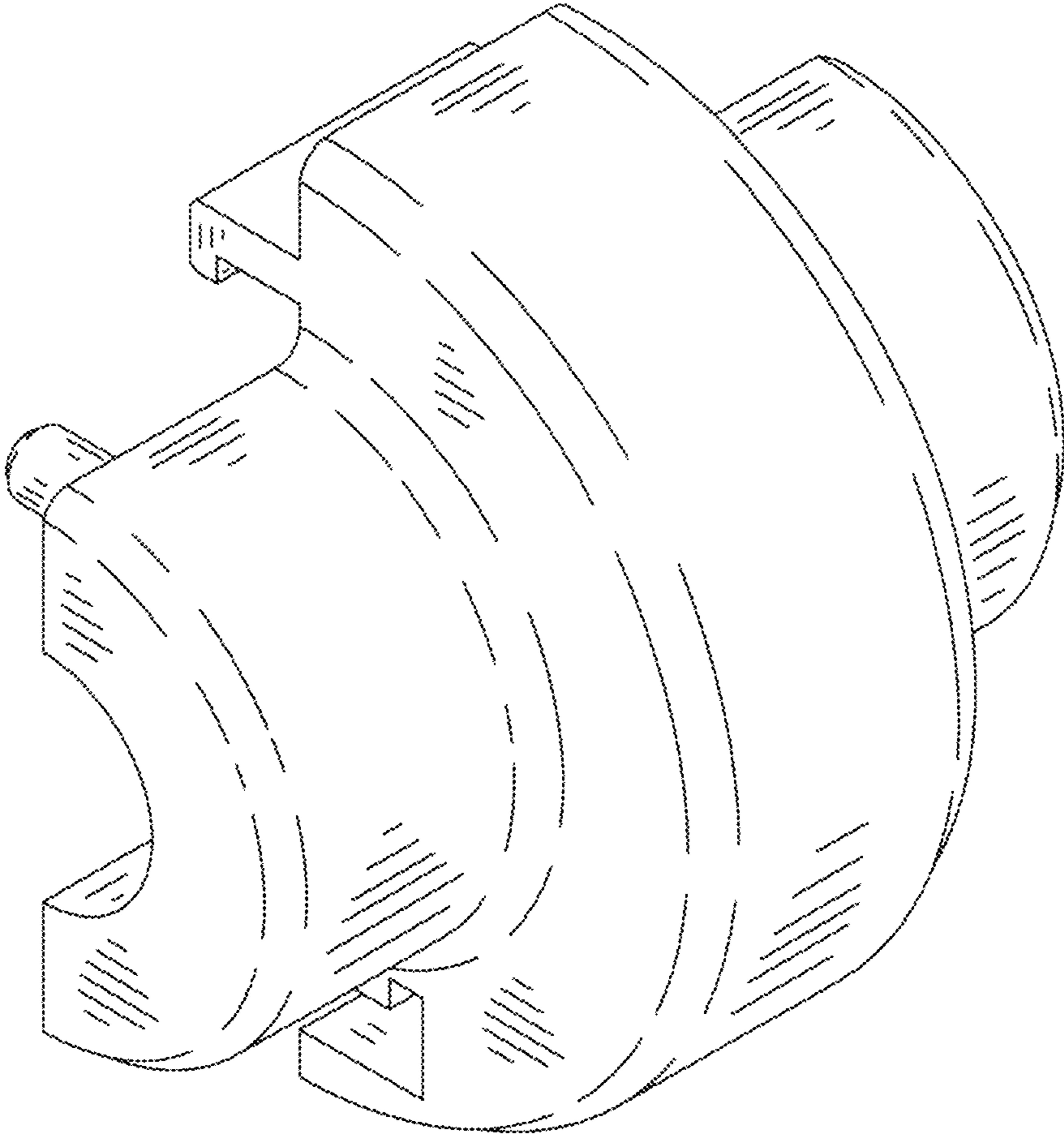


Fig. 3

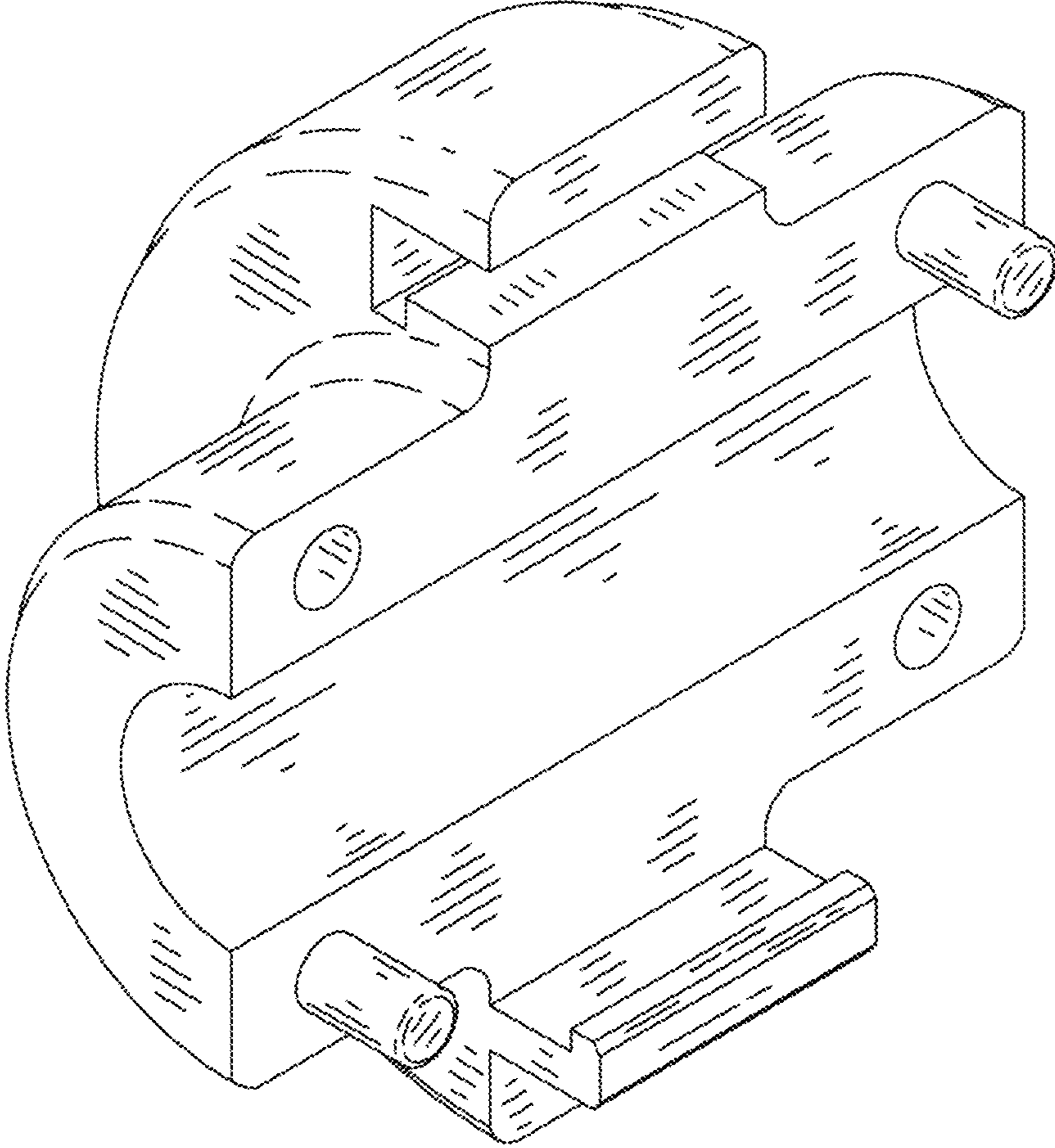


Fig. 4

