



US00D886923S

(12) **United States Design Patent**
Hsiung

(10) **Patent No.: US D886,923 S**

(45) **Date of Patent: ** Jun. 9, 2020**

- (54) **SPINNING WHEEL FOR EXERCISE BIKES**
- (71) Applicant: **Bob Hsiung**, Taipei (TW)
- (72) Inventor: **Bob Hsiung**, Taipei (TW)
- (**) Term: **15 Years**
- (21) Appl. No.: **29/618,375**
- (22) Filed: **Sep. 21, 2017**
- (51) **LOC (12) Cl. 21-02**
- (52) **U.S. Cl.**
USPC **D21/697**
- (58) **Field of Classification Search**
USPC D21/663, 667, 666, 697, 694, 665, 668,
D21/664, 690, 676, 670; 482/57, 62,
482/111, 139, 145, 60, 51, 123, 72, 61,
482/58, 9, 59, 80; 74/502.4, 502.6,
74/594.2, 594.1, 48; D12/178, 411, 345,
D12/211, 209, 205; D23/382, 381, 378,
D23/412, 411, 413, 377; D13/115;
D15/7, 138, 5
CPC ... A63B 22/0605; A63B 21/225; A63B 69/16;
A63B 21/015; A63B 2225/09; A63B
2022/0652
See application file for complete search history.

- 5,290,212 A * 3/1994 Metcalf A63B 21/0088
482/111
- D378,506 S * 3/1997 Stolz D12/209
- D382,530 S * 8/1997 Raudman D12/211
- 6,159,132 A * 12/2000 Chang A63B 21/225
482/57
- D543,495 S * 5/2007 Williams D12/345
- D548,581 S * 8/2007 Du Rousseau D8/399
- D555,742 S * 11/2007 Lai D21/694
- 8,052,581 B1 * 11/2011 Lohr A63B 21/015
482/63
- D676,508 S * 2/2013 Wu D21/667
- D677,349 S * 3/2013 Baudhuin D21/667
- D682,371 S * 5/2013 Baudhuin D21/667
- D699,305 S * 2/2014 Rauwerdink D21/665
- D700,668 S * 3/2014 Flick D12/209
- D709,566 S * 7/2014 Baudhuin D21/667
- D712,434 S * 9/2014 Hastings D15/7
- D715,223 S * 10/2014 Pepis D13/115
- D740,337 S * 10/2015 McCoy D15/138
- D748,210 S * 1/2016 Kristiansen D21/667
- D806,627 S * 1/2018 Lee D12/211
- D836,733 S * 12/2018 Curbbun D21/667

(Continued)

Primary Examiner — Ryan Harvey

(74) Attorney, Agent, or Firm — Leong C. Lei

(57) **CLAIM**

The ornamental design for a spinning wheel for exercise bikes, as shown and described.

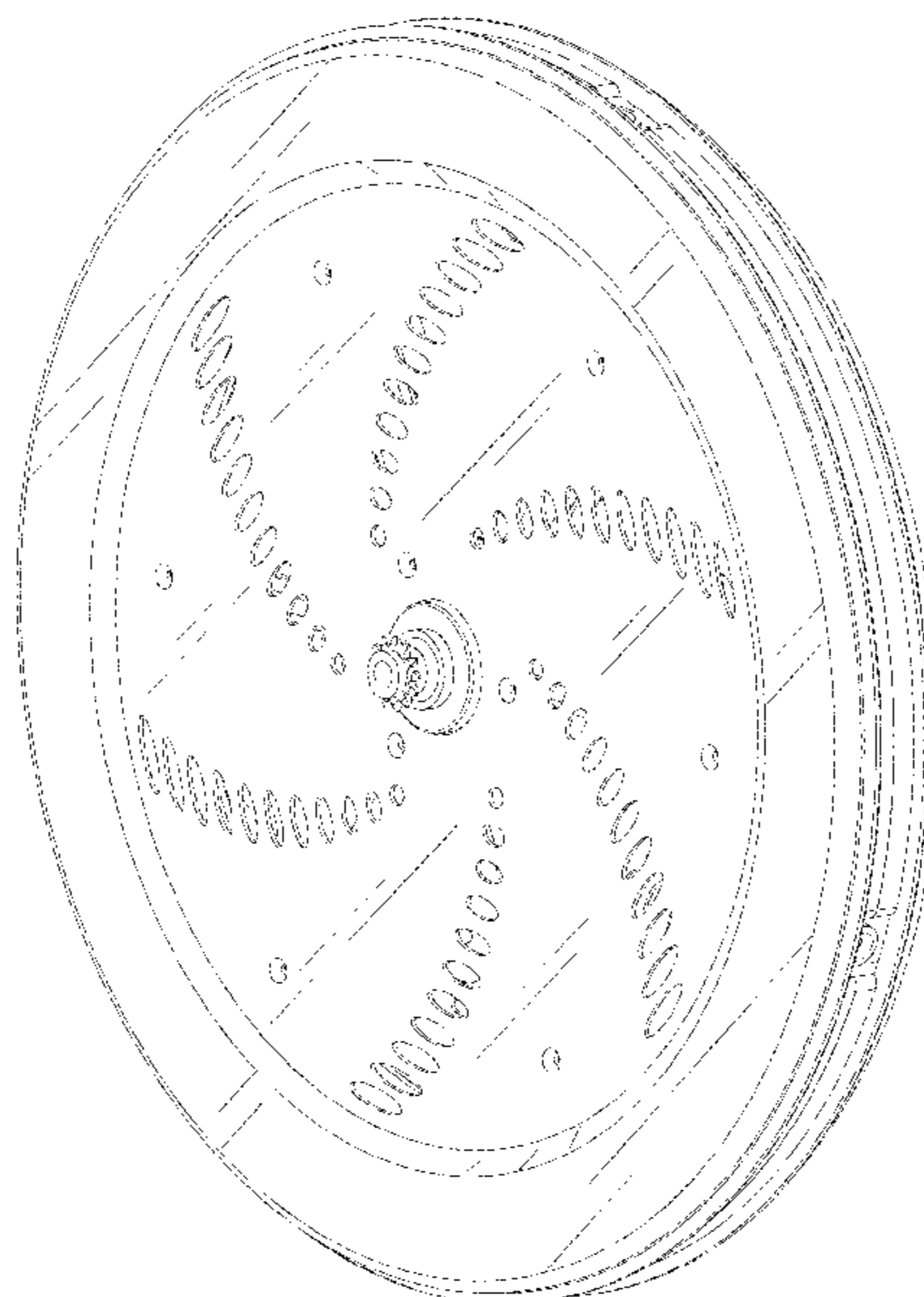
DESCRIPTION

FIG. 1 is a perspective view of a spinning wheel for exercise bikes showing my new design;
FIG. 2 is a front elevational view thereof;
FIG. 3 is a rear elevational view thereof;
FIG. 4 is a left side perspective view thereof;
FIG. 5 is a right side perspective view thereof;
FIG. 6 is a top plan view thereof; and,
FIG. 7 is a bottom plan view thereof.

1 Claim, 6 Drawing Sheets

(56) **References Cited**
U.S. PATENT DOCUMENTS

- D243,028 S * 1/1977 Proctor D21/667
- D256,688 S * 9/1980 Zielinski D12/205
- D263,231 S * 3/1982 Nitz D15/148
- D280,003 S * 8/1985 Kiiski D21/667
- D282,191 S * 1/1986 Bell D21/667
- D291,462 S * 8/1987 Aalto D21/667
- D291,713 S * 9/1987 Kiiski D21/667
- D293,598 S * 1/1988 Kiiski D21/667
- D305,348 S * 1/1990 Schuring D21/666
- D308,085 S * 5/1990 Alberta D21/666
- D323,863 S * 2/1992 Watterson D21/667



(56)

References Cited

U.S. PATENT DOCUMENTS

D852,905 S * 7/2019 Flick D21/667
D863,466 S * 10/2019 Campanaro D21/667
2006/0079382 A1* 4/2006 Lassanske A63B 21/22
482/63
2008/0033311 A1* 2/2008 Sledge A61B 5/024
600/509
2009/0047134 A1* 2/2009 Chen F01D 5/141
416/223 R
2009/0156371 A1* 6/2009 Goldberg A63B 21/225
482/62
2010/0234188 A1* 9/2010 Wan A63B 69/16
482/61
2011/0105282 A1* 5/2011 Pinzon A63B 22/0605
482/57
2013/0061714 A1* 3/2013 Hsiung A63B 21/225
74/572.11
2018/0117383 A1* 5/2018 Workman A63B 21/00069

* cited by examiner

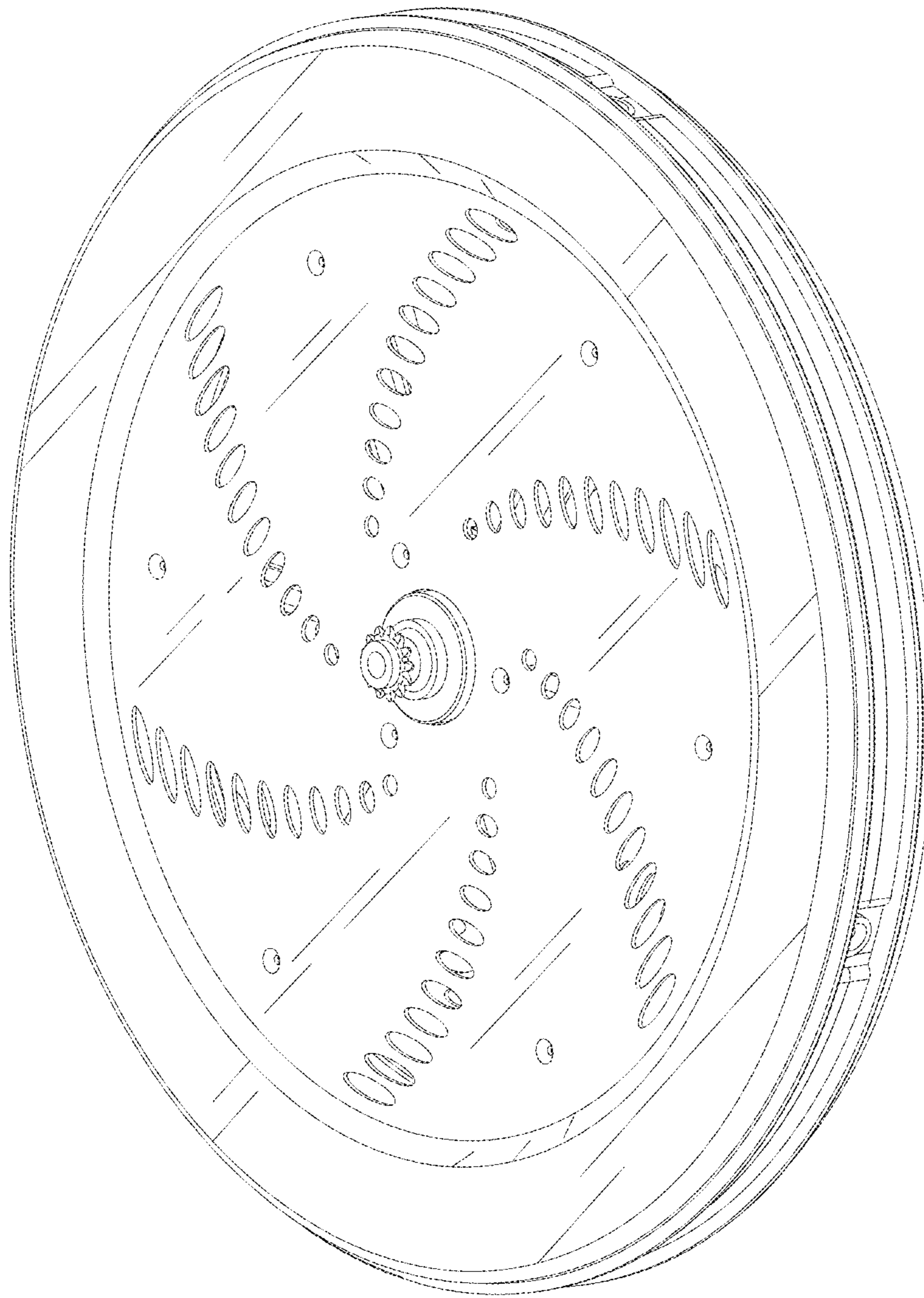


FIG. 1

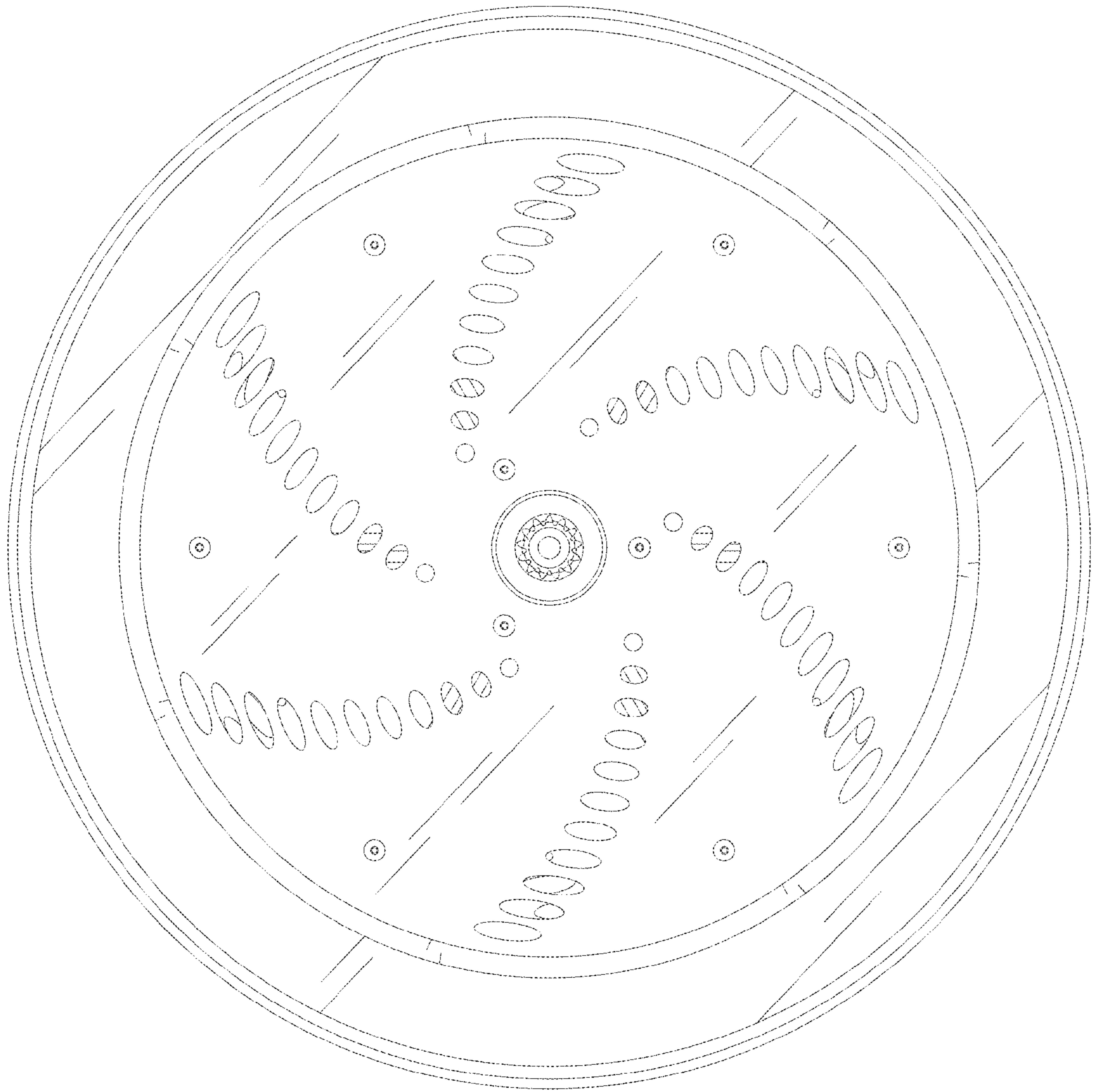


FIG. 2

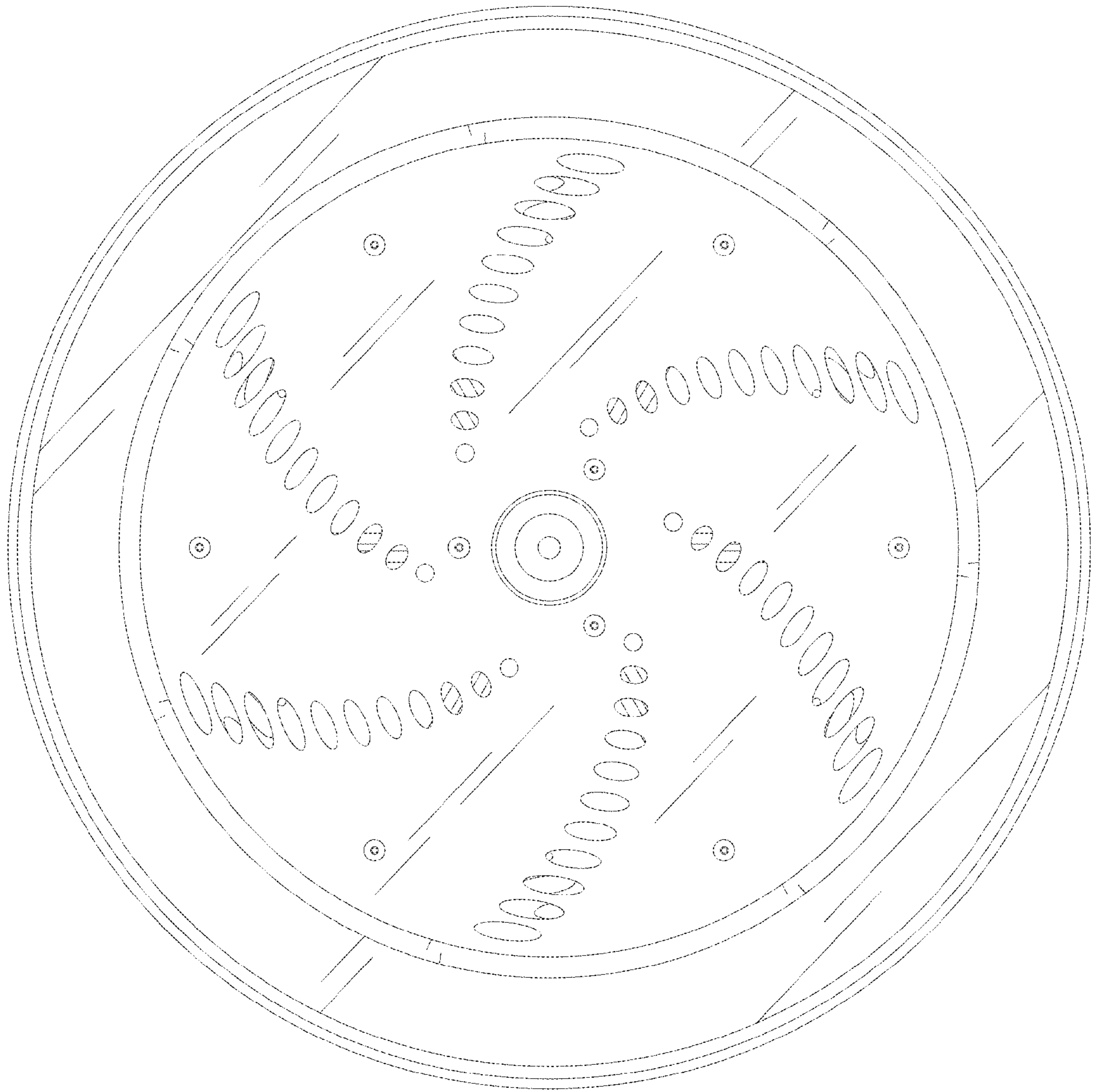


FIG. 3

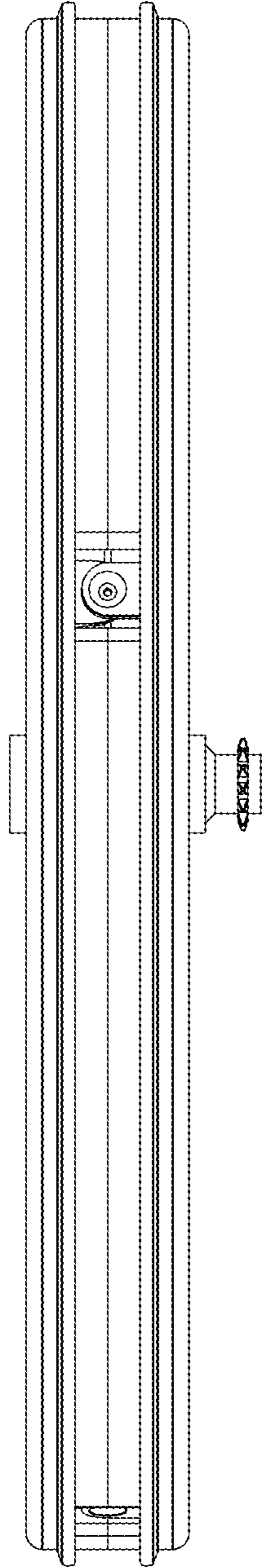


FIG. 4

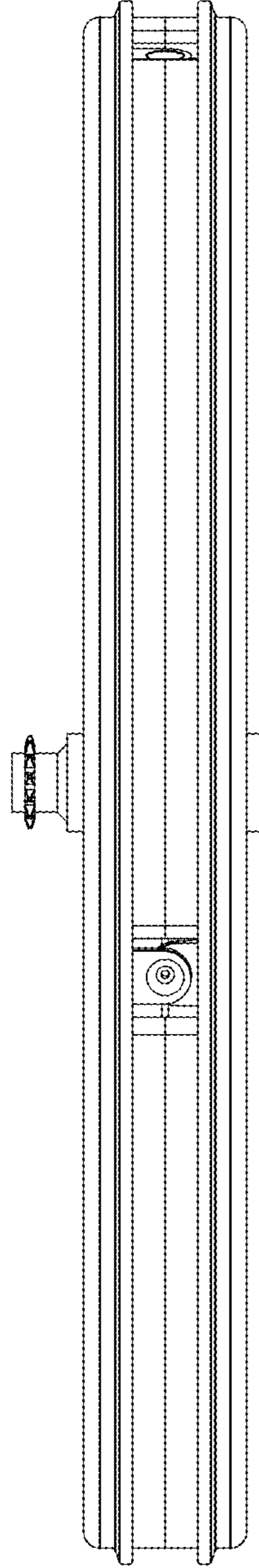


FIG. 5

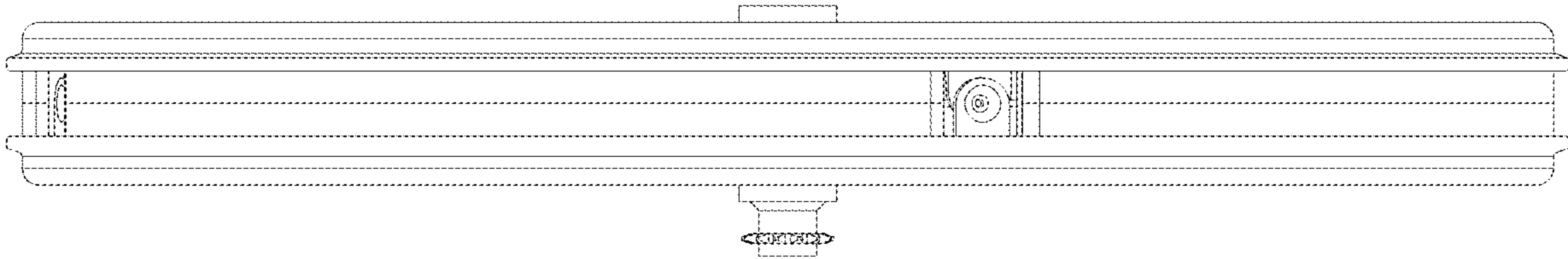


FIG. 6

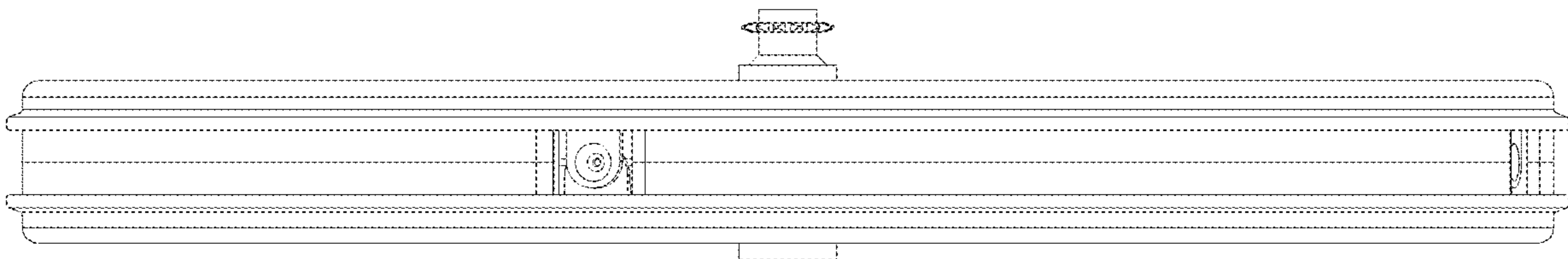


FIG. 7