



US00D886921S

(12) **United States Design Patent**
Cedro

(10) **Patent No.:** **US D886,921 S**

(45) **Date of Patent:** **** Jun. 9, 2020**

- (54) **EXERCISE DEVICE**
- (71) Applicant: **Warrior Fitness Products LLC**,
Hohokus, NJ (US)
- (72) Inventor: **Keith C. Cedro**, Hohokus, NJ (US)
- (73) Assignee: **WARRIOR FITNESS PRODUCTS LLC**, Hohokus, NJ (US)
- (**) Term: **15 Years**
- (21) Appl. No.: **29/710,800**
- (22) Filed: **Oct. 25, 2019**
- (51) **LOC (12) Cl.** **21-02**
- (52) **U.S. Cl.**
USPC **D21/686**
- (58) **Field of Classification Search**
USPC D21/686, 662, 679, 691, 680, 681, 682,
D21/684, 685, 688, 800, 692; D24/188,
D24/194; D6/349, 601; 482/95, 93, 91,
482/46, 44, 41, 40, 38, 12, 148, 145, 144,
482/142, 141, 139, 132, 128, 121, 112,
482/110, 109, 108, 106
CPC ... A63B 23/1218; A63B 1/00; A63B 21/4035;
A63B 21/00047; A63B 23/1236; A63B
21/1636; A63B 21/1645; A63B 21/068;
A63B 23/12; A63B 21/0724; A63B
21/1627; A63B 21/169
See application file for complete search history.

- D315,003 S * 2/1991 Huang D21/682
- D324,088 S 2/1992 Van Note
- 5,181,897 A * 1/1993 Agan A63B 23/12
482/141
- D332,981 S 2/1993 Poli
- D339,836 S * 9/1993 Wallisch D21/692
- D345,468 S * 3/1994 McVicker D6/349
- D354,100 S 1/1995 Tsay
- 5,607,380 A * 3/1997 Duty A63B 21/00047
482/141
- D382,610 S 8/1997 Maycock
- D432,603 S 10/2000 Bullard
- 6,406,406 B1 * 6/2002 Onorati A63B 21/0004
482/44
- D479,289 S 9/2003 Turner
- D523,493 S 6/2006 Horton
- D576,693 S 9/2008 Khubani
- D579,503 S 10/2008 Hauser
- D580,998 S 11/2008 Lin
- D585,947 S * 2/2009 Royster D21/662

(Continued)

Primary Examiner — Ryan Harvey
(74) *Attorney, Agent, or Firm* — Hodgson Russ LLP

(57) **CLAIM**

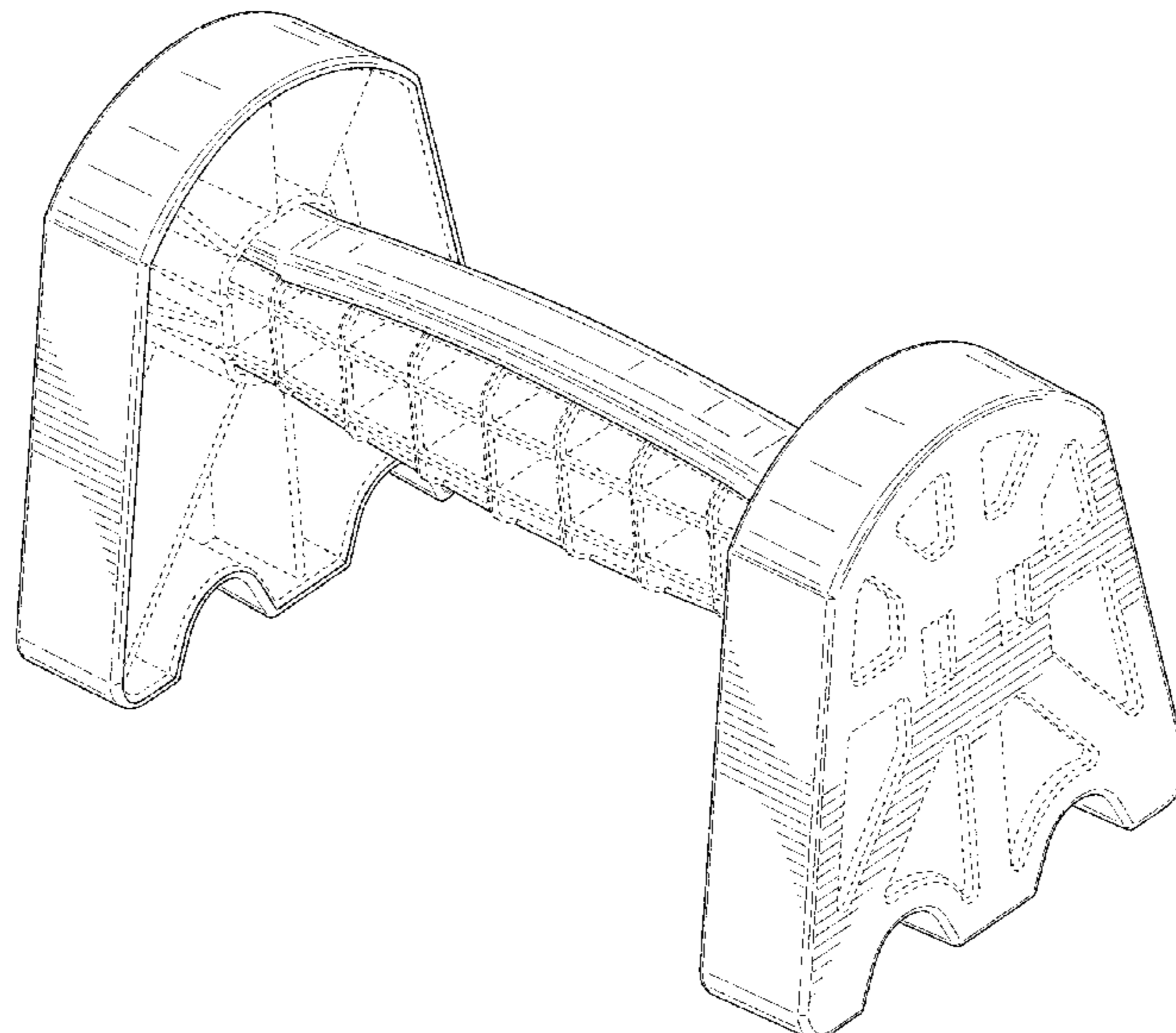
The ornamental design for an exercise device, as shown and described.

DESCRIPTION

FIG. 1 is a top perspective view of an exercise device, showing my new design;
FIG. 2 is a bottom perspective view thereof;
FIG. 3 is a top plan view thereof;
FIG. 4 is a bottom plan view thereof;
FIG. 5 is a front elevation view thereof;
FIG. 6 is a rear elevation view thereof;
FIG. 7 a right side elevation view thereof; and,
FIG. 8 is left side elevation a view thereof.
The broken lines in the figures illustrate portions of the exercise device that form no part of the claimed design.

1 Claim, 8 Drawing Sheets

- (56) **References Cited**
U.S. PATENT DOCUMENTS
- 2,817,347 A 12/1957 Hilt, Sr.
- D200,053 S * 1/1965 Edwards D21/681
- 4,327,907 A * 5/1982 DeVries A63B 21/00047
482/141
- 4,351,525 A 9/1982 Rozenblad
- D269,691 S 7/1983 Ornstein
- 4,854,573 A 8/1989 Johannson



(56)

References Cited

U.S. PATENT DOCUMENTS

D593,168 S 5/2009 Khubani
 7,553,267 B1* 6/2009 Hauser A63B 21/00047
 482/141
 D597,153 S * 7/2009 Friedman D21/662
 D599,417 S * 9/2009 Friedman D21/662
 7,604,582 B2 10/2009 Abdallah
 7,678,031 B2* 3/2010 Ngu A63B 21/075
 482/107
 7,780,575 B1 8/2010 Goodwin
 D631,106 S * 1/2011 Zemel D21/662
 D651,669 S * 1/2012 Garland D21/662
 D653,714 S 2/2012 Meininger
 D662,997 S 7/2012 Su
 D666,684 S 9/2012 Meininger
 D685,038 S 6/2013 Crain
 D695,364 S * 12/2013 Khalil D21/662
 D704,779 S * 5/2014 Boatwright D21/686
 D712,987 S 9/2014 Salzedo
 8,888,668 B2* 11/2014 Delisle A63B 21/075
 482/108
 D725,725 S * 3/2015 White D21/682
 D731,011 S * 6/2015 Buchanan D21/682
 D738,969 S * 9/2015 Smith D21/662
 D739,900 S * 9/2015 Smith D21/662
 9,155,934 B2 10/2015 Kassel
 9,216,315 B1* 12/2015 Chang A63B 21/075
 D754,265 S * 4/2016 White D21/682
 9,308,416 B1* 4/2016 Oliverlo A63B 23/0355
 9,358,414 B2* 6/2016 Dephouse A63B 21/0004
 9,358,419 B1* 6/2016 Smith A63B 21/06
 D769,992 S * 10/2016 Rost D21/688
 9,511,250 B2 12/2016 Neal
 9,623,273 B1* 4/2017 Chen A63B 23/1236
 9,630,045 B1* 4/2017 Martin, Sr. A63B 21/0726
 D788,072 S * 5/2017 Leeper D14/209.1
 D790,724 S 6/2017 Black
 9,717,948 B1 8/2017 Hsu
 D799,610 S * 10/2017 Ho D21/681
 D805,140 S * 12/2017 Hodes D21/681
 D812,234 S * 3/2018 Miller D24/188
 D823,405 S * 7/2018 Roepke D21/694
 10,058,725 B2* 8/2018 LaCaze A63B 21/023
 10,099,082 B2* 10/2018 Kravchenko A63B 21/0726
 D839,365 S 1/2019 Martinez
 D841,916 S * 2/2019 Cira D32/42
 10,213,640 B2* 2/2019 St. Jeor A63B 21/4035
 D844,075 S 3/2019 St. Jeor
 D846,664 S 4/2019 Martinez
 D848,554 S * 5/2019 Prince, II D21/686
 2002/0032952 A1* 3/2002 Munari A47J 45/062
 16/406

2003/0104909 A1* 6/2003 Teran A63B 21/00047
 482/141
 2004/0266593 A1 12/2004 Schwendeman
 2005/0101461 A1* 5/2005 Johnson A63B 21/0004
 482/141
 2006/0014615 A1* 1/2006 Godbold A63B 21/00047
 482/141
 2006/0035771 A1* 2/2006 Gant A63B 23/12
 482/141
 2008/0305935 A1* 12/2008 Sanghavi A63B 21/0023
 482/91
 2009/0298656 A1* 12/2009 Dannenberg A63B 22/14
 482/141
 2010/0210430 A1* 8/2010 Mulderrig A63B 22/16
 482/141
 2010/0210431 A1* 8/2010 Hinton A63B 21/00047
 482/141
 2010/0261590 A1* 10/2010 Fares A63B 21/00047
 482/131
 2010/0279833 A1* 11/2010 Gant A63B 21/00047
 482/141
 2011/0071008 A1* 3/2011 Coates A63B 21/00047
 482/131
 2012/0040811 A1 2/2012 DeTore
 2012/0083396 A1* 4/2012 Aquino A63B 21/0004
 482/131
 2012/0258847 A1* 10/2012 Lafferty A63B 21/068
 482/141
 2013/0072365 A1* 3/2013 Ross A63B 21/1636
 482/141
 2013/0123079 A1 5/2013 Peritz
 2014/0005013 A1* 1/2014 Kassemi A63B 21/0726
 482/108
 2014/0018217 A1 1/2014 Brown
 2014/0357459 A1* 12/2014 Izzo A63B 23/1236
 482/141
 2015/0126340 A1* 5/2015 White A63B 21/072
 482/93
 2015/0258364 A1* 9/2015 Hetzel A63B 23/0355
 482/141
 2015/0335935 A1* 11/2015 Peralo A63B 21/4035
 482/93
 2016/0016037 A1* 1/2016 Chang A63B 21/0724
 482/141
 2016/0074693 A1* 3/2016 Henry A63B 21/068
 482/141
 2016/0158597 A1* 6/2016 Nguyen A63B 23/1236
 482/141
 2017/0319895 A1* 11/2017 Davis A63B 21/072
 2018/0169468 A1 6/2018 Barrie
 2018/0185702 A1* 7/2018 Brown A63B 21/0004

* cited by examiner

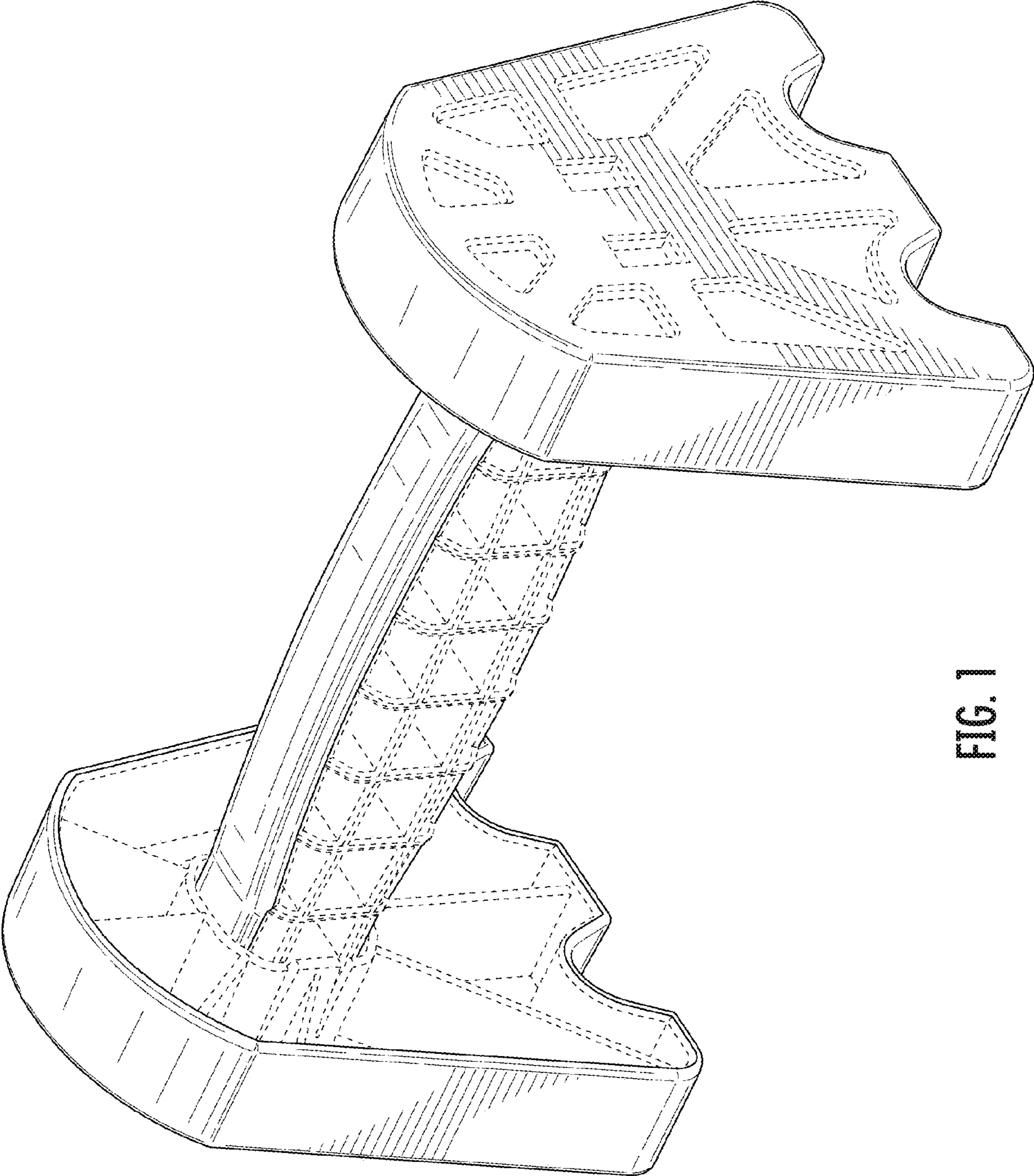


FIG. 1

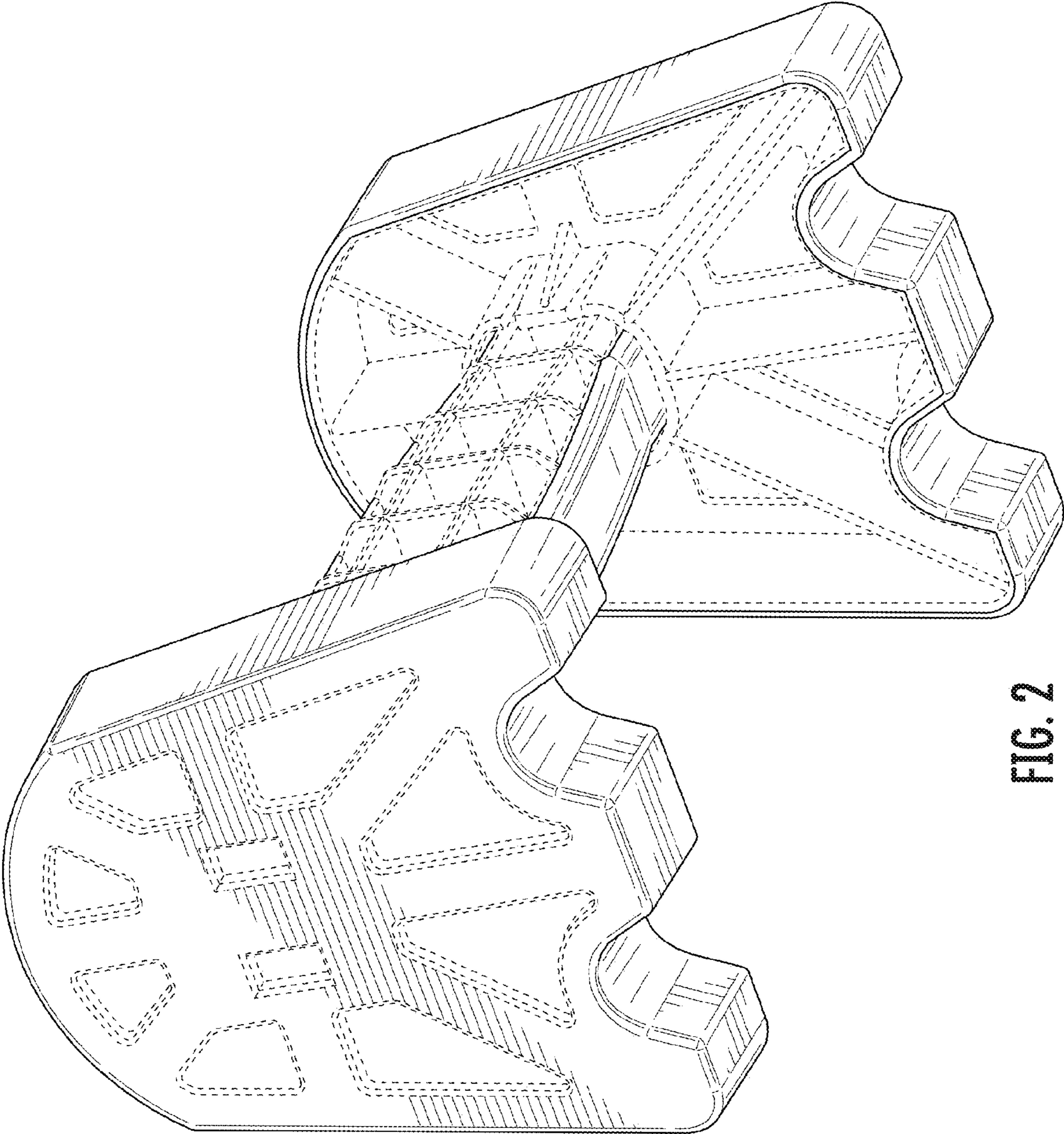


FIG. 2

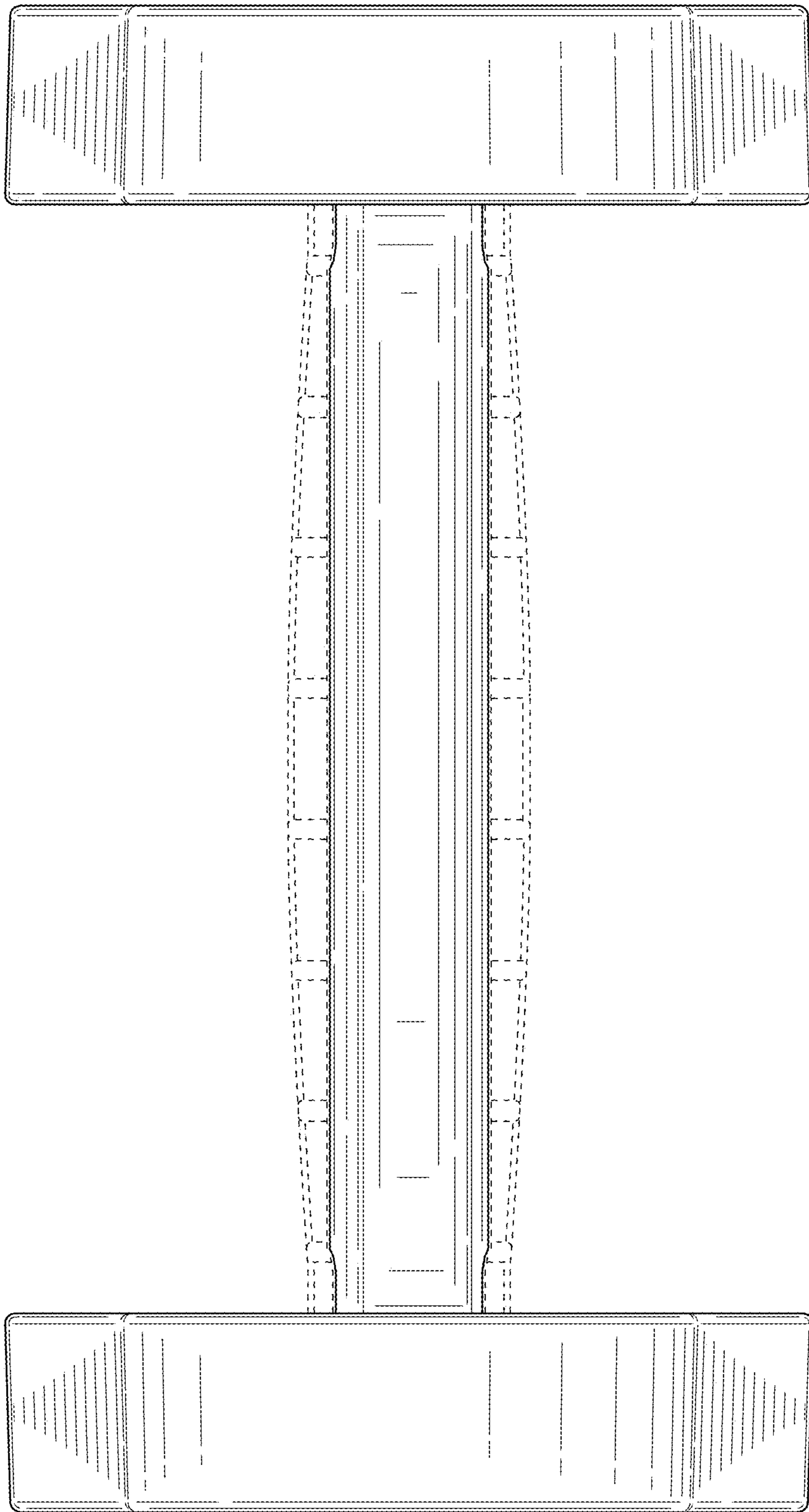


FIG. 3

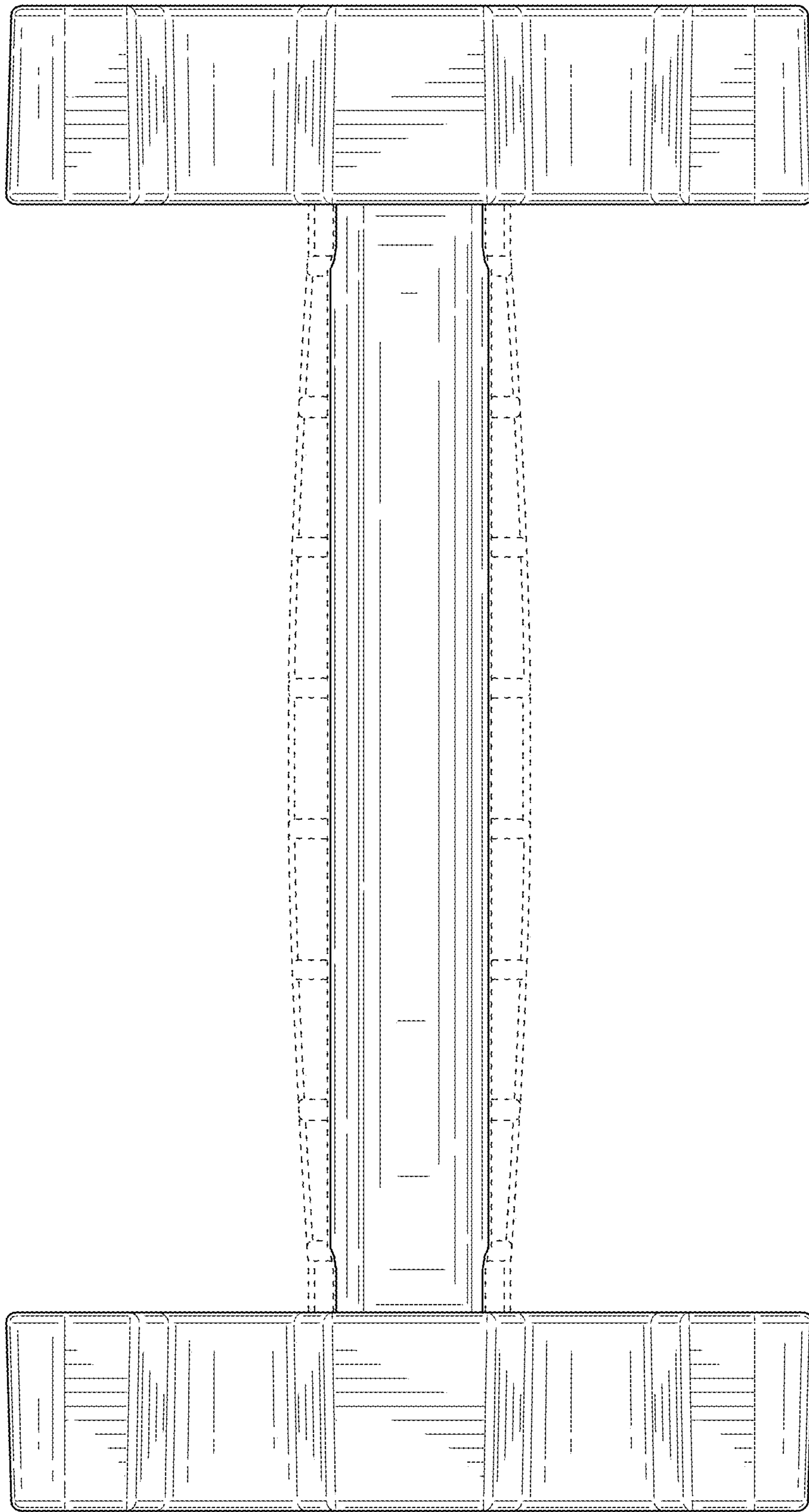


FIG. 4

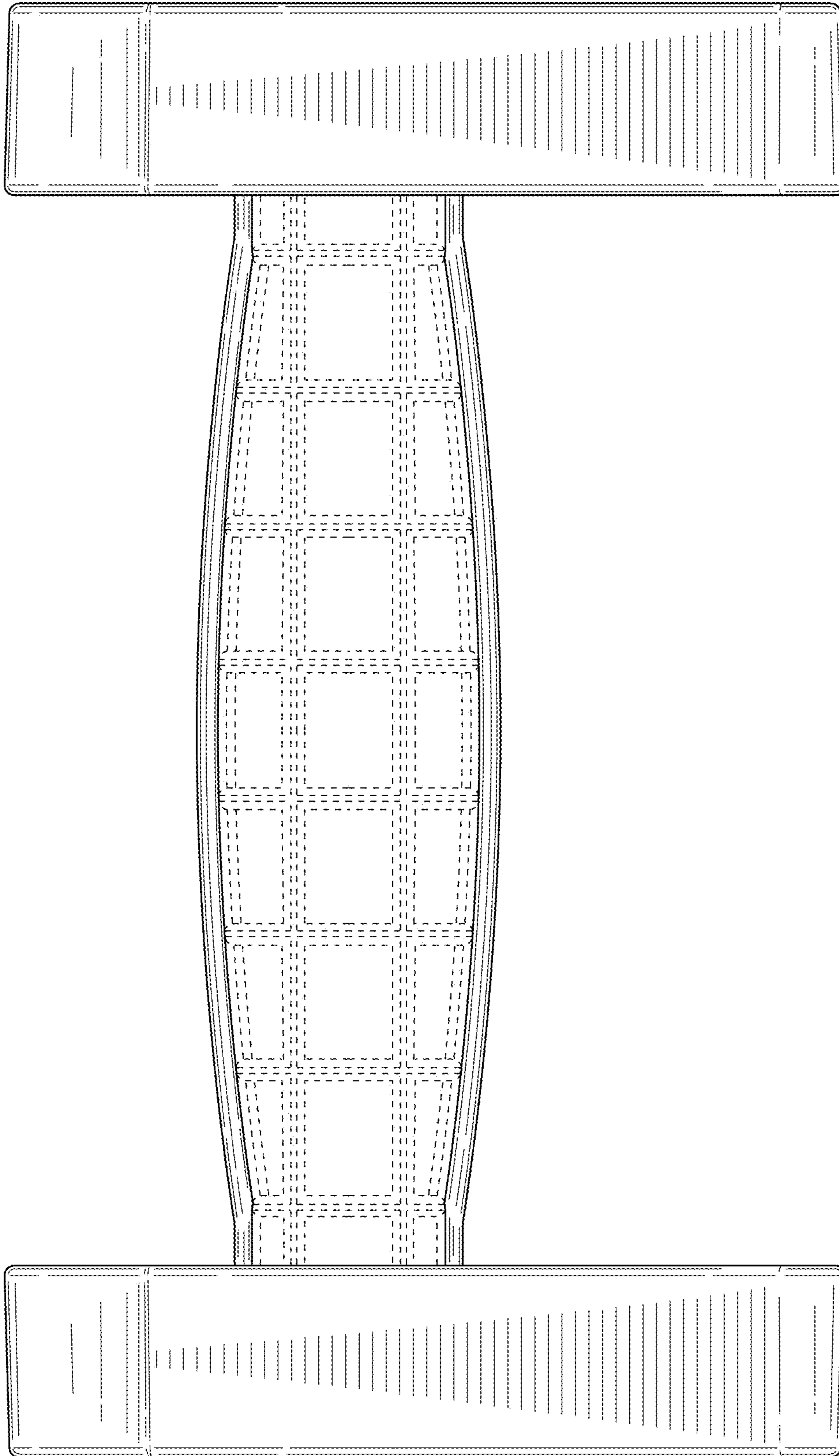


FIG. 5

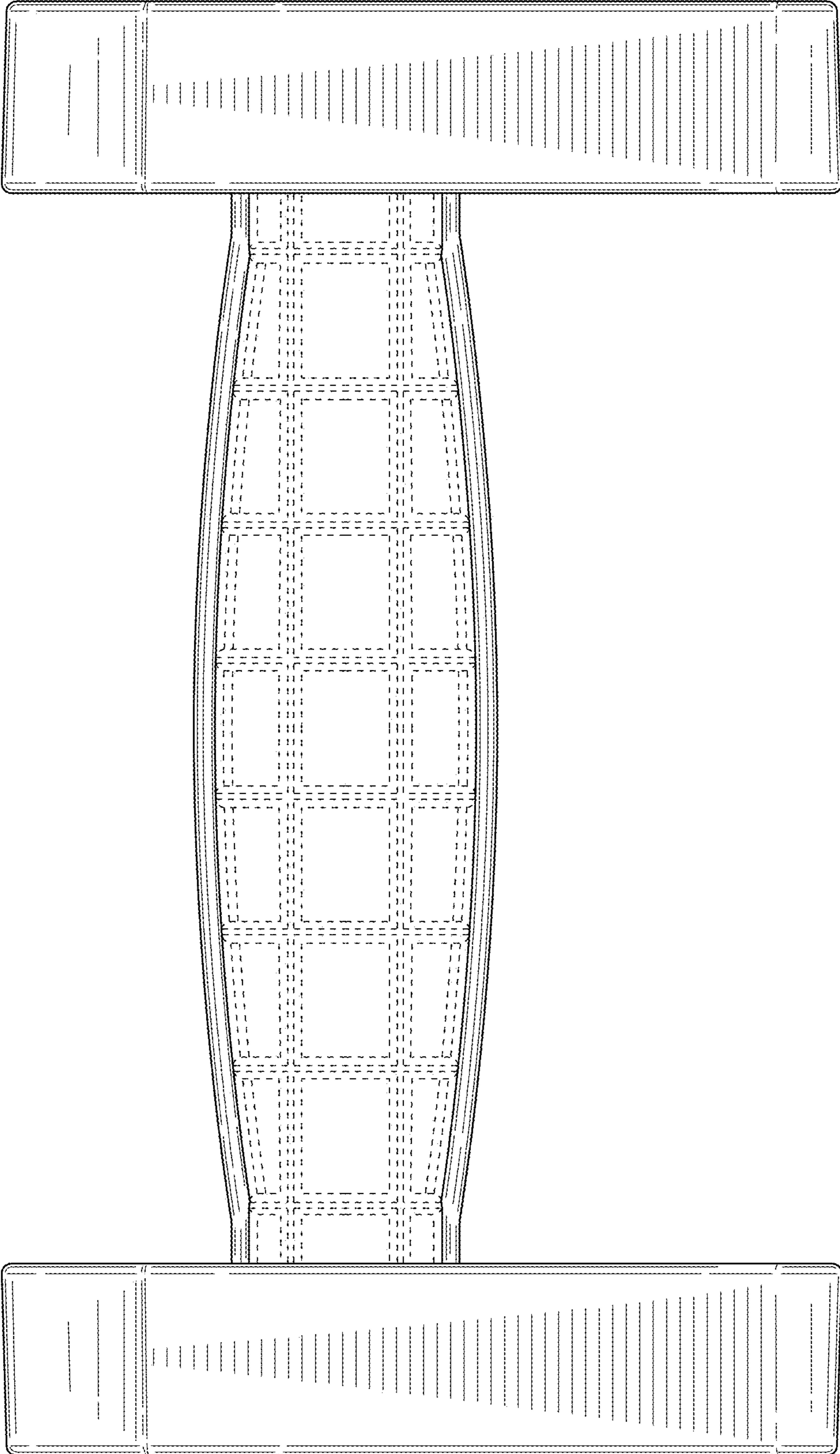


FIG. 6

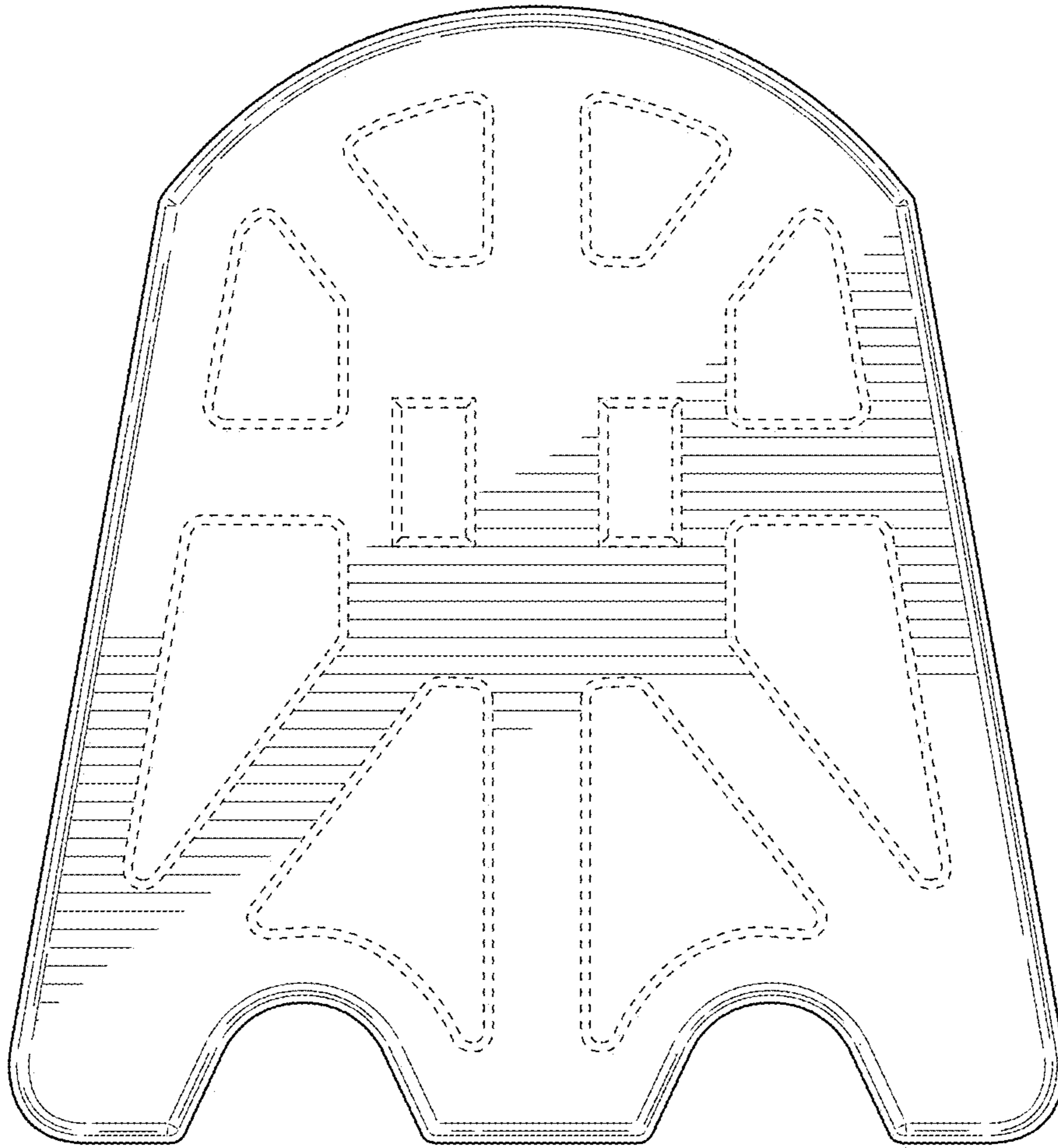


FIG. 7

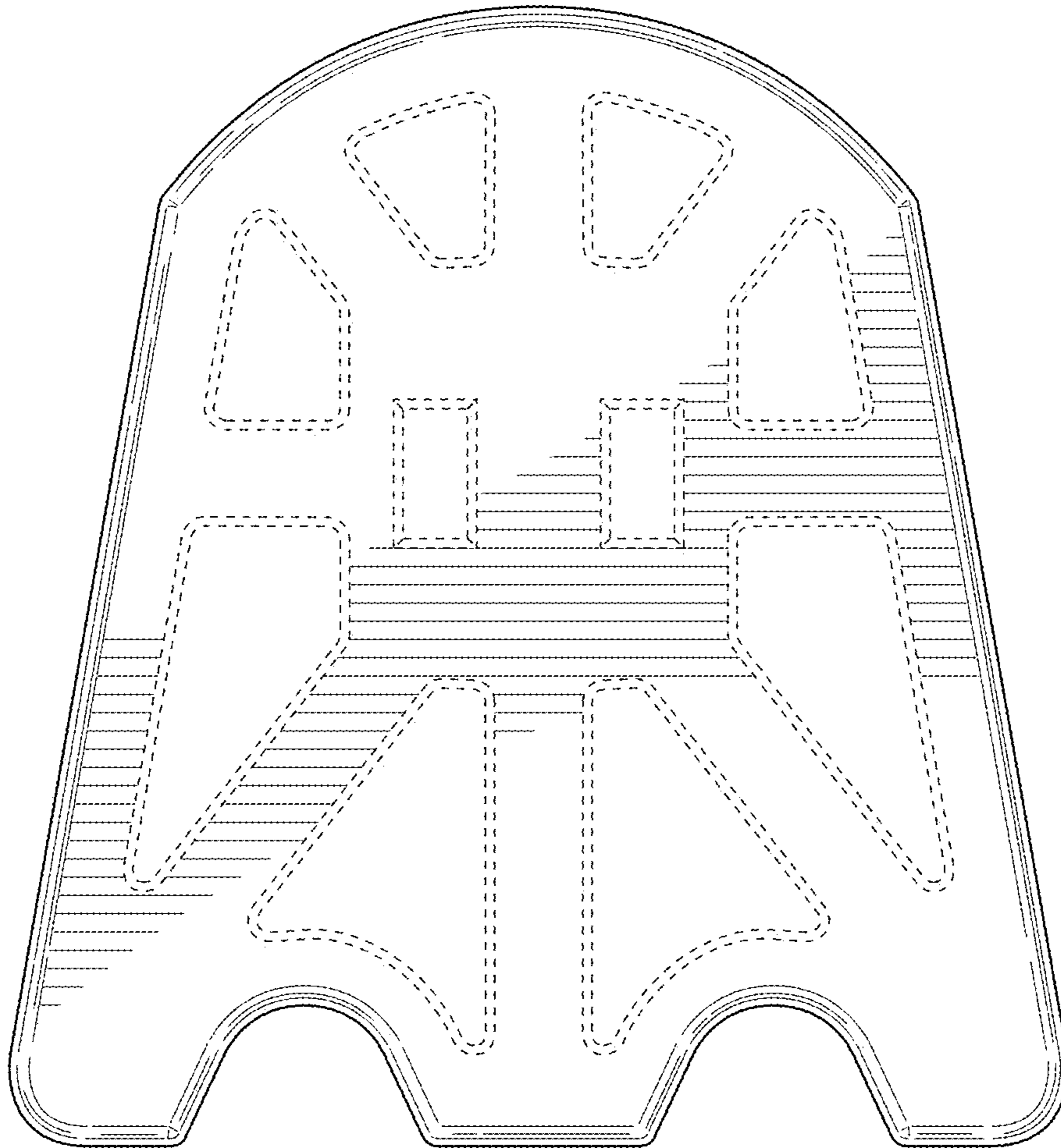


FIG. 8