



US00D886919S

(12) **United States Design Patent**
Gagnon

(10) **Patent No.:** **US D886,919 S**
(45) **Date of Patent:** **** Jun. 9, 2020**

- (54) **EXERCISE BENCH**
- (71) Applicant: **Sean Gagnon**, Chester, NJ (US)
- (72) Inventor: **Sean Gagnon**, Chester, NJ (US)
- (**) Term: **15 Years**
- (21) Appl. No.: **29/637,415**
- (22) Filed: **Feb. 18, 2018**
- (51) **LOC (12) Cl.** **21-02**
- (52) **U.S. Cl.**
USPC **D21/686**
- (58) **Field of Classification Search**
USPC D21/662, 665, 666, 686-690, 696, 811,
D21/814, 817, 818, 826-828; 482/92, 98,
482/101, 117, 123, 135, 146, 148
CPC A63B 23/0211; A63B 2208/0233; A63B
2208/0228; A63B 21/00047; A63G 31/00;
A63G 31/10; A63G 31/14; A63G 31/02;
A63G 25/00; A63G 2031/002; A63G
2031/005
See application file for complete search history.

(56) **References Cited**

U.S. PATENT DOCUMENTS

D406,290 S *	3/1999	McBride	D21/676
D476,384 S *	6/2003	Perez	D21/687
D541,357 S *	4/2007	Webber	D21/690
D541,893 S *	5/2007	Webber	D21/690
D542,868 S *	5/2007	Webber	D21/690
D582,495 S *	12/2008	Lindblad	D21/690
D627,014 S *	11/2010	Gustin	D21/687
D641,434 S *	7/2011	Khubani	D21/676
D643,076 S *	8/2011	Khoury	D21/662
D647,151 S *	10/2011	Van Straaten	D21/676
D740,380 S *	10/2015	Sorensen, II	D21/687

D741,421 S *	10/2015	Ho	D21/687
D776,768 S *	1/2017	Ho	D21/687
D779,588 S *	2/2017	Chuang	D21/687
9,669,278 B1 *	6/2017	Brown	A63B 69/004
D806,809 S *	1/2018	Orellana	D21/687
D820,362 S *	6/2018	Citterio	D21/687
10,391,353 B2 *	8/2019	McBride	A63B 23/0205
2003/0130100 A1 *	7/2003	Perez	A63B 21/068
			482/140
2017/0014681 A1 *	1/2017	Doherty	A63B 23/1236

* cited by examiner

Primary Examiner — Shannon W Morgan

Assistant Examiner — Keith Frank

(74) *Attorney, Agent, or Firm* — QuickPatents, Inc.;
Kevin Prince

(57) **CLAIM**

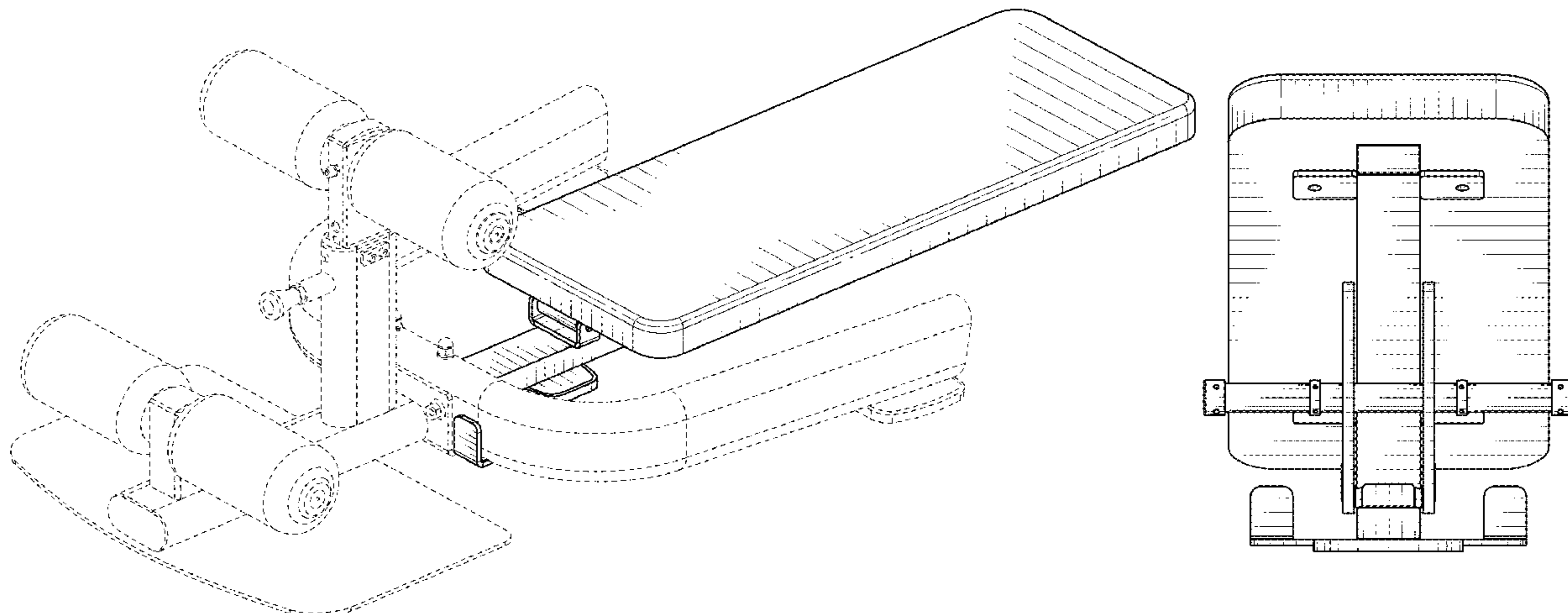
The ornamental design for an exercise bench, as shown and described.

DESCRIPTION

FIG. 1 is a front perspective view of an exercise bench, showing my new design in a lowered position;
 FIG. 2 is a rear perspective view thereof, illustrated in a raised position;
 FIG. 3 is a front elevational view of FIG. 2;
 FIG. 4 is a rear elevational view of FIG. 2;
 FIG. 5 is a right-side elevational view of FIG. 2;
 FIG. 6 is a left-side elevational view of FIG. 2;
 FIG. 7 is a top plan view of FIG. 2; and,
 FIG. 8 is a bottom plan view of FIG. 2.

The broken lines in the drawings showing the exercise bench illustrate the portions of the exercise bench that form no part of the claimed design.

1 Claim, 7 Drawing Sheets



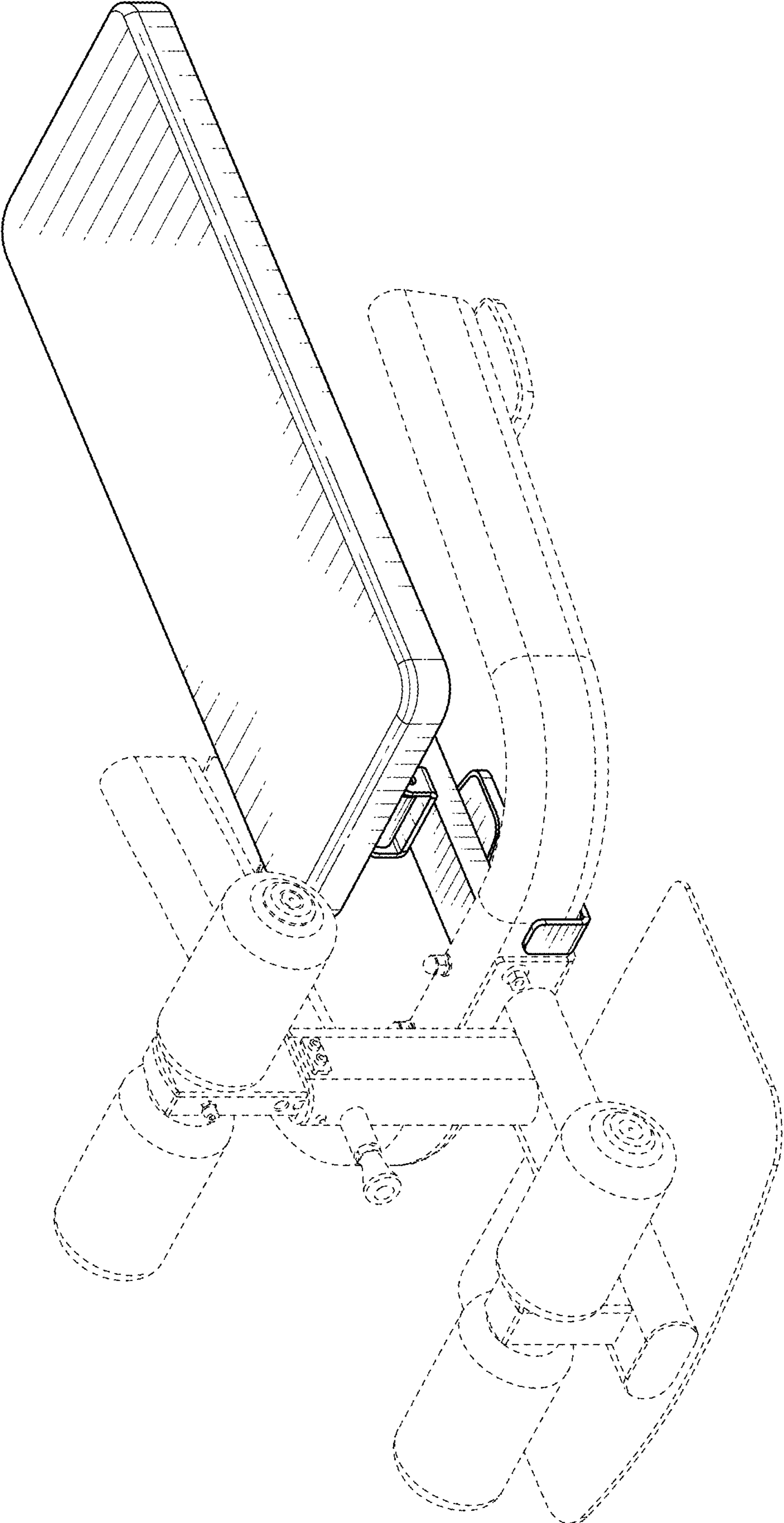


FIG. 1

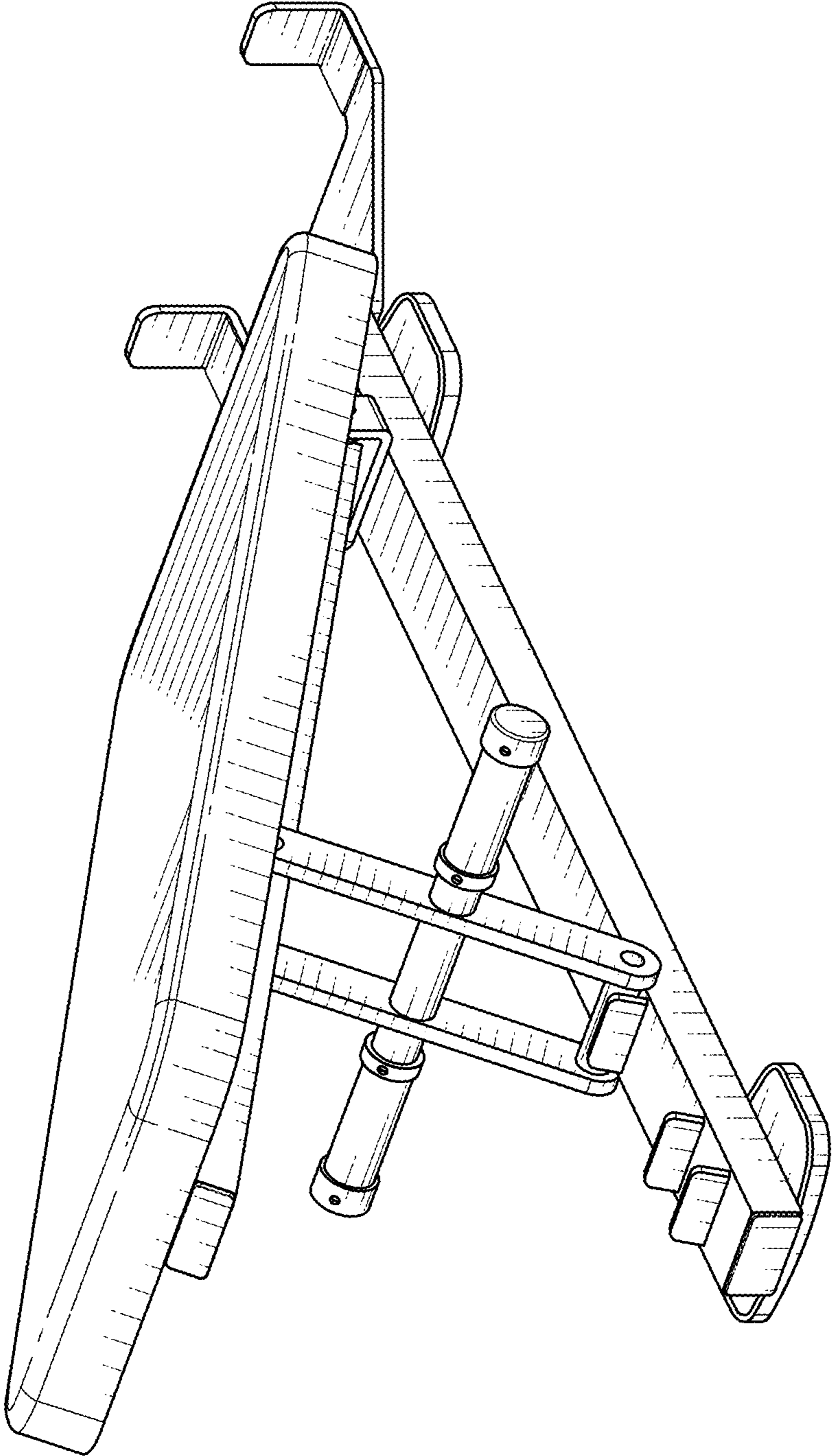


FIG. 2

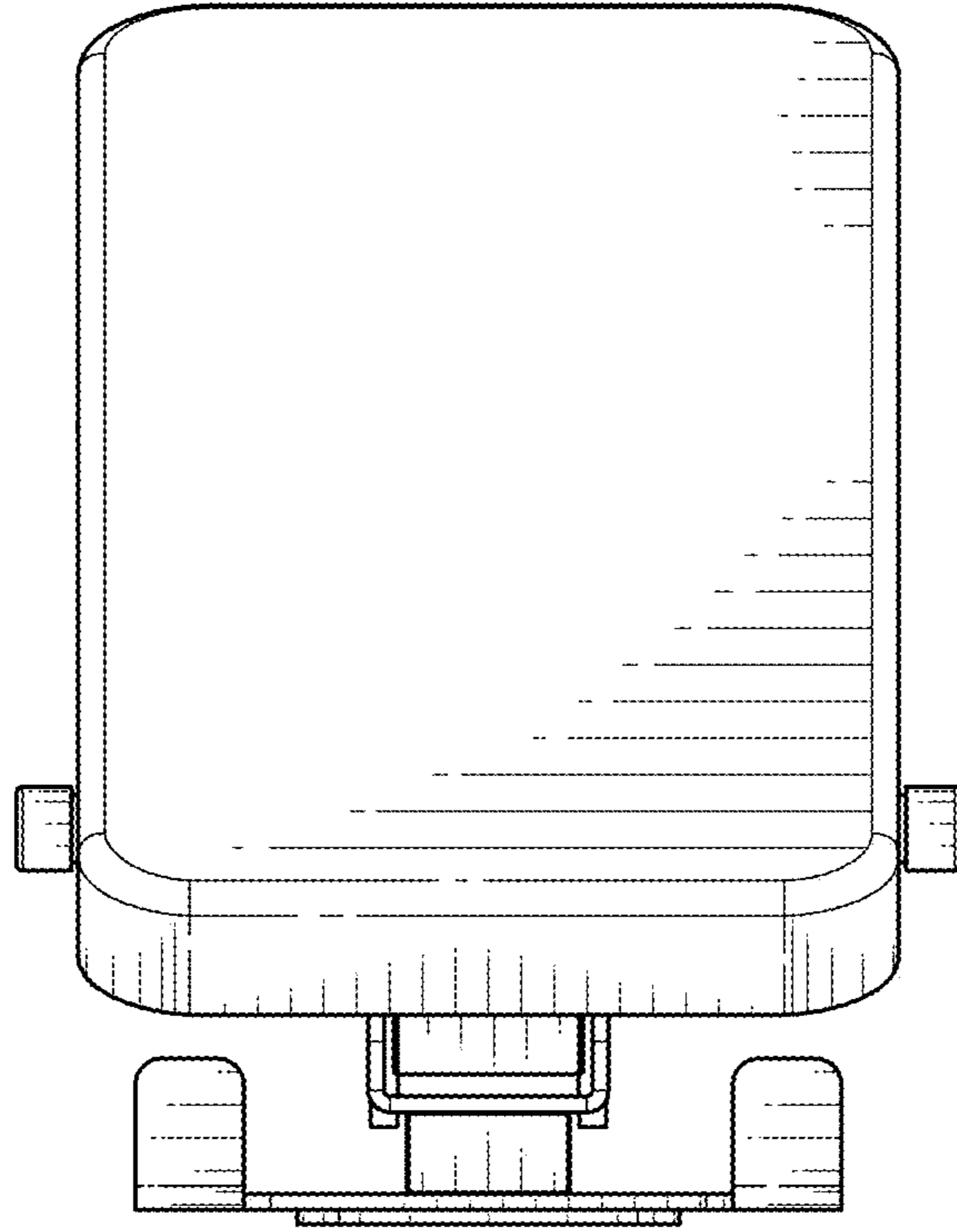


FIG. 3

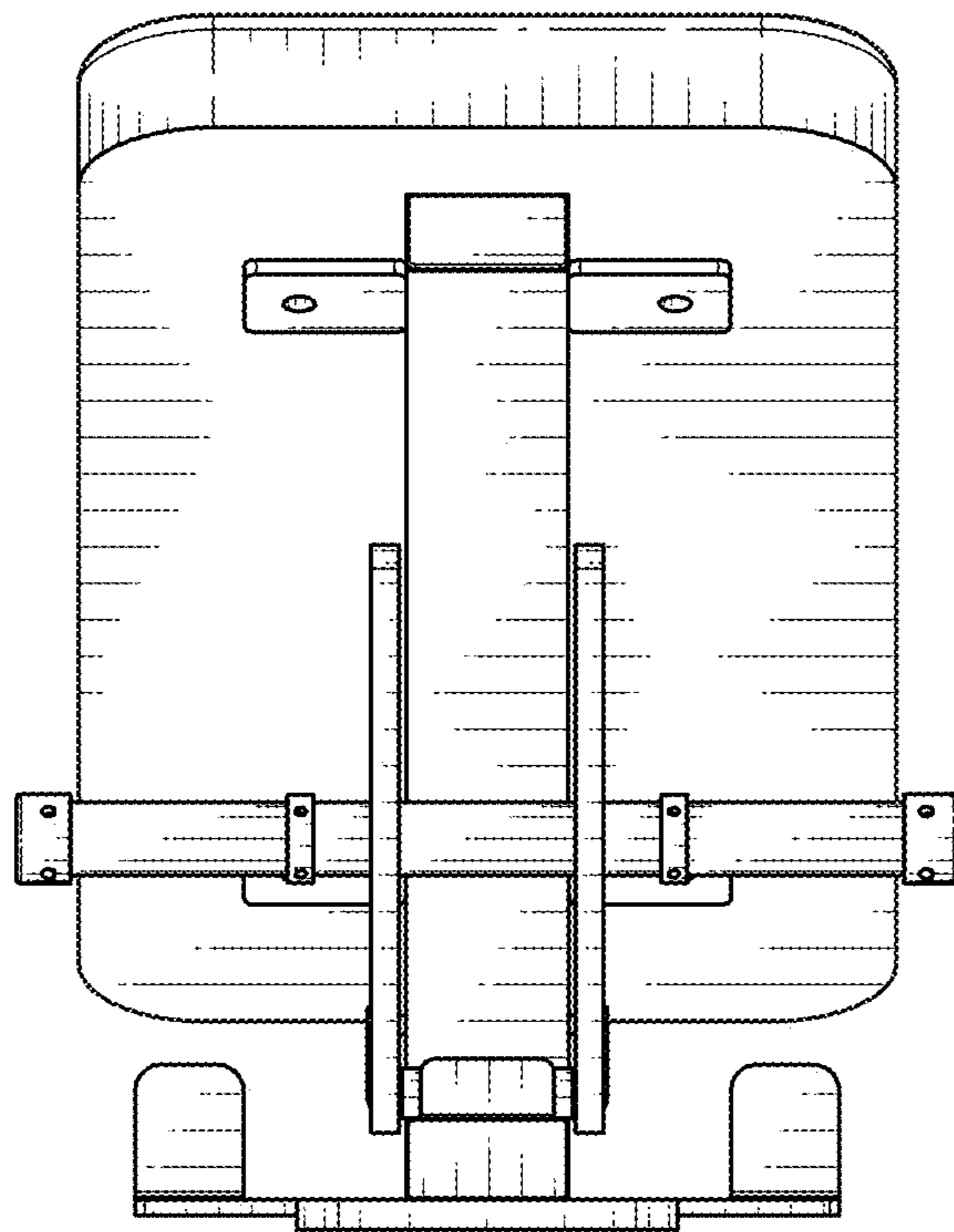


FIG. 4

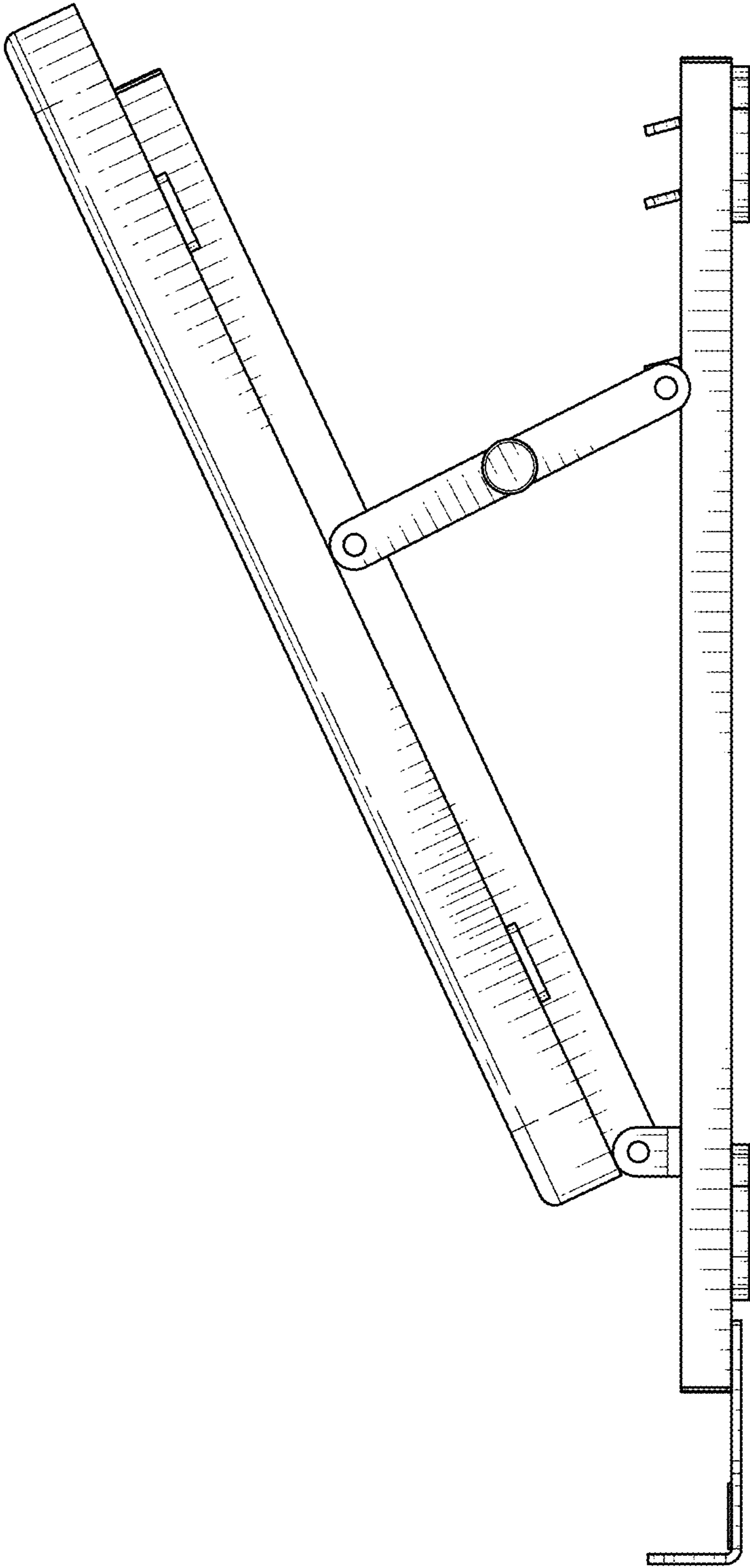


FIG. 5

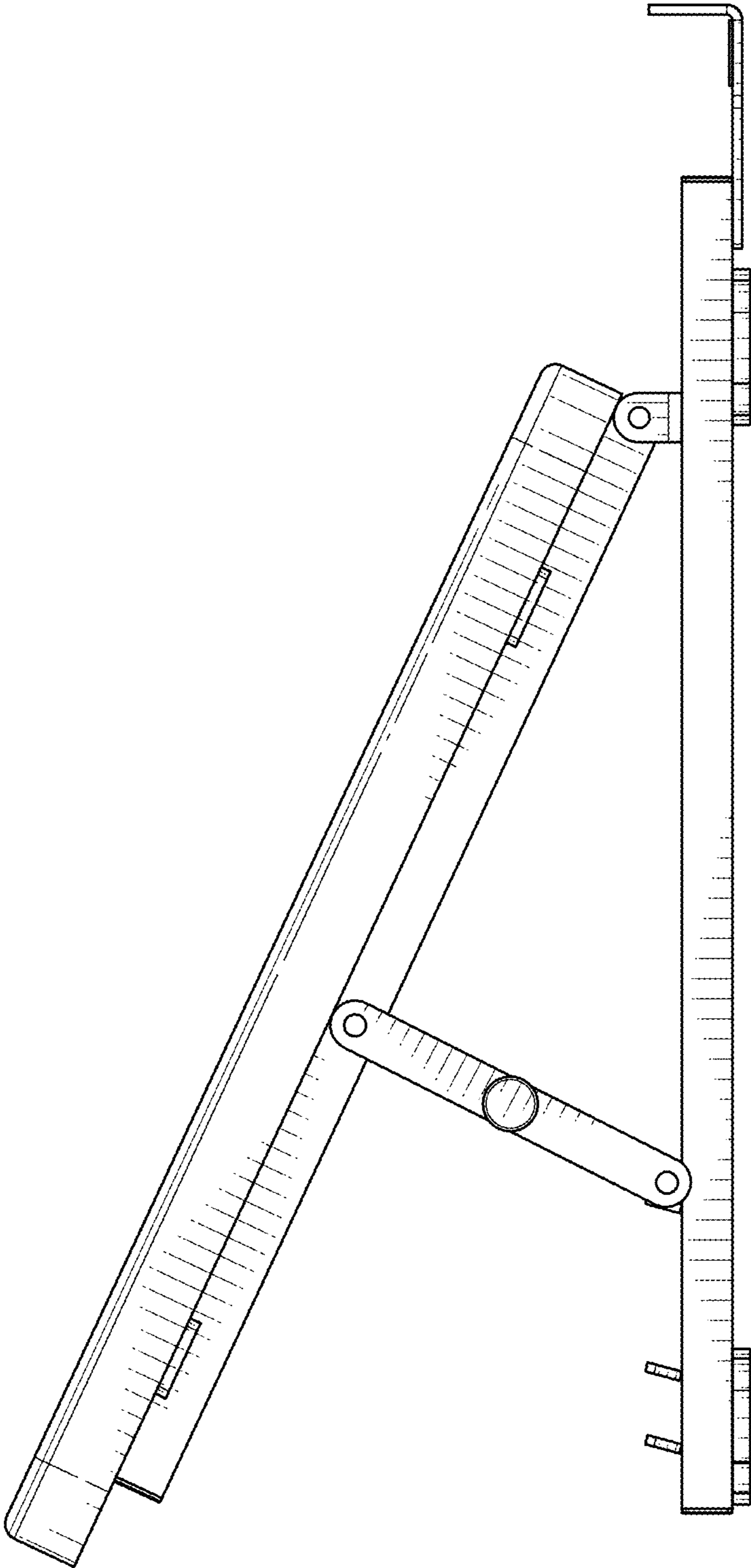


FIG. 6

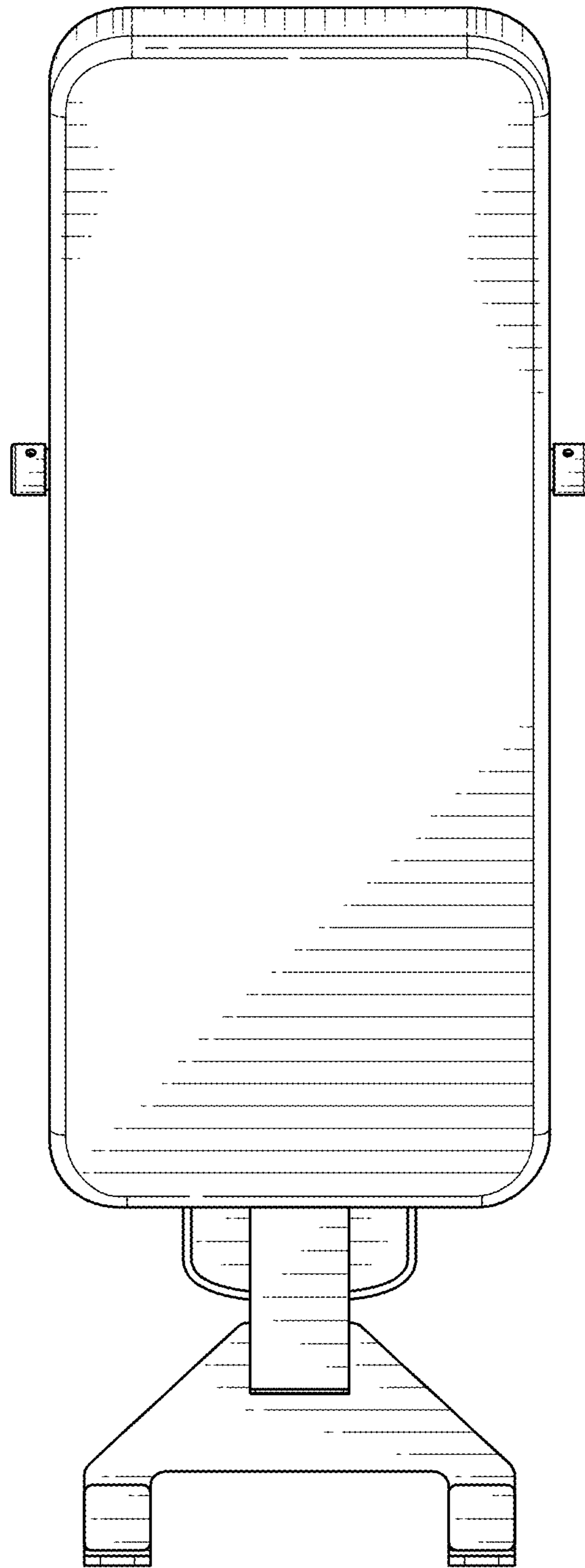


FIG. 7

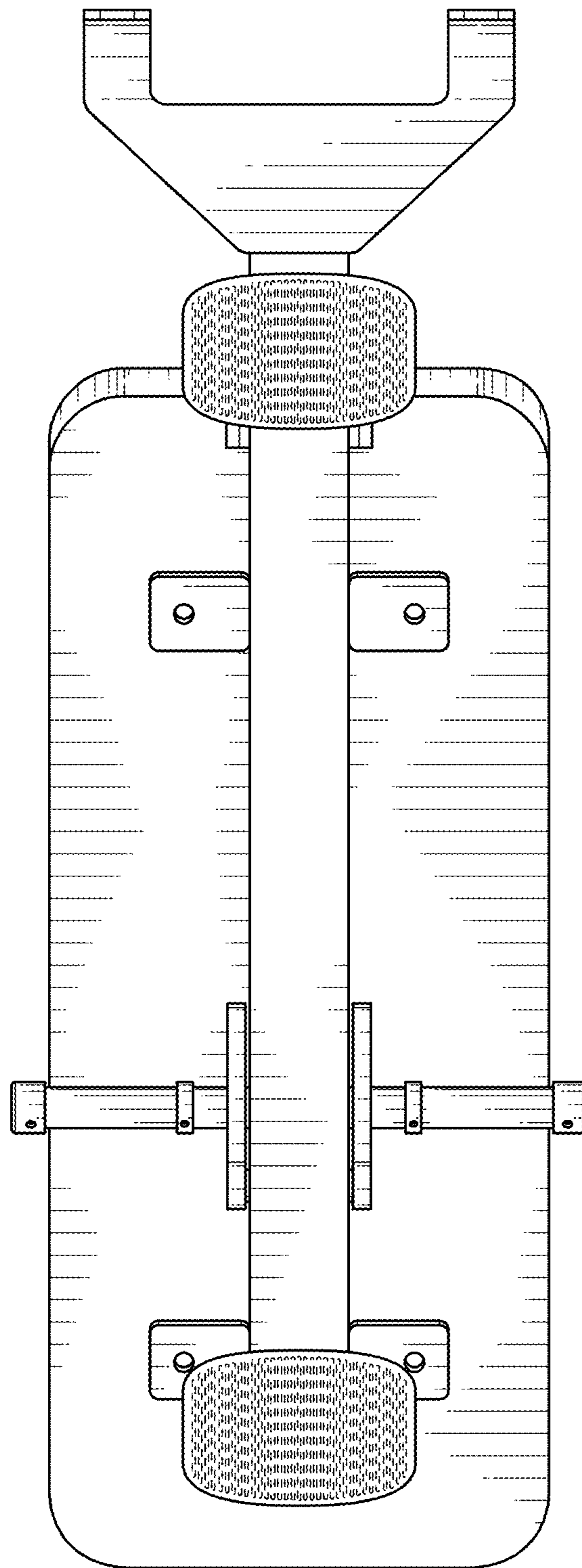


FIG. 8