



US00D886918S

(12) **United States Design Patent** (10) **Patent No.:** **US D886,918 S**  
**Flaggs** (45) **Date of Patent:** **\*\* Jun. 9, 2020**

(54) **CALF EXERCISE DEVICE**  
(71) Applicant: **Daryl Flaggs**, Antioch, CA (US)  
(72) Inventor: **Daryl Flaggs**, Antioch, CA (US)  
(\*\*) Term: **15 Years**  
(21) Appl. No.: **29/661,554**  
(22) Filed: **Aug. 29, 2018**  
(51) **LOC (12) Cl.** ..... **21-02**  
(52) **U.S. Cl.**  
USPC ..... **D21/685**  
(58) **Field of Classification Search**  
USPC .. 482/51, 52, 53, 92, 93, 97, 117, 130, 131;  
D21/673, 675, 679, 680, 685, 686, 688,  
D21/694; D24/194, 212  
CPC ..... A61H 2201/1284; A61H 1/0266; A61H  
2203/0406; A61H 2205/12; A63B 22/16;  
A63B 23/10; Y10S 482/907  
See application file for complete search history.

(56) **References Cited**  
U.S. PATENT DOCUMENTS  
D189,011 S \* 10/1960 Berne ..... D24/188  
4,159,111 A \* 6/1979 Lowth ..... A63B 22/0056  
482/118  
D261,909 S \* 11/1981 Heatwole ..... D21/688  
D269,636 S \* 7/1983 MacGregor ..... D24/211  
D280,934 S \* 10/1985 MacGregor ..... D24/211  
D281,343 S \* 11/1985 Krive ..... 482/147  
D298,266 S \* 10/1988 Reyneke ..... D21/685  
4,998,720 A \* 3/1991 Kim ..... A63B 22/14  
482/130  
D317,959 S \* 7/1991 Francis ..... D21/673  
D348,492 S \* 7/1994 Konarski, II ..... D21/673  
D348,708 S \* 7/1994 Chen ..... D21/670  
D349,542 S \* 8/1994 Russell ..... D21/670  
D358,625 S \* 5/1995 Enriquez, Jr. .... D21/686  
D390,020 S \* 2/1998 Huang ..... D24/212

D461,211 S \* 8/2002 Kuo ..... D21/668  
D474,818 S \* 5/2003 Yu ..... D21/662  
6,589,141 B1 7/2003 Flaggs  
D496,700 S \* 9/2004 Chen ..... D21/668  
D498,506 S \* 11/2004 Yu ..... D21/668  
D519,583 S \* 4/2006 Chen ..... D21/668  
D596,246 S \* 7/2009 Nofsinger ..... D21/685  
D771,204 S \* 11/2016 Ho ..... D21/668  
D773,567 S \* 12/2016 Chuang ..... D21/668  
D774,149 S \* 12/2016 Estrada, Jr. .... D21/685  
D776,211 S \* 1/2017 Gebhard ..... D21/685  
D781,383 S \* 3/2017 Ho ..... D21/670  
D781,384 S \* 3/2017 Ho ..... D21/670  
D795,364 S \* 8/2017 Chang ..... D21/670  
D796,591 S \* 9/2017 Ho ..... D21/668  
2002/0155926 A1\* 10/2002 Lat ..... A63B 21/015  
482/52

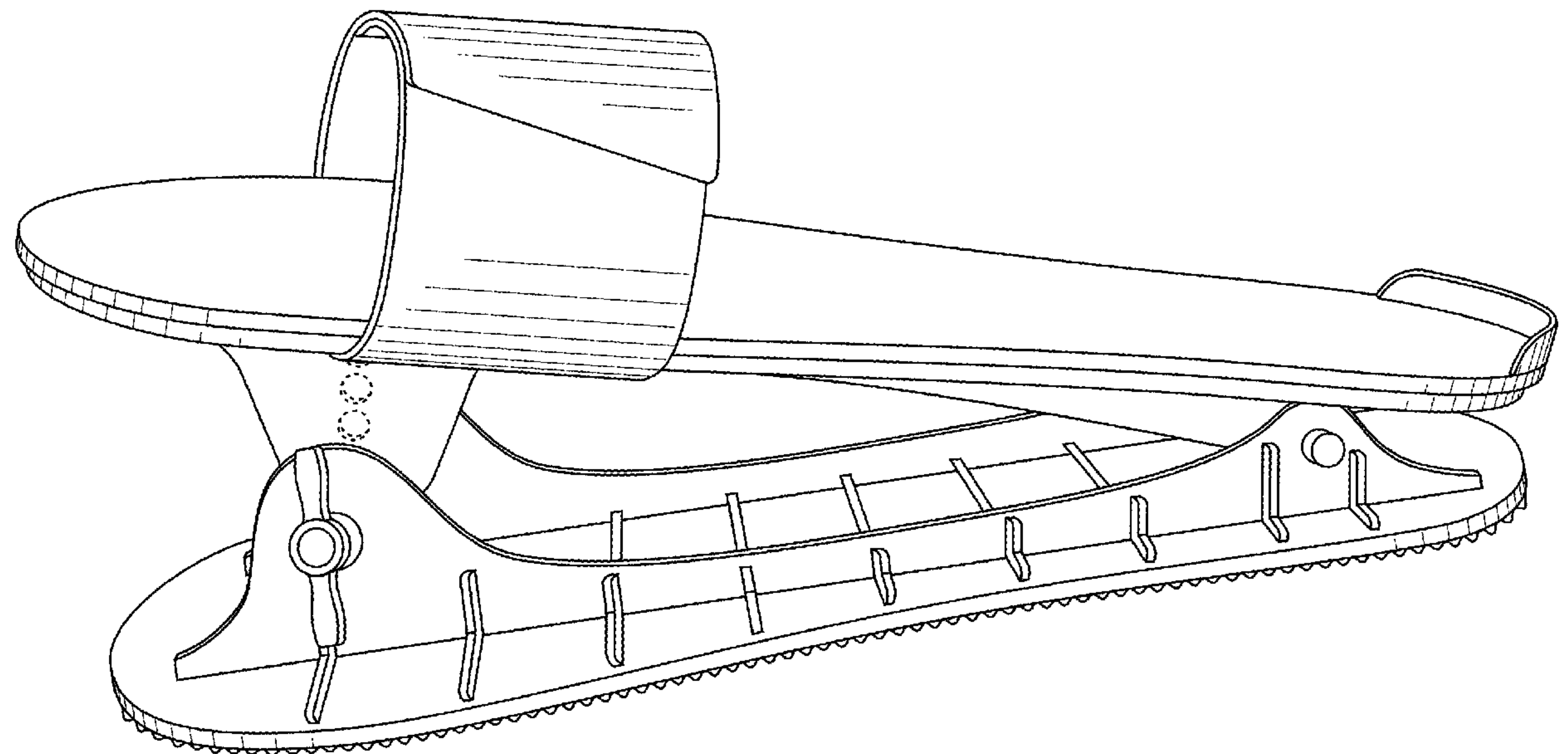
(Continued)

*Primary Examiner* — Cynthia Ramirez  
*Assistant Examiner* — Michael A Maharajh  
(74) *Attorney, Agent, or Firm* — The Roy Gross Law Firm, LLC; Roy Gross

(57) **CLAIM**  
The ornamental design for calf exercise device, as shown and described.

**DESCRIPTION**  
FIG. 1 is a front perspective view closed of a calf exercise device accordance with the new design;  
FIG. 2 is a left-side view thereof;  
FIG. 3 is a right-side view thereof;  
FIG. 4 is a top view thereof;  
FIG. 5 is a bottom view thereof;  
FIG. 6 is a rear view thereof; and,  
FIG. 7 is a front view thereof.  
The broken lines shown in the figures are for the purpose of illustrating portions of the calf exercise device which form no part of the claimed design.

**1 Claim, 7 Drawing Sheets**



(56)

**References Cited**

U.S. PATENT DOCUMENTS

2003/0017916	A1 *	1/2003	Juan	.....	A63B 22/0056	482/51
2003/0199365	A1 *	10/2003	Hong	.....	A63B 21/0083	482/53
2003/0216224	A1 *	11/2003	Chuang	.....	A63B 22/0056	482/53
2004/0110604	A1 *	6/2004	Chen Wu	.....	A63B 22/16	482/79
2004/0259704	A1 *	12/2004	Liang	.....	A63B 22/16	482/146
2005/0064996	A1 *	3/2005	Chen	.....	A63B 22/0056	482/53
2005/0124465	A1 *	6/2005	Chen	.....	A63B 22/0056	482/52
2005/0137065	A1 *	6/2005	Zoller	.....	A63B 23/08	482/117
2005/0227818	A1 *	10/2005	Liao	.....	A63B 21/015	482/53
2006/0019801	A1 *	1/2006	Zeng	.....	A63B 22/0064	482/52
2007/0202996	A1 *	8/2007	Lu	.....	A63B 22/0056	482/52
2007/0254782	A1 *	11/2007	Chen	.....	A63B 22/0056	482/53
2007/0270284	A1 *	11/2007	Lin	.....	A63B 22/0069	482/52
2008/0194387	A1 *	8/2008	Chuang	.....	A63B 21/0552	482/52
2008/0269027	A1 *	10/2008	Chen	.....	A61H 1/0266	482/80
2009/0291808	A1 *	11/2009	Chen	.....	A63B 23/0429	482/52
2013/0045838	A1 *	2/2013	Ho	.....	A63B 22/0058	482/52
2017/0252603	A1 *	9/2017	Wu	.....	A63B 22/0664	
2019/0070459	A1 *	3/2019	Michaud	.....	A63B 23/08	
2019/0125611	A1 *	5/2019	Baek	.....	A61H 1/0266	
2019/0133875	A1 *	5/2019	Choi	.....	A61H 1/00	

\* cited by examiner

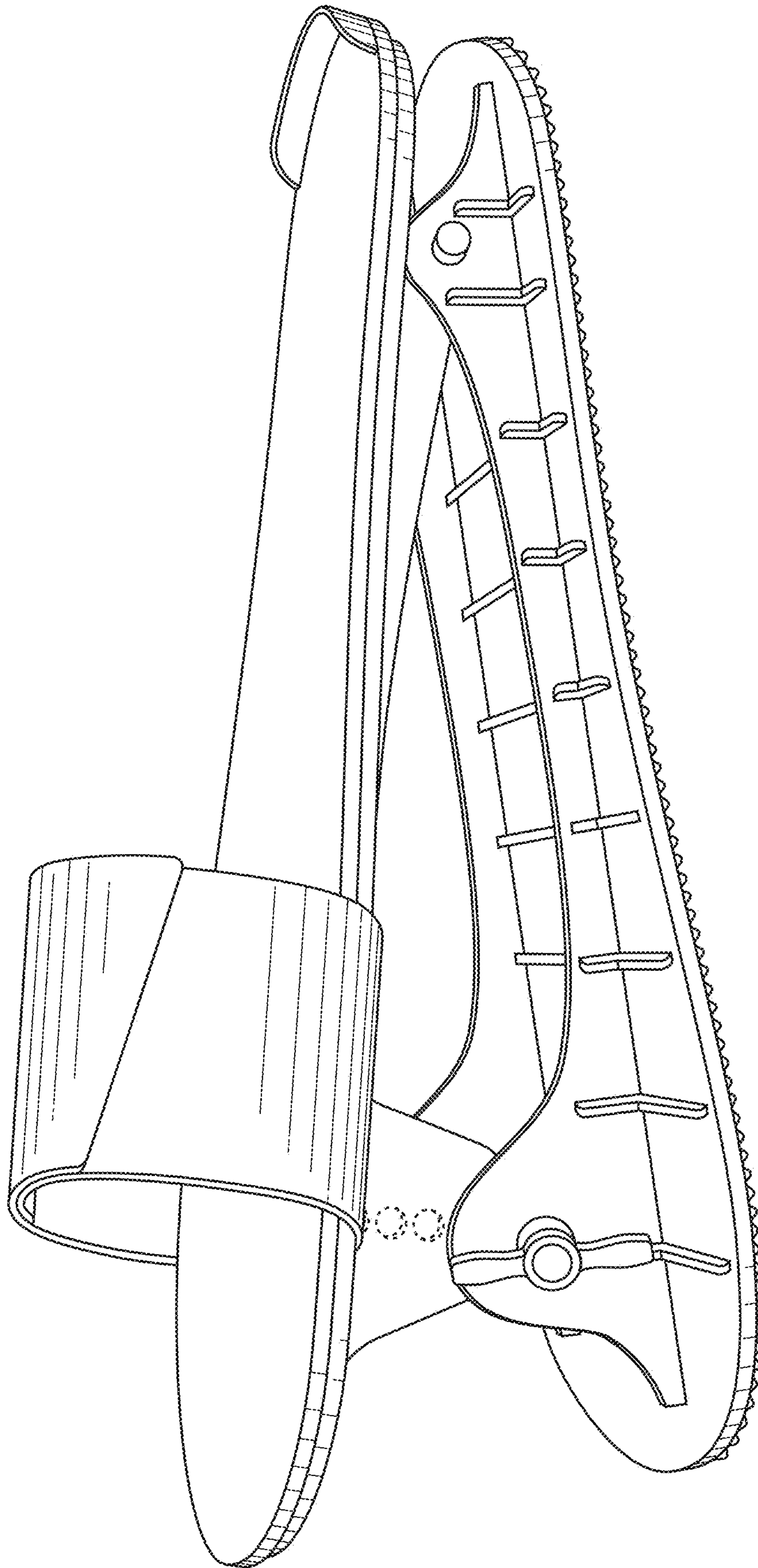


FIG. 1



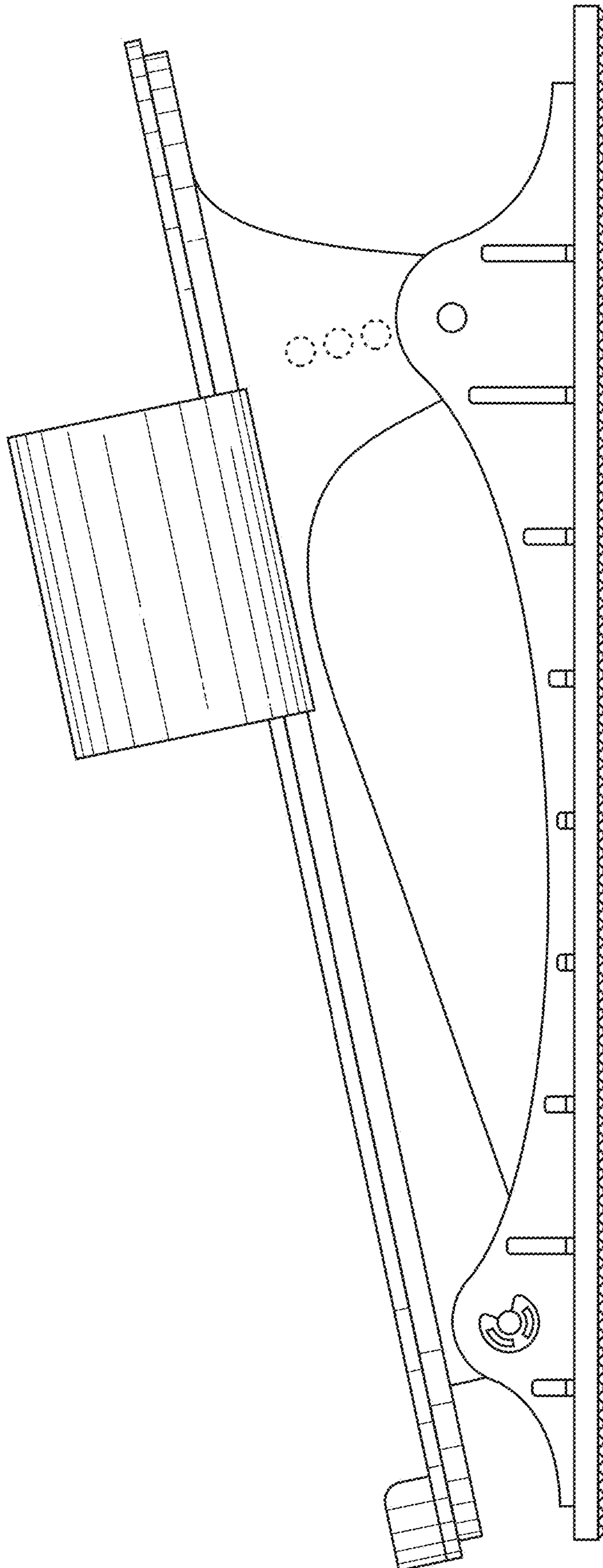


FIG. 2

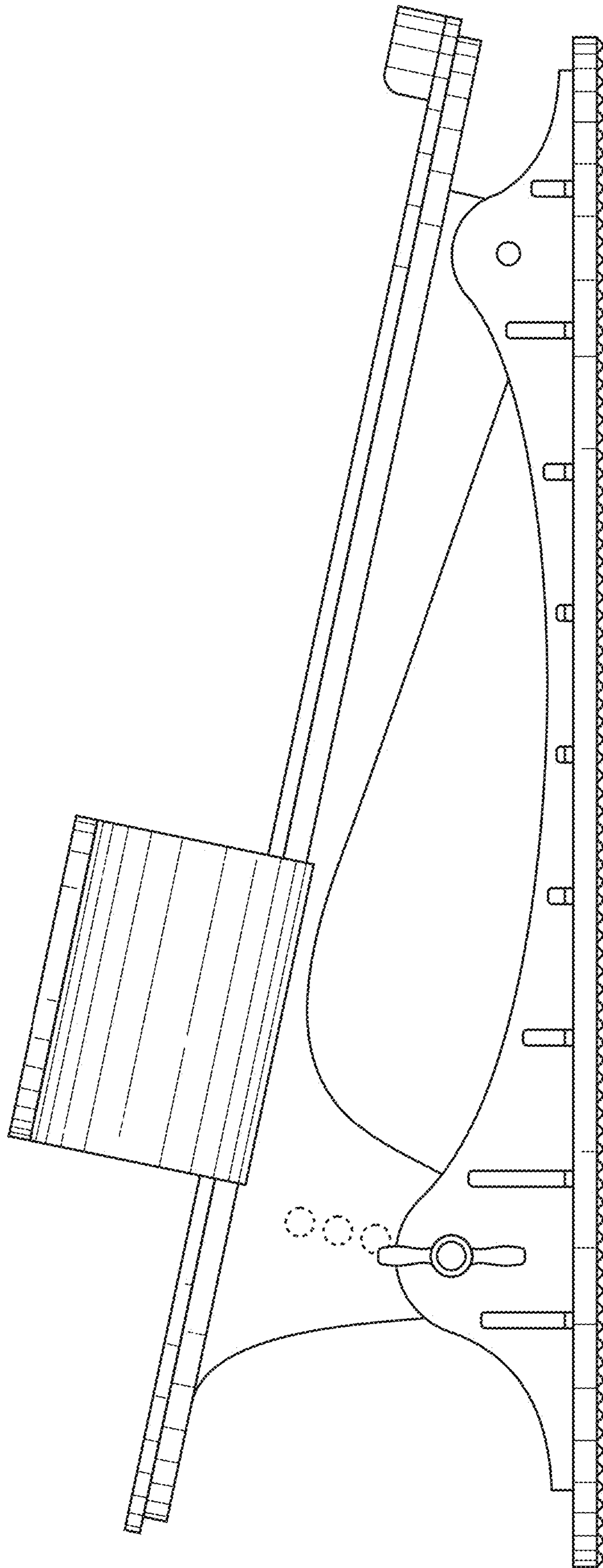


FIG. 3

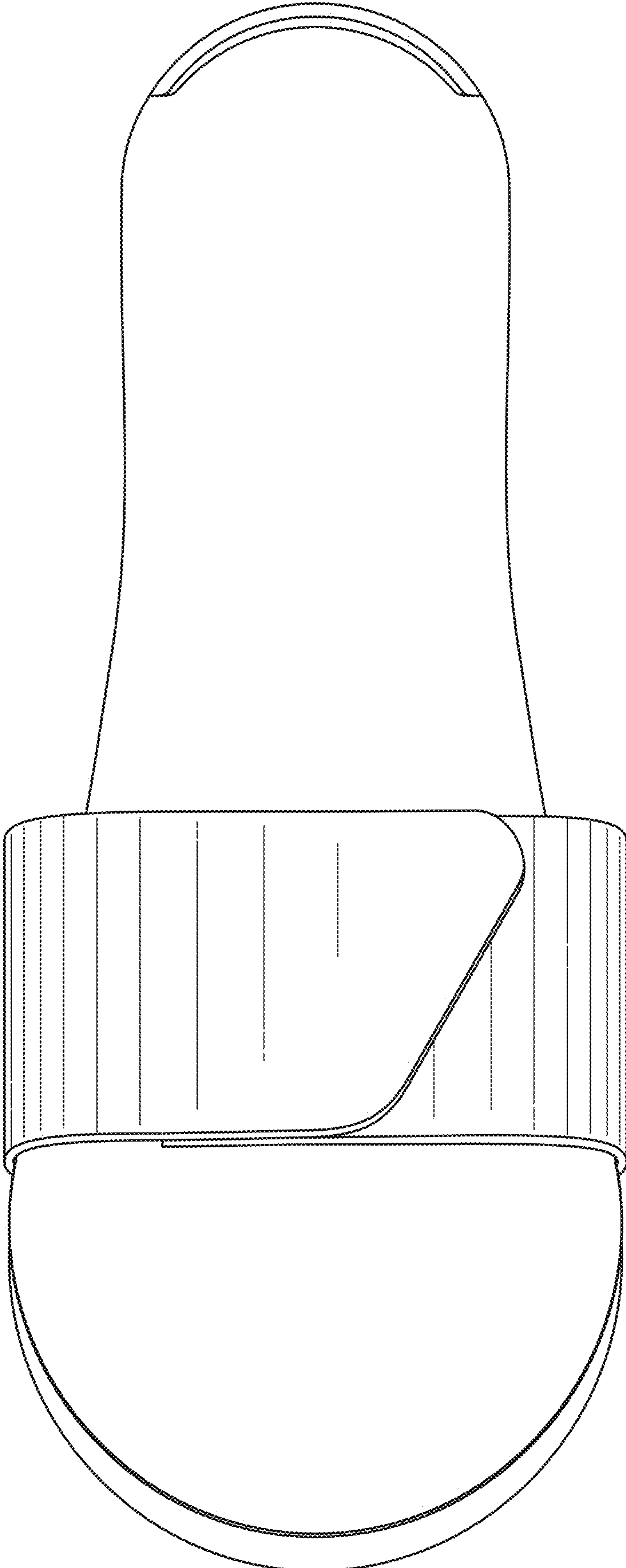


FIG. 4

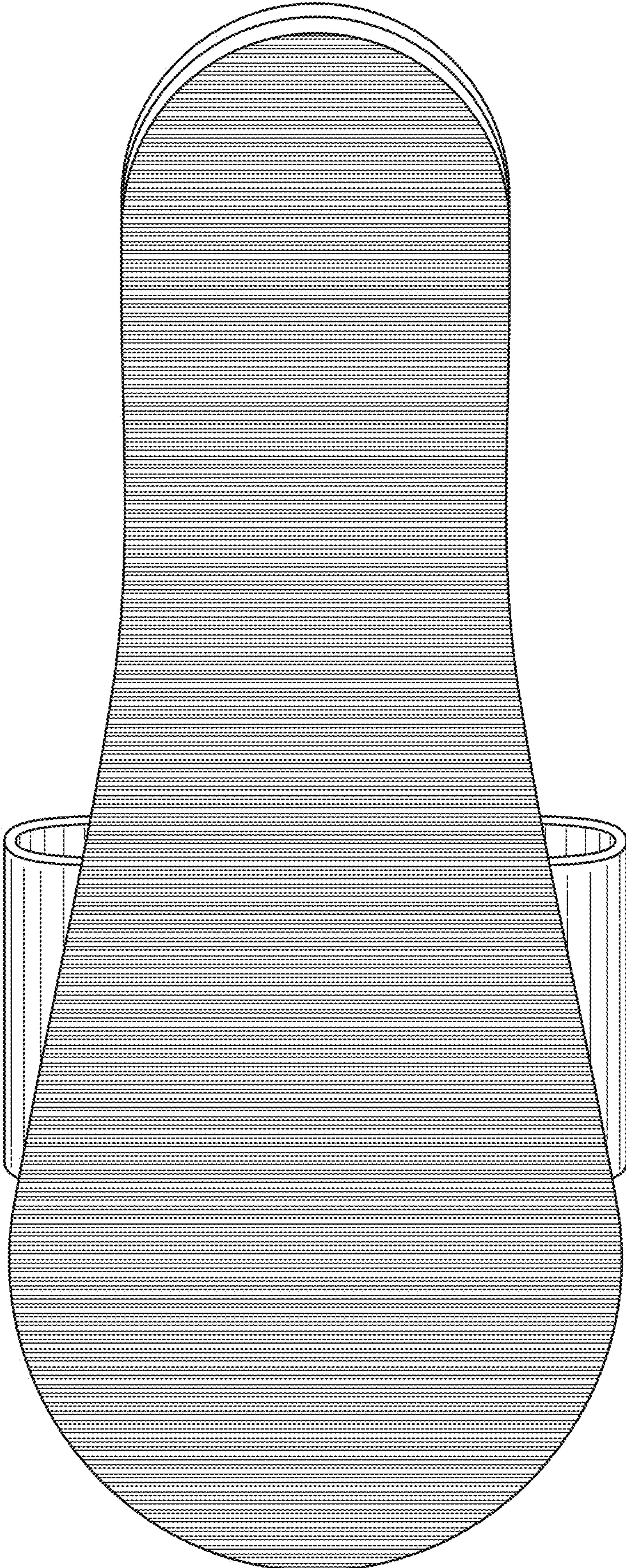


FIG. 5



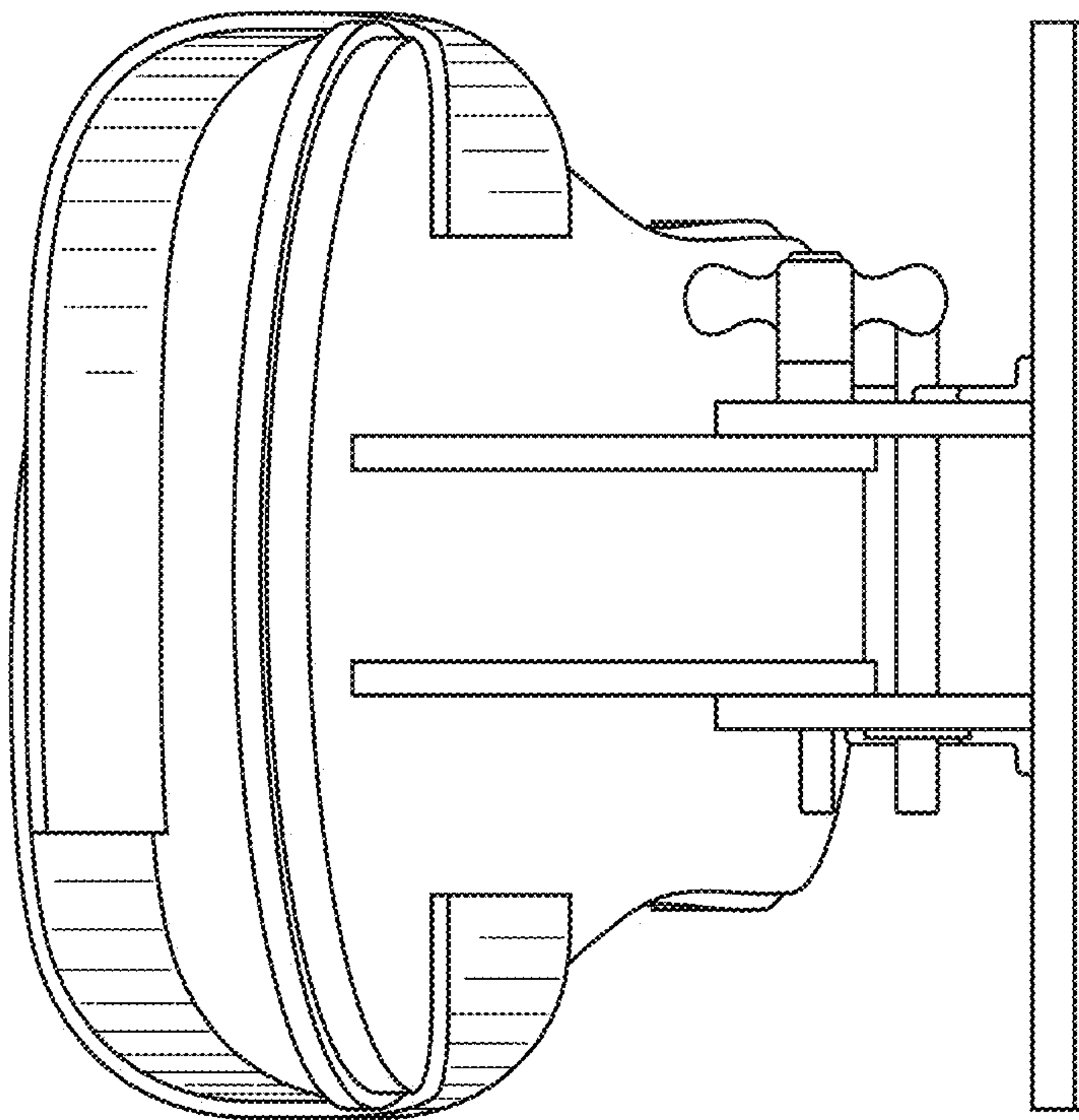


FIG. 6



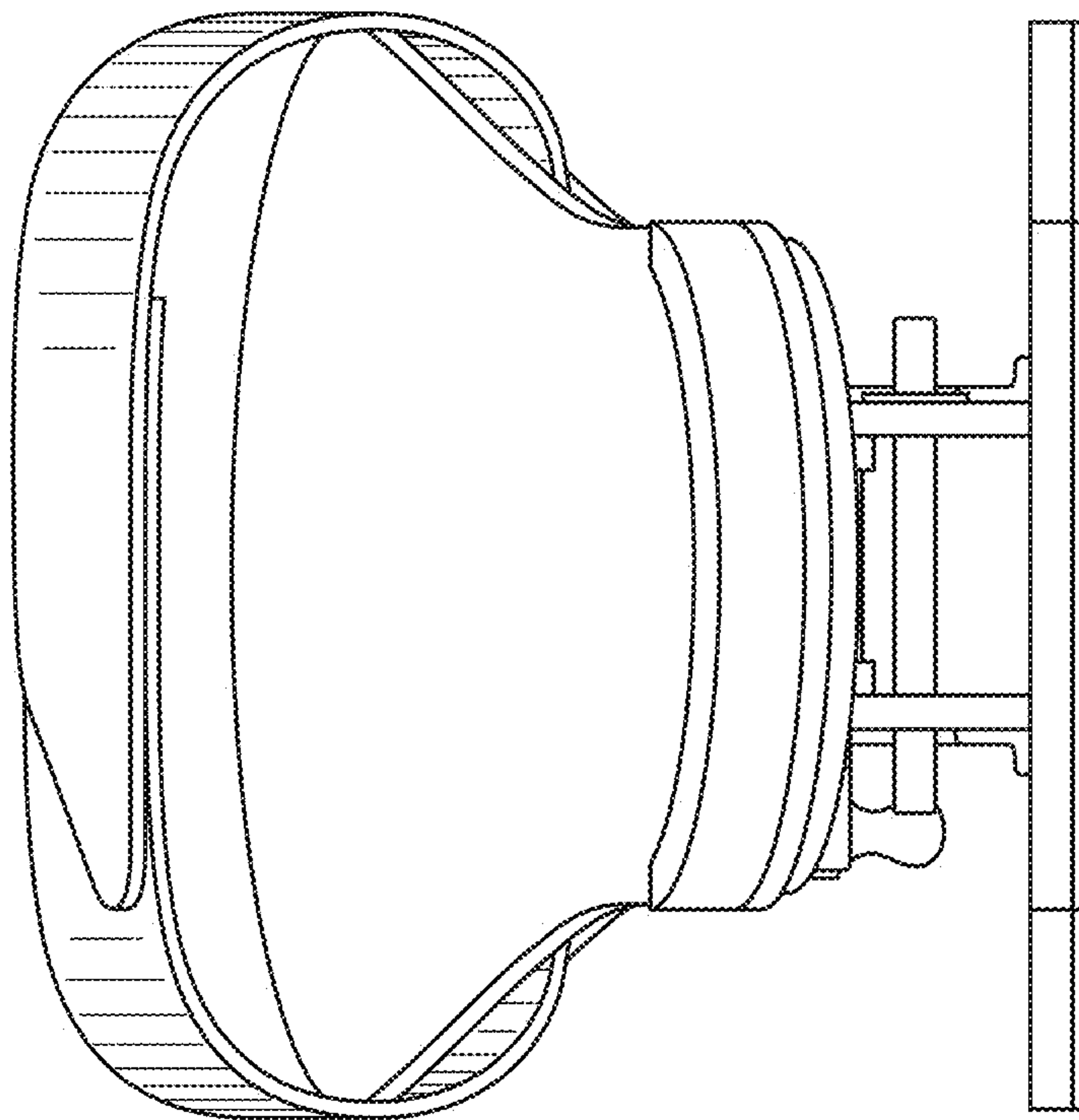


FIG. 7