



US00D886917S

(12) **United States Design Patent**
Ikoma et al.

(10) **Patent No.:** **US D886,917 S**
(45) **Date of Patent:** **** Jun. 9, 2020**

(54) **ROBOT TOY**

(56) **References Cited**

(71) Applicant: **TOMY COMPANY, LTD.**, Tokyo (JP)

U.S. PATENT DOCUMENTS

(72) Inventors: **Akiko Ikoma**, Tokyo (JP); **Tabito Kurosaka**, Tokyo (JP); **Shu Katayama**, Tokyo (JP); **Mitsutoshi Tokuyama**, Tokyo (JP); **Shigeru Kanauchi**, Tokyo (JP); **Masashi Katahira**, Tokyo (JP)

D286,901 S	*	11/1986	Ohno	D21/584
D478,362 S	*	8/2003	Nakase	D21/578
D481,081 S	*	10/2003	Okutsu	D21/578
D484,196 S	*	12/2003	Nakase	D21/578
D510,963 S	*	10/2005	Nakase	D21/578
D785,099 S	*	4/2017	Morales	D21/578
D785,724 S	*	5/2017	Morales	D21/578

(73) Assignee: **TOMY COMPANY, LTD.**, Tokyo (JP)

* cited by examiner

(**) Term: **15 Years**

Primary Examiner — Sandra L Morris

(21) Appl. No.: **29/680,404**

(74) *Attorney, Agent, or Firm* — Oliff PLC

(22) Filed: **Feb. 15, 2019**

(57) **CLAIM**

(30) **Foreign Application Priority Data**

The ornamental design for a robot toy, as shown and described.

Aug. 28, 2018 (JP) 2018-018697

(51) **LOC (12) Cl.** **21-01**

DESCRIPTION

(52) **U.S. Cl.**

USPC **D21/615; D21/578**

(58) **Field of Classification Search**

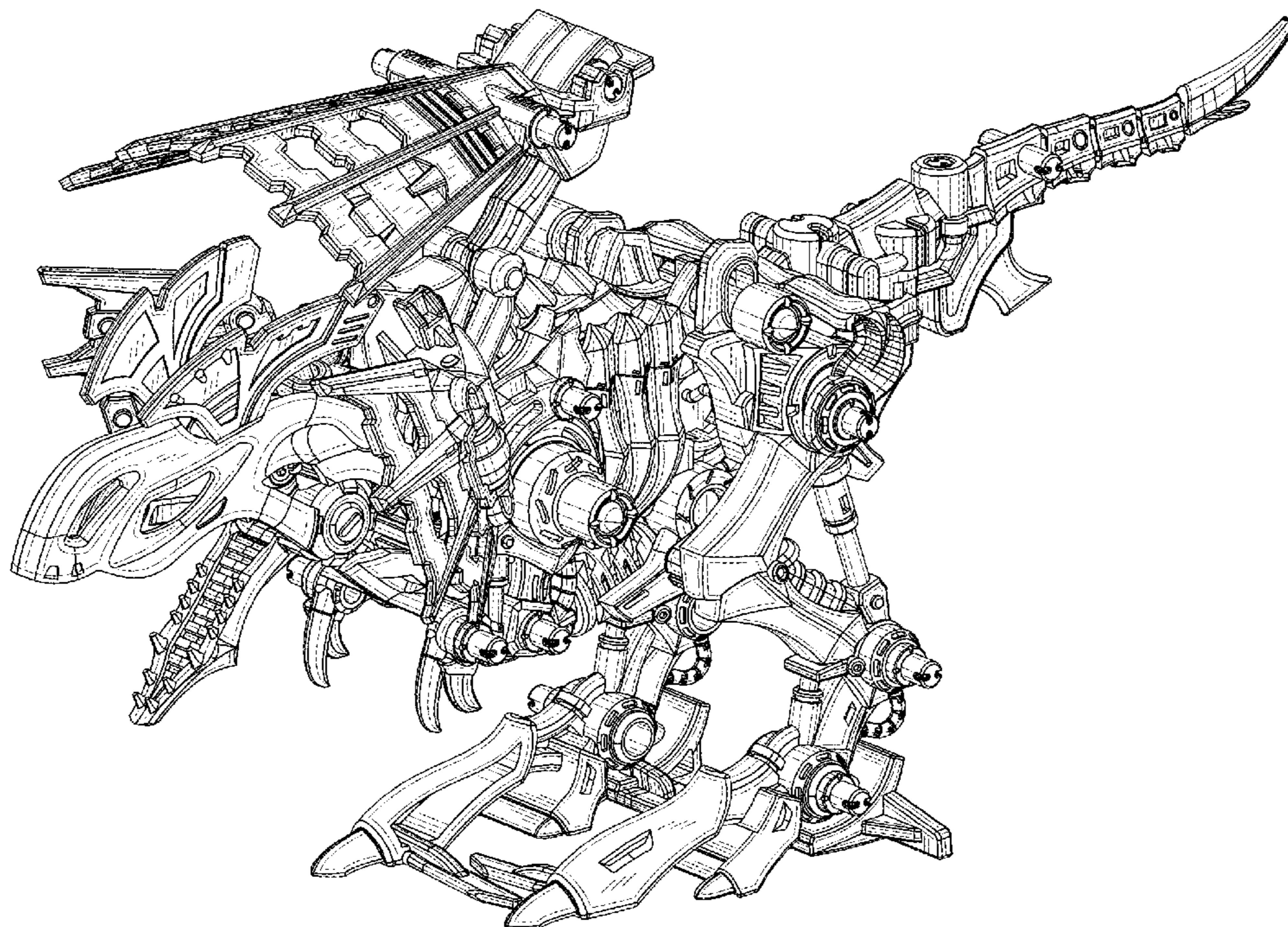
USPC D6/598; D11/158-159, 162; D21/576-596, 598, 604-605, 611-613, D21/615, 617-618, 621; 446/99, 268, 446/368-369, 376, 428, 487; 180/8.6; D30/160

CPC ... A63H 3/00; A63H 3/02; A63H 3/04; A63H 3/16; A63H 3/28; A63H 3/36; A63H 7/06; A63H 11/00; A63H 11/10; A63H 11/20; A63H 11/205; A63H 13/00; A63H 33/04; A63H 33/08; A63H 33/042; A63H 23/10; A63H 5/00

See application file for complete search history.

FIG. 1 is a right-side elevational view of the robot toy; FIG. 2 is a left-side elevational view thereof; FIG. 3 is a front elevational view thereof; FIG. 4 is a rear elevational view thereof; FIG. 5 is a top plan view thereof; FIG. 6 is a bottom plan view thereof; FIG. 7 is a front, right-side, top perspective view thereof; FIG. 8 is a rear, left-side, bottom perspective view thereof; FIG. 9 is a front, right-side, top perspective view of an alternative configuration thereof; and, FIG. 10 is a rear, left-side, bottom perspective view of the alternative configuration thereof.

1 Claim, 10 Drawing Sheets



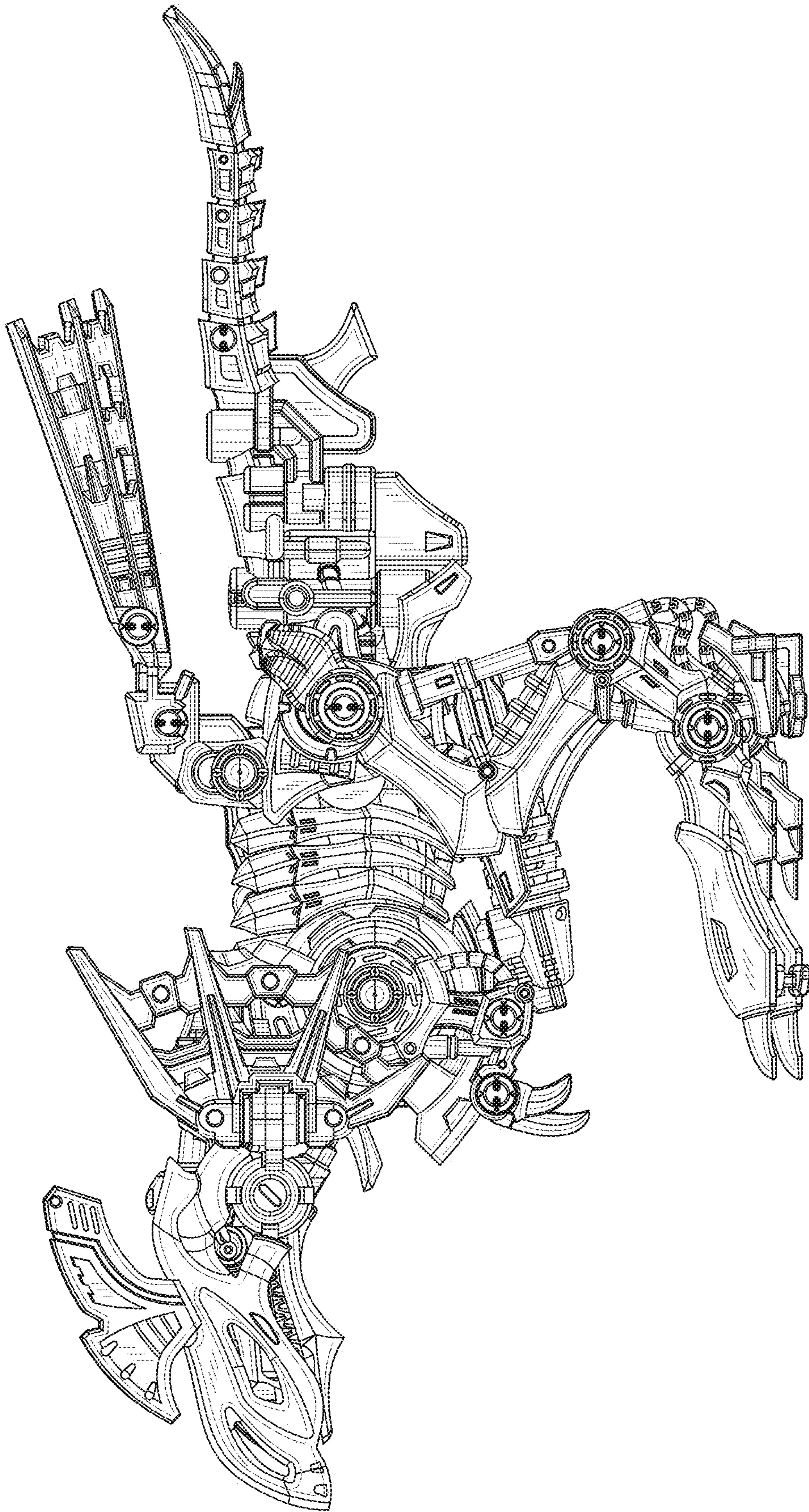


FIG. 1

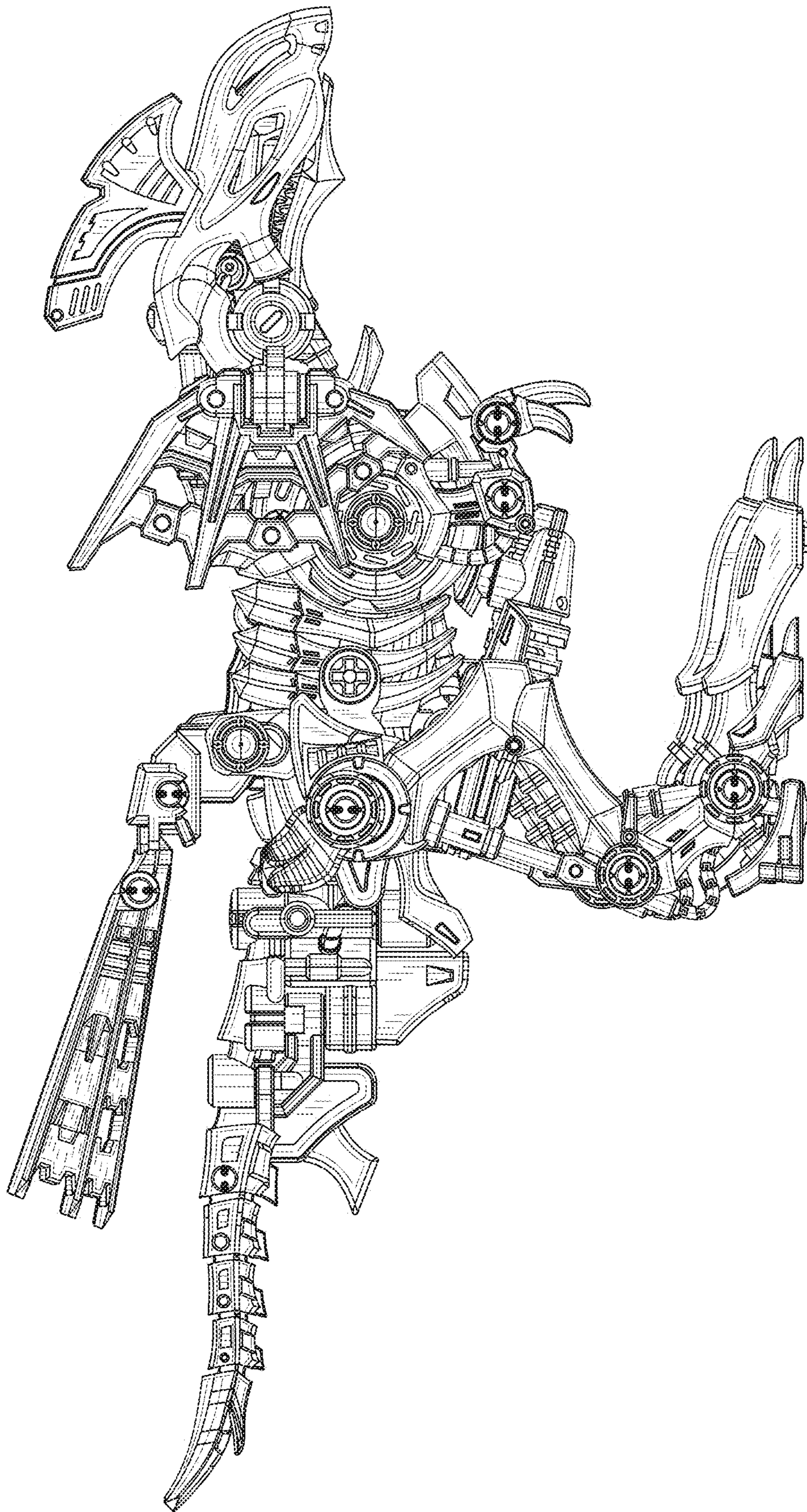


FIG. 2

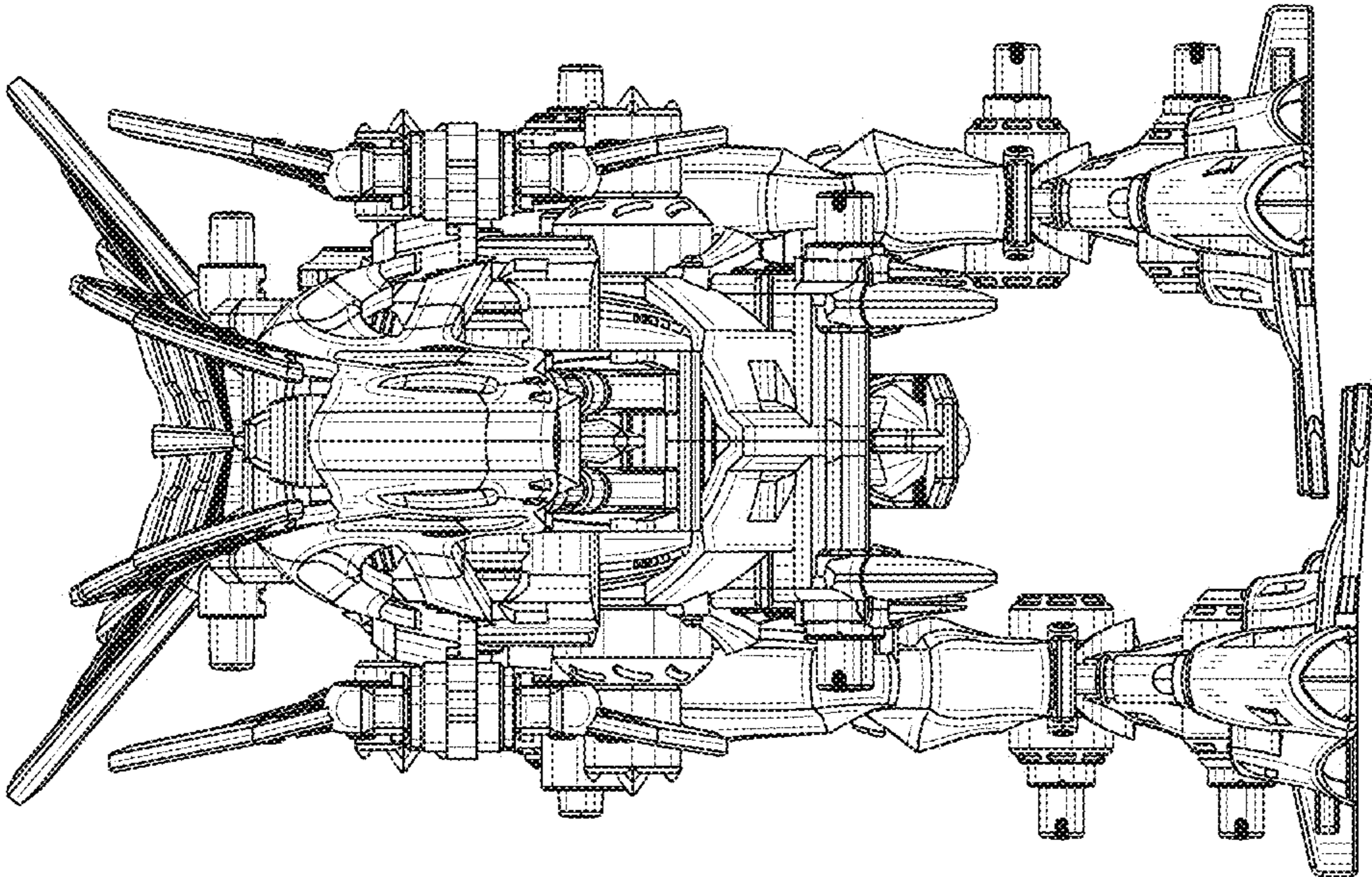


FIG. 3

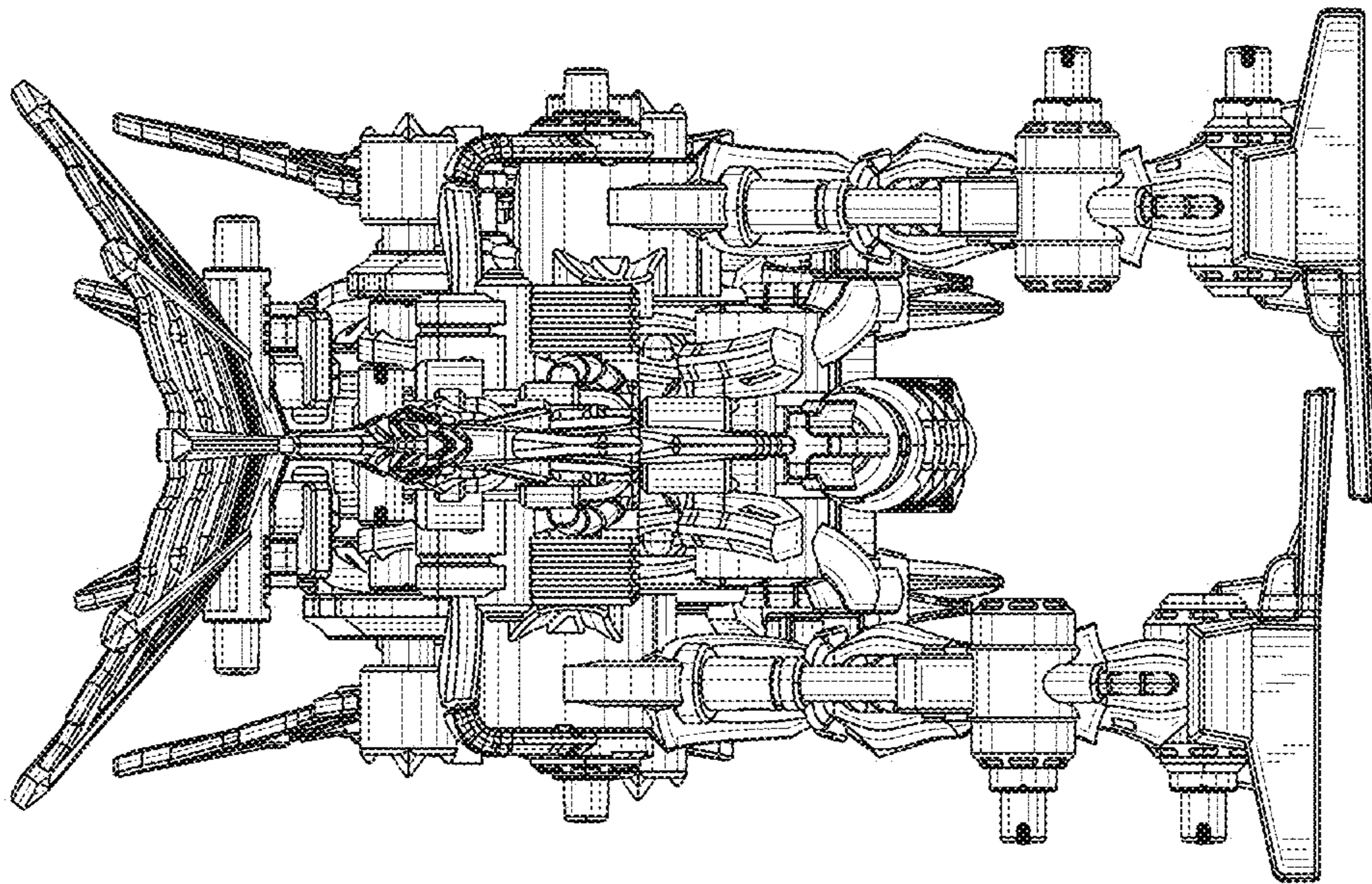


FIG. 4

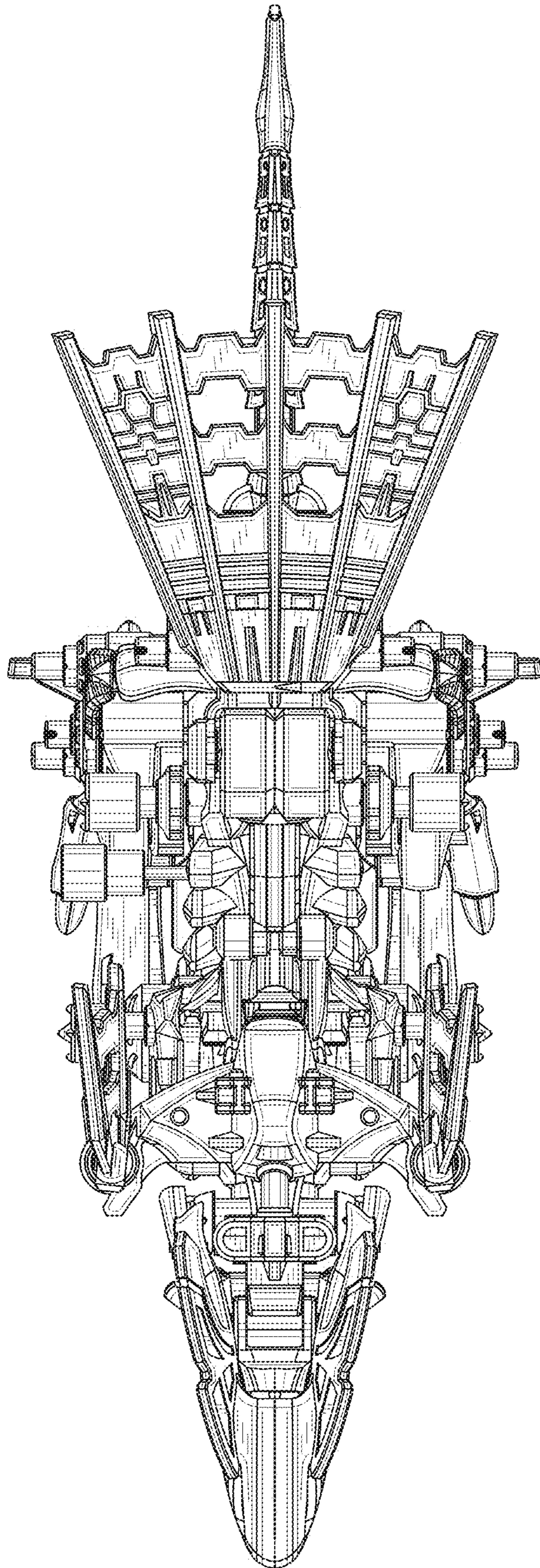


FIG. 5

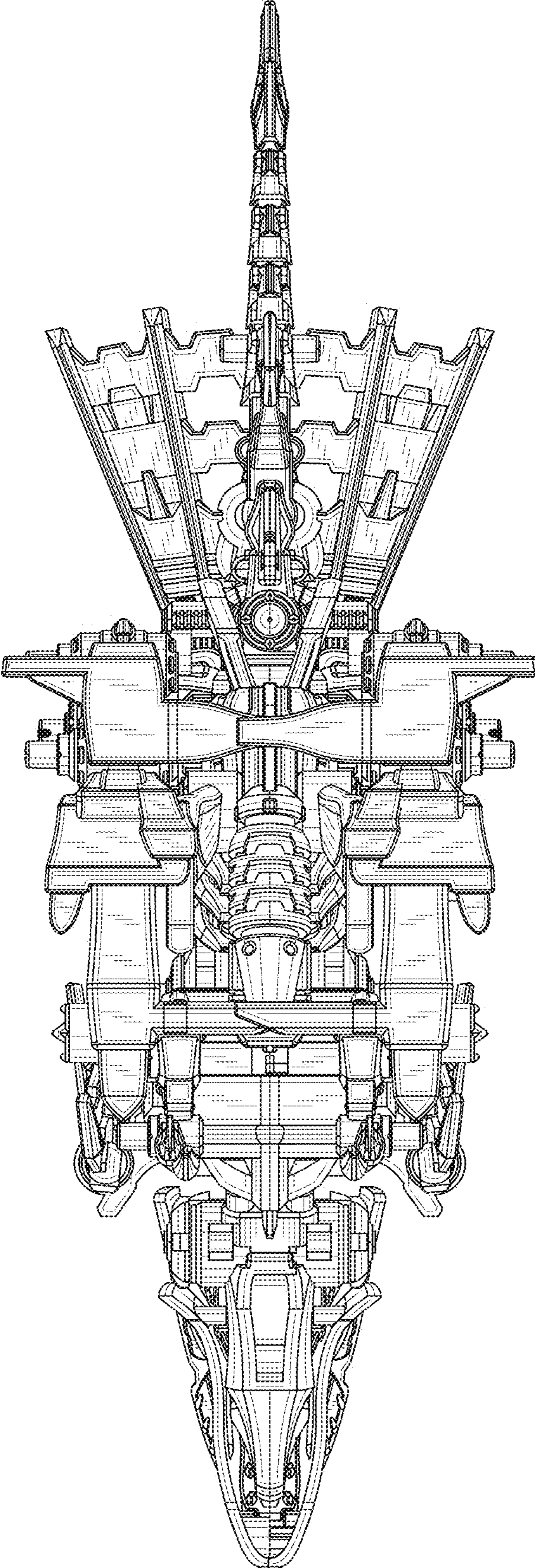


FIG. 6

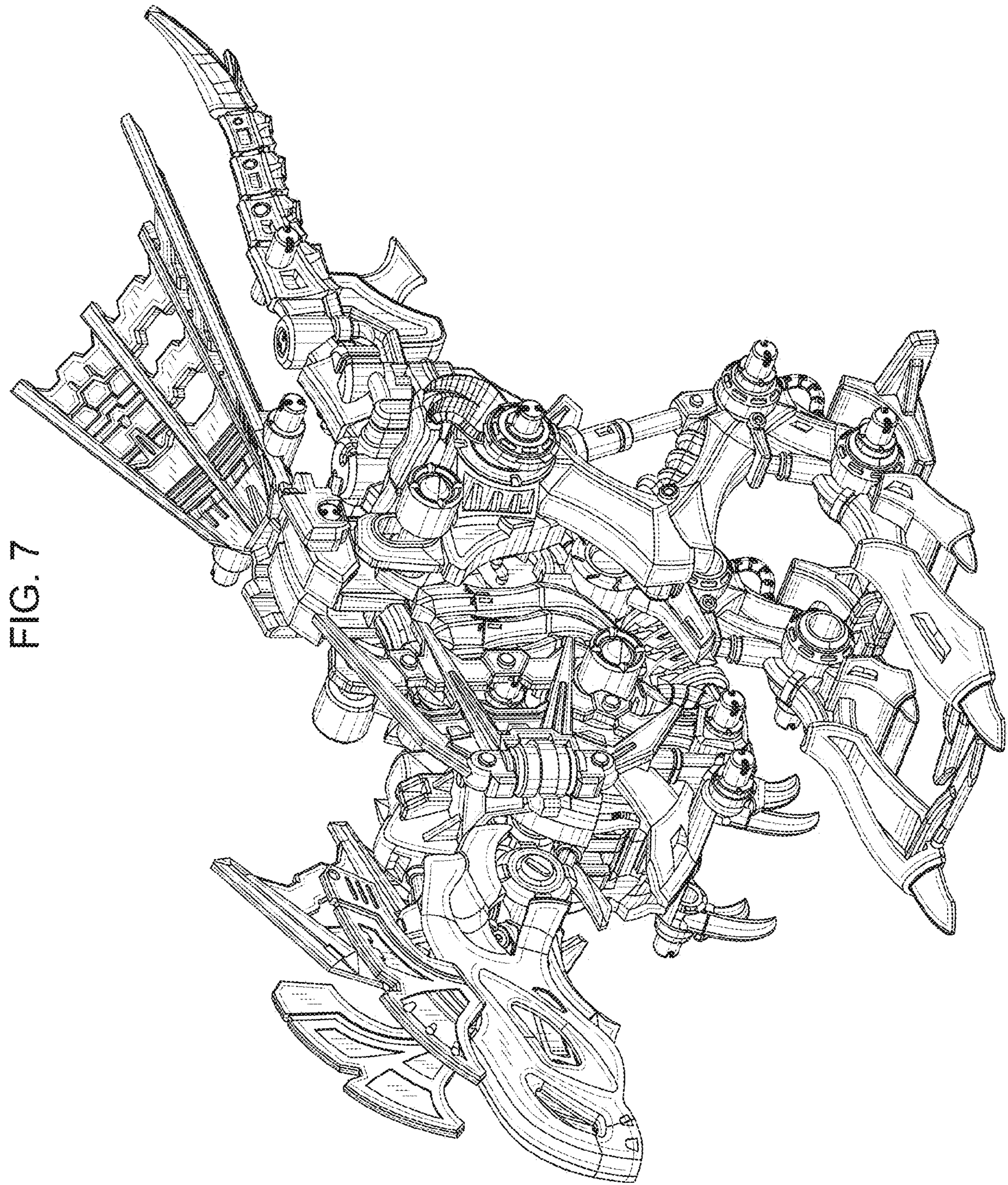
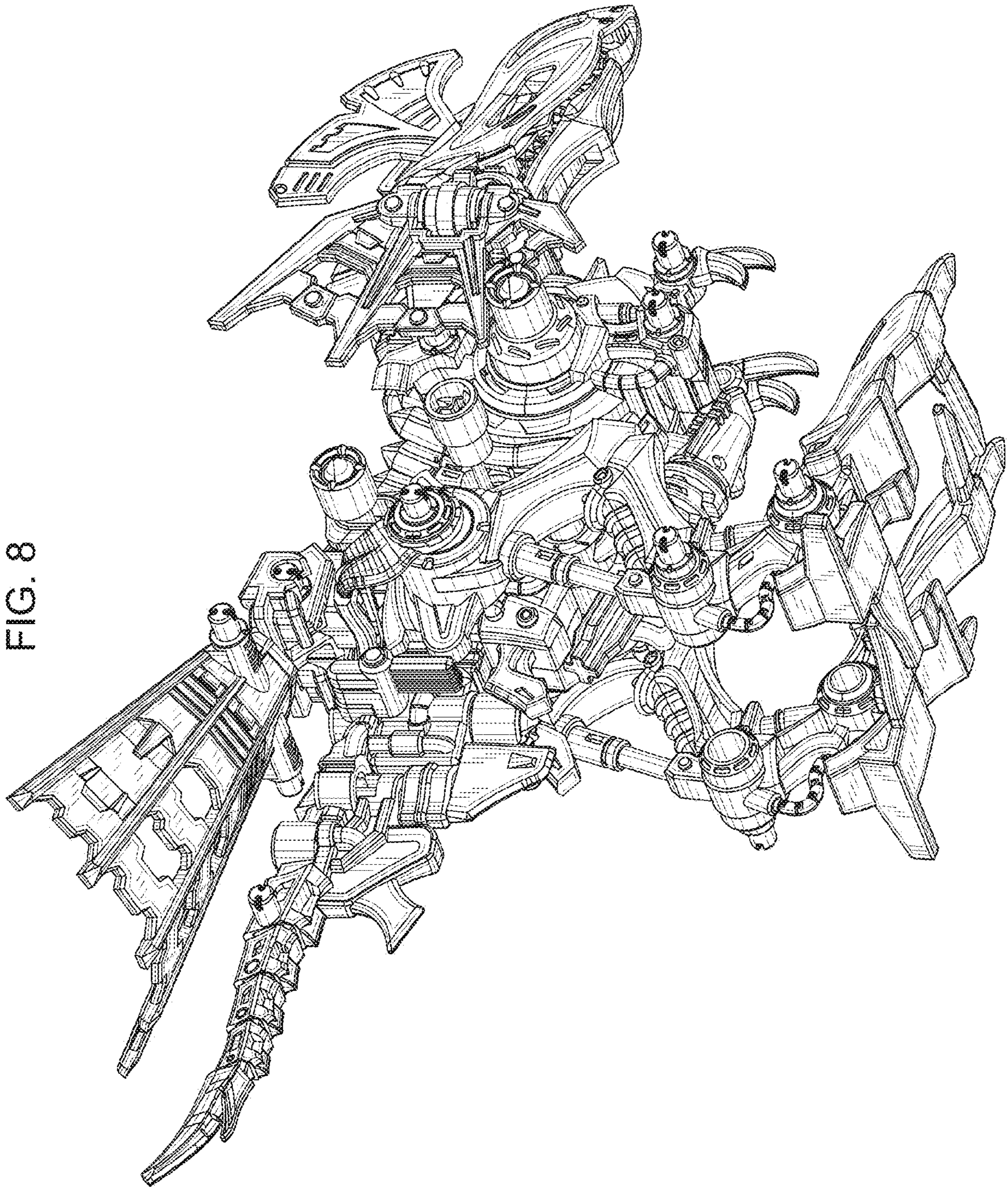


FIG. 8



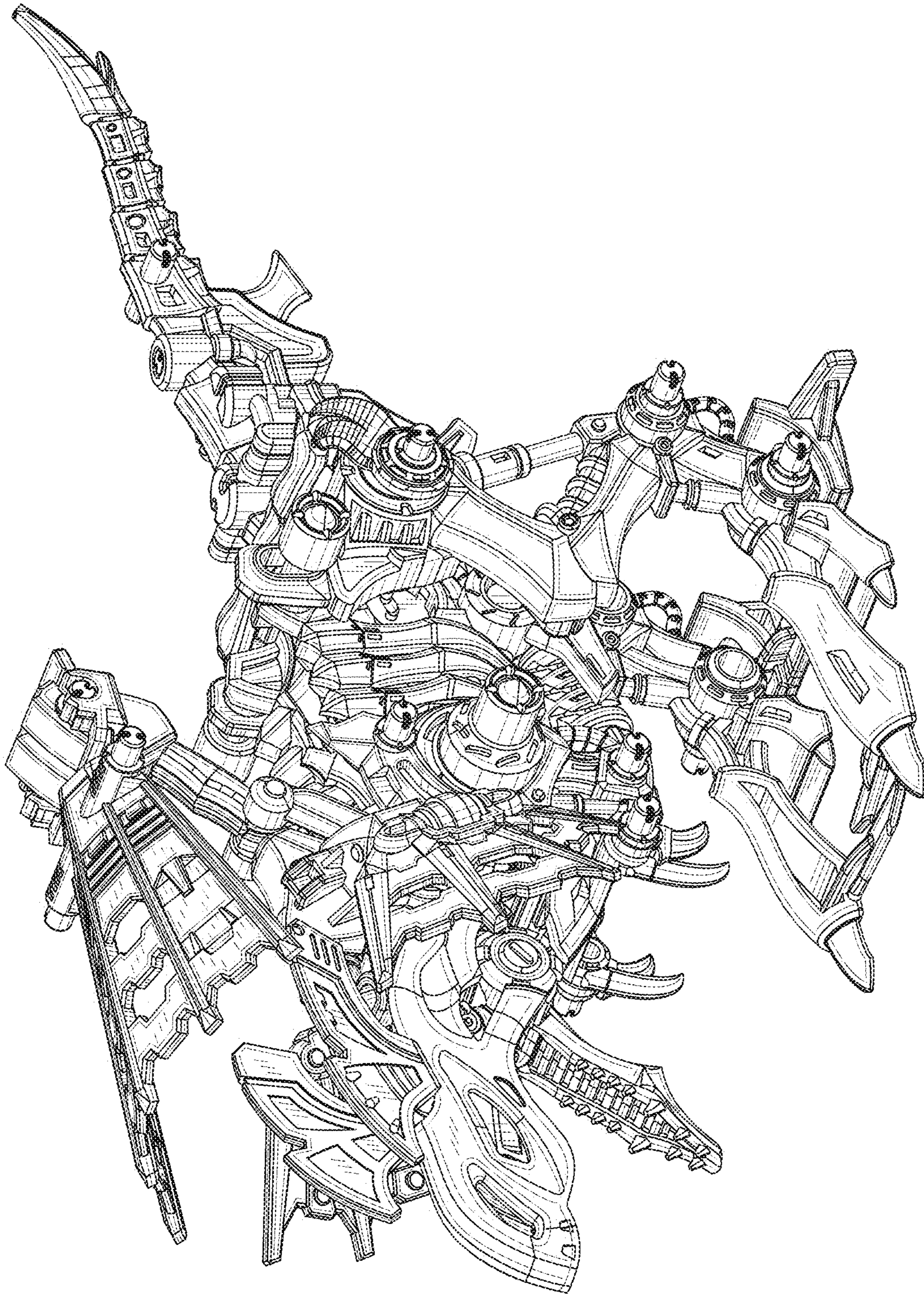


FIG. 9

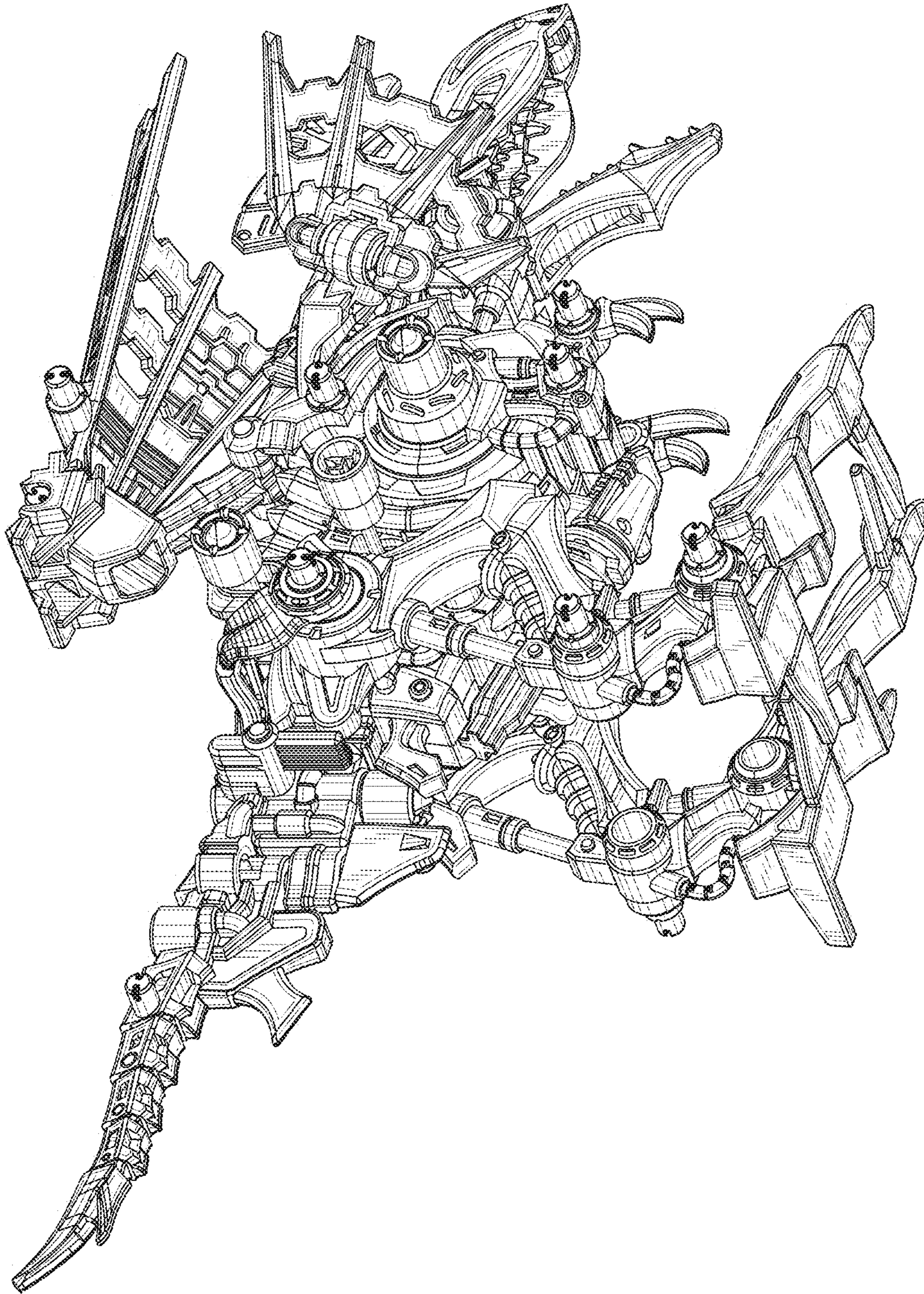


FIG. 10