



US00D886916S

(12) **United States Design Patent**  
**Katayama et al.**

(10) **Patent No.:** **US D886,916 S**  
(45) **Date of Patent:** **\*\* Jun. 9, 2020**

(54) **ROBOT TOY**

(71) Applicant: **TOMY COMPANY, LTD.**, Tokyo (JP)

(72) Inventors: **Shu Katayama**, Tokyo (JP); **Akiko Ikoma**, Tokyo (JP); **Mitsutoshi Tokuyama**, Tokyo (JP); **Shigeru Kanauchi**, Tokyo (JP); **Masashi Katahira**, Tokyo (JP)

(73) Assignee: **TOMY COMPANY, LTD.**, Tokyo (JP)

(\*\*) Term: **15 Years**

(21) Appl. No.: **29/681,830**

(22) Filed: **Feb. 28, 2019**

(30) **Foreign Application Priority Data**

Aug. 28, 2018 (JP) ..... 2018-018695

(51) **LOC (12) Cl.** ..... **21-01**

(52) **U.S. Cl.**  
USPC ..... **D21/578**; D21/650

(58) **Field of Classification Search**  
USPC ..... D6/598; D11/158–159, 162;  
D21/576–596, 598, 604–605, 611–613,  
D21/615, 617–618, 621, 650; 446/99,  
446/268, 330, 368–370, 376, 428, 487;  
180/8.6; D30/160  
CPC ... A63H 3/00; A63H 3/02; A63H 3/04; A63H  
3/16; A63H 3/28; A63H 3/36; A63H  
7/06; A63H 11/00; A63H 11/10; A63H  
11/20; A63H 11/205; A63H 13/00; A63H  
33/04; A63H 33/08; A63H 33/042; A63H  
23/10; A63H 5/00

See application file for complete search history.

(56) **References Cited**

U.S. PATENT DOCUMENTS

4,629,440	A *	12/1986	McKittrick, Jr. ....	A63H 11/20 180/8.6
4,669,997	A *	6/1987	Kulesza .....	A63H 3/20 446/337
D464,093	S *	10/2002	Weiser .....	D21/585
D555,213	S *	11/2007	Bowen .....	D21/578
D576,217	S *	9/2008	Pasko .....	D21/650
D629,471	S *	12/2010	O'Keefe .....	D21/650
7,938,708	B2 *	5/2011	Willet .....	A63H 11/205 446/330
D667,512	S *	9/2012	Mimlitch, III .....	A63H 11/20 D21/578

\* cited by examiner

*Primary Examiner* — Sandra L Morris

(74) *Attorney, Agent, or Firm* — Oliff PLC

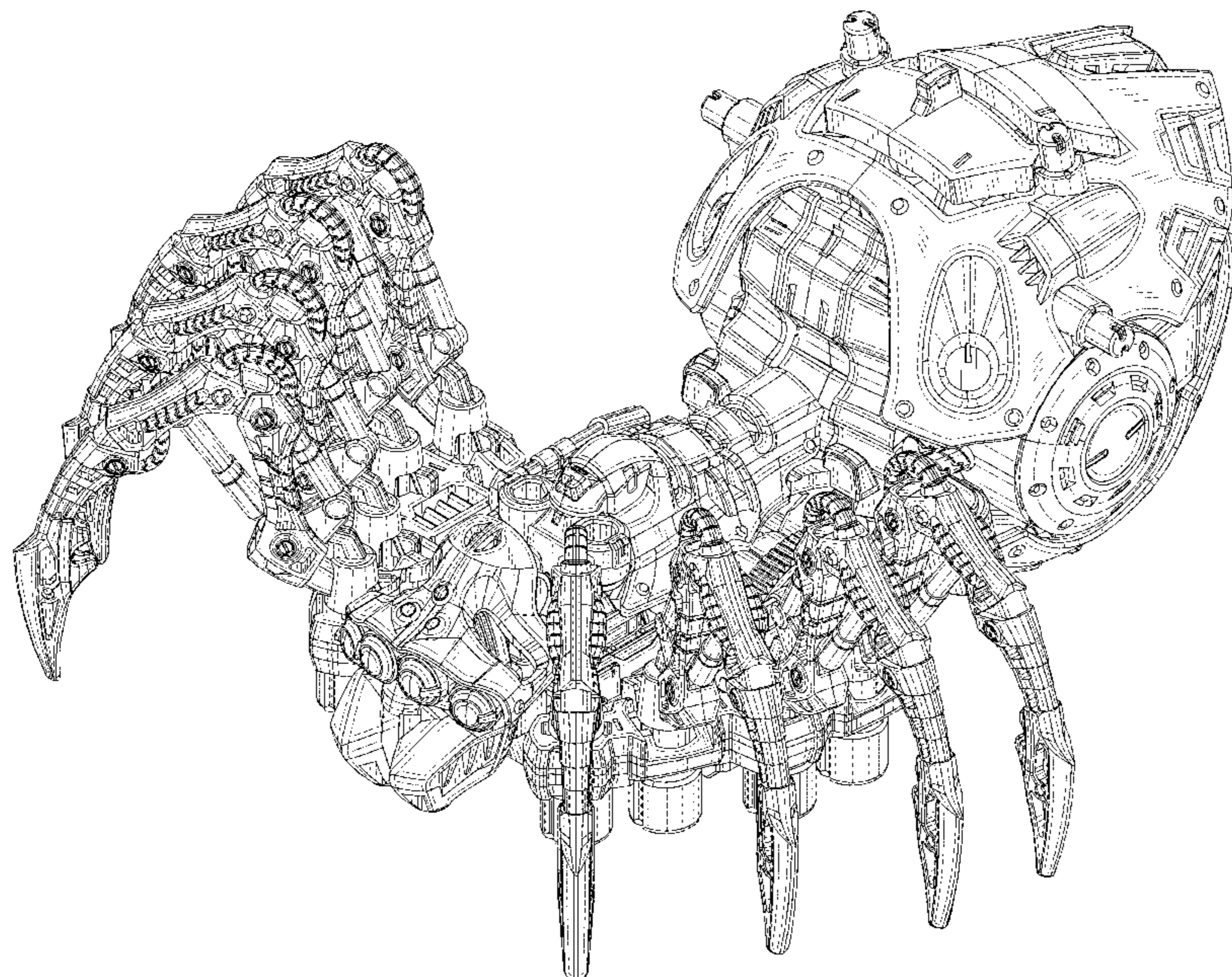
(57) **CLAIM**

The ornamental design for a robot toy, as shown and described.

**DESCRIPTION**

FIG. 1 is a right-side elevational view of the robot toy;  
FIG. 2 is a left-side elevational view thereof;  
FIG. 3 is a front elevational view thereof;  
FIG. 4 is a rear elevational view thereof;  
FIG. 5 is a top plan view thereof;  
FIG. 6 is a bottom plan view thereof;  
FIG. 7 is a front, right-side and top perspective view thereof;  
FIG. 8 is a rear, left-side and bottom perspective view thereof;  
FIG. 9 is a front, right-side and top perspective view thereof in an alternate arrangement; and,  
FIG. 10 is a rear, left-side and bottom perspective view thereof in the alternate arrangement.

**1 Claim, 10 Drawing Sheets**



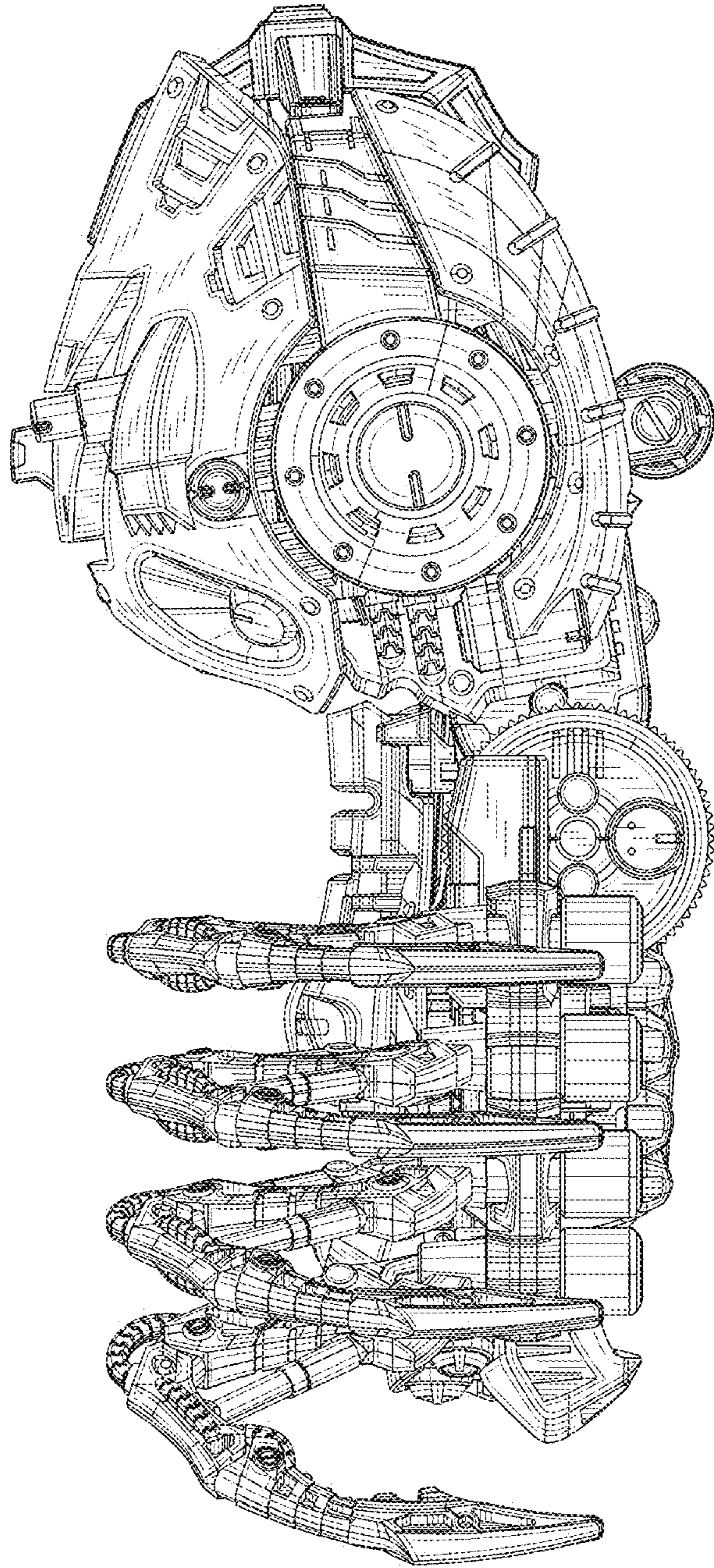


FIG. 1

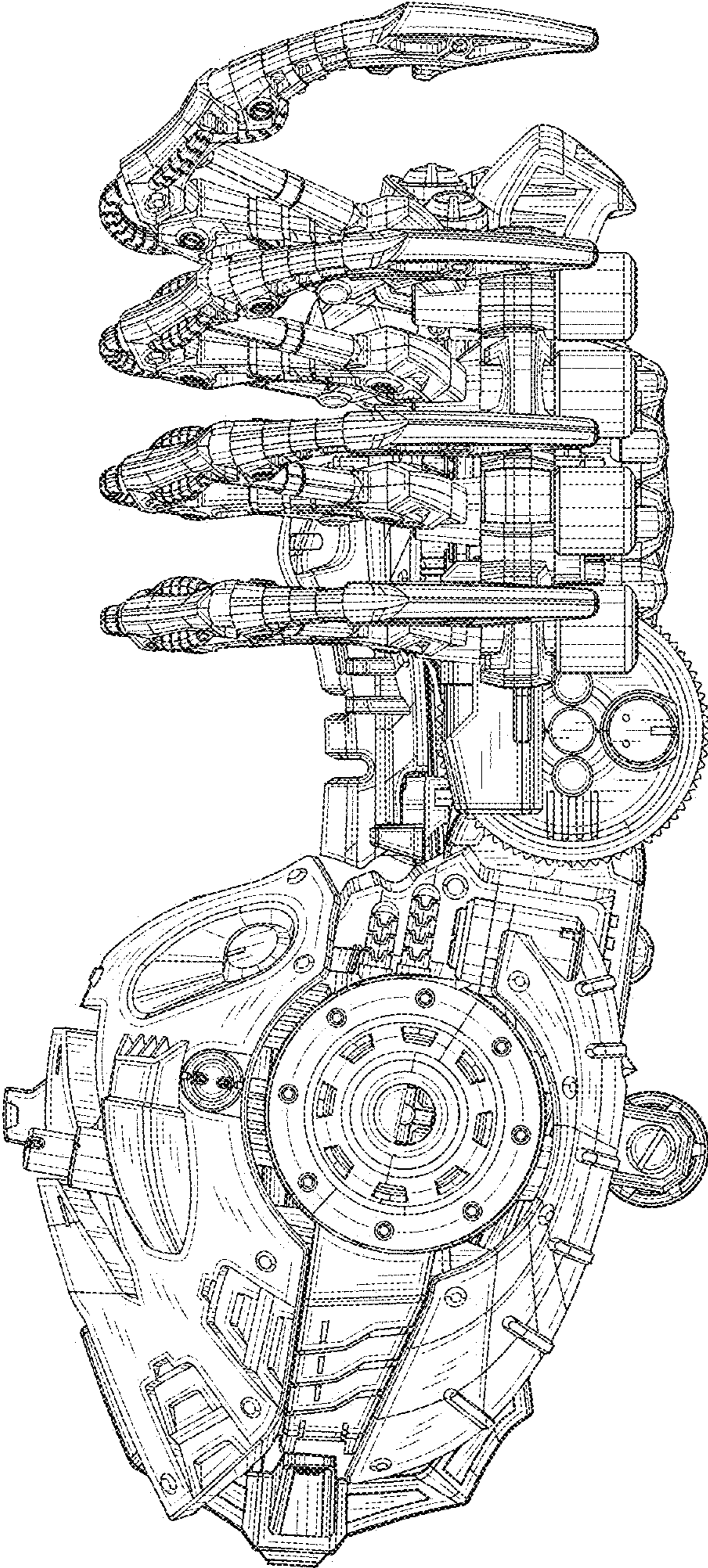


FIG. 2

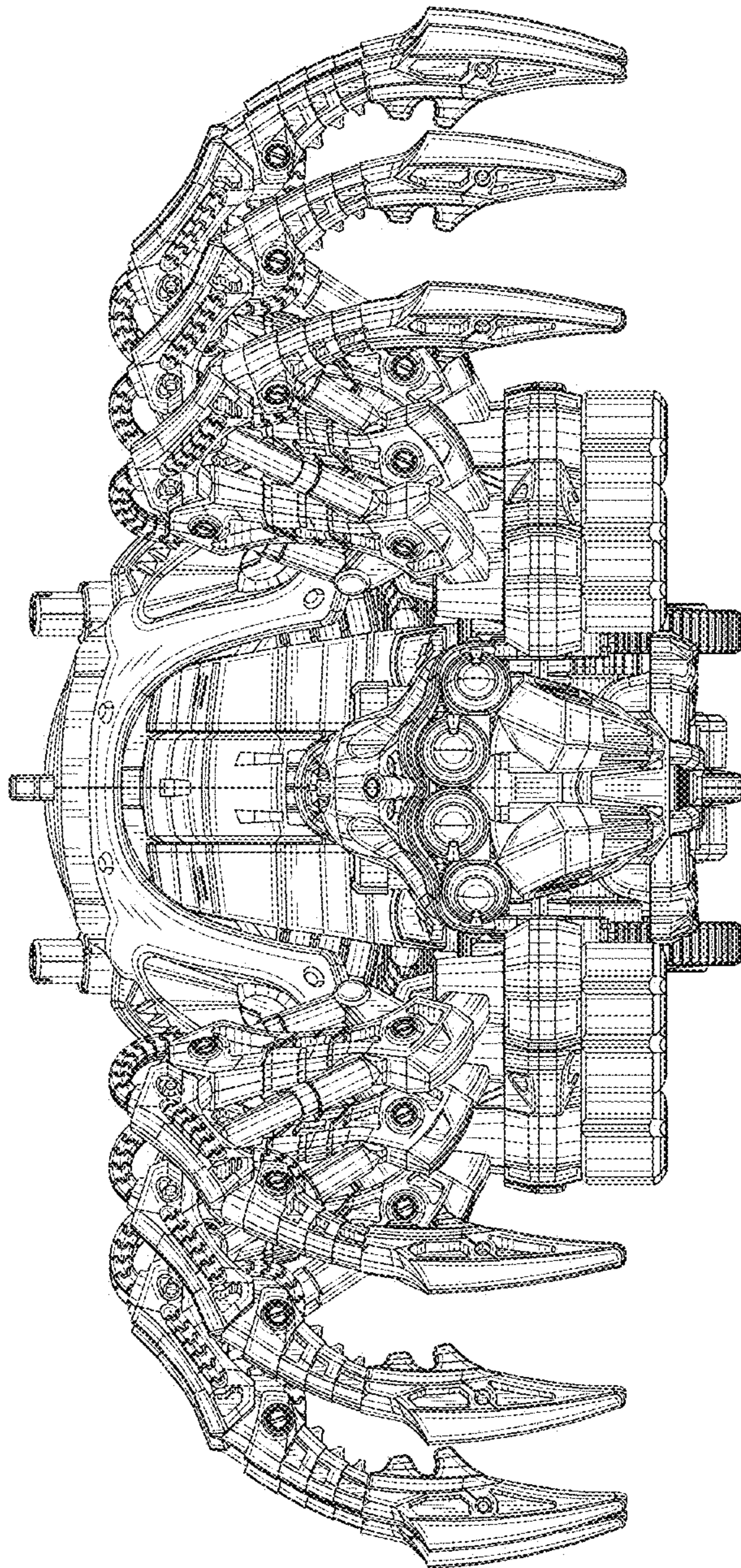


FIG. 3

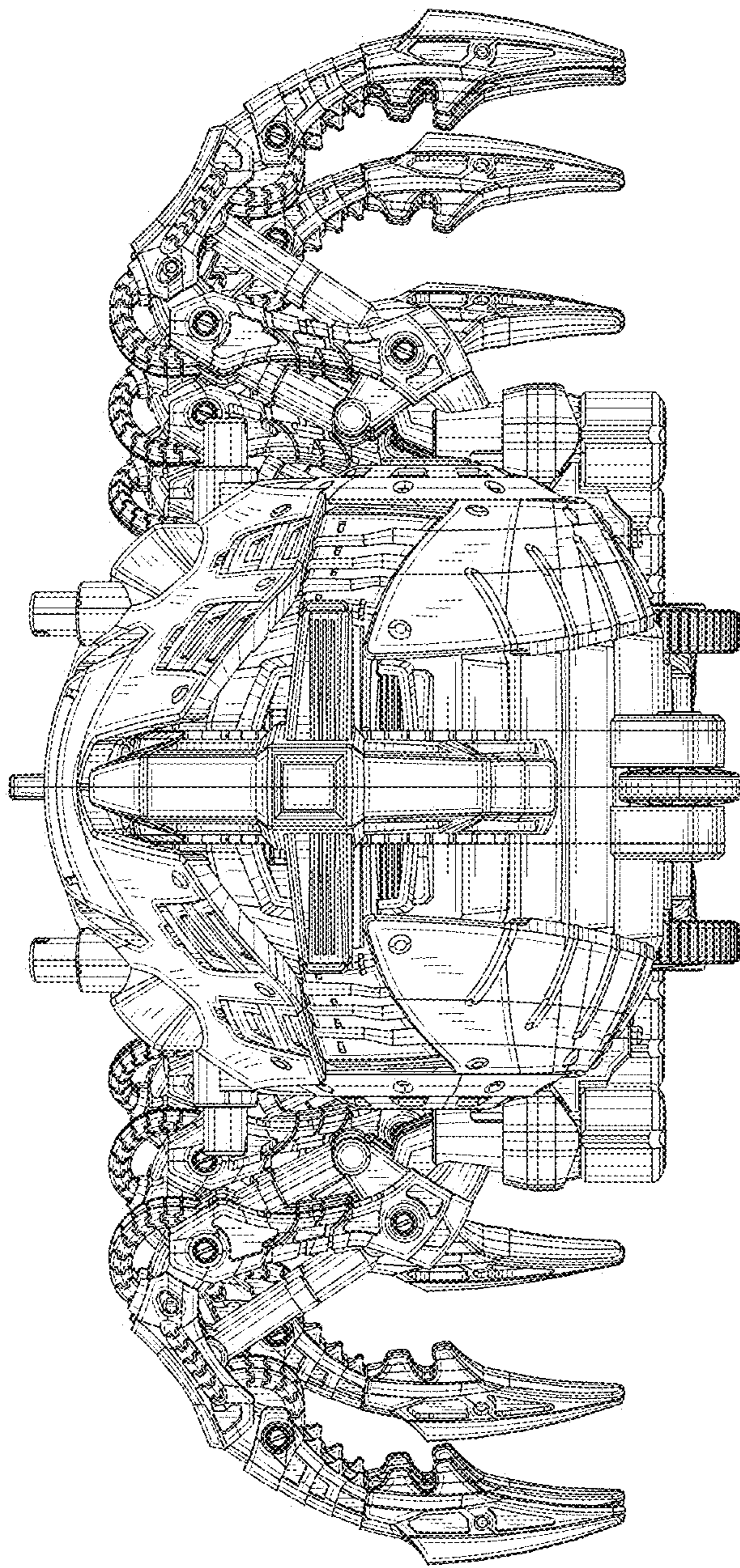


FIG. 4

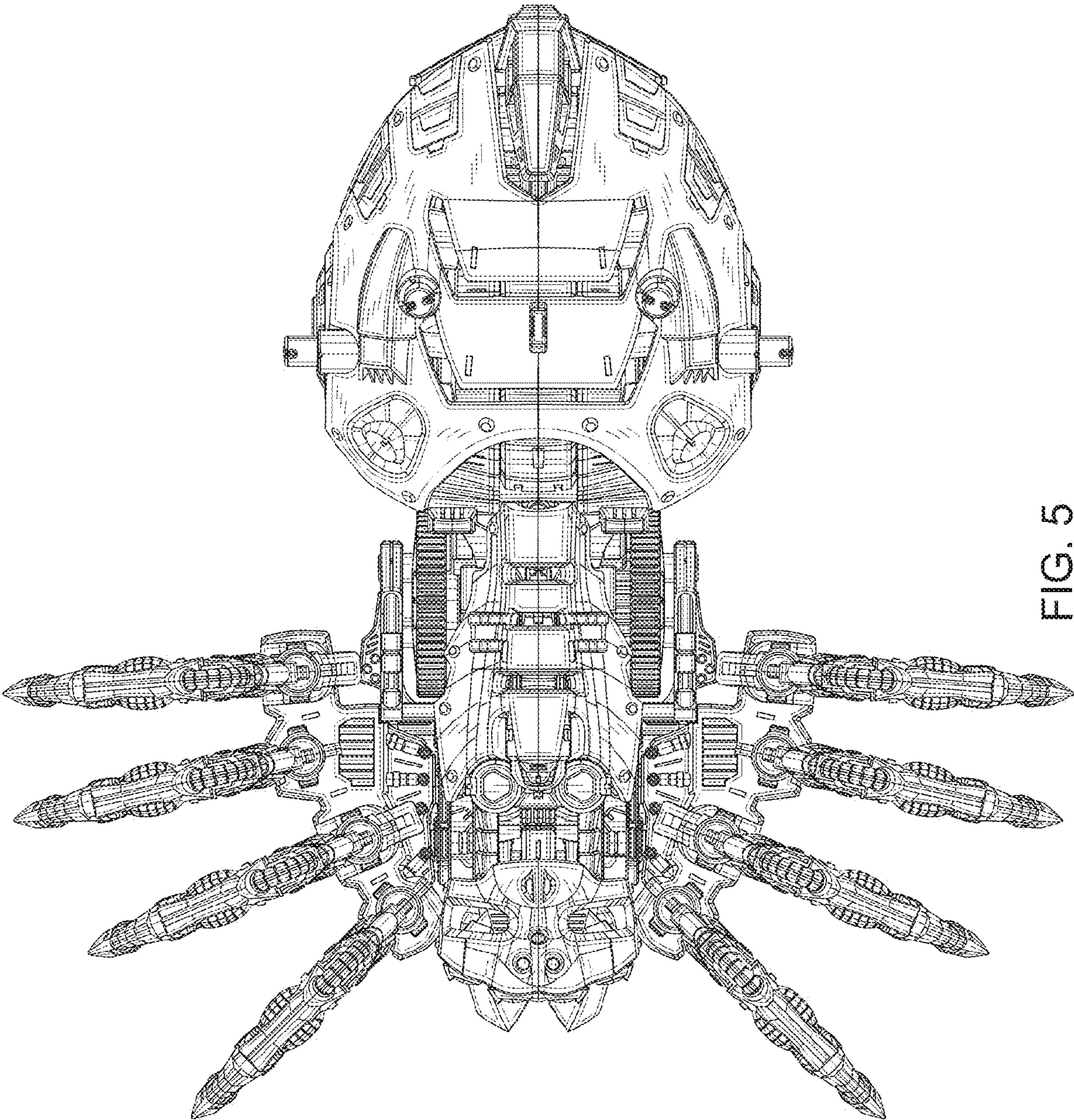


FIG. 5

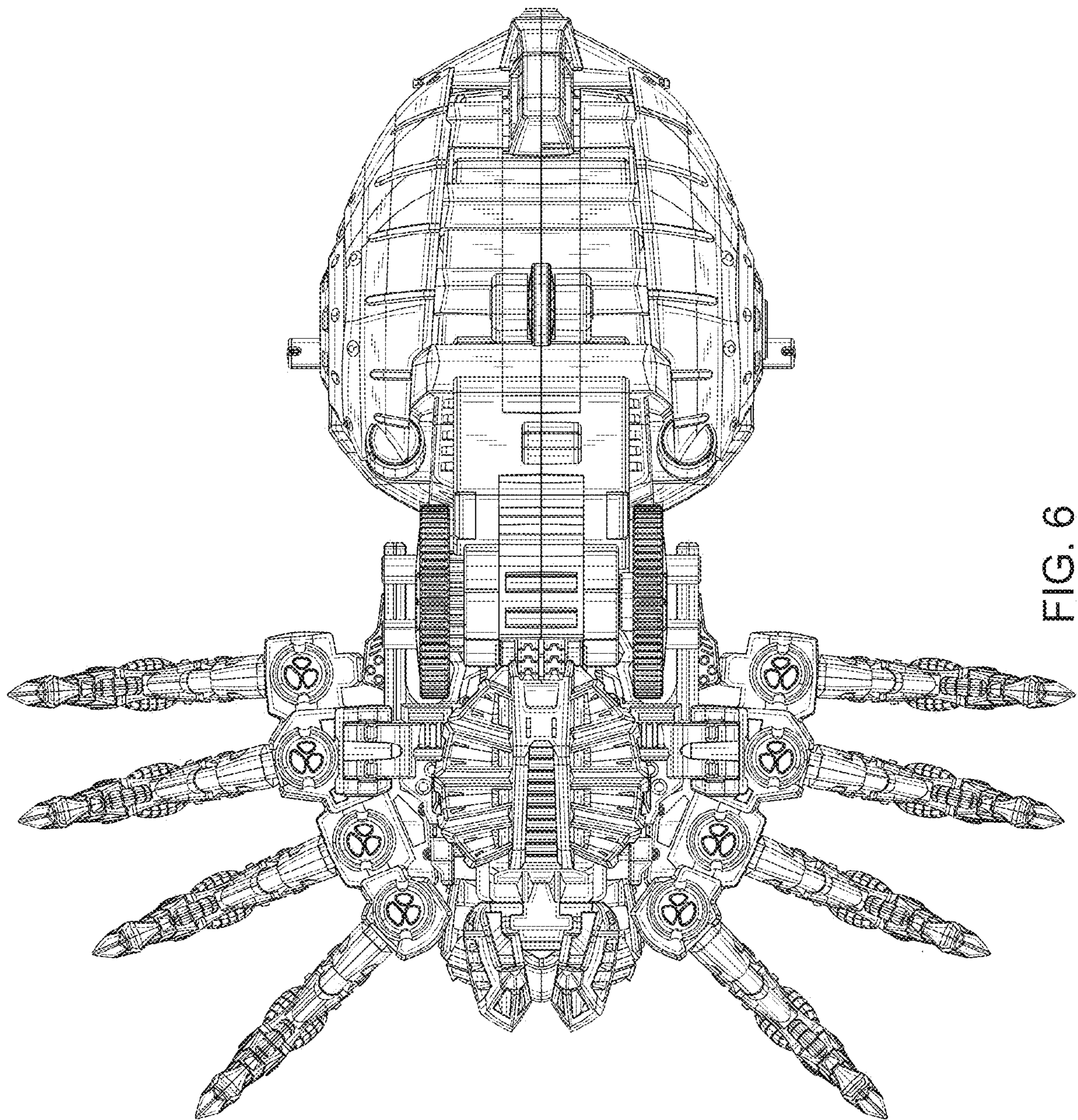


FIG. 6

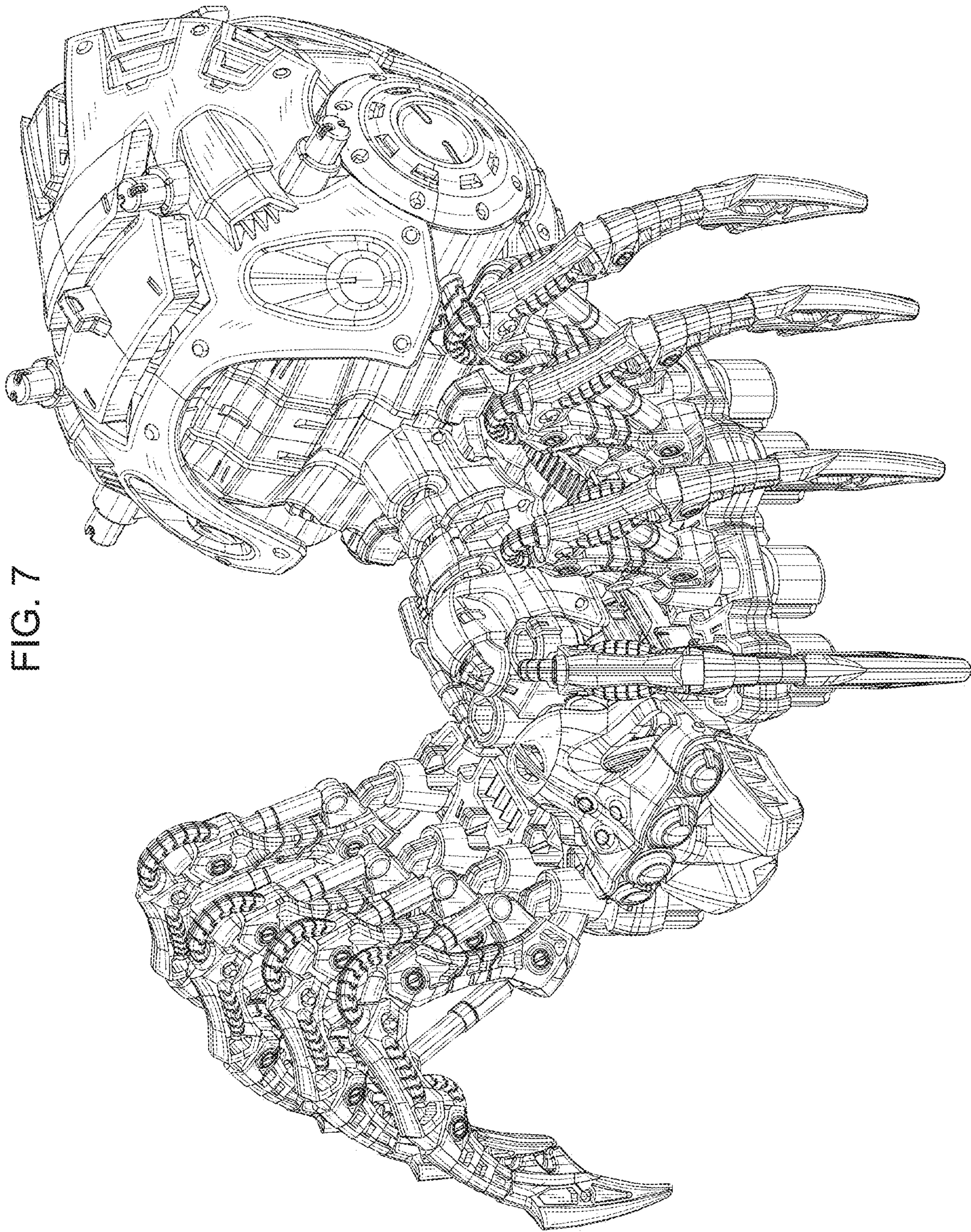


FIG. 7



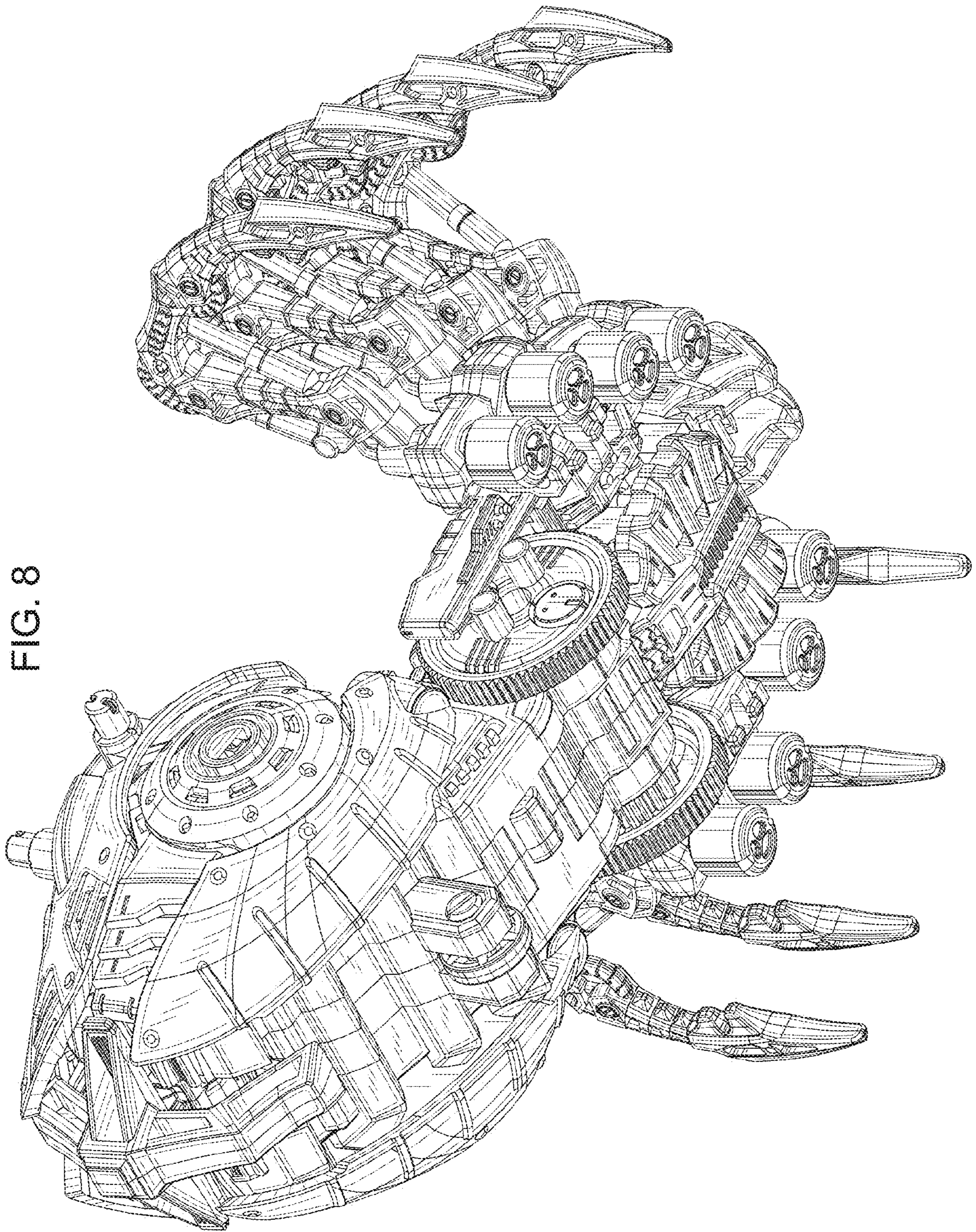


FIG. 8

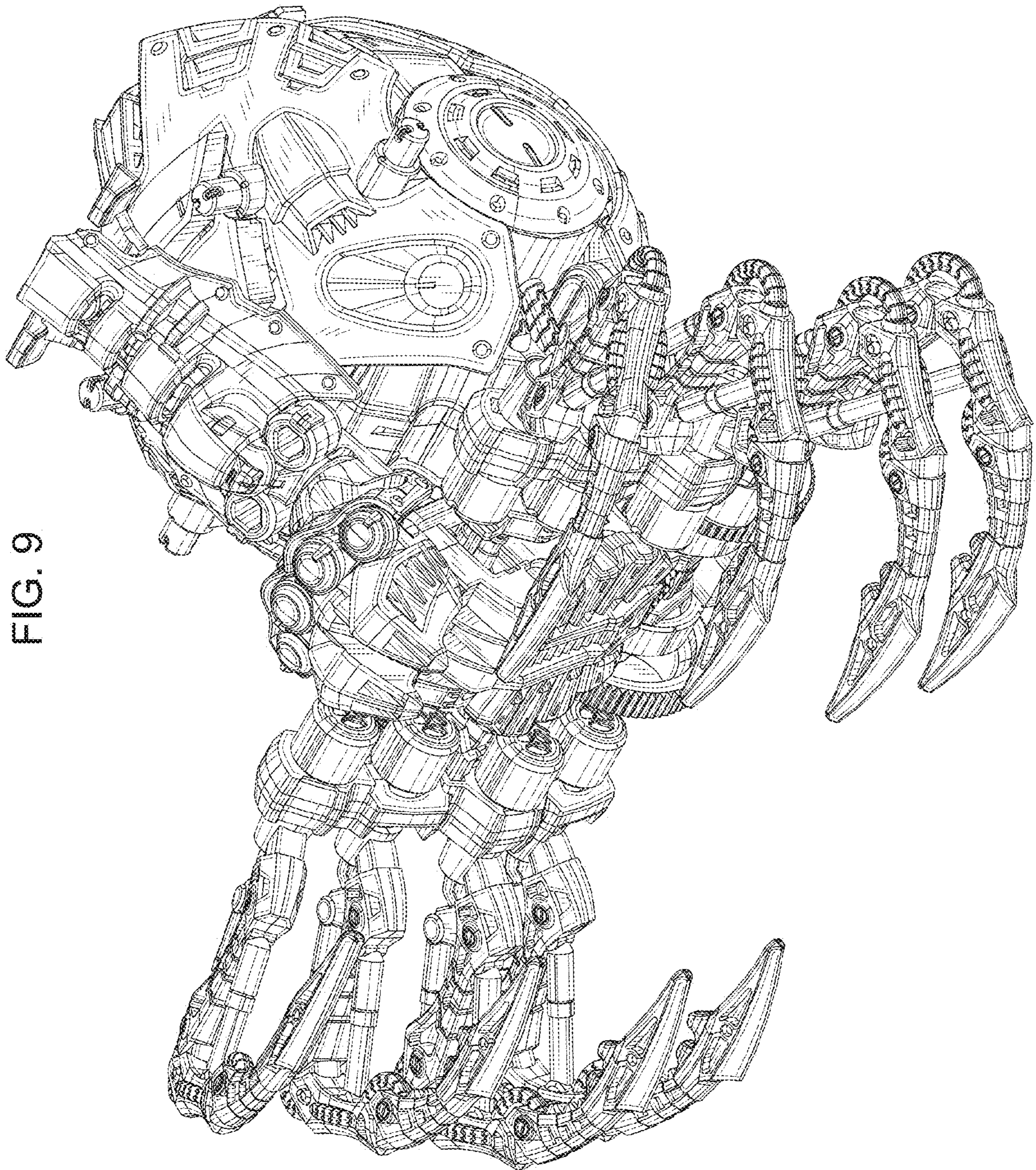


FIG. 9

FIG. 10

