



US00D886915S

(12) **United States Design Patent** (10) **Patent No.:** **US D886,915 S**  
**Ikoma et al.** (45) **Date of Patent:** **\*\* Jun. 9, 2020**

(54) **ROBOT TOY**

(71) Applicant: **TOMY COMPANY, LTD.**, Tokyo (JP)

(72) Inventors: **Akiko Ikoma**, Tokyo (JP); **Tabito Kurosaka**, Tokyo (JP); **Shu Katayama**, Tokyo (JP); **Mitsutoshi Tokuyama**, Tokyo (JP); **Shigeru Kanauchi**, Tokyo (JP); **Tomoyuki Tanaka**, Tokyo (JP)

(73) Assignee: **TOMY COMPANY, LTD.**, Tokyo (JP)

(\*\*) Term: **15 Years**

(21) Appl. No.: **29/680,272**

(22) Filed: **Feb. 14, 2019**

(30) **Foreign Application Priority Data**

Aug. 28, 2018 (JP) ..... 2018-018696

(51) **LOC (12) Cl.** ..... **21-01**

(52) **U.S. Cl.**  
USPC ..... **D21/578**; D21/615

(58) **Field of Classification Search**  
USPC ..... D6/598; D11/158–159, 162;  
D21/576–596, 598, 604–605, 611–613,  
D21/615, 617–618, 621; 446/99, 268,  
446/368–369, 376, 428, 487; 180/8.6;  
D30/160  
CPC ... A63H 3/00; A63H 3/02; A63H 3/04; A63H  
3/16; A63H 3/28; A63H 3/36; A63H  
7/06; A63H 11/00; A63H 11/10; A63H  
11/20; A63H 11/205; A63H 13/00; A63H  
33/04; A63H 33/08; A63H 33/042; A63H  
23/10; A63H 5/00

See application file for complete search history.

(56) **References Cited**

U.S. PATENT DOCUMENTS

D307,776 S *	5/1990	Shinohara	.....	A63H 3/16 D21/584
D479,287 S *	9/2003	Nakase	.....	D21/578
D481,081 S *	10/2003	Okutsu	.....	D21/578
D484,196 S *	12/2003	Nakase	.....	A63H 5/00 D21/578
6,699,098 B1 *	3/2004	Kau	.....	A63H 5/00 446/268
D507,310 S *	7/2005	Nakase	.....	D21/578
D510,962 S *	10/2005	Nakase	.....	D21/578
7,520,793 B2 *	4/2009	Pillai	.....	A63H 3/16 446/97

\* cited by examiner

*Primary Examiner* — Sandra L Morris

(74) *Attorney, Agent, or Firm* — Oliff PLC

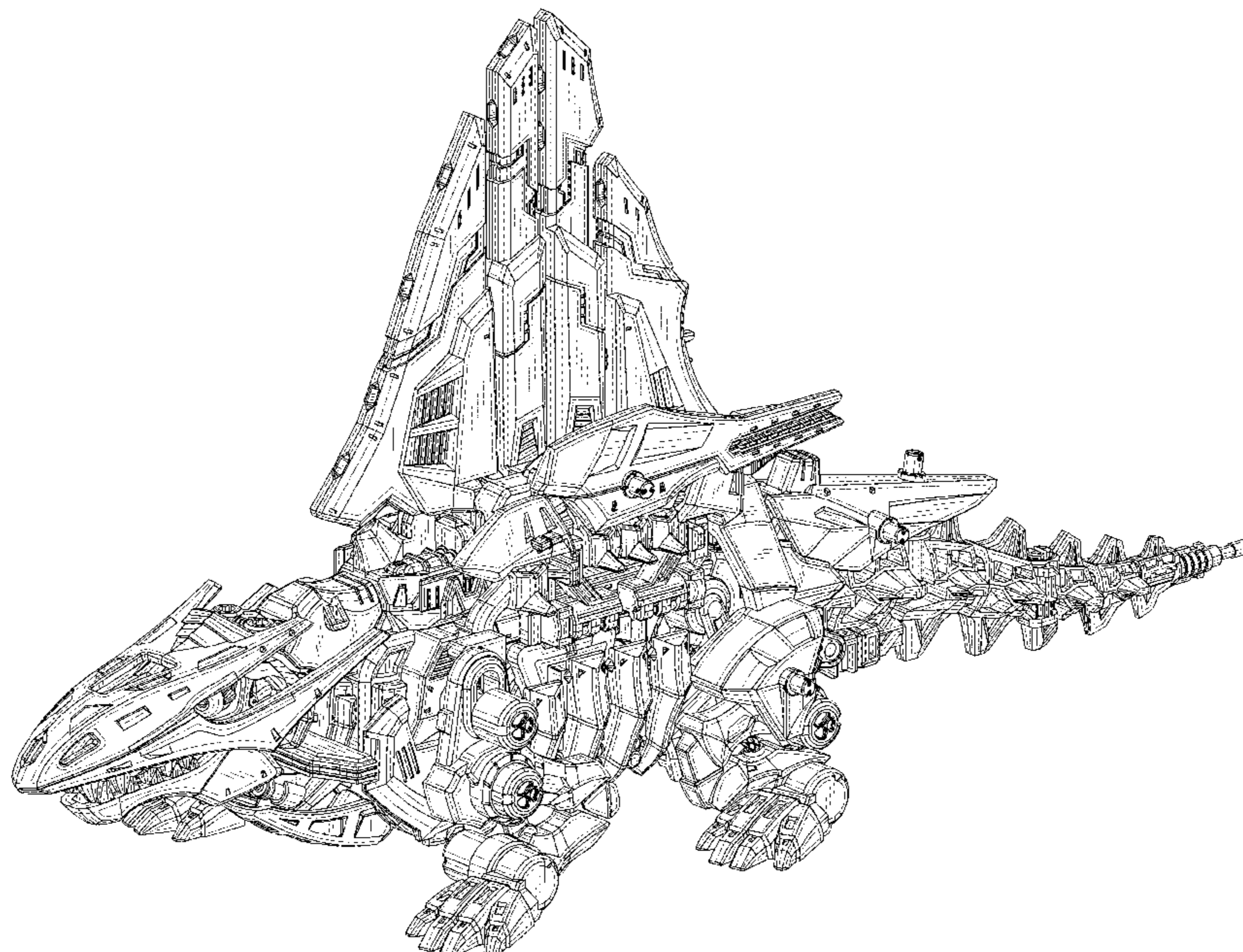
(57) **CLAIM**

The ornamental design for a robot toy, as shown and described.

**DESCRIPTION**

FIG. 1 is a right-side elevational view of the robot toy; FIG. 2 is a left-side elevational view thereof; FIG. 3 is a front elevational view thereof; FIG. 4 is a rear elevational view thereof; FIG. 5 is a top plan view thereof; FIG. 6 is a bottom plan view thereof; FIG. 7 is a front, right-side, top perspective view thereof; FIG. 8 is a rear, left-side, bottom perspective view thereof; FIG. 9 is a front, right-side, top perspective view of an alternate configuration thereof; and, FIG. 10 is a rear, left-side, bottom perspective view of the alternate configuration.

**1 Claim, 10 Drawing Sheets**



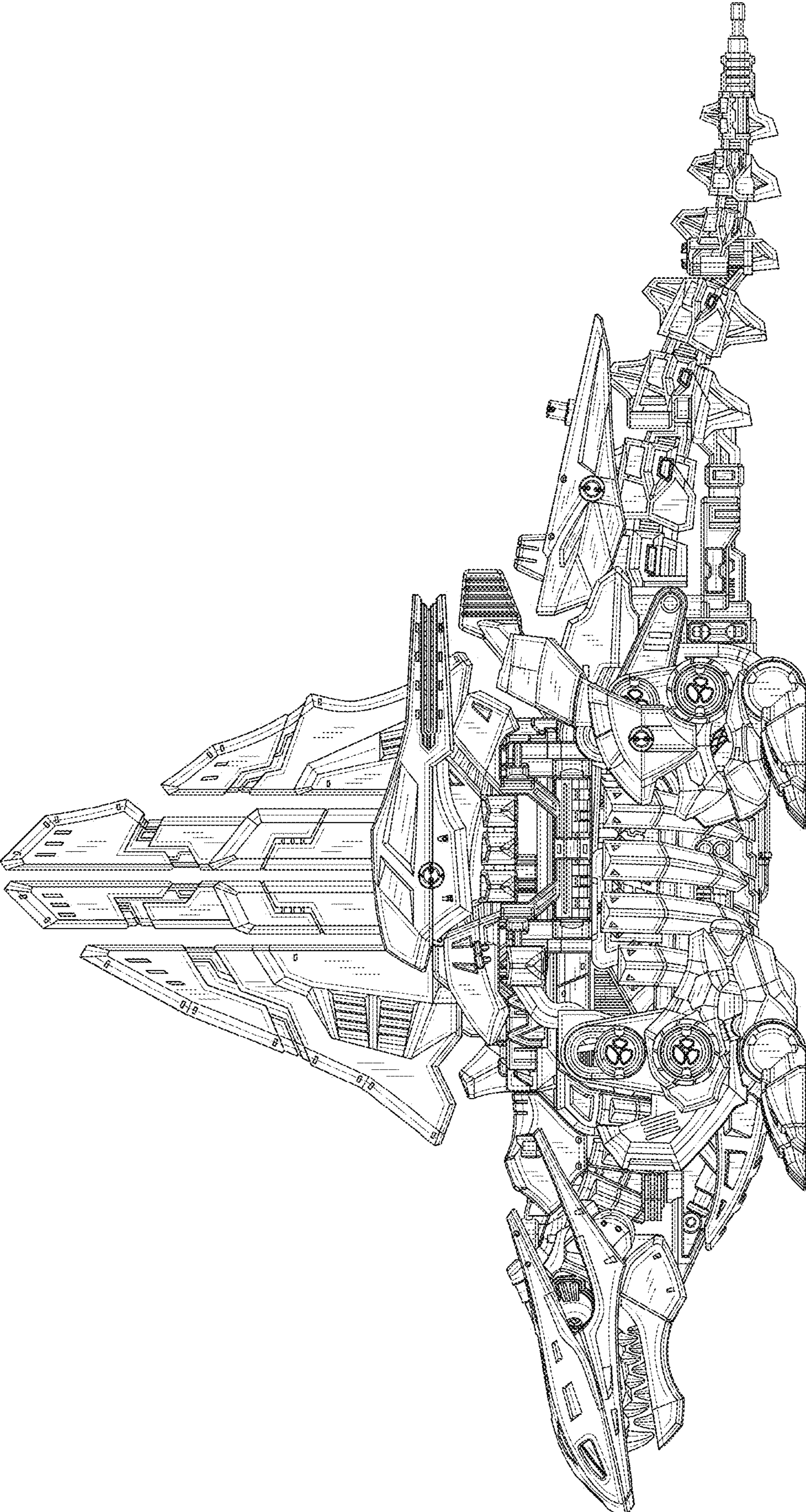


FIG. 1

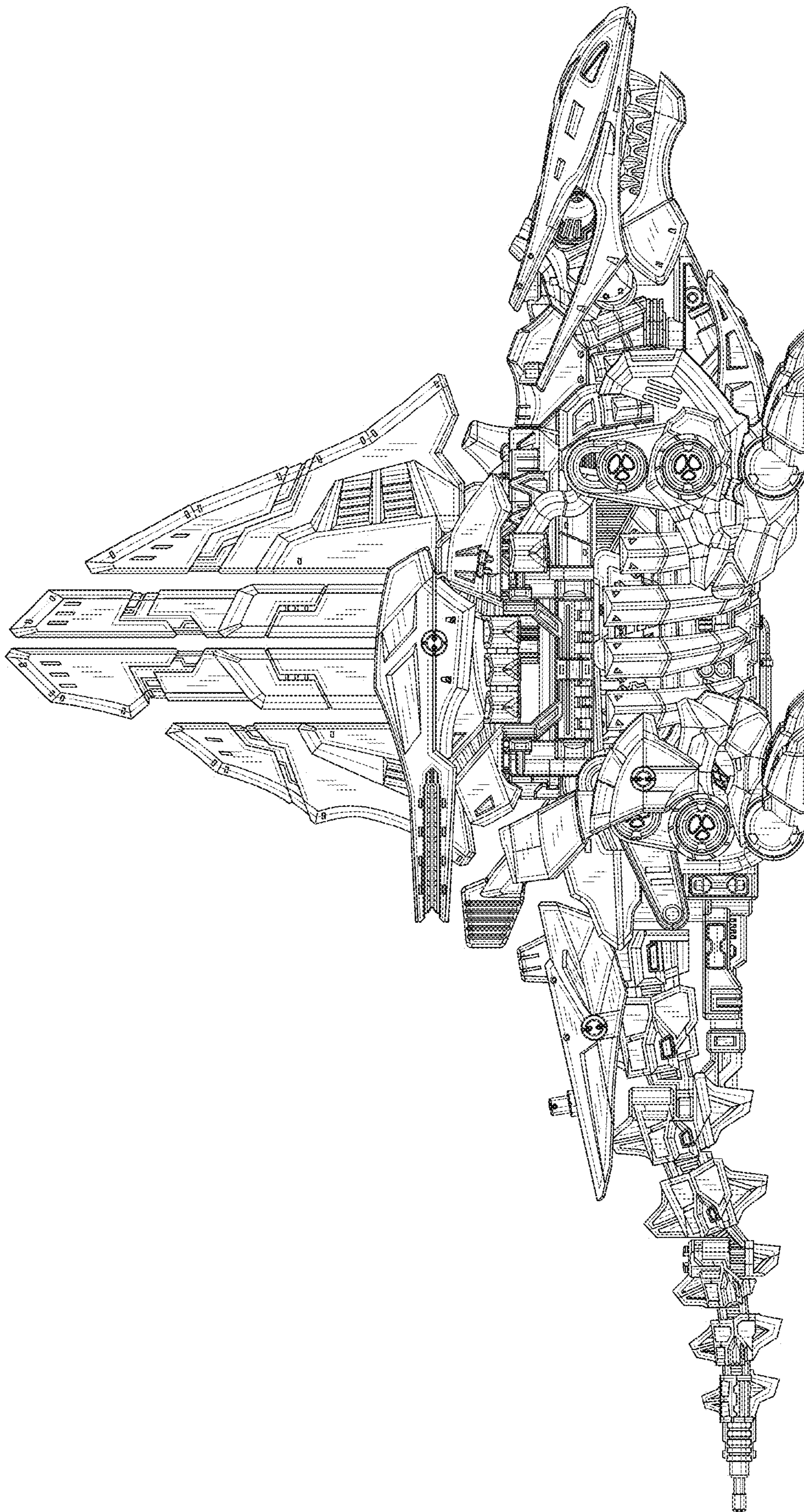


FIG. 2

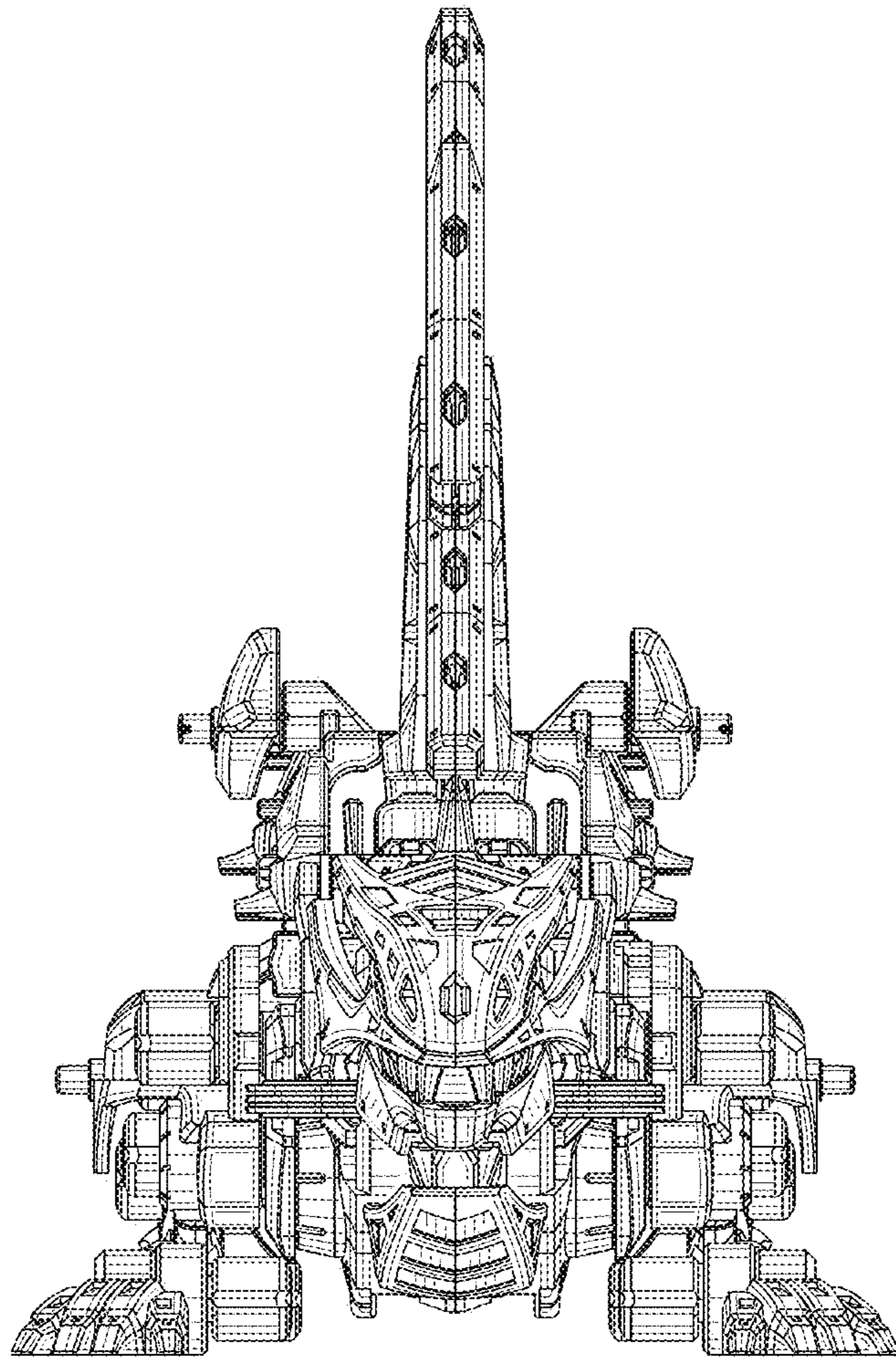


FIG. 3

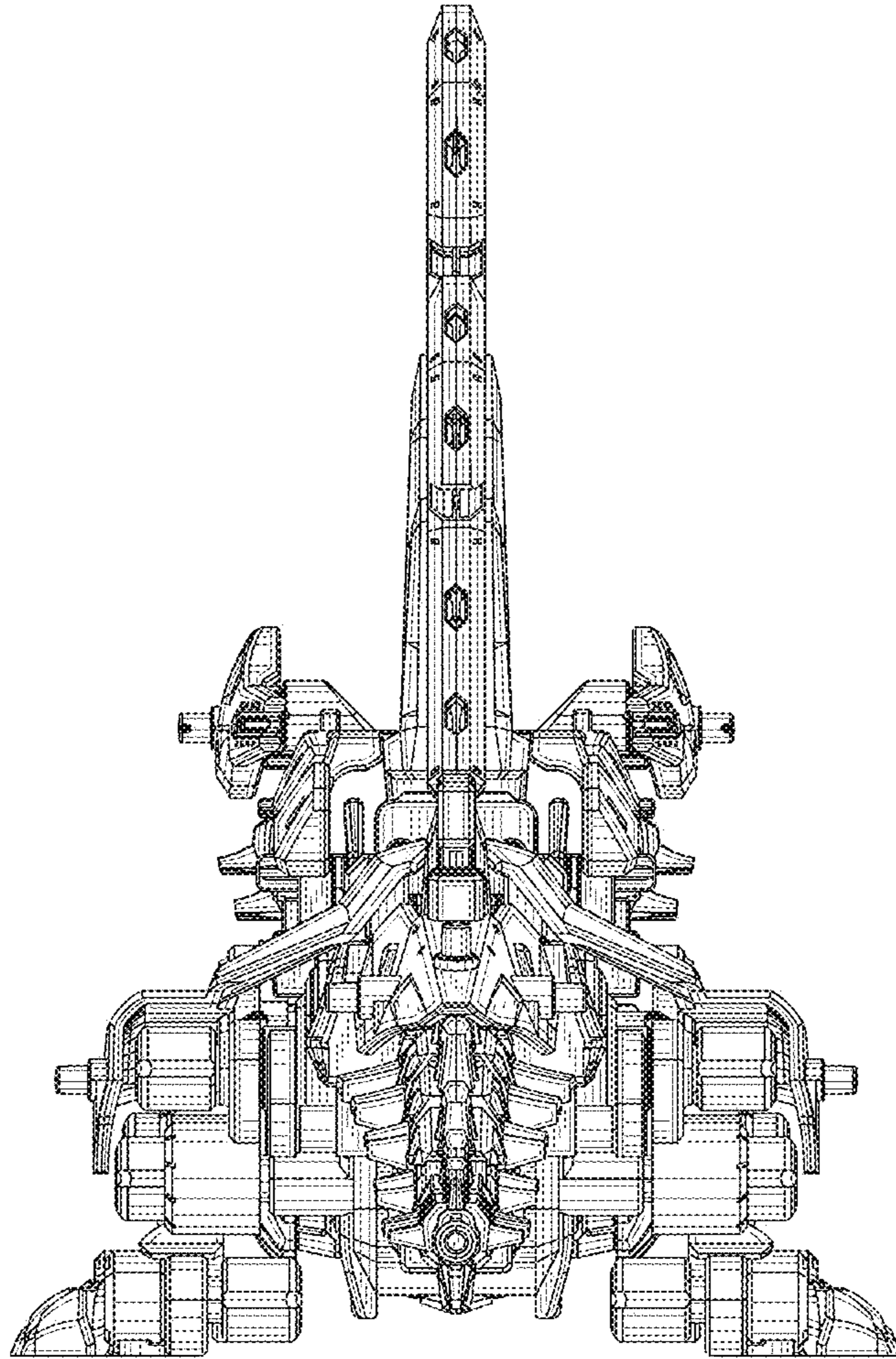


FIG. 4

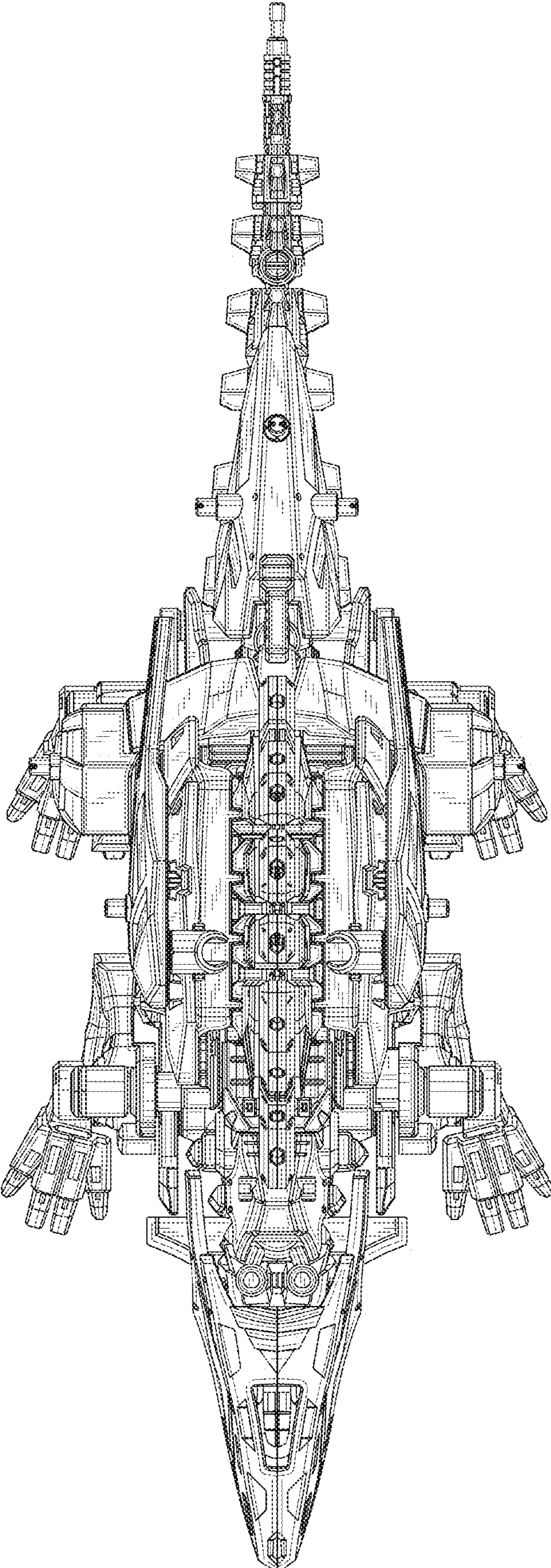


FIG. 5

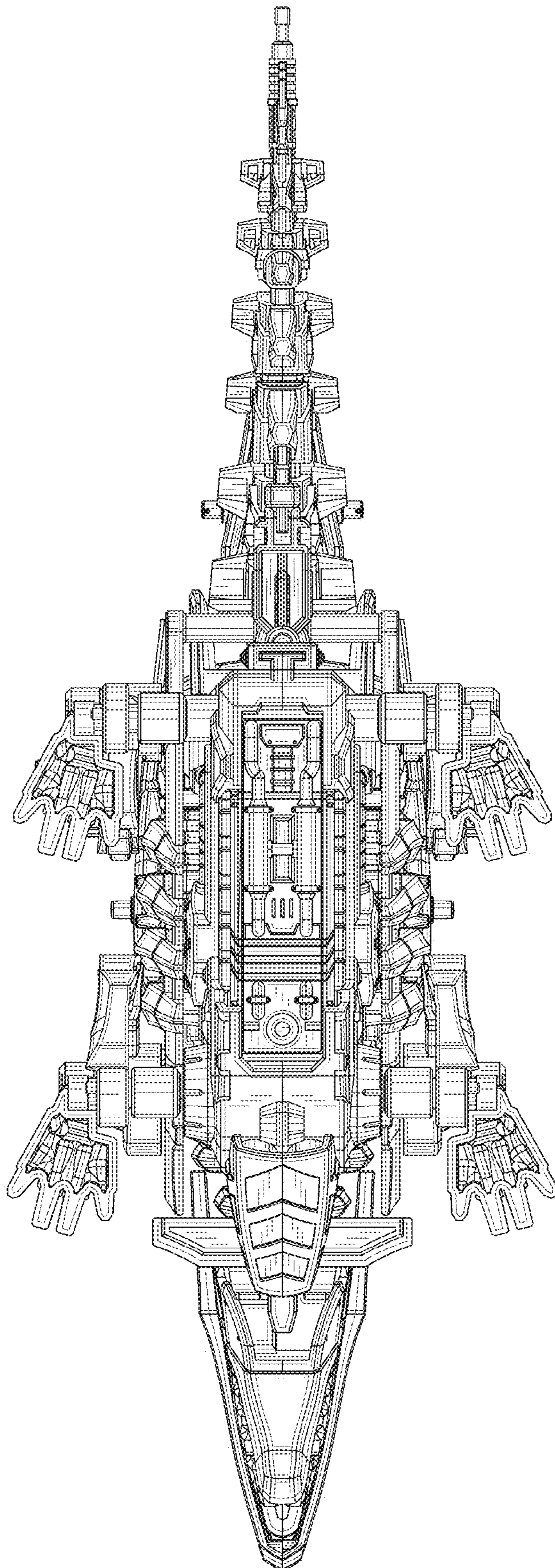


FIG. 6

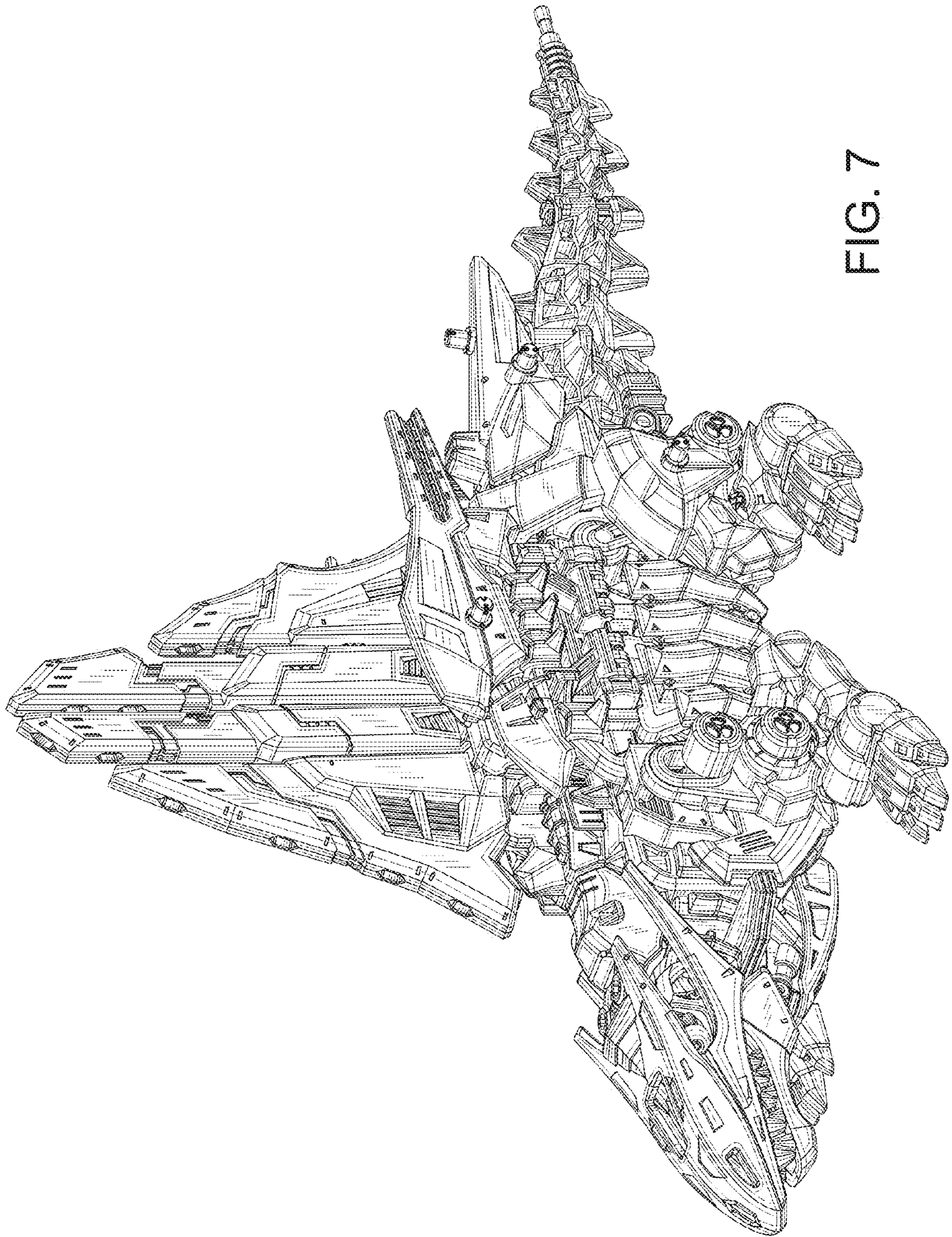


FIG. 7



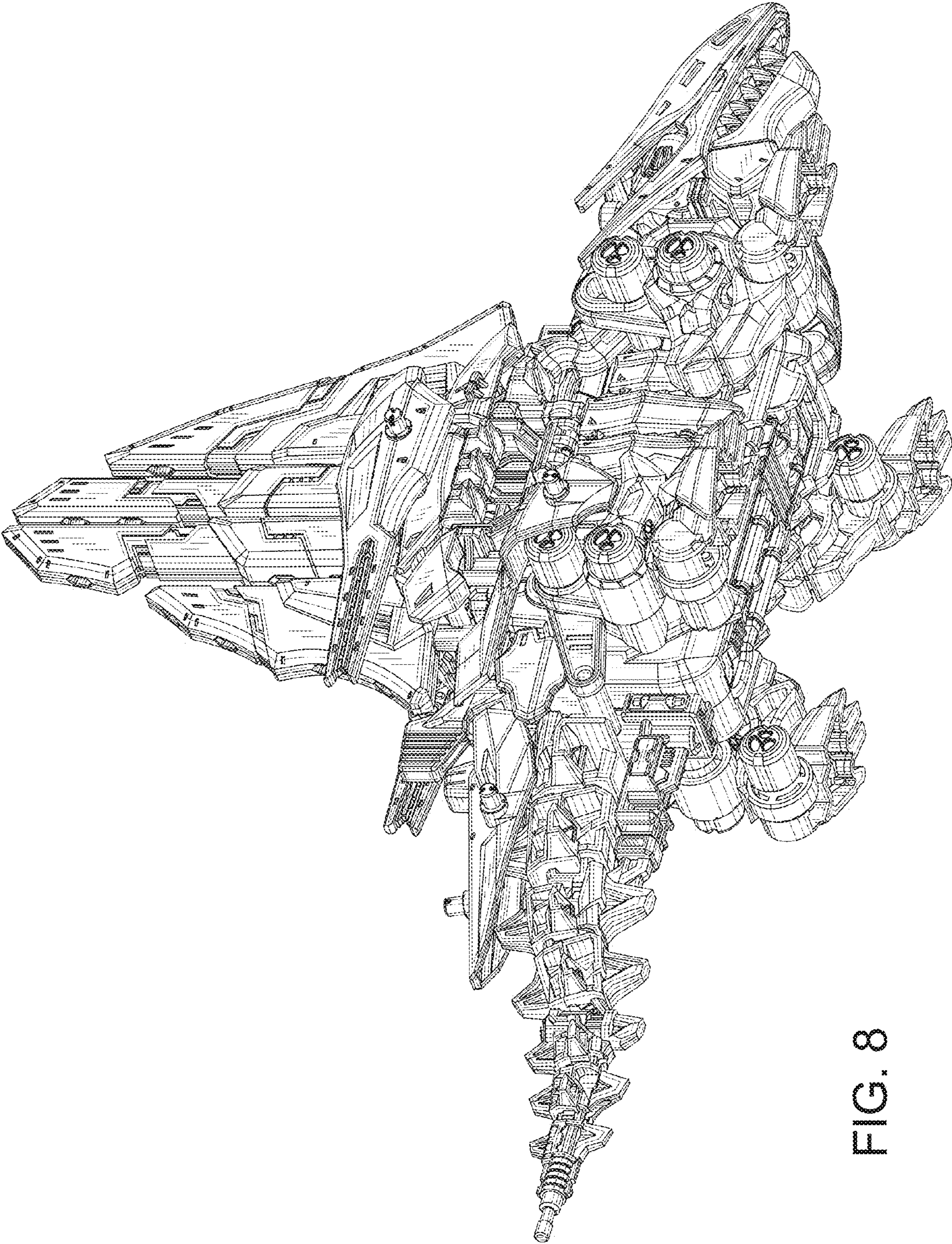


FIG. 8

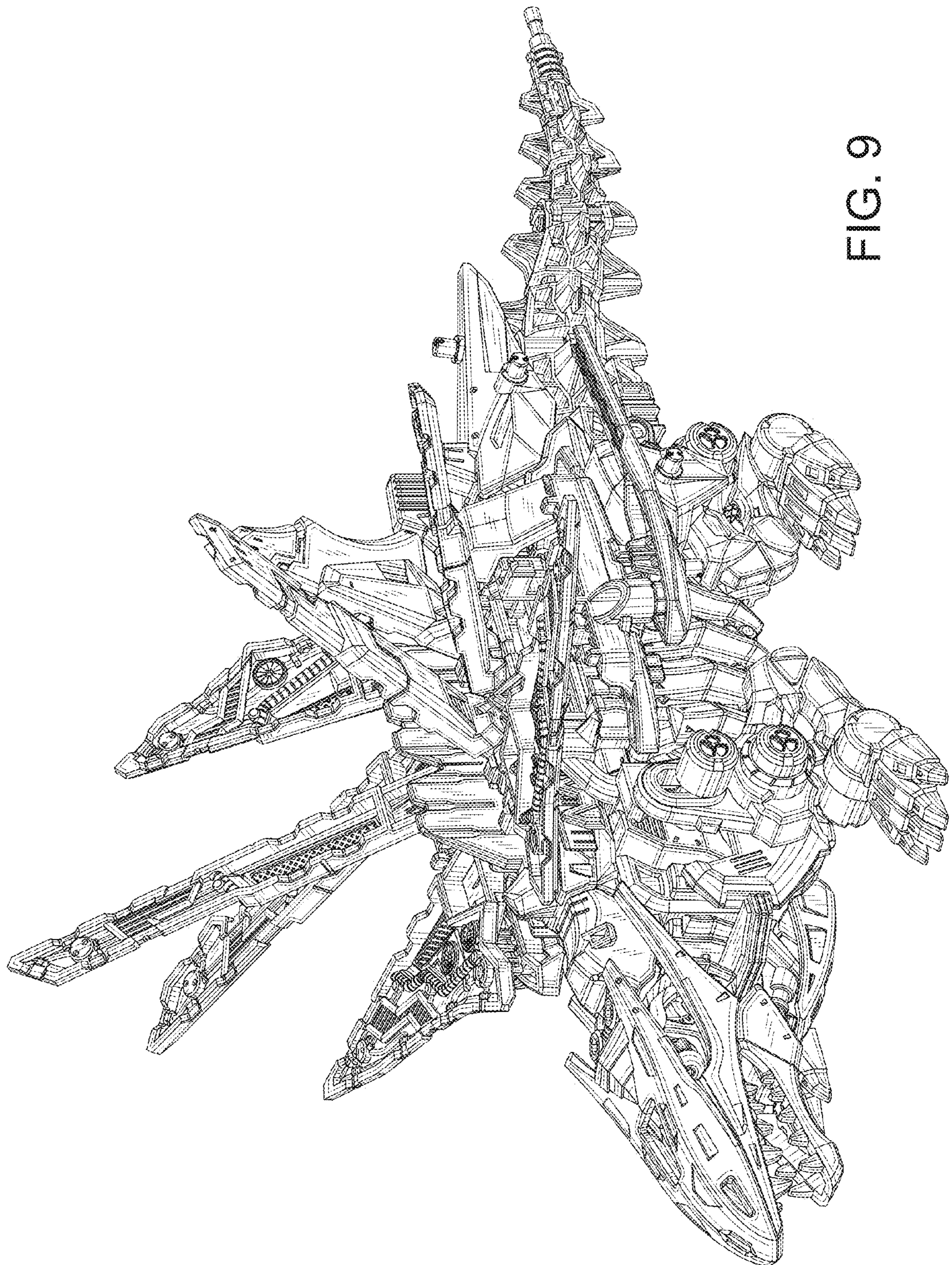


FIG. 9

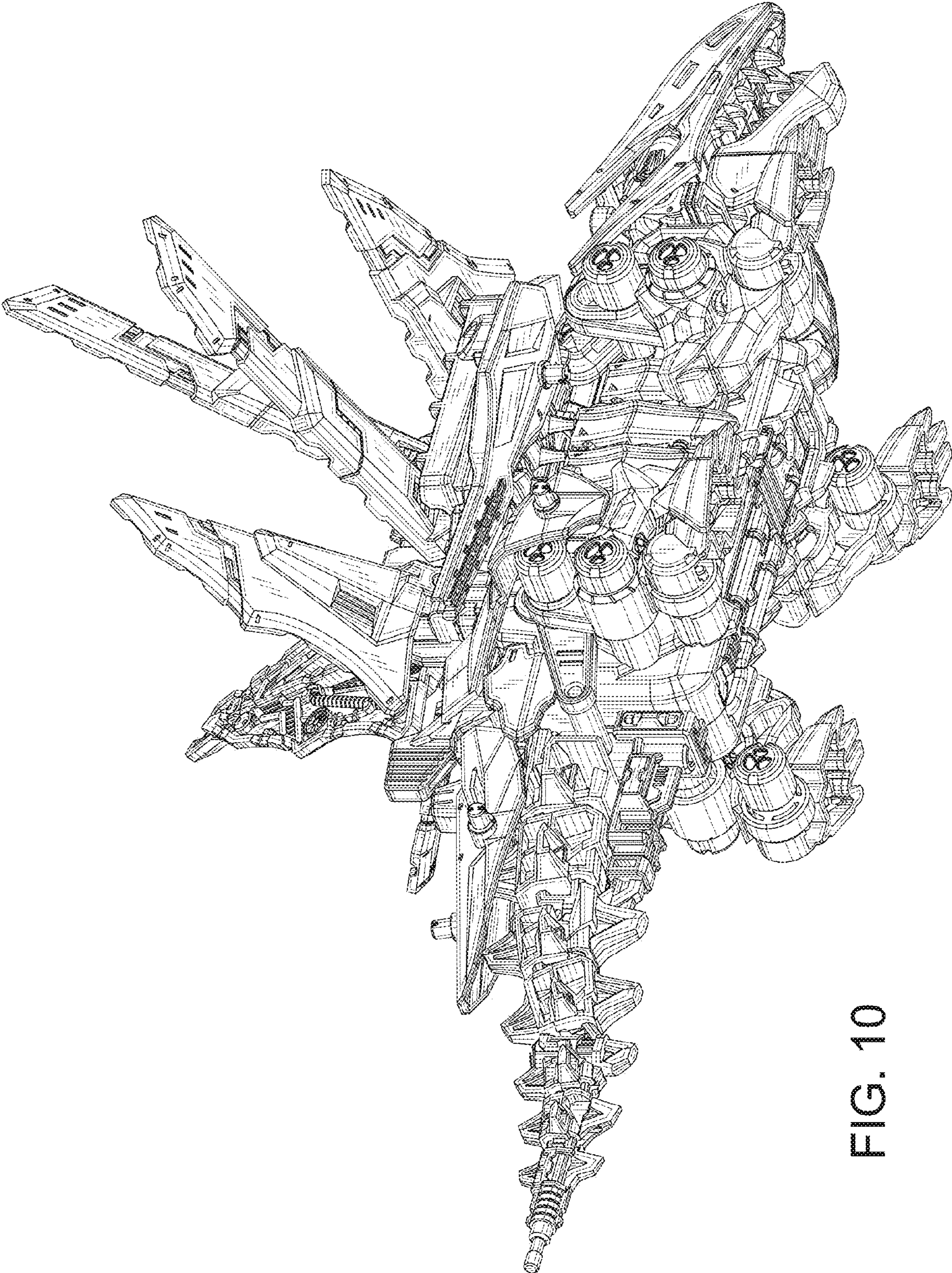


FIG. 10