



US00D886914S

(12) **United States Design Patent**  
**Hama et al.**

(10) **Patent No.:** **US D886,914 S**  
(45) **Date of Patent:** **\*\* Jun. 9, 2020**

- (54) **ACCESSORY FOR SPINNING TOP TOY**
- (71) Applicant: **TOMY COMPANY, LTD.**, Tokyo (JP)
- (72) Inventors: **Hiroyuki Hama**, Tokyo (JP); **Asami Oba**, Tokyo (JP); **Toshinobu Ishii**, Saitama (JP)
- (73) Assignee: **TOMY COMPANY, LTD.**, Tokyo (JP)
- (\*\*) Term: **15 Years**
- (21) Appl. No.: **29/684,512**
- (22) Filed: **Mar. 21, 2019**
- (30) **Foreign Application Priority Data**

Sep. 27, 2018 (JP) ..... 2018-021004

- (51) **LOC (12) Cl.** ..... **21-01**
- (52) **U.S. Cl.**  
USPC ..... **D21/460**
- (58) **Field of Classification Search**  
USPC ..... D21/455-464; 446/236-266  
CPC ..... A63H 1/00-32  
See application file for complete search history.

(56) **References Cited**

**U.S. PATENT DOCUMENTS**

D614,245 S *	4/2010	Ujita	.....	D21/460
D615,602 S *	5/2010	Nishimoto	.....	D21/460
D629,848 S *	12/2010	Ujita	.....	D21/460
D825,672 S *	8/2018	Muraki	.....	D21/460
D827,044 S *	8/2018	Horikoshi	.....	D21/460
D837,304 S *	1/2019	Horikoshi	.....	D21/460
D841,099 S *	2/2019	Matsukawa	.....	D21/460
D849,849 S *	5/2019	Muraki	.....	D21/460
D851,178 S *	6/2019	Narita	.....	D21/460

D854,628 S *	7/2019	Saito	.....	D21/460
D855,118 S *	7/2019	Saito	.....	D21/460
D855,119 S *	7/2019	Saito	.....	D21/460
D862,608 S *	10/2019	Yamasaki	.....	D21/460
D873,351 S *	1/2020	Horikoshi	.....	D21/460
2014/0302743 A1 *	10/2014	Cai	.....	A63H 1/18 446/256

**FOREIGN PATENT DOCUMENTS**

JP	6346977 B1 *	6/2018
JP	6377217 B1 *	8/2018
JP	6431629 B1 *	11/2018

\* cited by examiner

*Primary Examiner* — Catherine A Tuttle  
(74) *Attorney, Agent, or Firm* — Oliff PLC

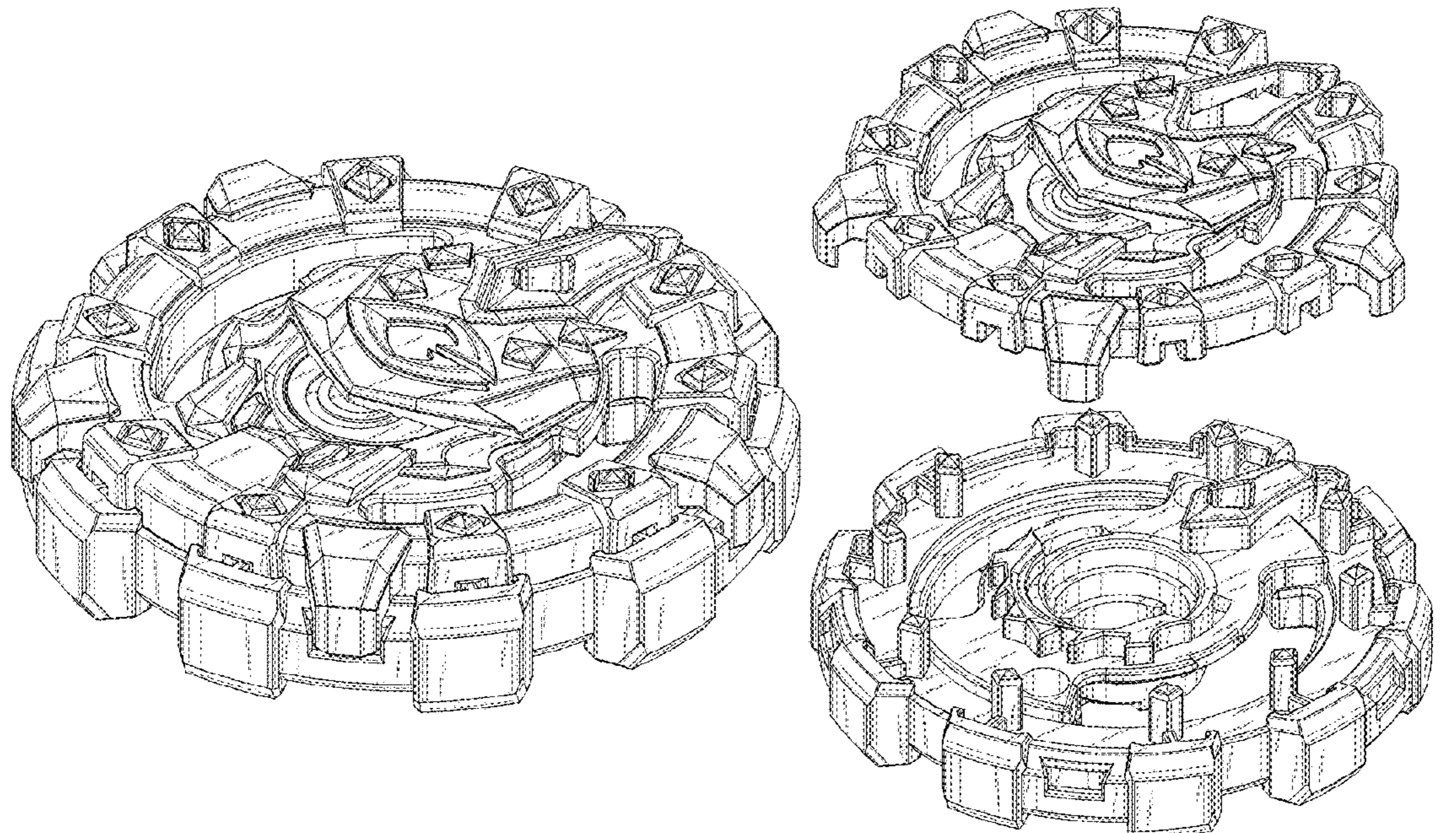
(57) **CLAIM**

The ornamental design for an accessory for spinning top toy, as shown and described.

**DESCRIPTION**

FIG. 1 is a front elevational view of the accessory for spinning top toy;  
 FIG. 2 is a rear elevational view thereof;  
 FIG. 3 is a left-side elevational view thereof;  
 FIG. 4 is a right-side elevational view thereof;  
 FIG. 5 is a top plan view thereof;  
 FIG. 6 is a bottom plan view thereof;  
 FIG. 7 is a front, top and right side perspective view thereof;  
 FIG. 8 is a disassembled front, top and right side perspective view thereof; and,  
 FIG. 9 is a disassembled rear, bottom and left side perspective view thereof.

**1 Claim, 9 Drawing Sheets**



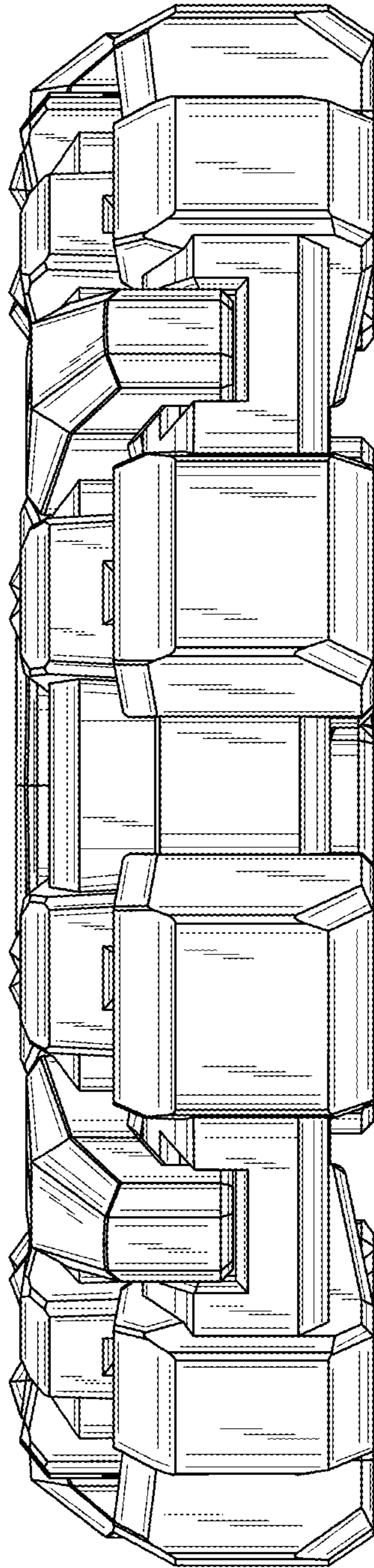


FIG.1



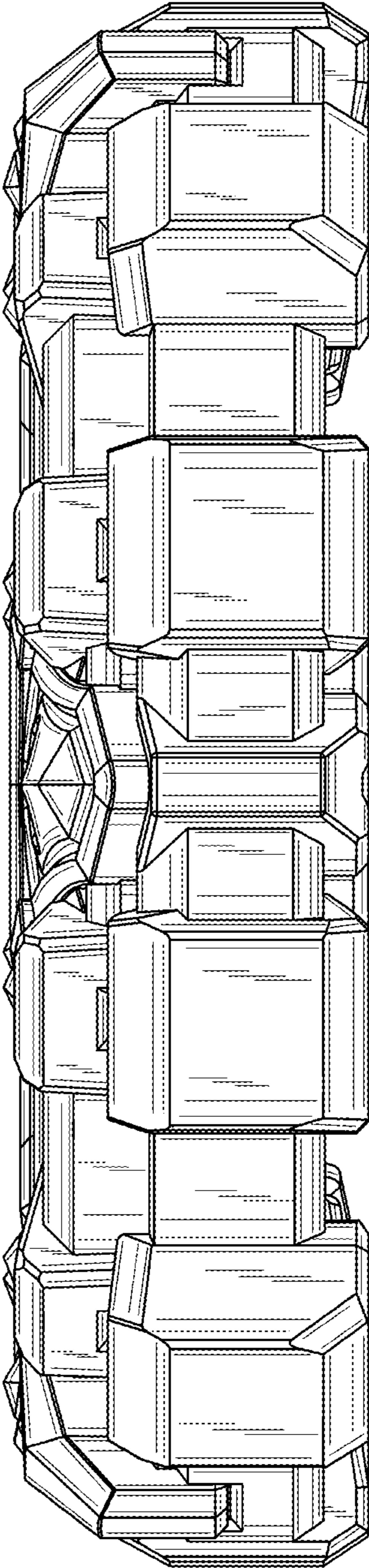
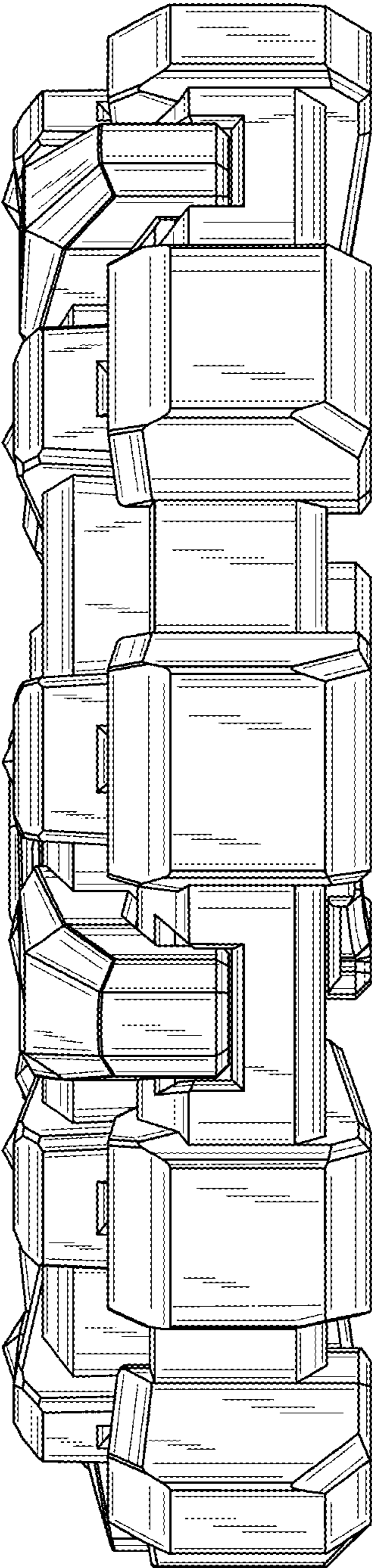


FIG.2

FIG.3



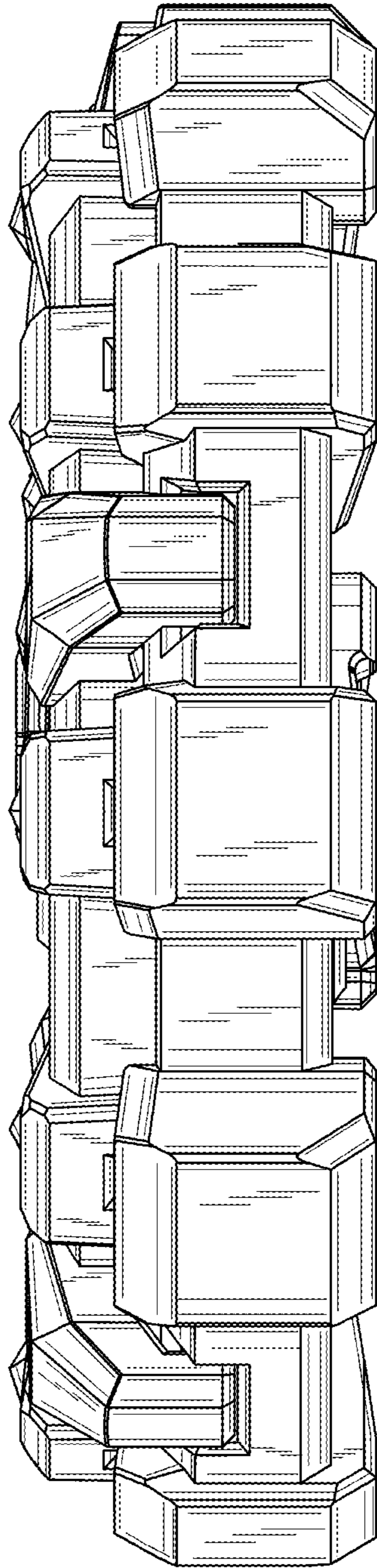


FIG.4



FIG.5

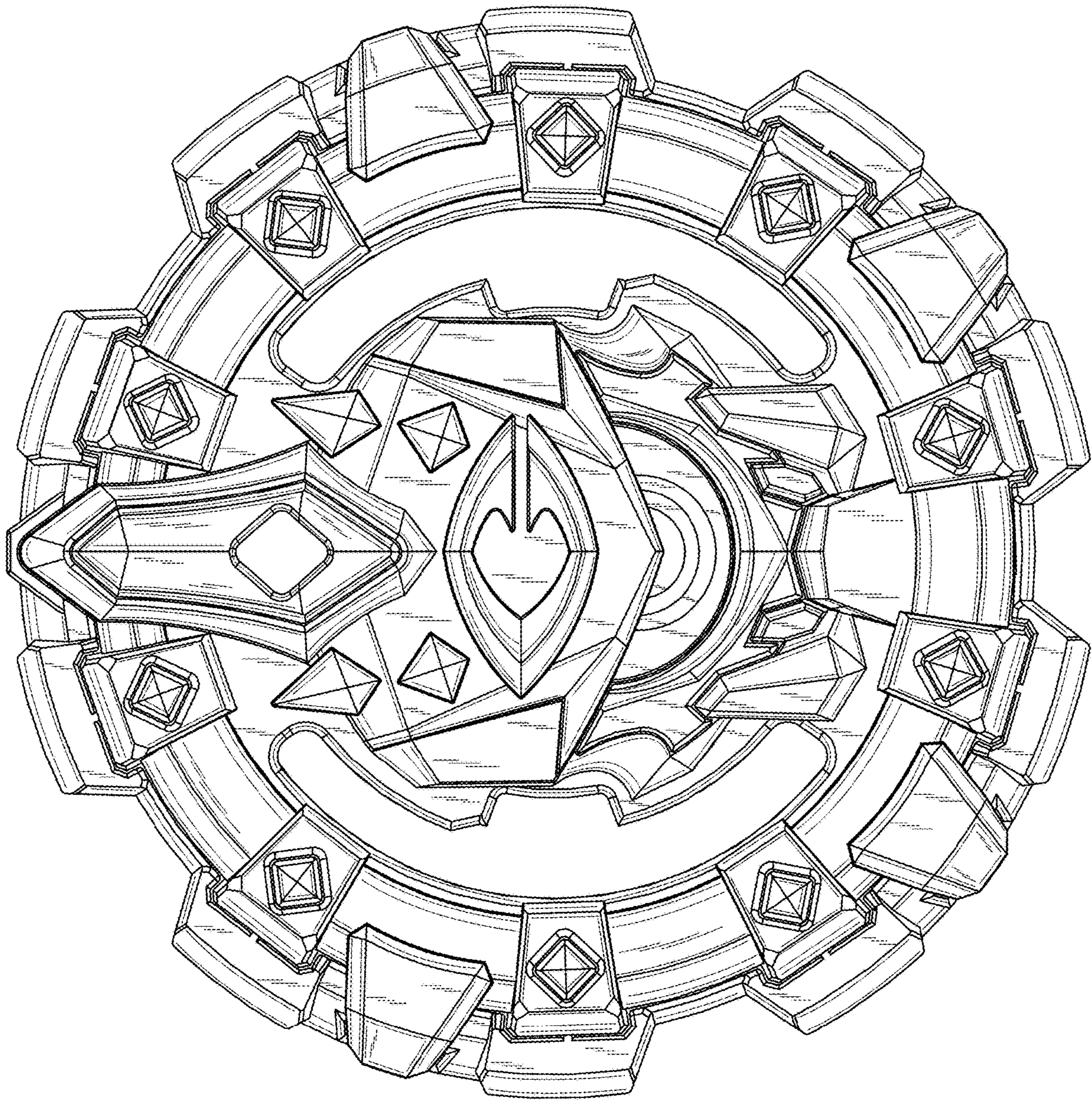
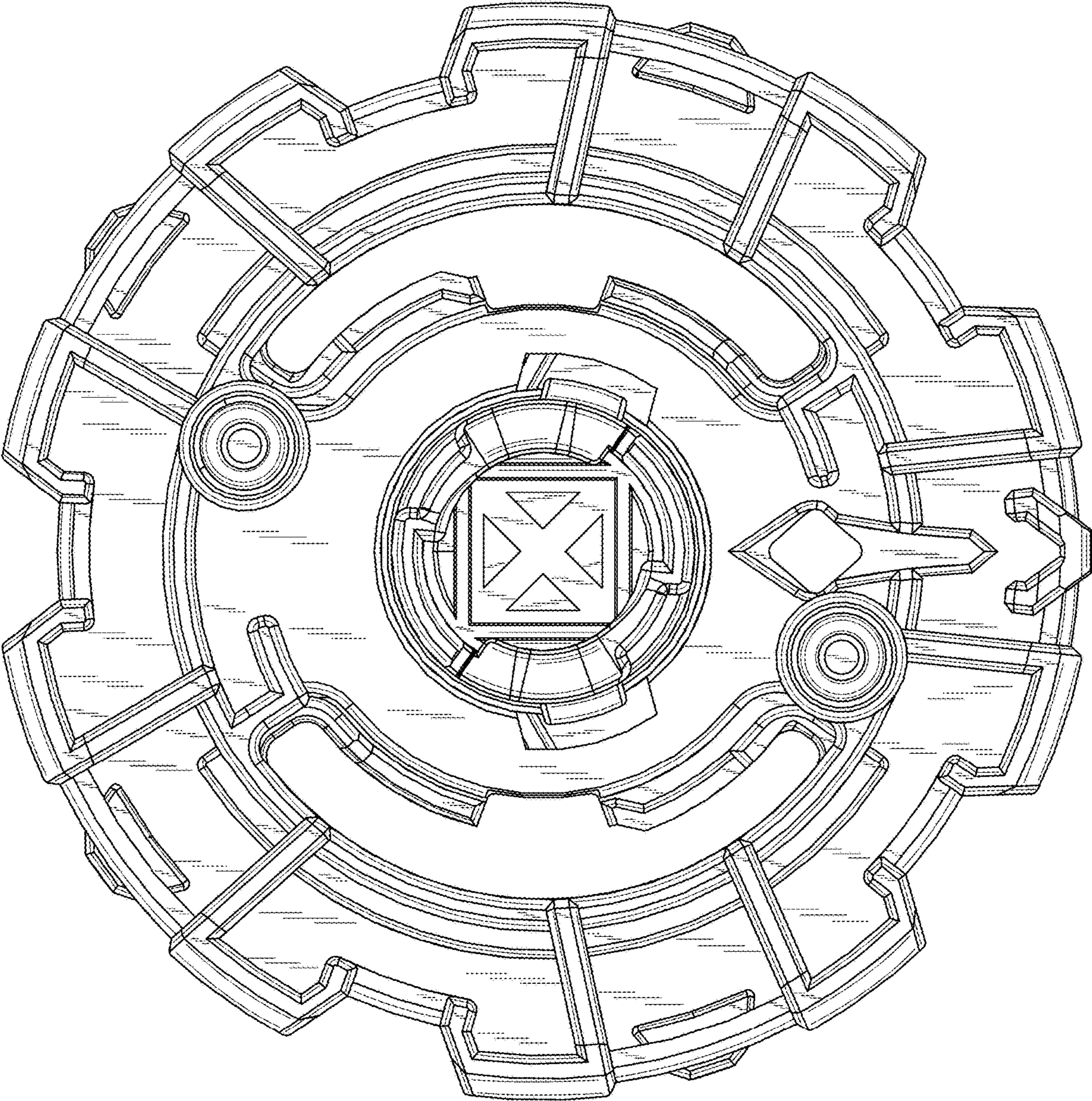




FIG.6





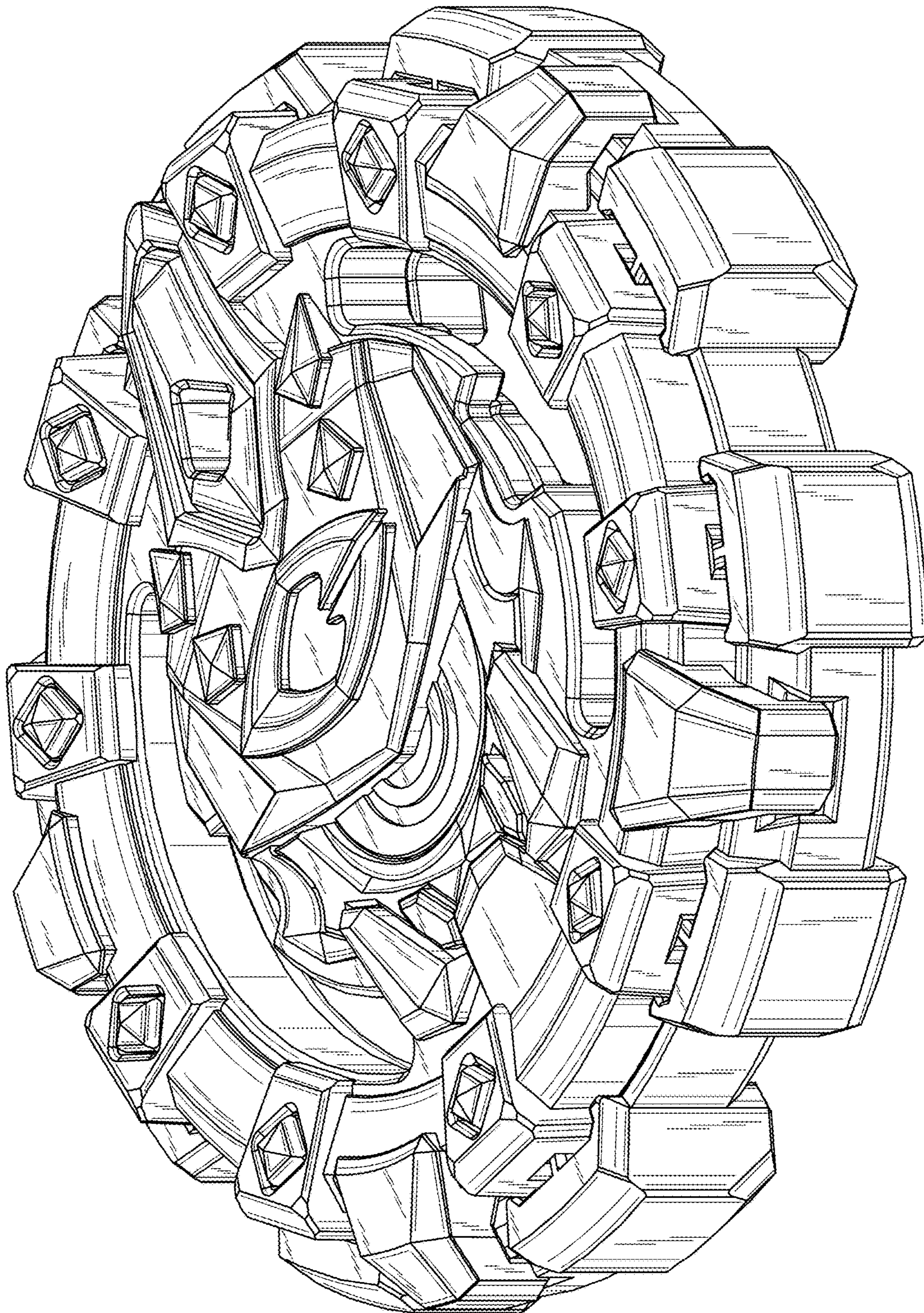


FIG.7



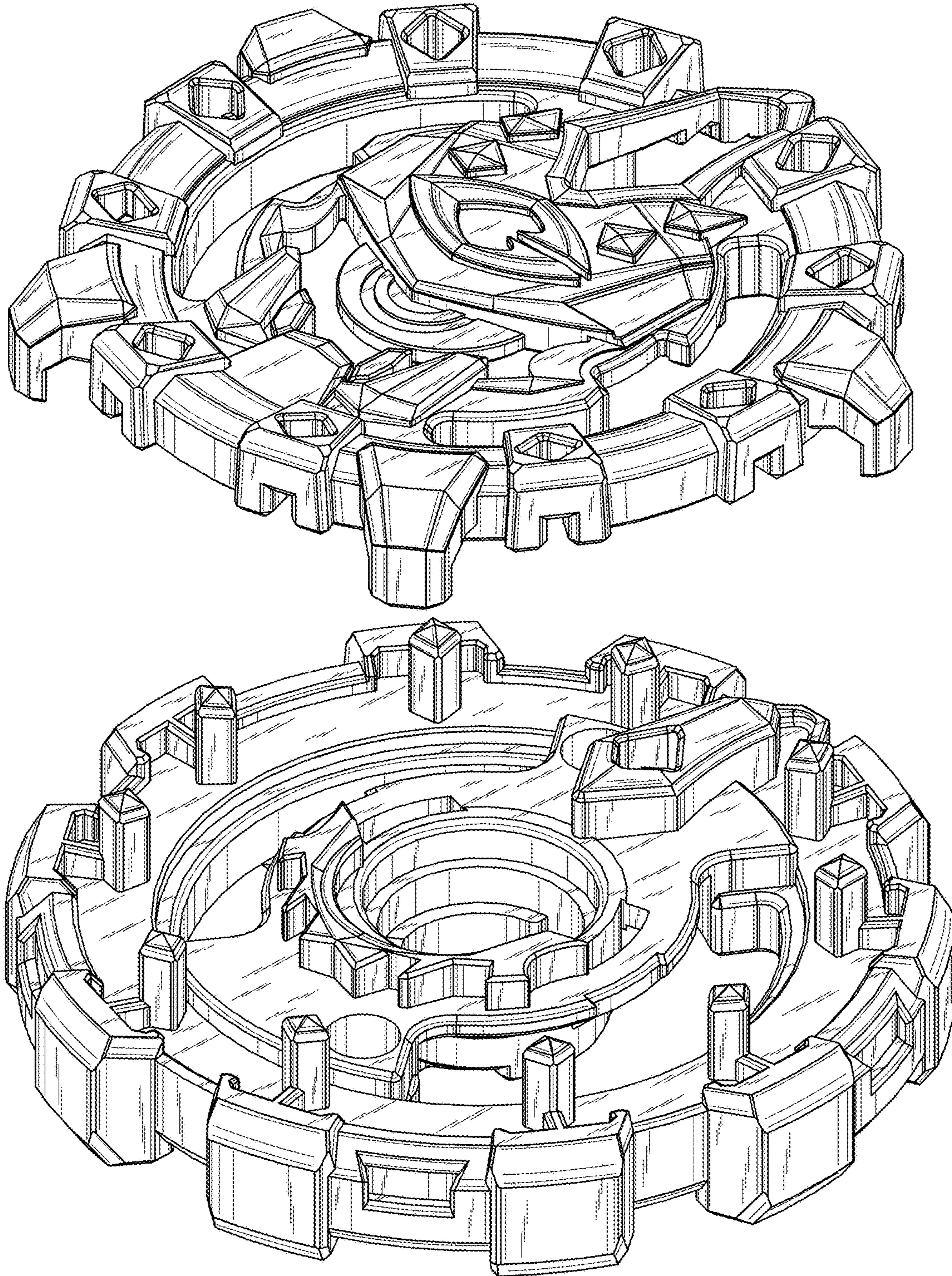


FIG.8



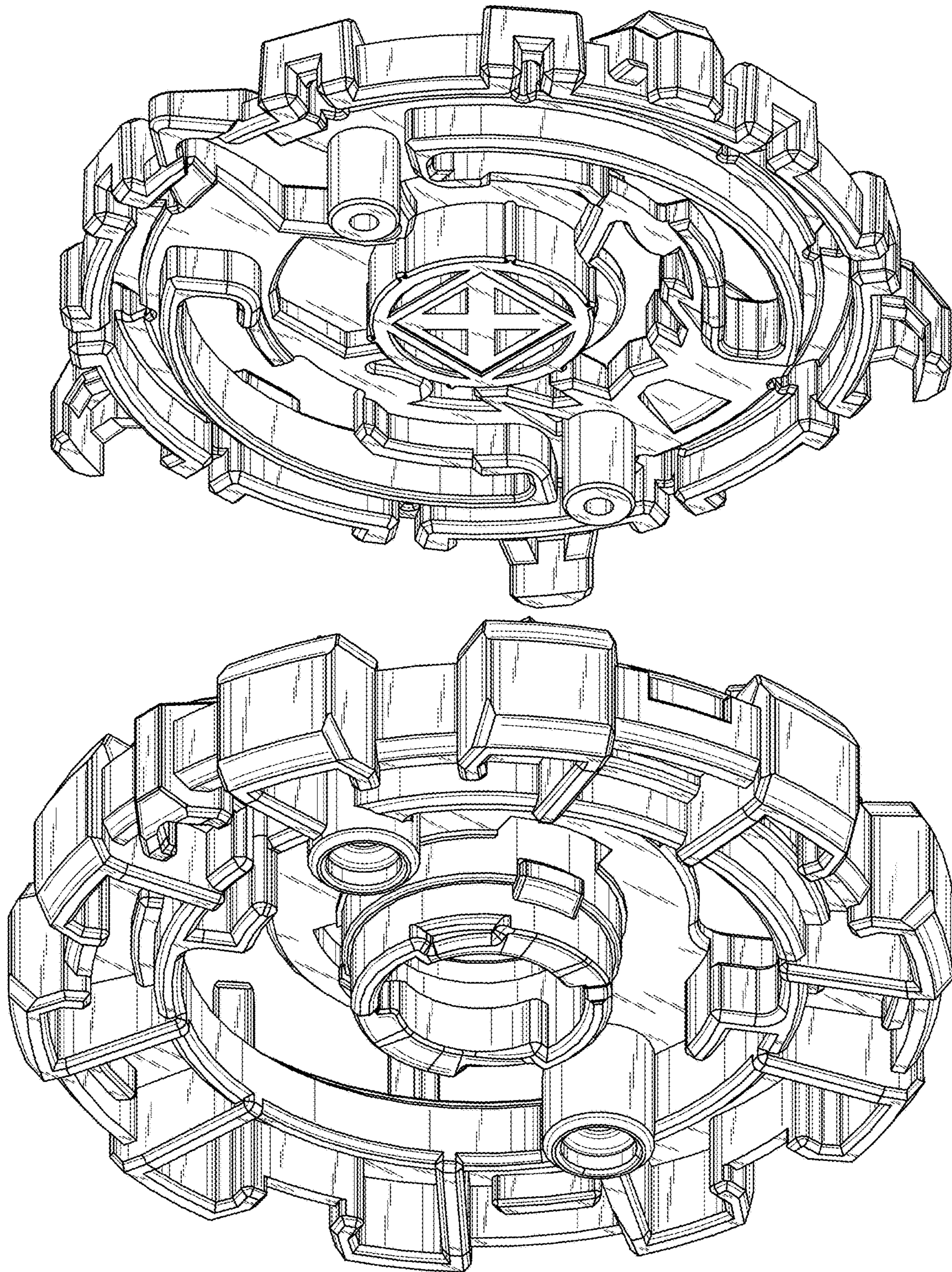


FIG.9