



US00D886910S

(12) **United States Design Patent**
Horikoshi et al.

(10) **Patent No.:** **US D886,910 S**
(45) **Date of Patent:** **** Jun. 9, 2020**

(54) **SPINNING TOP TOY**
(71) Applicant: **TOMY COMPANY, LTD.**, Tokyo (JP)
(72) Inventors: **Kenji Horikoshi**, Tokyo (JP); **Hiroyuki Matsukawa**, Tokyo (JP)
(73) Assignee: **TOMY COMPANY, LTD.**, Tokyo (JP)
(**) Term: **15 Years**

D854,095 S *	7/2019	Narita	D21/460
D854,096 S *	7/2019	Muraki	D21/460
D854,097 S *	7/2019	Muraki	D21/460
D854,626 S *	7/2019	Horikoshi	D21/460
D857,109 S *	8/2019	Muraki	D21/460
D862,604 S *	10/2019	Matsukawa	D21/460
D862,608 S *	10/2019	Yamasaki	D21/460
D866,677 S *	11/2019	Horikoshi	D21/460
D873,351 S *	1/2020	Horikoshi	D21/460
2003/0064660 A1 *	4/2003	Matsukawa	A63F 3/00895 446/256
2020/0016503 A1 *	1/2020	Horikoshi	A63H 1/04

(21) Appl. No.: **29/675,434**

(22) Filed: **Jan. 2, 2019**

(30) **Foreign Application Priority Data**

Jul. 3, 2018 (JP) 2018-014671

(51) **LOC (12) Cl.** **21-01**

(52) **U.S. Cl.**
USPC **D21/460**

(58) **Field of Classification Search**
USPC D21/455-464; 446/236-266
CPC A63H 1/00-32
See application file for complete search history.

(56) **References Cited**

U.S. PATENT DOCUMENTS

D666,252 S *	8/2012	Ujita	D21/460
D666,253 S *	8/2012	Ujita	D21/460
D667,894 S *	9/2012	Horikoshi	D21/460
D825,670 S *	8/2018	Muraki	D21/460
D827,043 S *	8/2018	Muraki	D21/460
D834,102 S *	11/2018	Muraki	D21/460
D834,103 S *	11/2018	Horikoshi	D21/460
D835,724 S *	12/2018	Muraki	D21/460
D837,899 S *	1/2019	Narita	D21/460
D841,099 S *	2/2019	Matsukawa	D21/460
D843,489 S *	3/2019	Horikoshi	D21/460
D846,655 S *	4/2019	Horikawa	D21/460
D846,656 S *	4/2019	Horikoshi	D21/460

FOREIGN PATENT DOCUMENTS

JP	3160657 U *	7/2010	A63H 1/00
JP	6232112 B1 *	11/2017	A63H 1/00
JP	6258541 B1 *	1/2018	A63H 1/04

* cited by examiner

Primary Examiner — Catherine A Tuttle

(74) *Attorney, Agent, or Firm* — Oliff PLC

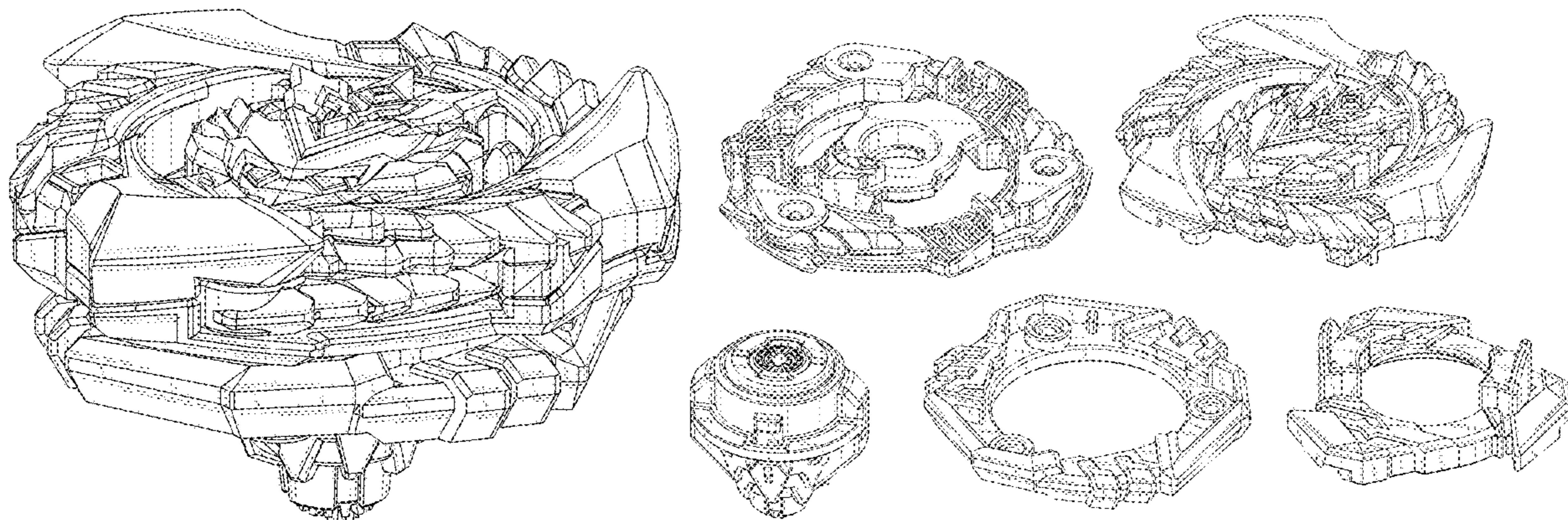
(57) **CLAIM**

The ornamental design for a spinning top toy, as shown and described.

DESCRIPTION

FIG. 1 is a front elevational view of the spinning top toy; FIG. 2 is a rear elevational view thereof; FIG. 3 is a left-side elevational view thereof; FIG. 4 is a right-side elevational view thereof; FIG. 5 is a top plan view thereof; FIG. 6 is a bottom plan view thereof; FIG. 7 is a front, top and right side perspective view thereof; FIG. 8 is a disassembled front, top and right side perspective view thereof; and, FIG. 9 is a disassembled rear, bottom and left side perspective view thereof.

1 Claim, 9 Drawing Sheets



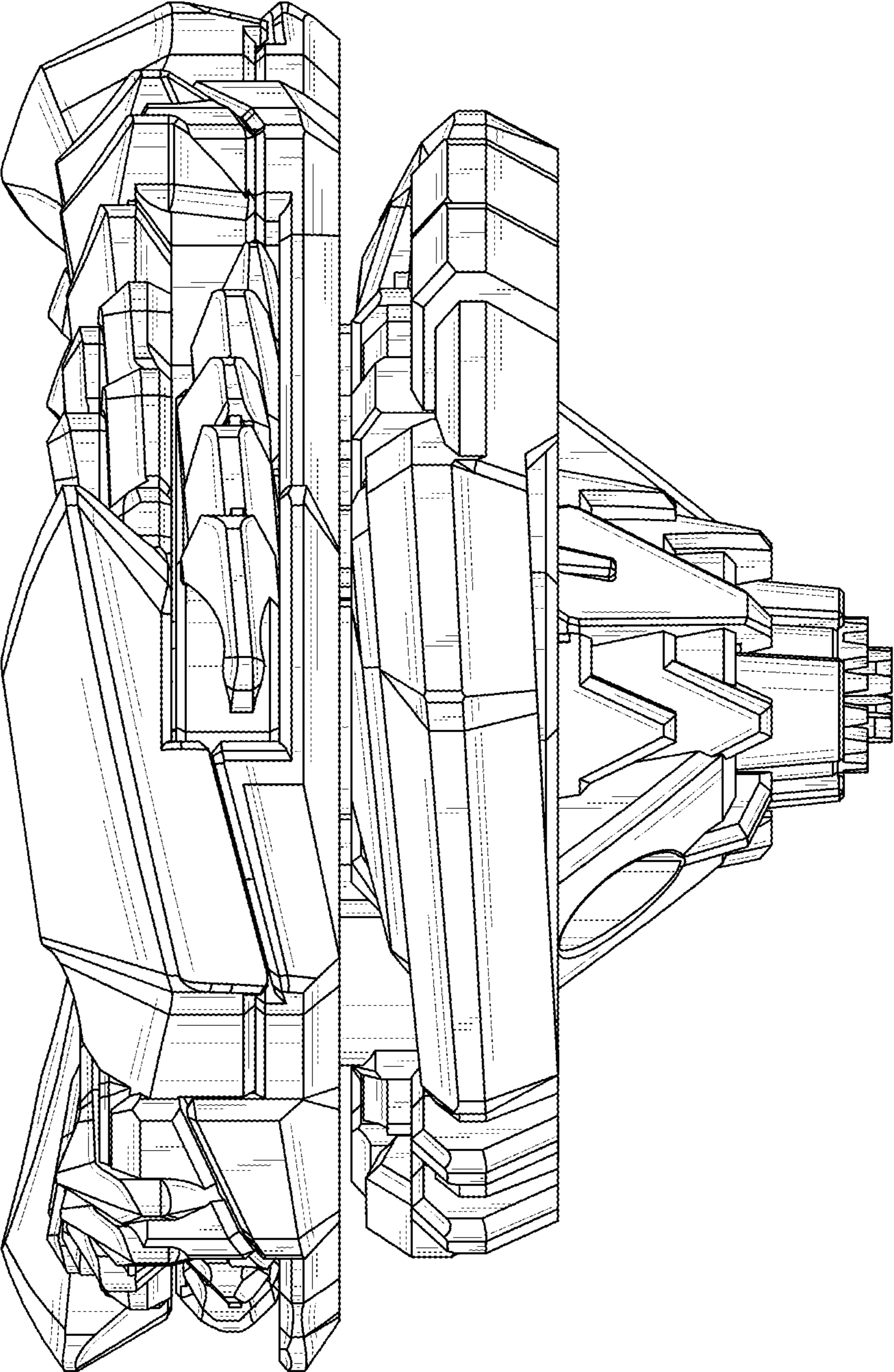


FIG. 1

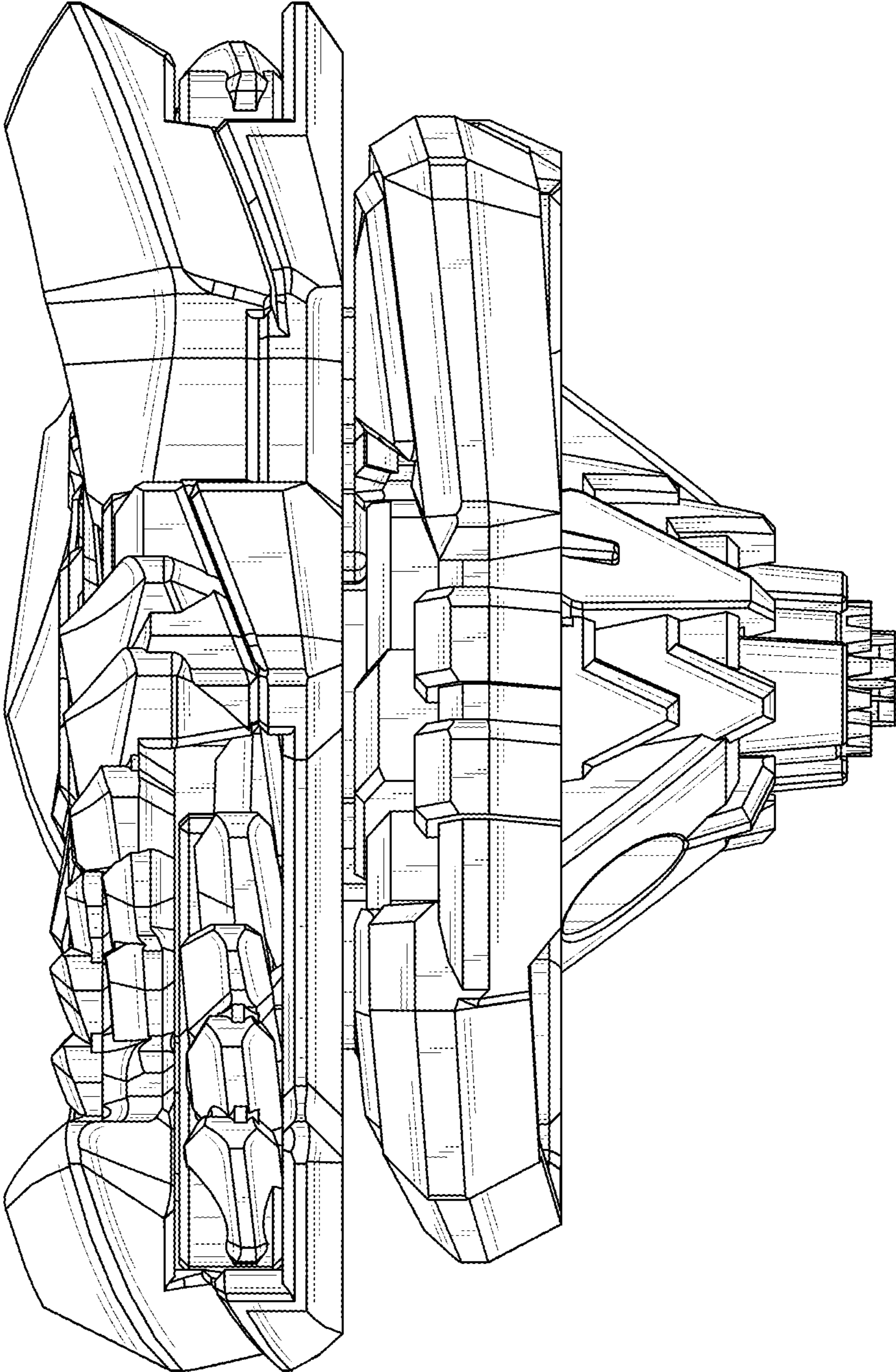


FIG. 2

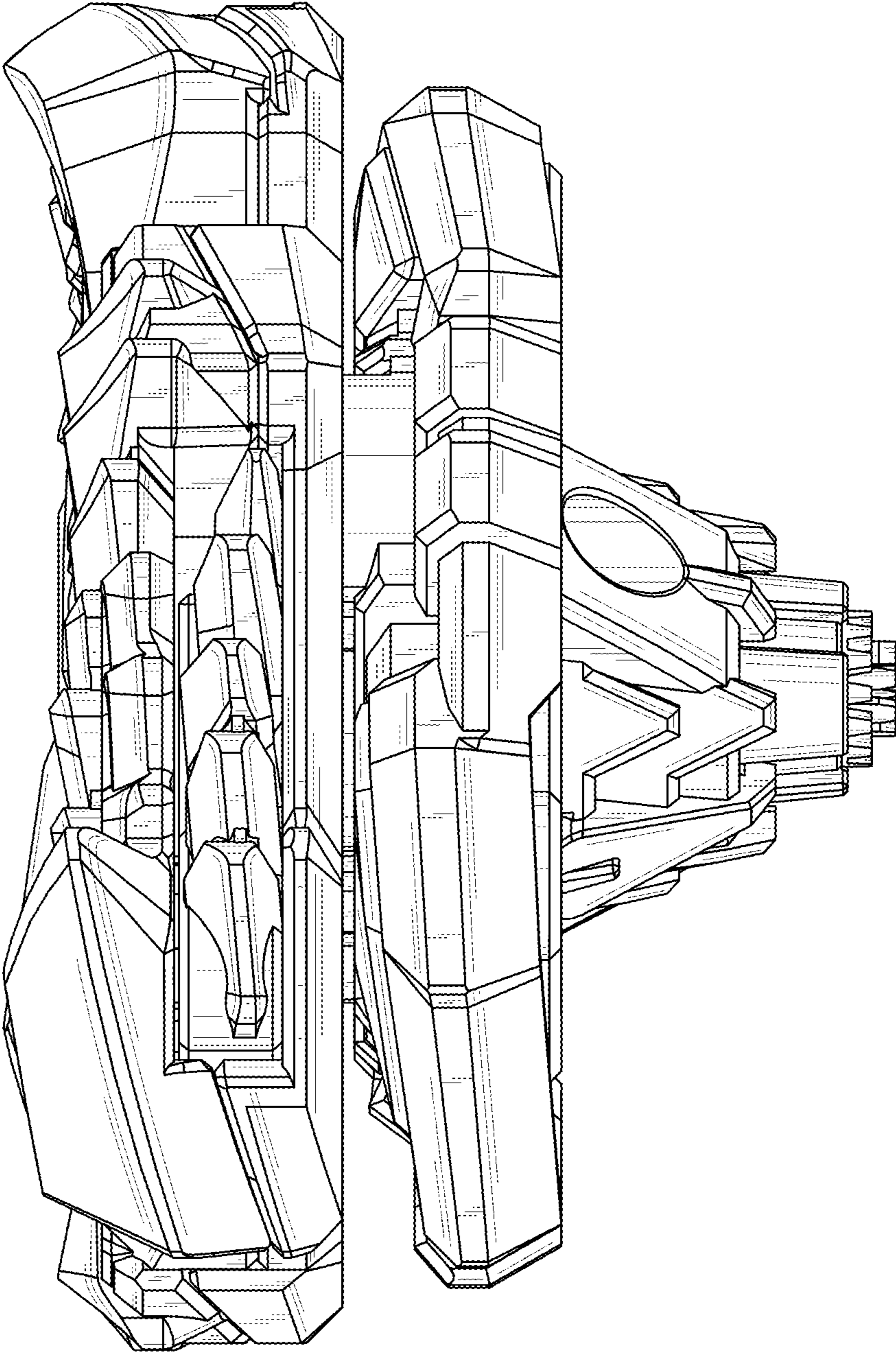


FIG. 3

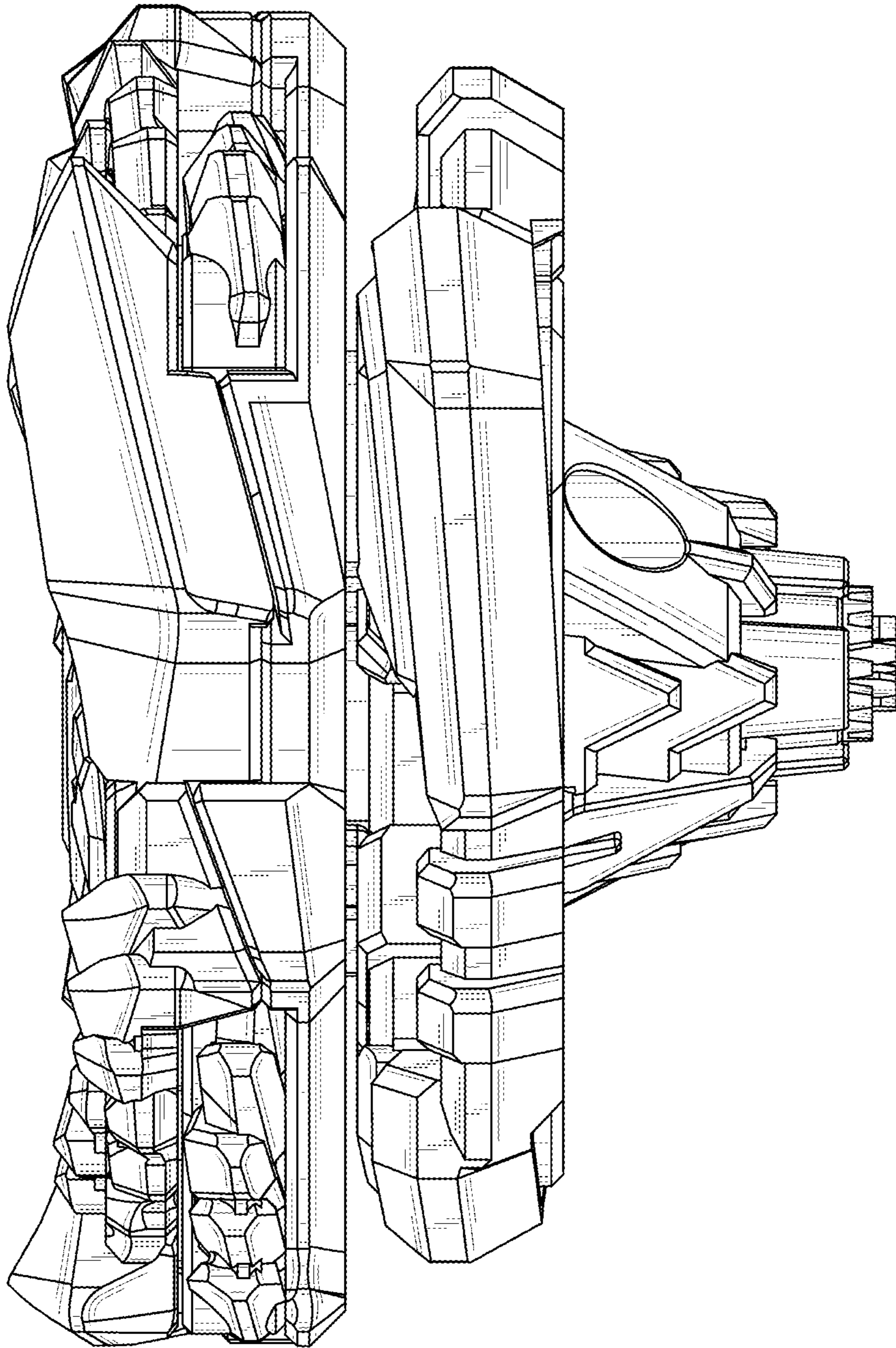


FIG. 4

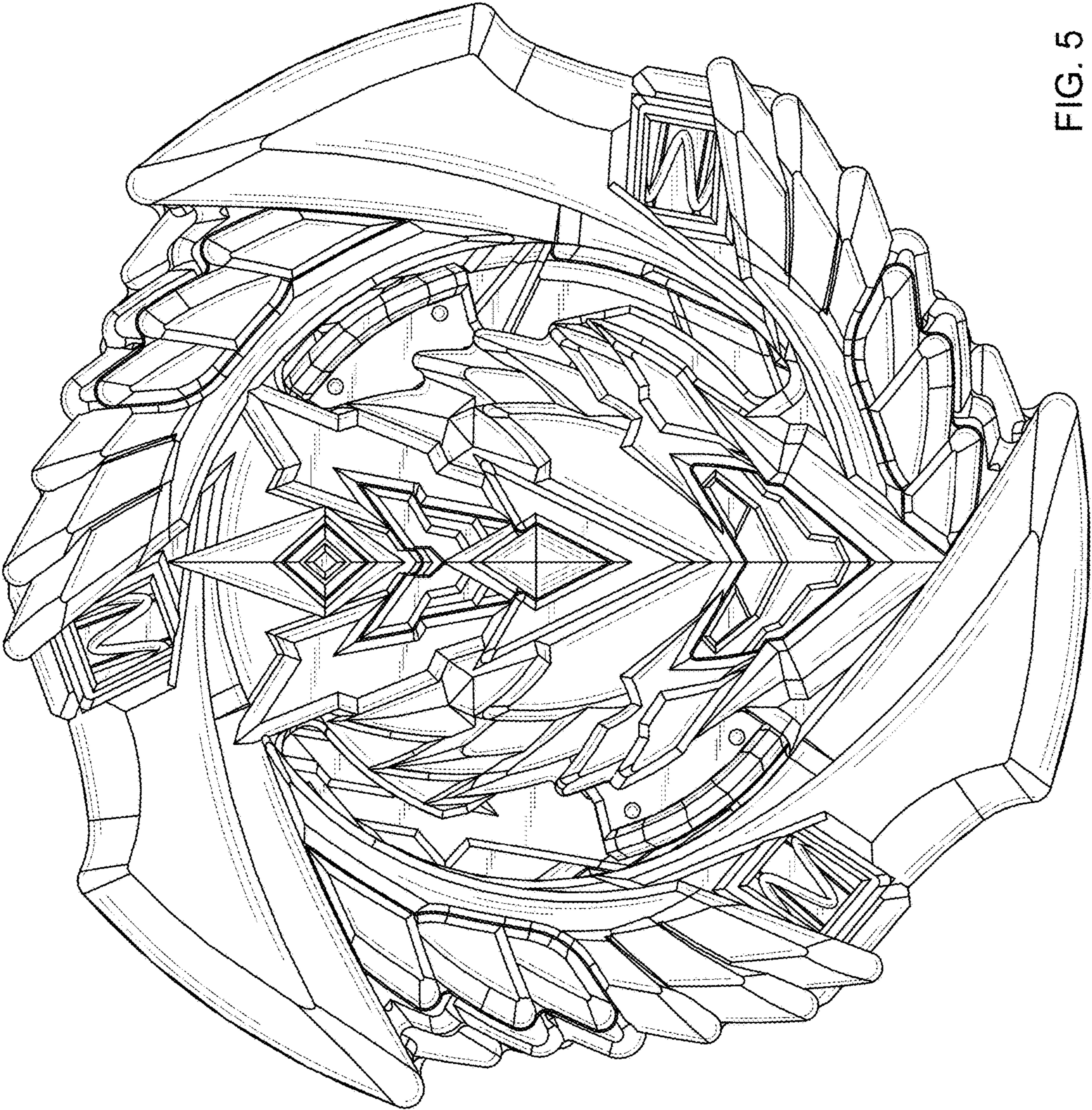


FIG. 5

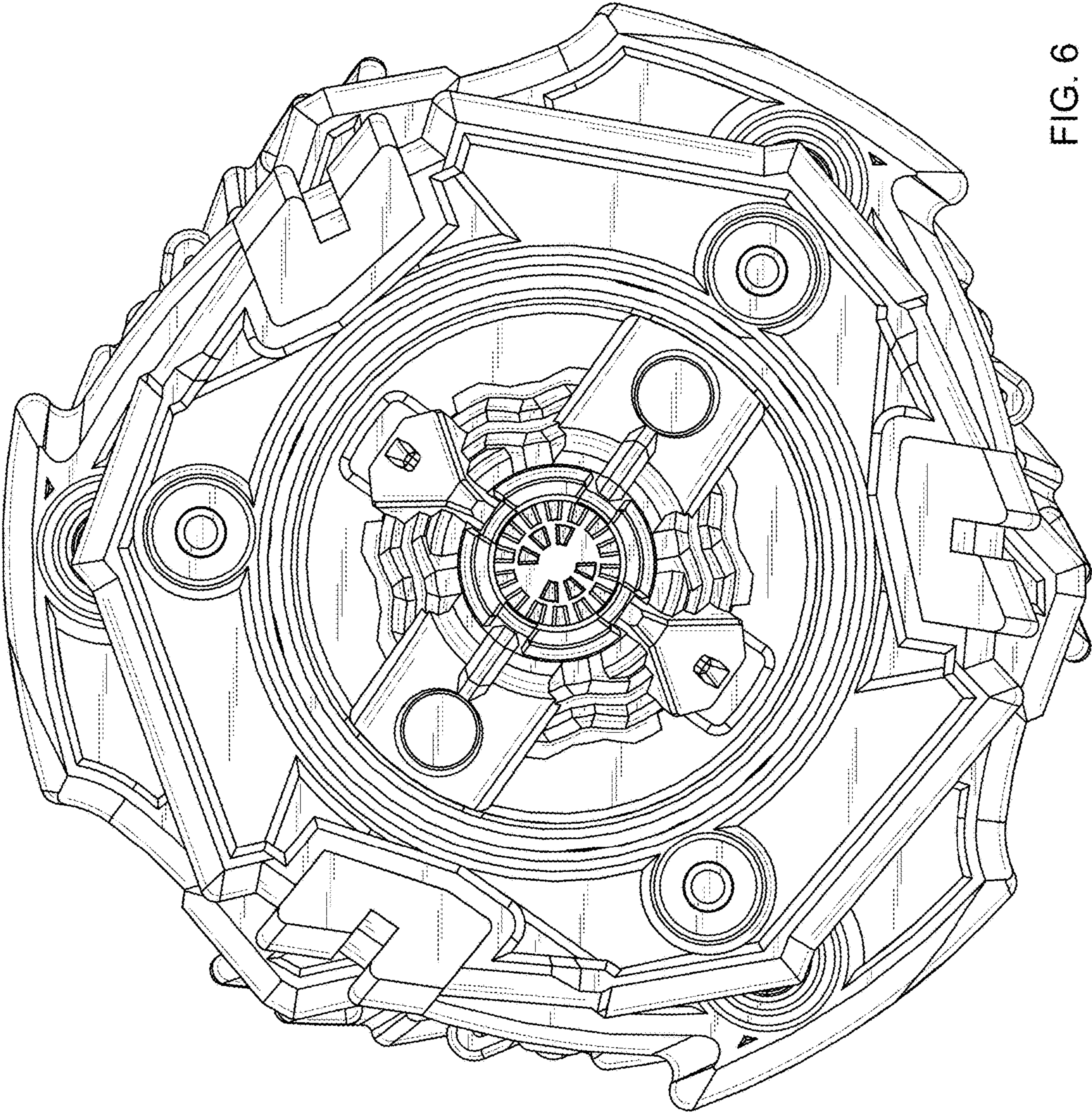


FIG. 6

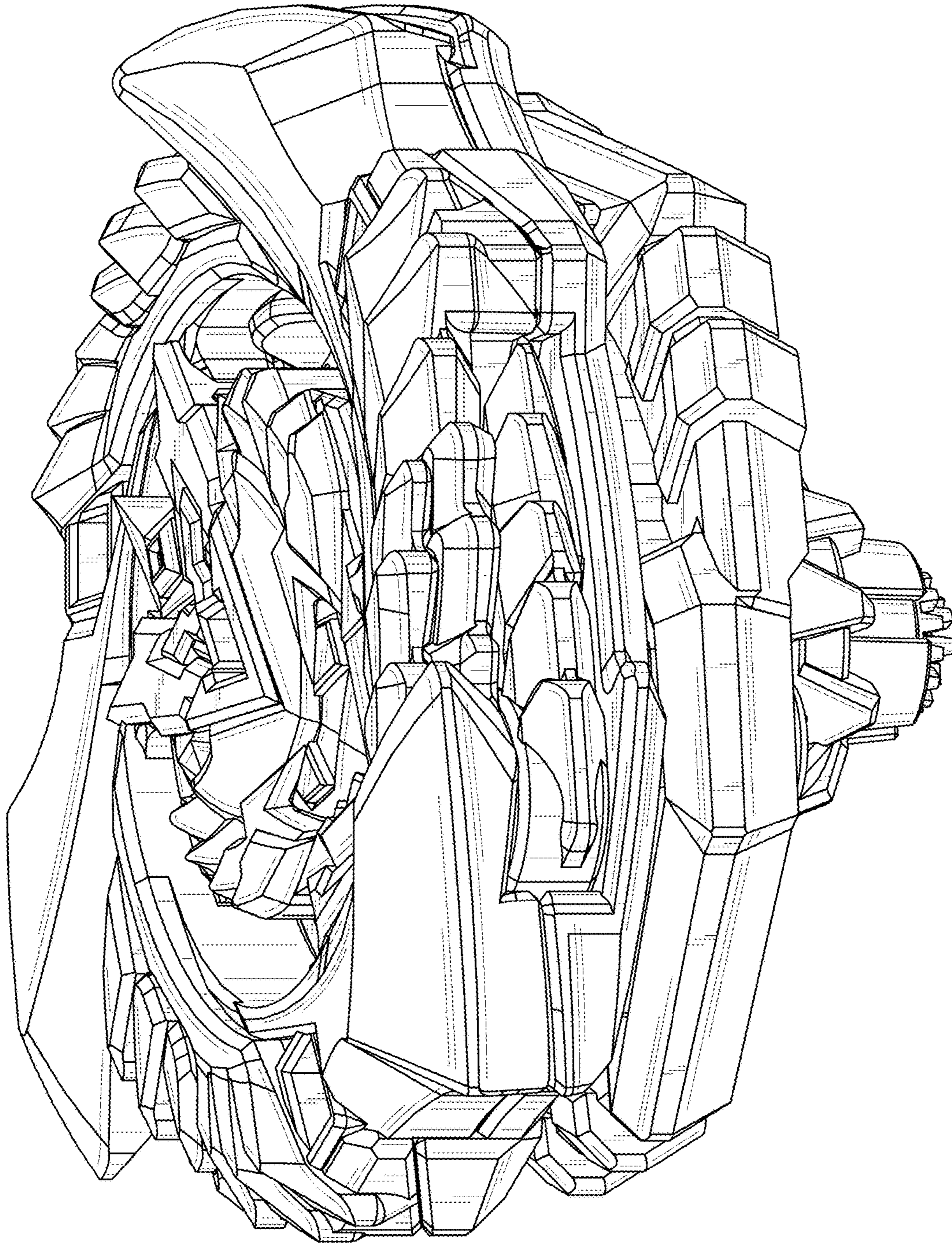


FIG. 7

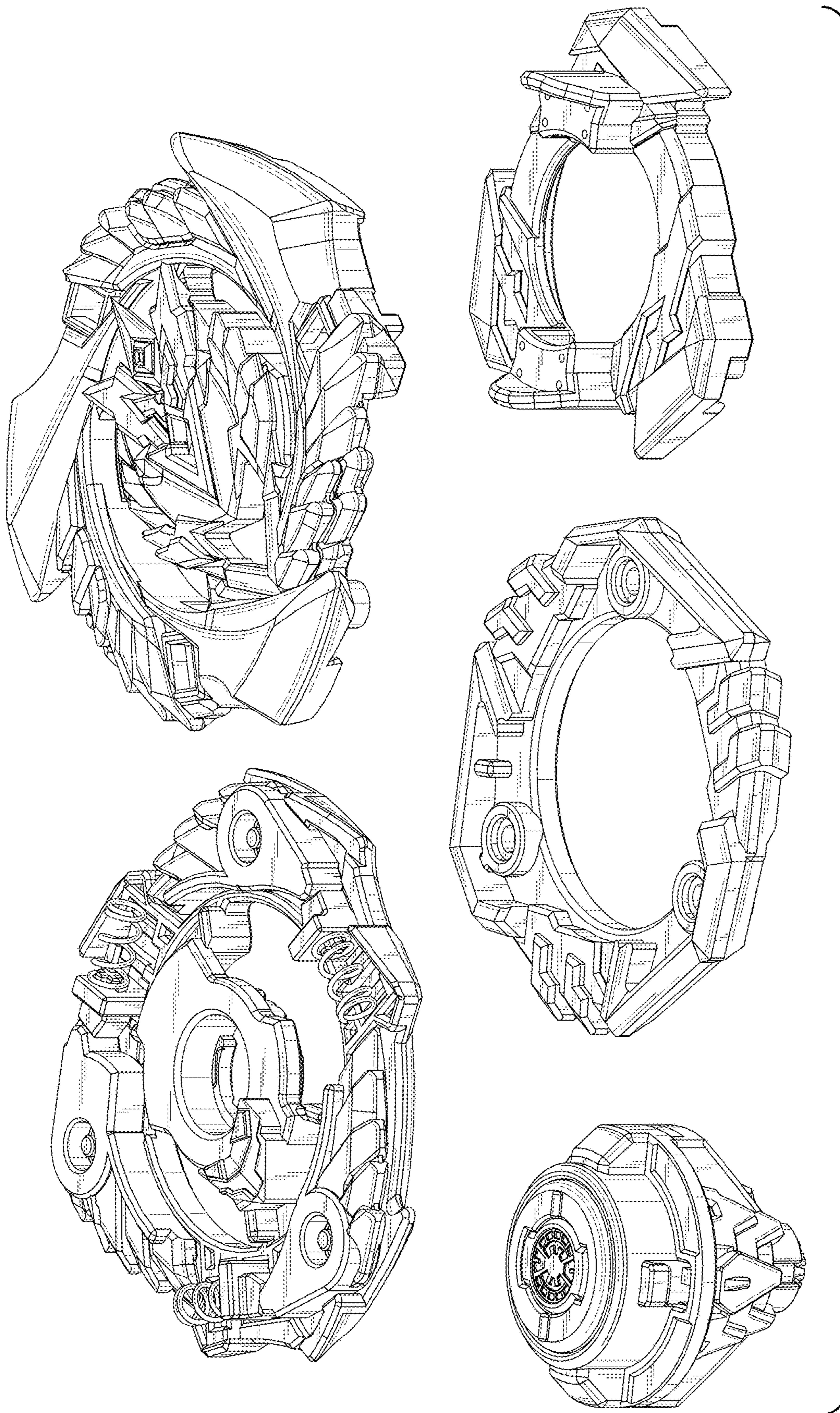


FIG. 8

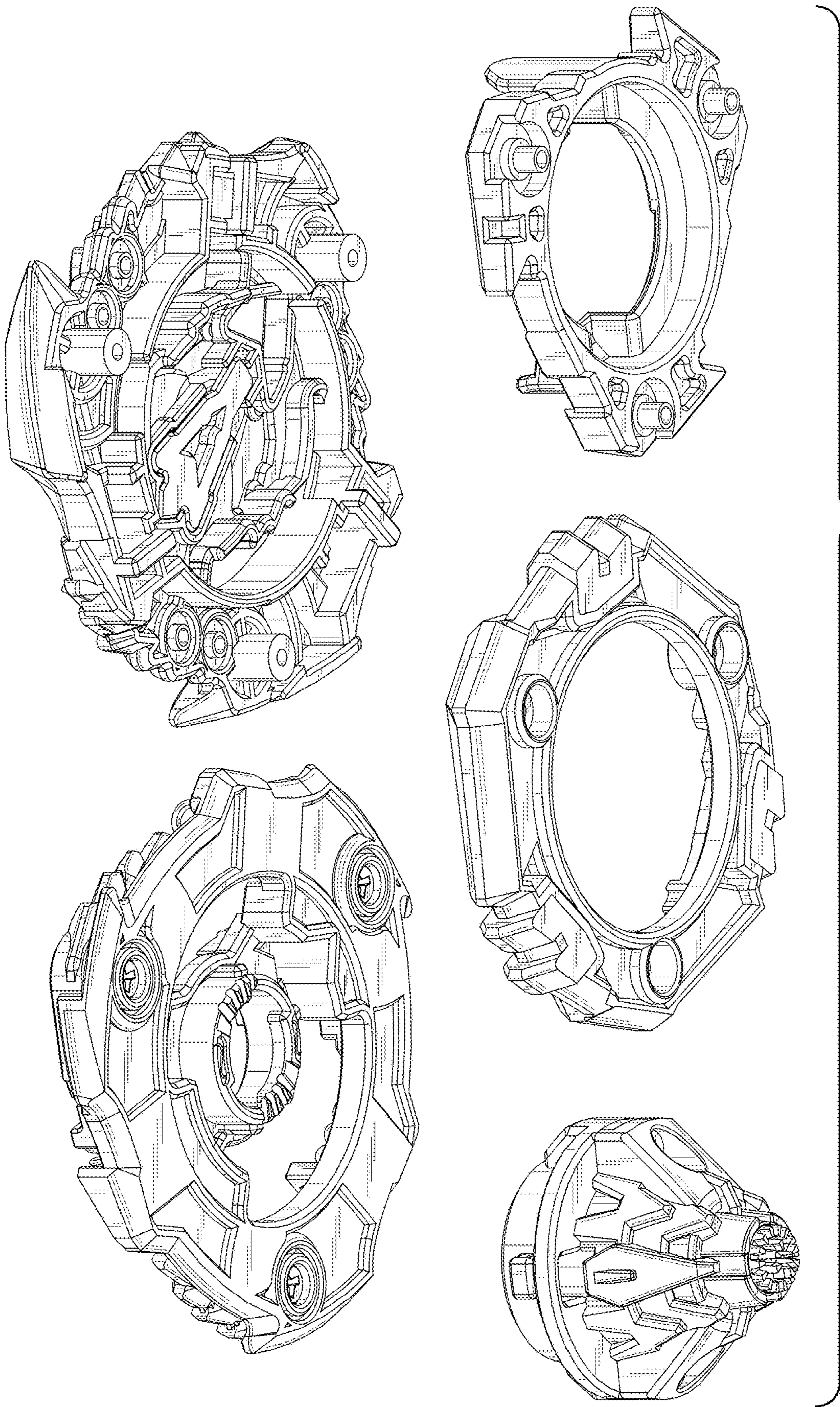


FIG. 9